

[54] **BASKET**
[75] **Inventor: Arthur R. Carlson, Rowville, Australia**
[73] **Assignee: The Decor Corporation Proprietary Limited, Victoria, Australia**
[**] **Term: 14 Years**
[21] **Appl. No.: 867,271**
[22] **Filed: May 23, 1986**

[30] **Foreign Application Priority Data**
Dec. 24, 1985 [AU] Australia 3745/85
[52] **U.S. Cl. D9/414**
[58] **Field of Search D34/40-46;**
D9/425, 432, 456, 341, 424, 443; D32/53;
206/44 R, 44 K, 203, 162, 503, 515, 510, 518,
519, 506, 563, 822; 220/19, 83, DIG. 12, DIG.
13

[56] **References Cited**
U.S. PATENT DOCUMENTS
D. 222,684 11/1971 Tarrasa D32/53

D. 265,711 8/1982 Dunden D34/40
3,057,508 10/1962 Kimbrough, Jr. 220/83
3,383,009 5/1968 Weikert 206/506
3,756,451 9/1973 Popeil D32/53
3,791,547 2/1974 Branscum 206/563

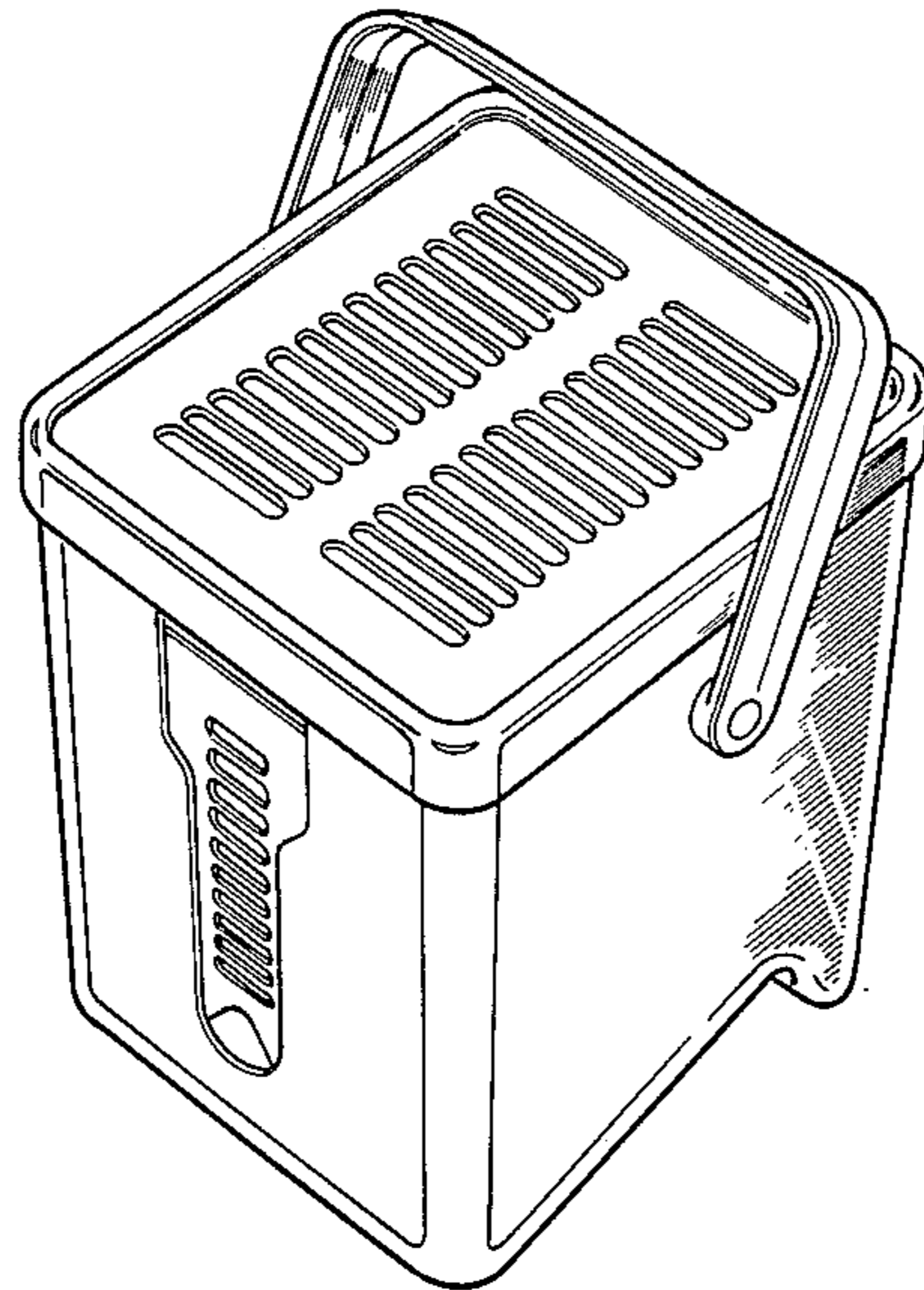
Primary Examiner—Bernard Ansher
Assistant Examiner—Prabhakar Deshmukh
Attorney, Agent, or Firm—Richard Bushnell

[57] **CLAIM**

The ornamental design for a basket, as shown and described.

DESCRIPTION

FIG. 1 is a front perspective of a basket showing my new design;
FIG. 2 is a rear perspective of thereof;
FIG. 3 is a front perspective thereof, in open position with parts separated;
FIG. 4 is a top plan view thereof;
FIG. 5 is a right side elevation thereof, the left side elevation being a mirror image of the right side elevation;
FIG. 6 is a front elevation thereof;
FIG. 7 is a bottom plan view thereof.



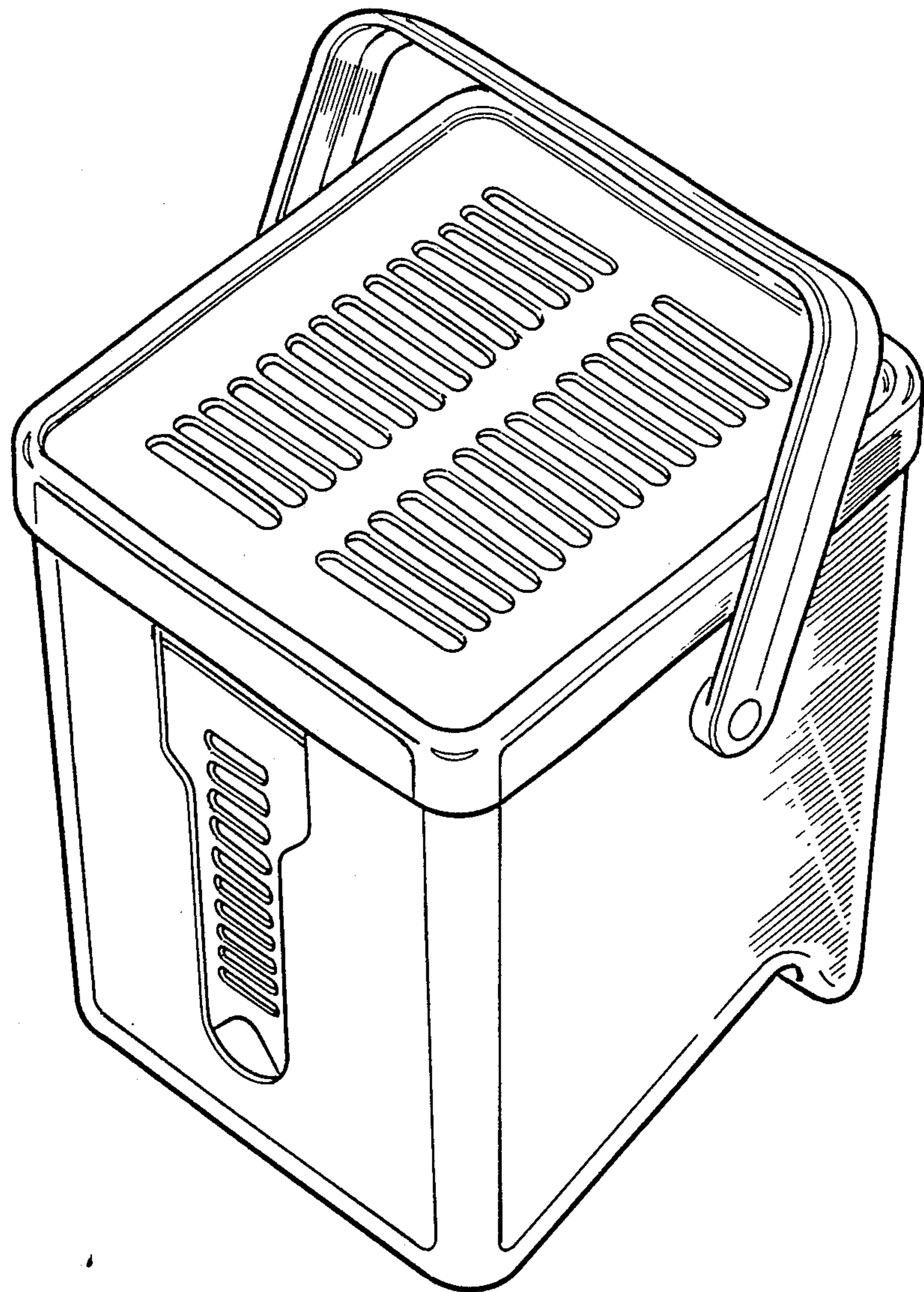


FIG. 1.

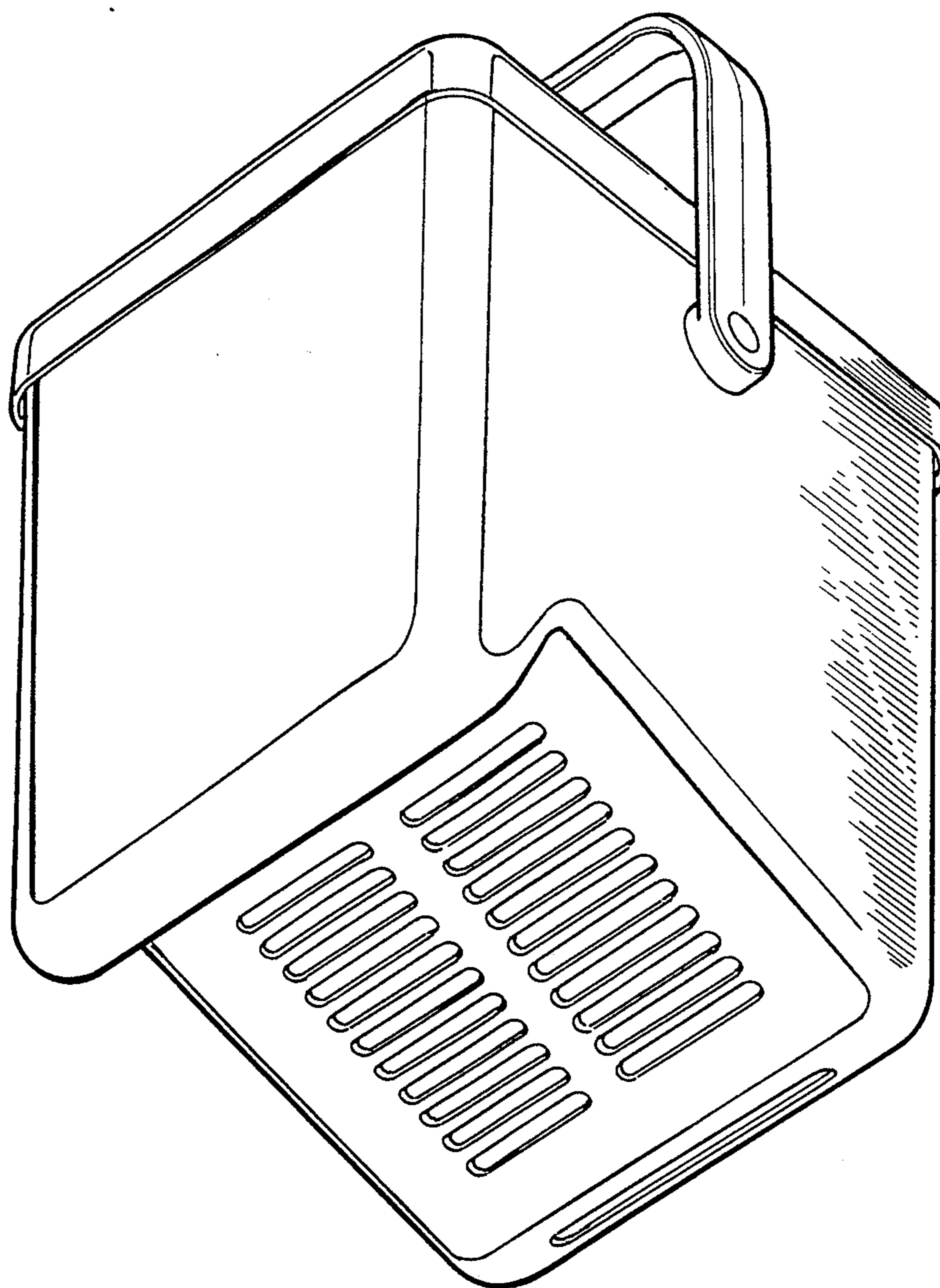
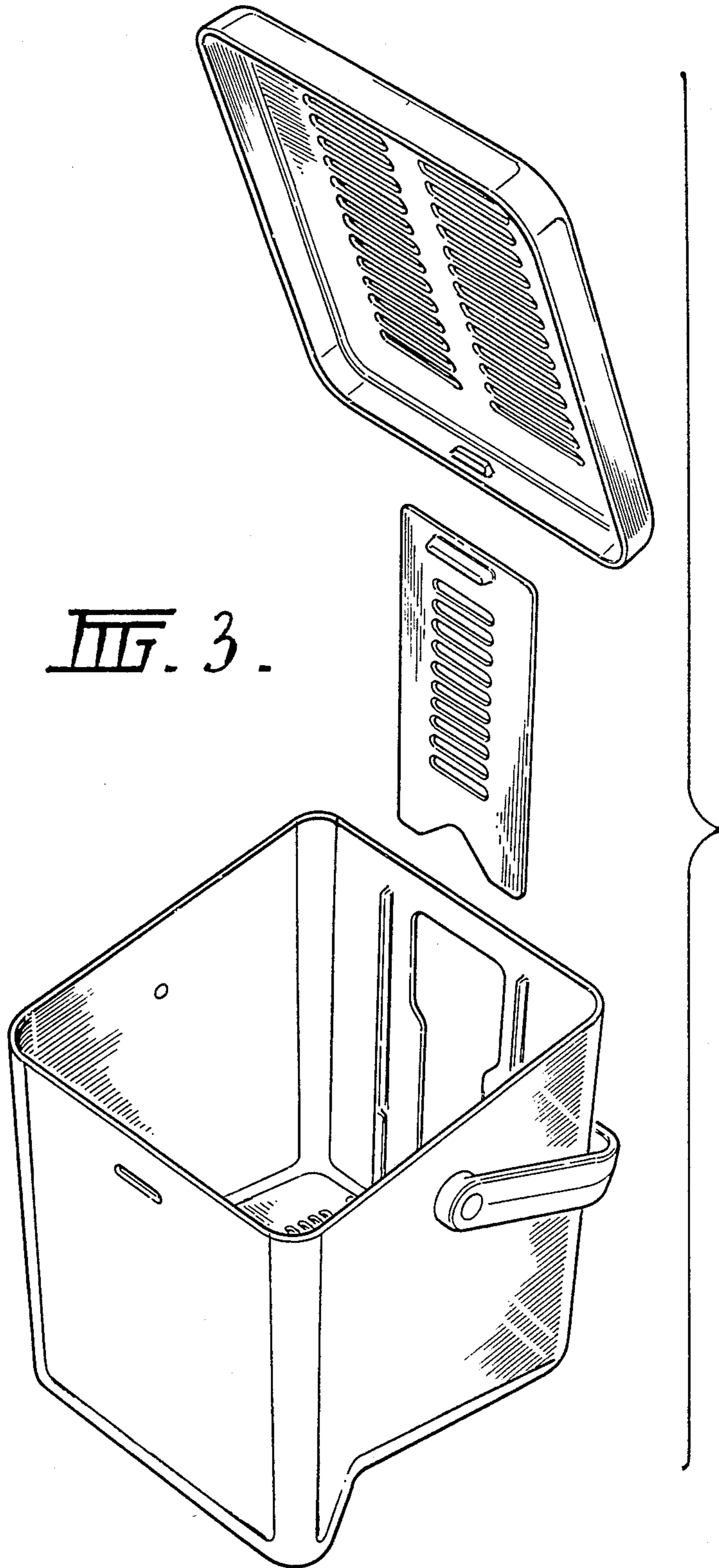


FIG. 2.



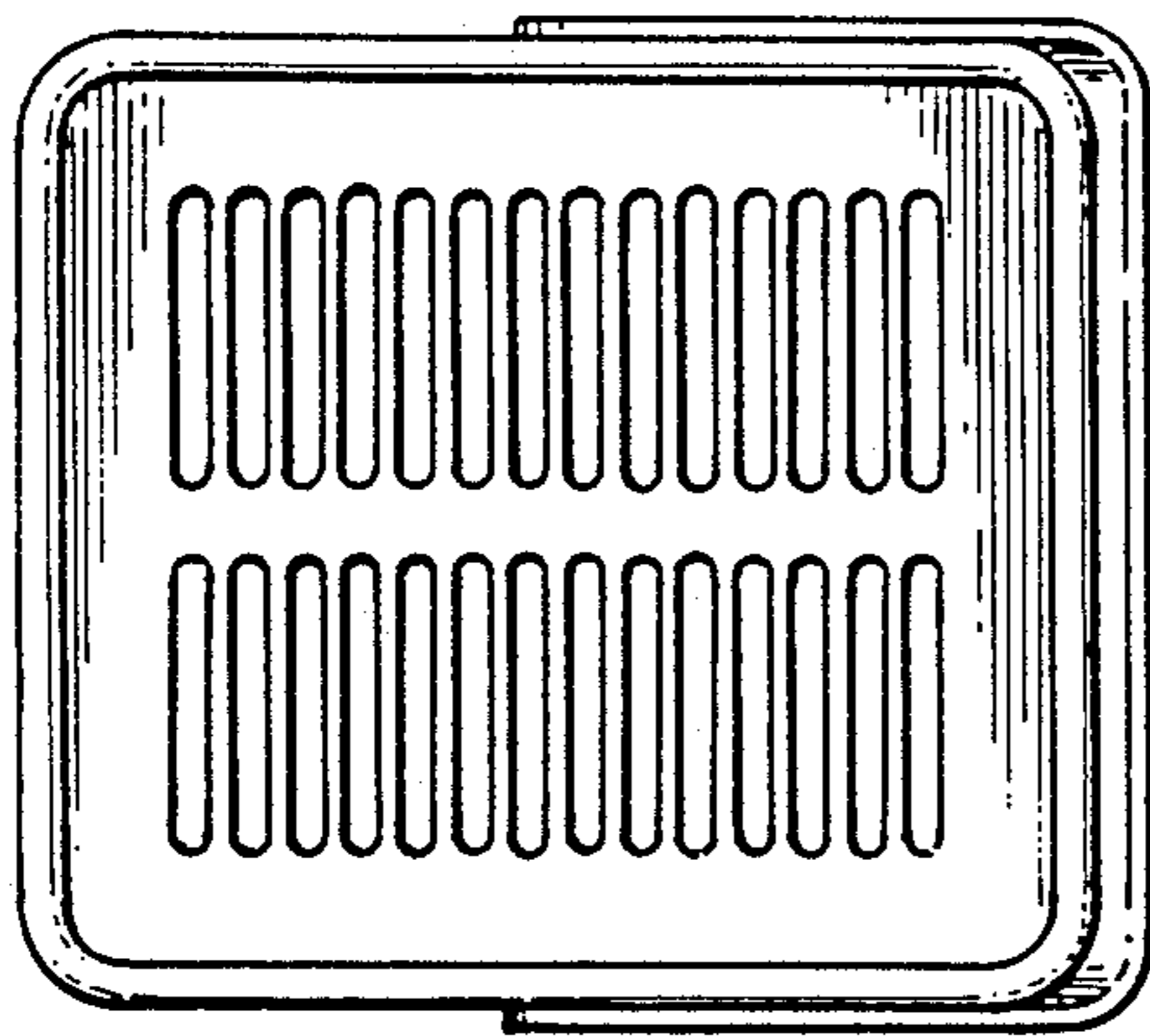


FIG. 4.

FIG. 5.

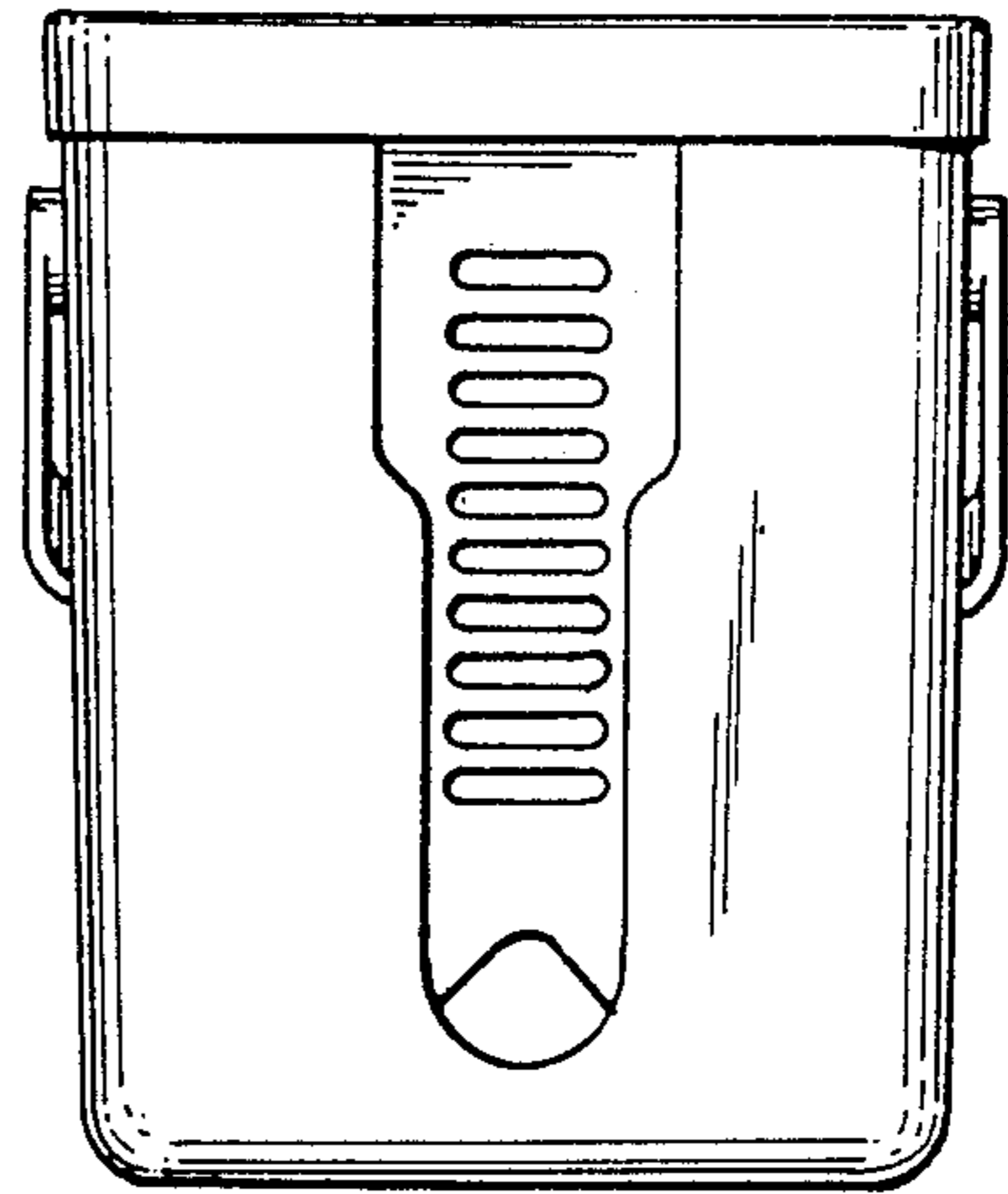
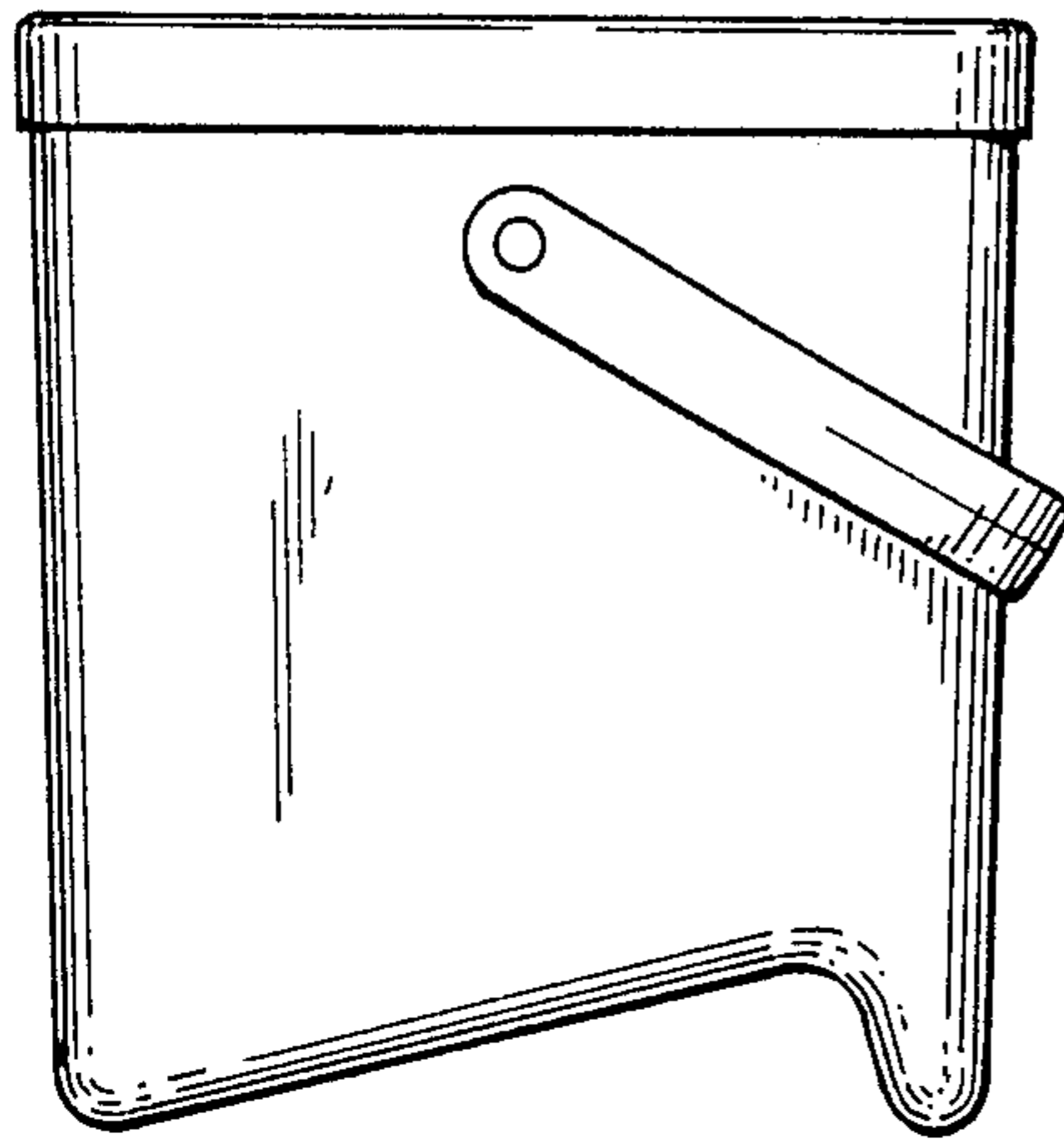


FIG. 6.

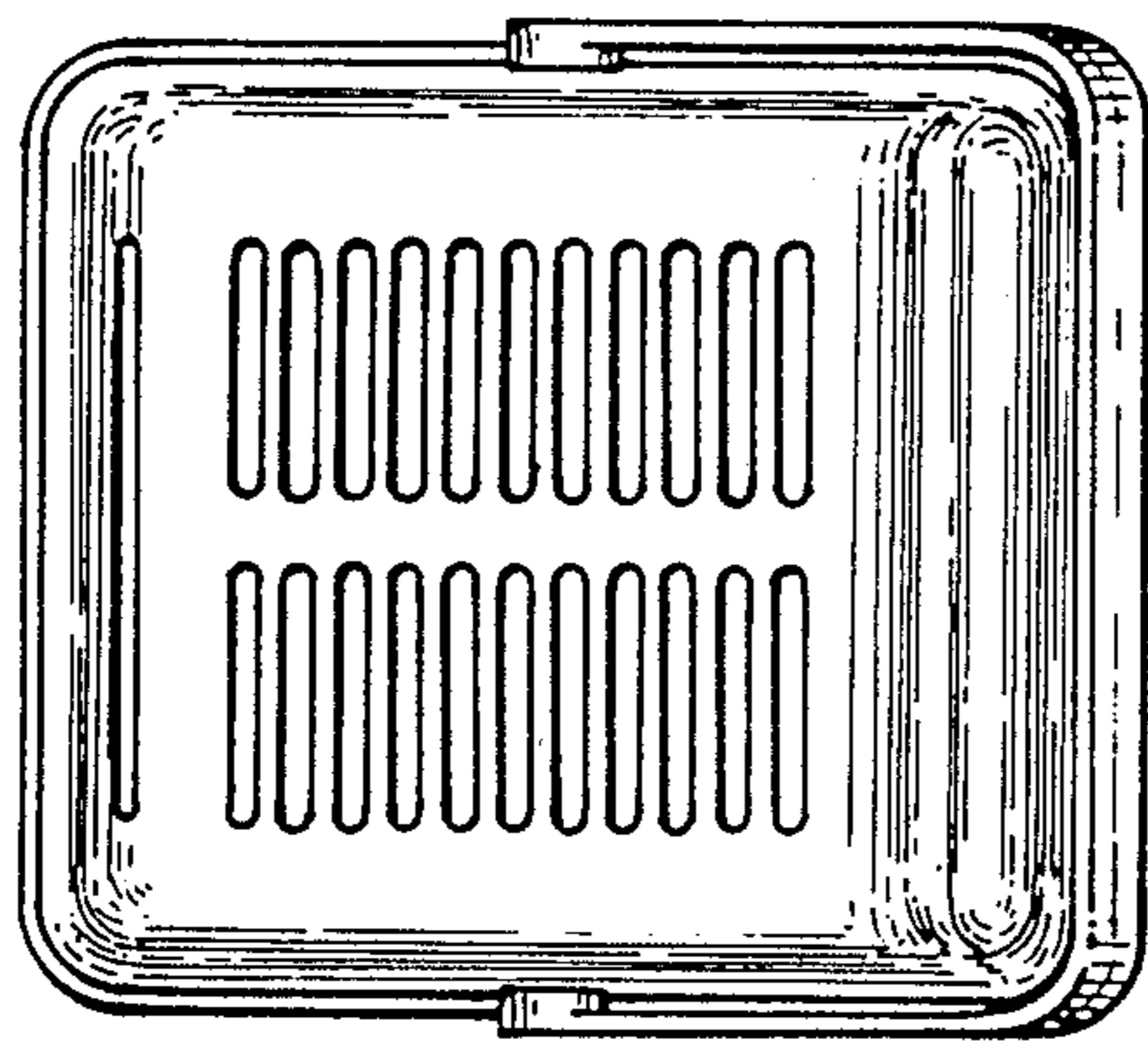


FIG. 7.