

[54] **DOOR STOP**
[76] **Inventor: Steven P. Morrison, 8533 Hawthorne St., Alta Loma, Calif. 91701**
[**] **Term: 14 Years**
[21] **Appl. No.: 13,367**
[22] **Filed: Feb. 3, 1987**
[52] **U.S. Cl. D8/402**
[58] **Field of Search D8/402; 16/82, 86 R, 16/86 A; 292/DIG. 15; 267/140**

[56] **References Cited**
U.S. PATENT DOCUMENTS
D. 178,366 7/1956 Heyer D8/402
383,809 5/1888 Herrick 16/86 A
841,147 1/1907 Hasenpflug 16/86 A
918,060 4/1909 Kabureck 16/86 A

2,189,048 2/1940 Underhill 16/86 A

FOREIGN PATENT DOCUMENTS

0560522 7/1958 Canada .

Primary Examiner—B. J. Bullock
Attorney, Agent, or Firm—Boniard I. Brown

[57] **CLAIM**

The ornamental design for a door stop, as shown and described.

DESCRIPTION

FIG. 1 is an end view of a door stop, showing my new design;
FIG. 2 is a side elevational view thereof;
FIG. 3 is an end view opposite to that shown in FIG. 1;
FIG. 4 is a side elevational view thereof, taken in the direction opposite that of FIG. 2; and
FIG. 5 is a perspective view thereof.

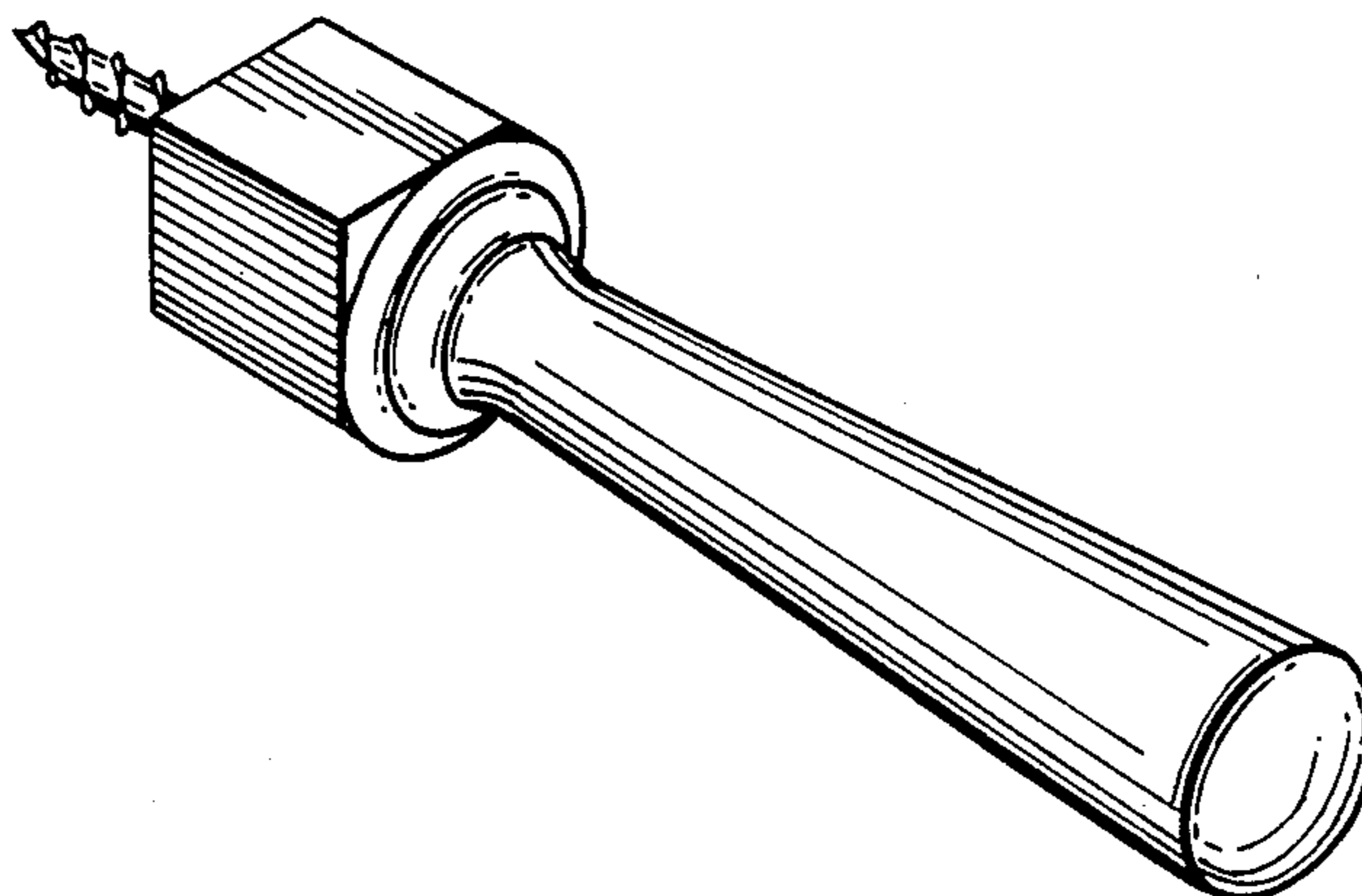


FIG. 1

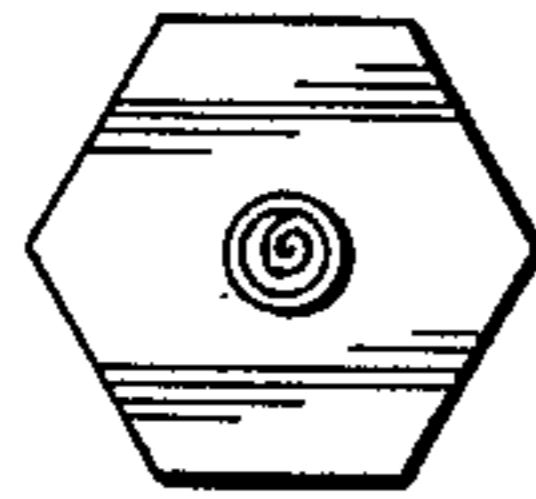


FIG. 2

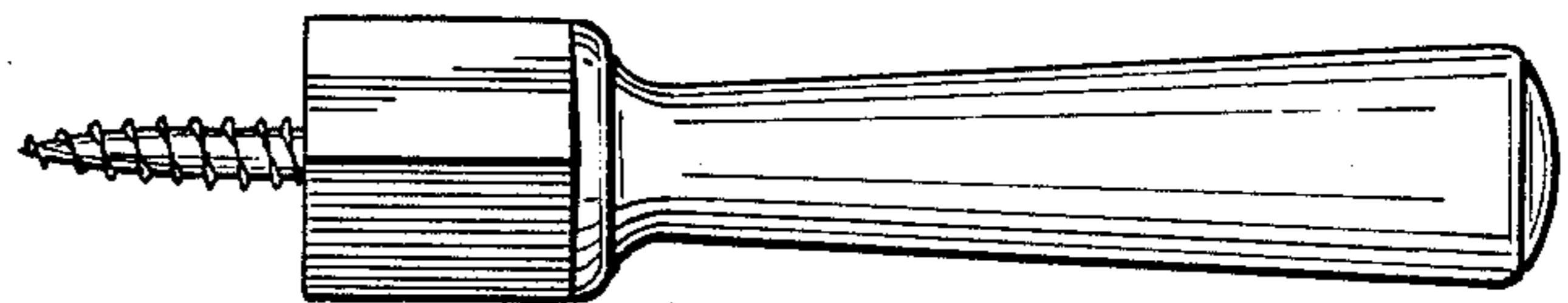


FIG. 3



FIG. 4

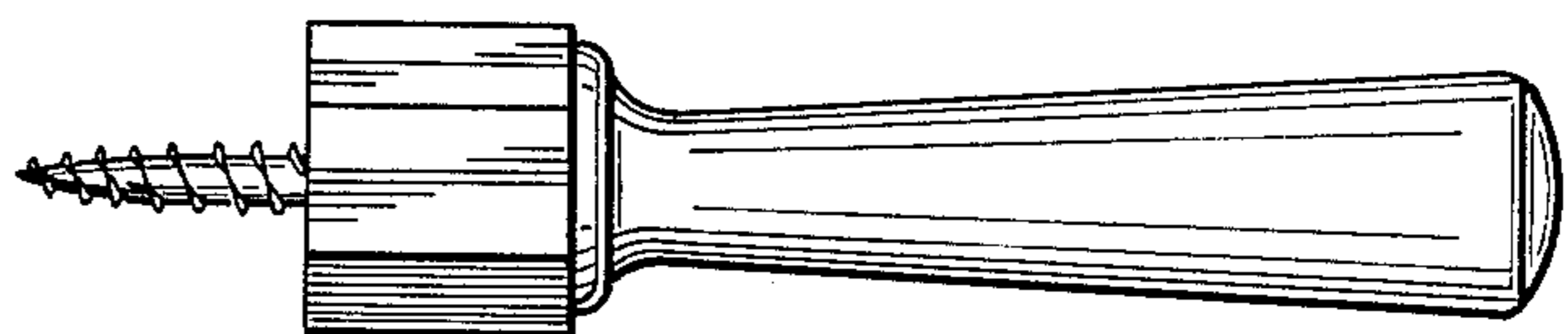


FIG. 5

