

[54] DOOR STOP

[76] Inventors: Julius V. Ryser, 8334 SW. 8th Ave., Portland, Oreg. 97219; Milton B. Cook, 1420 NW. Division, Gresham, Oreg. 97030

[**] Term: 14 Years

[21] Appl. No.: 129,101

[22] Filed: Dec. 1, 1987

[52] U.S. Cl. D8/336

[58] Field of Search D8/330-331, D8/336, 339, 343, 400, 402; 292/1, 262, 289, 297, 338-339, DIG. 15, DIG. 46; 248/351

[56] References Cited

U.S. PATENT DOCUMENTS

D. 214,870	8/1969	Malone	D8/336 X
2,491,246	12/1949	Bloomfield	292/338
4,494,784	1/1985	Haynes	292/338 X
4,641,869	2/1987	Johnson	292/339

OTHER PUBLICATIONS

House and Garden, Feb. 1975, p. 145—Window Safety Lock.

Primary Examiner—Wallace R. Burke
Assistant Examiner—Brian N. Vinson
Attorney, Agent, or Firm—Henderson & Sturm

[57] CLAIM

The ornamental design for a door stop, as shown and described.

DESCRIPTION

FIG. 1 is a perspective view of a door stop showing our new design;
FIG. 2 is a perspective view thereof, shown in the extended position;
FIG. 3 is a left side elevational view thereof, the right side being a mirror image;
FIG. 4 is a left side elevational view thereof, shown in the extended position, and the right side being a mirror image thereof;
FIG. 5 is a front elevational view thereof;
FIG. 6 is a front elevational view thereof, shown in the extended position;
FIG. 7 is a top plan view thereof; and
FIG. 8 is a top plan view thereof shown in the extended position.
The broken-line showing of the portion of a door in FIGS. 1 and 2 is for illustrative purposes only and forms no part of the claimed design.

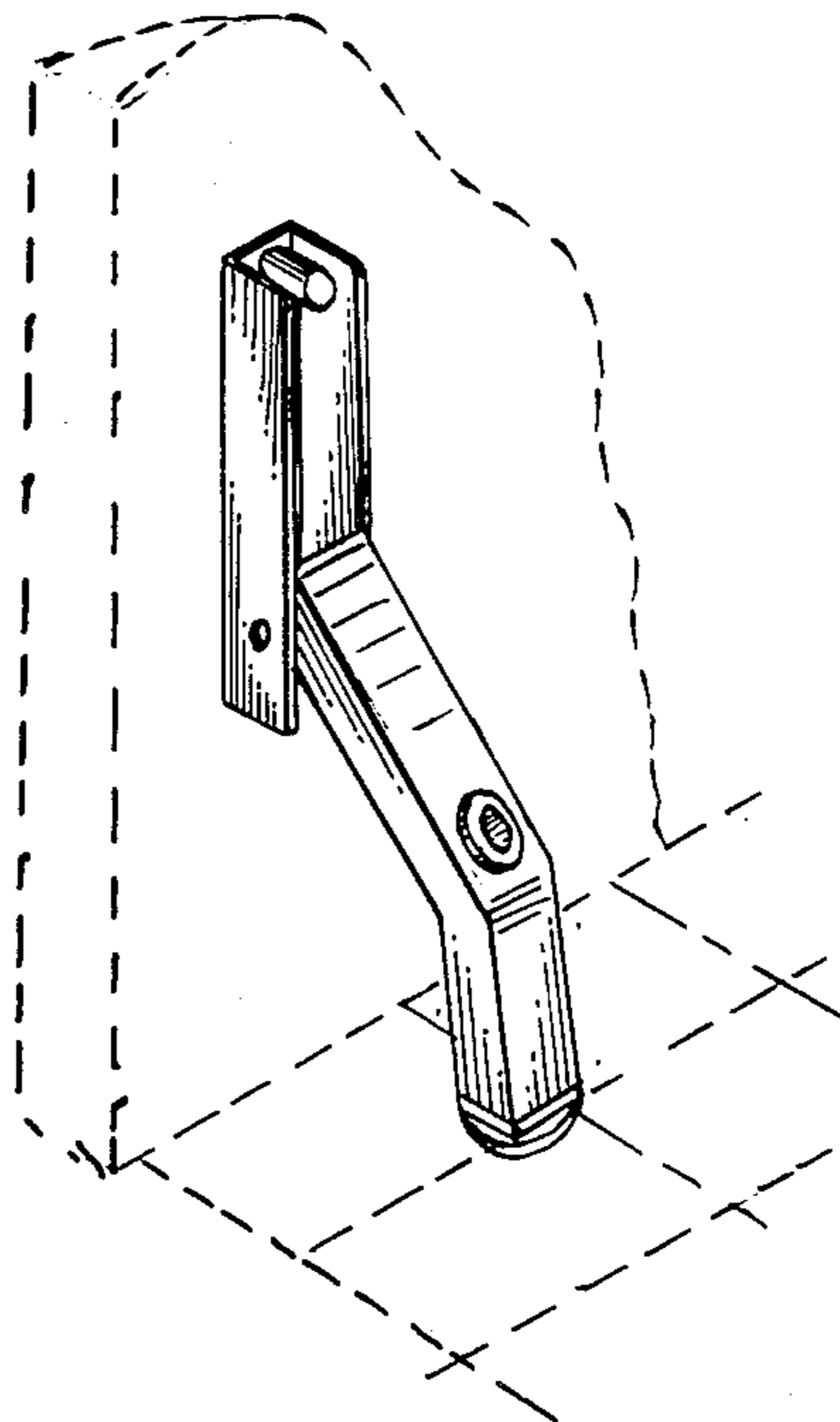
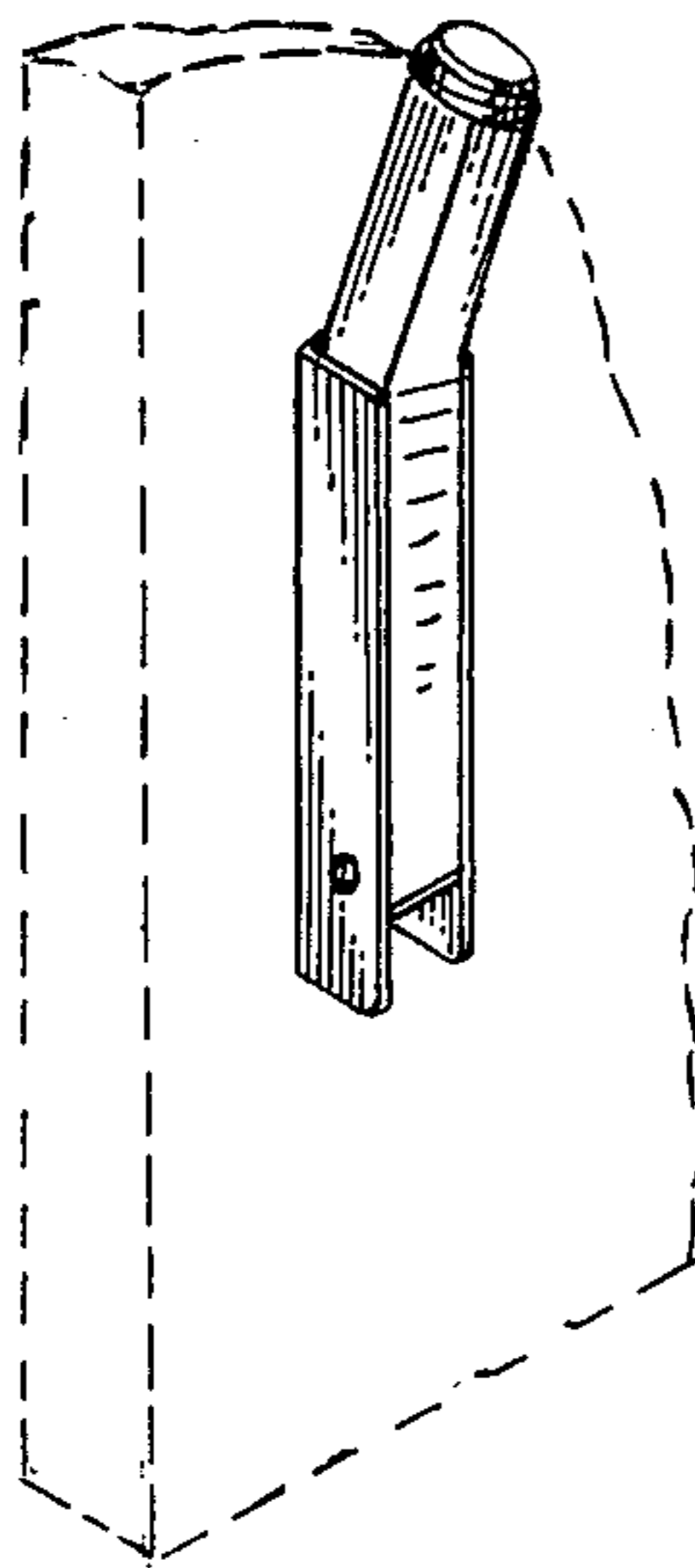


FIG. 1.

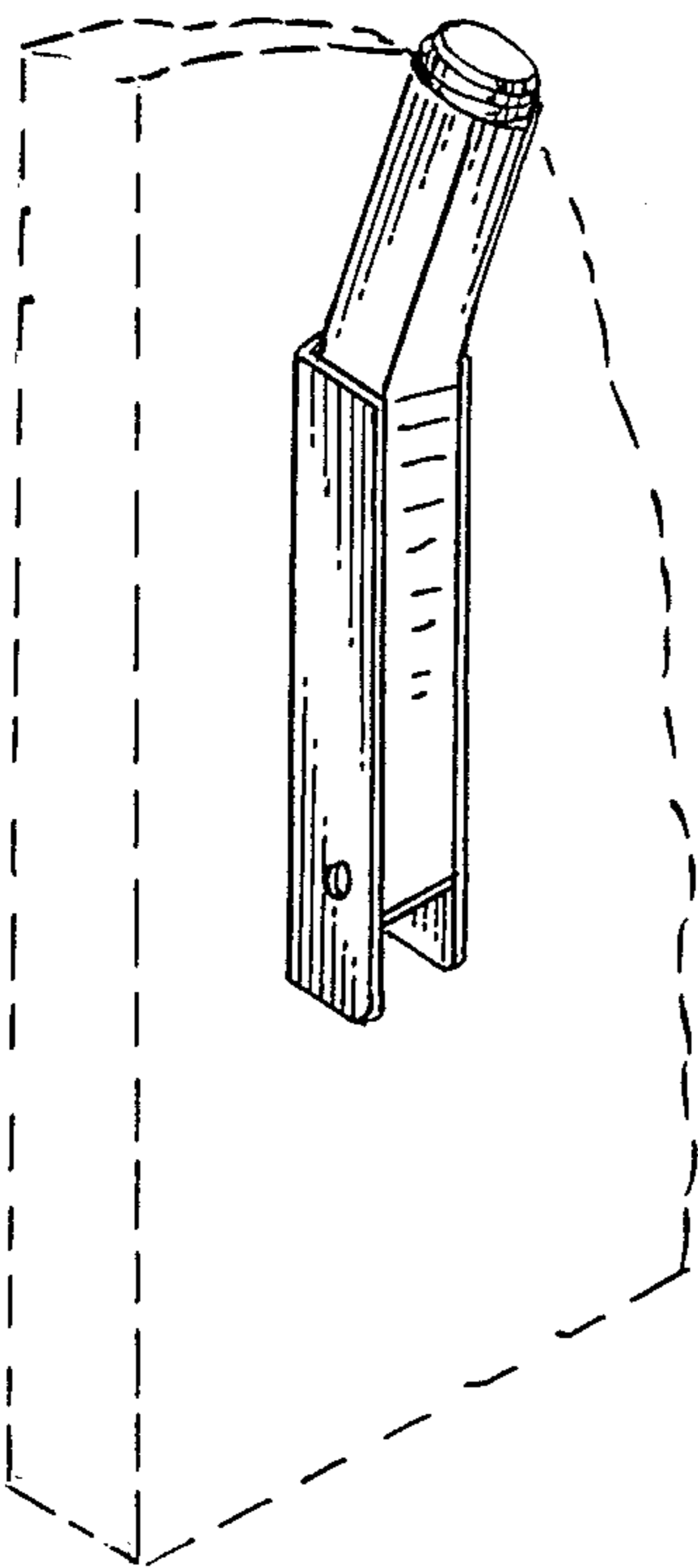


FIG. 2.

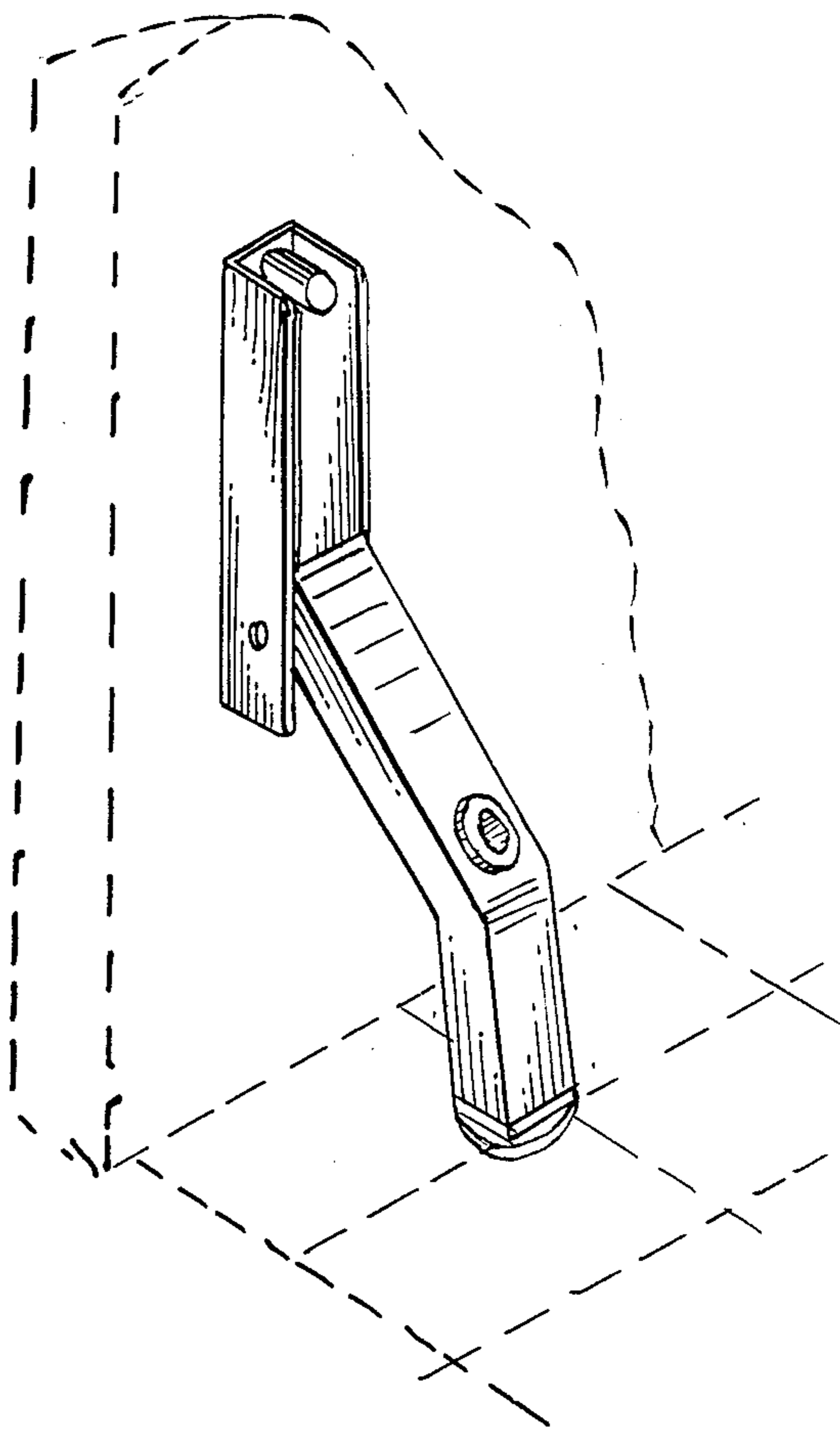


FIG. 3.



FIG. 4.

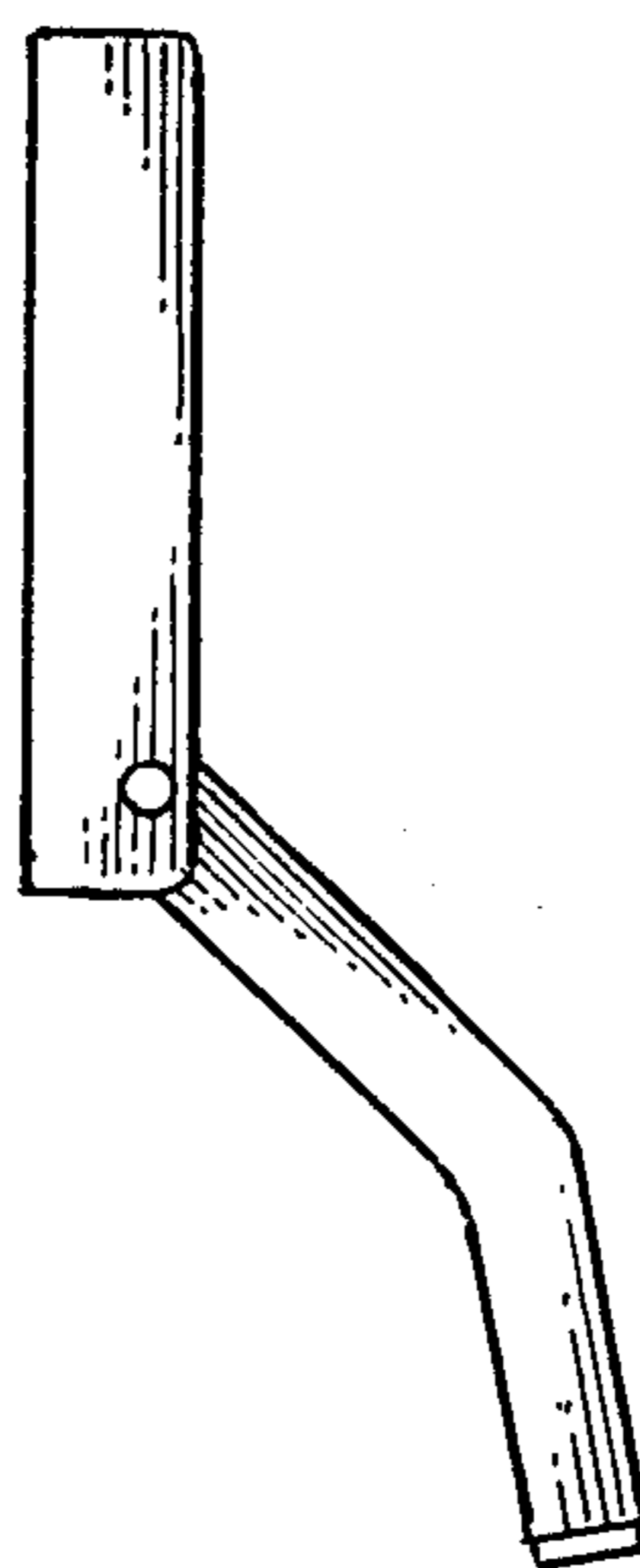




FIG. 5.

FIG. 6.



FIG. 7.



FIG. 8.

