

[54] BICYCLE SECURITY UNIT OR THE LIKE

4,694,667 9/1987 Hodge 70/49

[76] Inventor: Phillip M. Evans, 4212 Oak Knoll Dr., Carmichael, Calif. 95608

Primary Examiner—Wallace R. Burke
Assistant Examiner—Brian N. Vinson
Attorney, Agent, or Firm—Leonard Bloom

[**] Term: 14 Years

[57] CLAIM

[21] Appl. No.: 41,770

The ornamental design for a bicycle security unit or the like, as shown and described.

[22] Filed: Apr. 23, 1987

[52] U.S. Cl. D8/331

DESCRIPTION

[58] Field of Search D8/330-331,
D8/333-334, 45; 70/14, 20, 24-25, 35, 38 R, 38
A, 38 B, 38 C; 49/51, 57; 292/262, 264, 289,
299

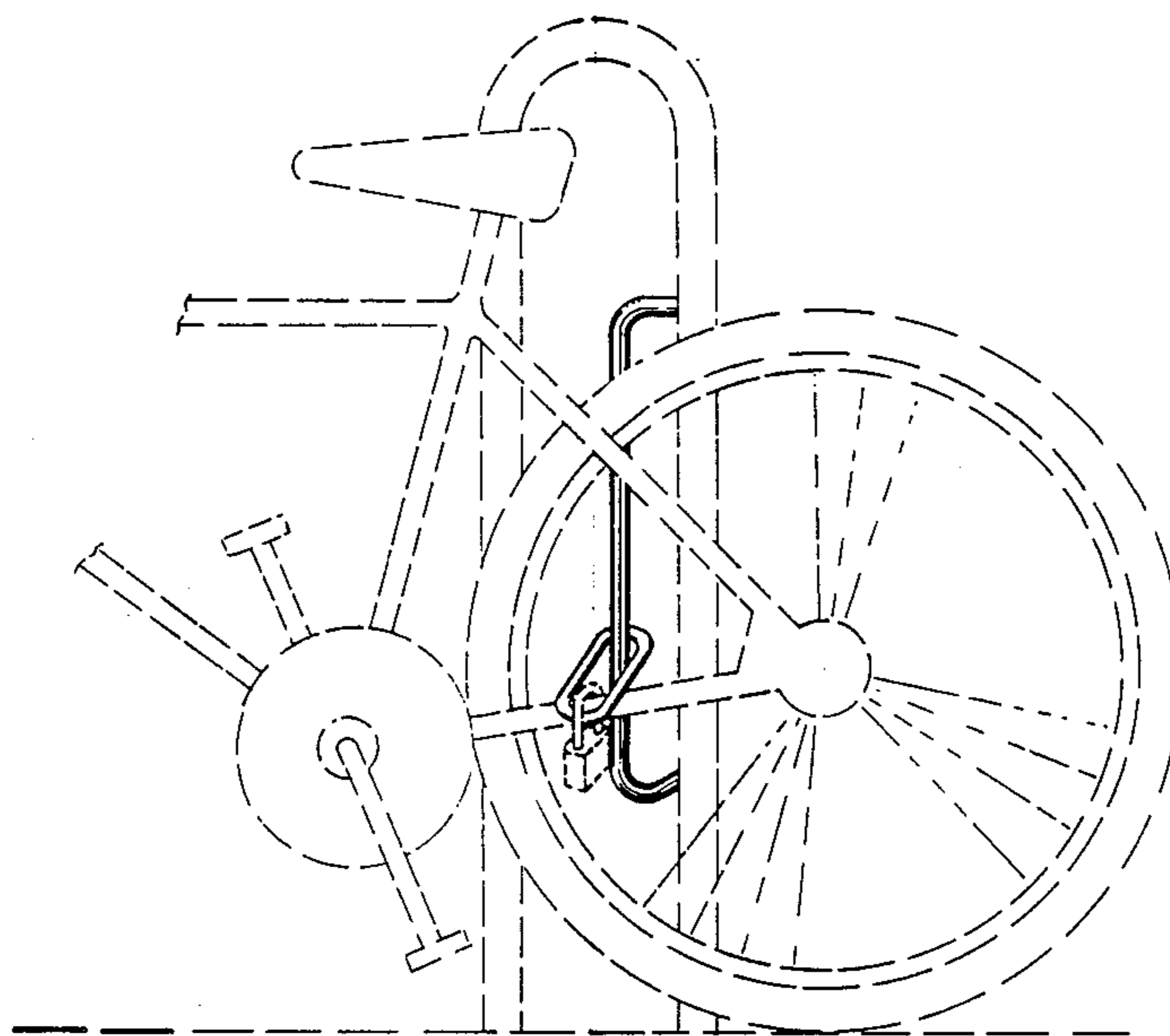
FIG. 1 is a perspective view of a bicycle security unit or the like showing my new design;
FIG. 2 is a front elevational view thereof;
FIG. 3 is a side elevational view thereof, the opposite side being a mirror image of that shown;
FIG. 4 is a top plan view thereof; and
FIG. 5 is a bottom plan view thereof.

[56] References Cited

U.S. PATENT DOCUMENTS

D. 257,320 10/1980 Weisberg D8/343
3,748,876 7/1973 Mathews D8/333
3,970,197 7/1976 Bale, Jr. 70/38 C X

The broken-line showing of portions of a bicycle and post in the views is for illustrative purposes only and forms no part of the claimed design.



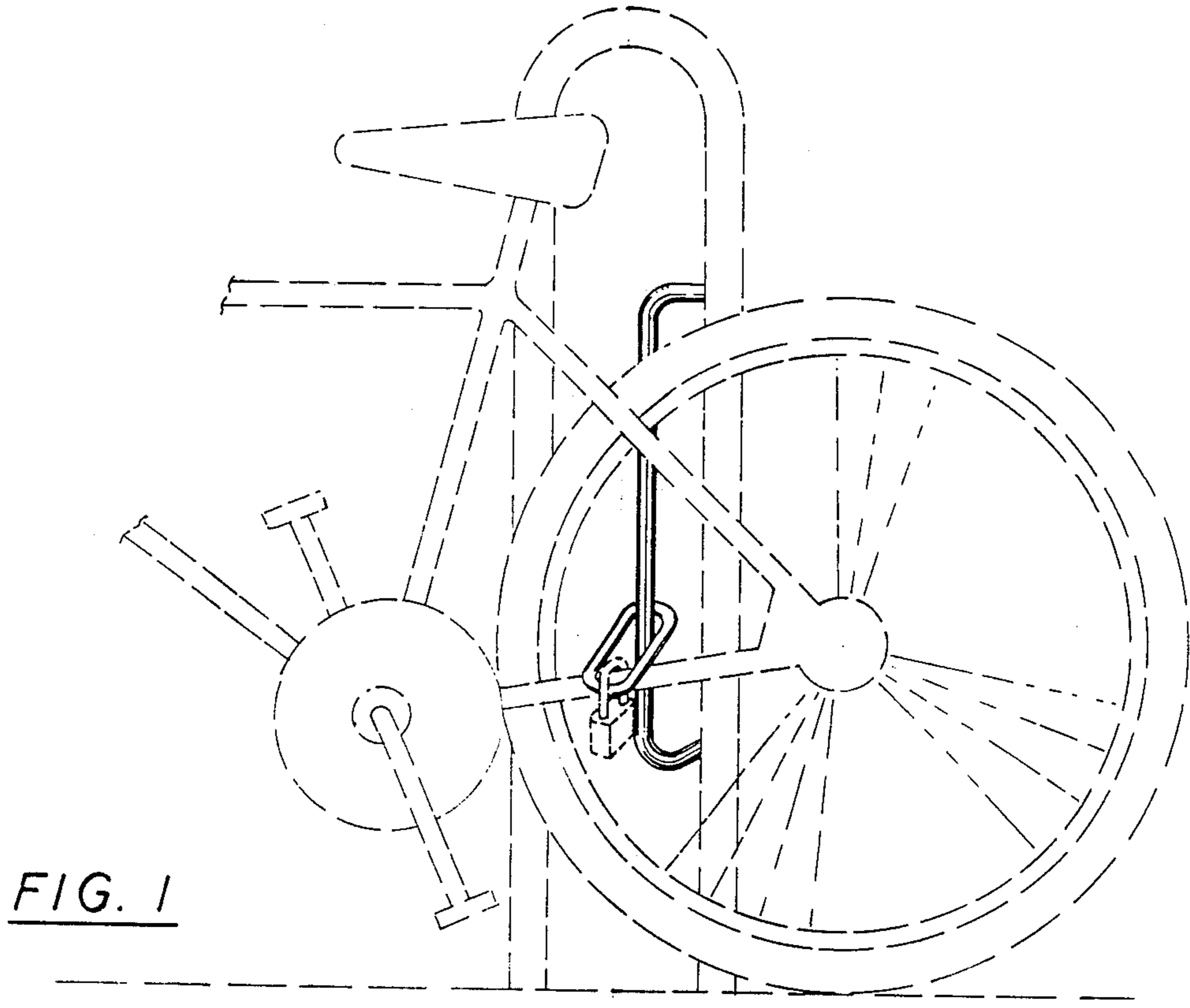


FIG. 1

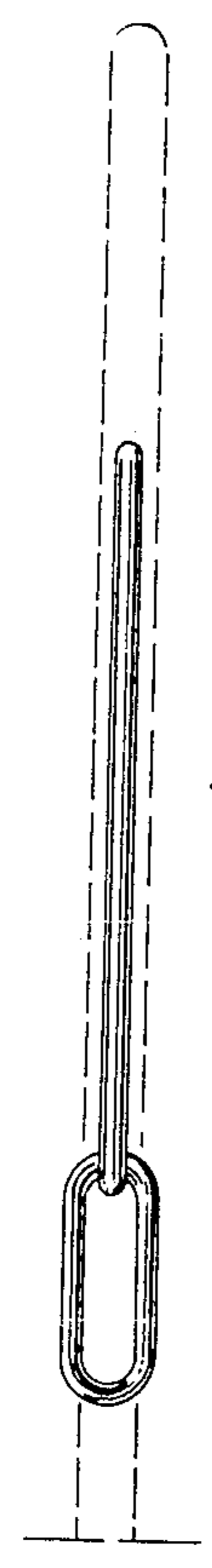


FIG. 2

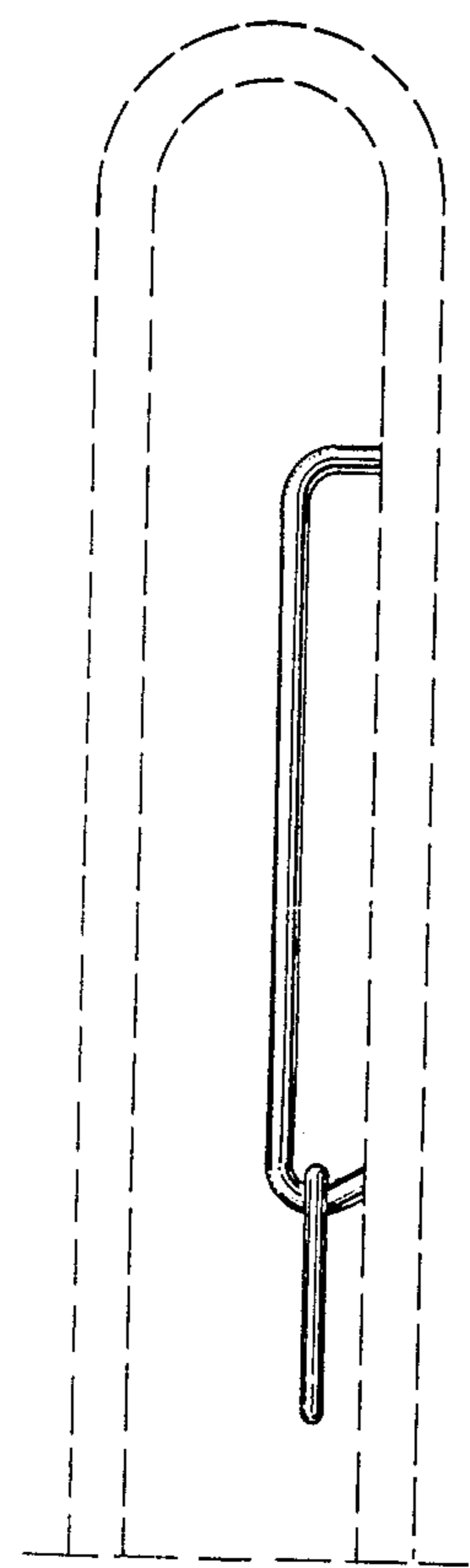


FIG. 3

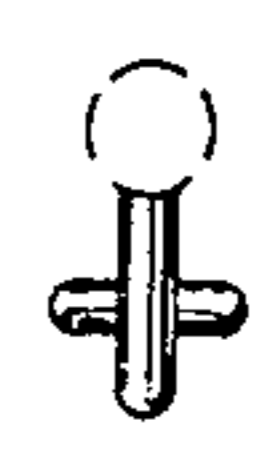


FIG. 4

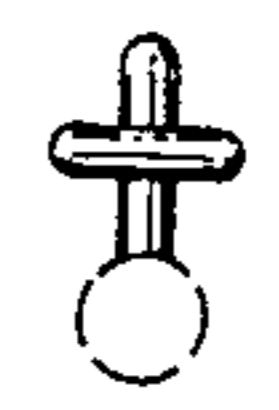


FIG. 5