

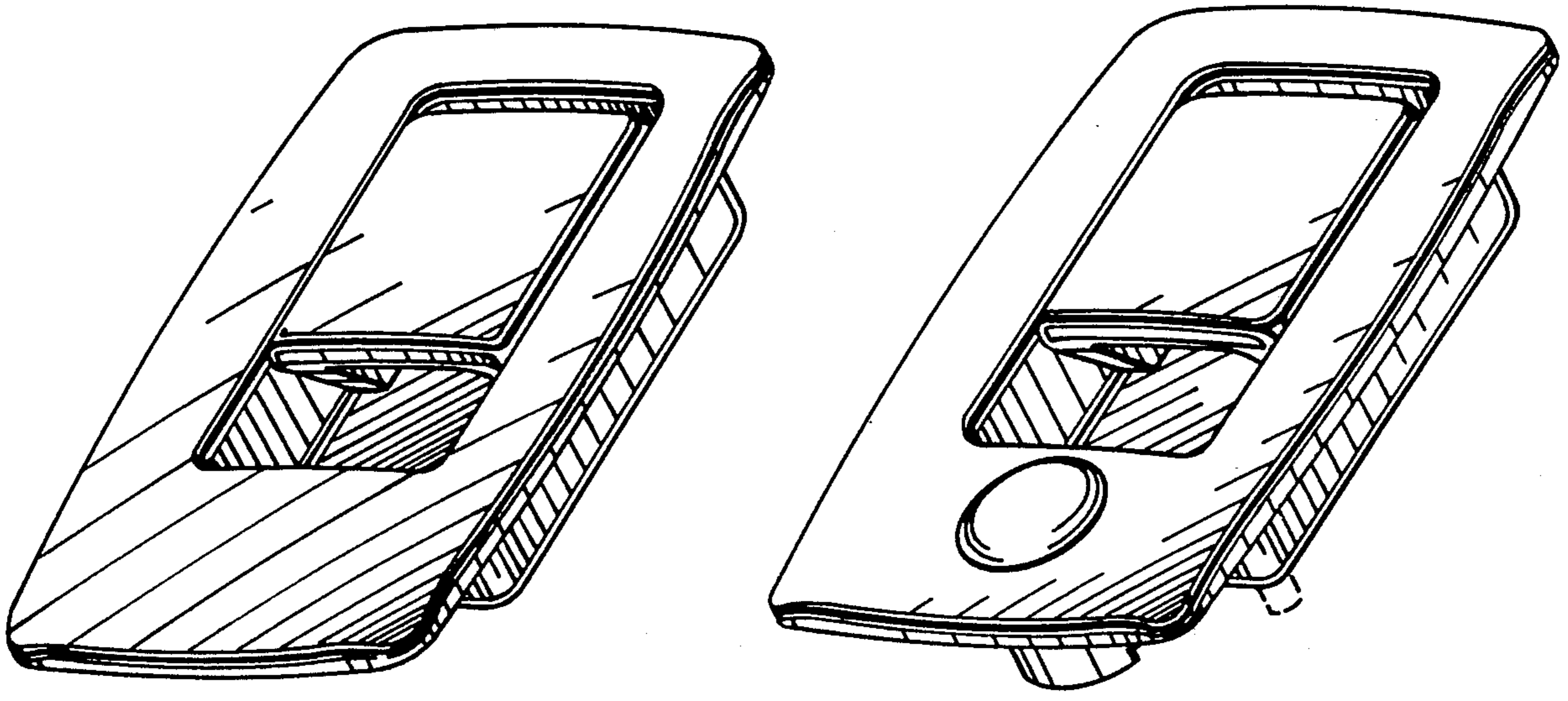
- [54] COMBINED HOUSINGS AND HANDLES FOR LATCHES AND LOCKS
- [75] Inventors: Richard H. Russell, Farmington; David W. Kaiser, North Haven, both of Conn.
- [73] Assignee: The Eastern Company, Cleveland, Ohio
- [**] Term: 14 Years
- [21] Appl. No.: 72,277
- [22] Filed: Jul. 10, 1987
- [52] U.S. Cl. D8/306; D8/313; D8/302; D8/331
- [58] Field of Search D8/300, 302, 306-308, D8/313, 322, 330-331, 336, 338, 346, 350, 353; 70/57, 63, 78, 84, 99, 101, 141

[56] References Cited

U.S. PATENT DOCUMENTS

| | | | |
|------------|---------|------------------|-----------|
| D. 192,787 | 5/1962 | Dyer | D8/313 |
| D. 196,424 | 10/1963 | Are | D10/8 |
| D. 210,152 | 2/1968 | Pastva | D50/5 |
| D. 210,153 | 2/1968 | Pastva | D50/5 |
| D. 218,672 | 9/1970 | Lauper | D8/109 |
| D. 219,095 | 11/1970 | Allen, Jr. | D8/306 |
| D. 230,132 | 1/1974 | Pastva | D8/109 |
| D. 230,945 | 3/1974 | Beckman | D8/341 |
| D. 265,965 | 8/1982 | Davis et al. | D8/302 |
| D. 270,328 | 8/1983 | Davis et al. | D8/302 |
| D. 271,562 | 11/1983 | Weinerman | D8/338 |
| D. 292,482 | 10/1987 | Weinerman et al. | D8/302 |
| 2,317,700 | 4/1943 | Thompson | 292/254 |
| 2,387,187 | 10/1945 | Smith | 70/97 |
| 2,594,940 | 4/1952 | Levine | 70/66 |
| 2,637,585 | 5/1953 | Troche et al. | 292/336.3 |
| 2,642,300 | 6/1953 | Pelcin | 292/173 |
| 2,649,322 | 8/1953 | Mack | 292/173 |
| 2,668,076 | 2/1954 | Troche et al. | 292/336.3 |
| 2,721,751 | 10/1955 | Holritz | 292/169 |
| 2,735,706 | 2/1956 | Pelcin | 292/34 |
| 2,746,784 | 3/1956 | Holritz | 292/175 |
| 2,763,503 | 9/1956 | Tasch et al. | 292/173 |
| 2,784,993 | 3/1957 | Collar | 292/223 |
| 2,840,407 | 6/1958 | Sellon, Jr. | 292/169 |
| 2,871,048 | 1/1959 | Balogh | 292/173 |
| 2,900,204 | 8/1959 | Pelcin | 292/173 |

| | | | |
|-----------|---------|--------------------|-----------|
| 2,916,905 | 12/1959 | Podlesak | 70/150 |
| 2,987,908 | 6/1961 | Pelcin | 70/146 |
| 3,044,287 | 7/1962 | Pelcin | 70/99 |
| 3,044,814 | 7/1962 | Pelcin | 292/126 |
| 3,055,204 | 9/1962 | Pelcin | 70/153 |
| 3,081,617 | 3/1963 | McKay | 70/153 |
| 3,209,563 | 10/1965 | Pelcin | 70/146 |
| 3,209,564 | 10/1965 | Pelcin | 70/148 |
| 3,338,610 | 8/1967 | Pelcin et al. | 292/126 |
| 3,357,734 | 12/1967 | Pastva, Jr. | 292/165 |
| 3,371,511 | 3/1968 | Atkinson | 70/71 |
| 3,389,932 | 6/1968 | Pastva, Jr. | 292/173 |
| 3,449,005 | 6/1969 | Pastva, Jr. | 292/173 |
| 3,495,862 | 2/1970 | McClintock | 292/173 |
| 3,576,118 | 4/1971 | Doerrfeld | 70/146 |
| 3,668,907 | 6/1972 | Pastva, Jr. | 70/153 |
| 3,707,862 | 1/1973 | Pastva, Jr. | 70/150 |
| 3,743,336 | 7/1973 | Andrews | 292/173 |
| 3,758,140 | 9/1973 | Prete, Jr. | 292/223 |
| 3,782,141 | 1/1974 | Doerrfeld | 70/146 |
| 3,795,416 | 3/1974 | Hehl et al. | 292/336.3 |
| 3,841,674 | 10/1974 | Bisbing et al. | 292/175 |
| 3,850,464 | 11/1974 | Bisbing et al. | 292/175 |
| 3,857,594 | 12/1974 | Pastva, Jr. | 292/27 |
| 3,871,198 | 3/1975 | Miller | 70/146 |
| 4,038,718 | 8/1977 | Reilhac et al. | 16/110 |
| 4,116,027 | 9/1978 | Tannery | 70/472 |
| 4,131,002 | 12/1978 | Gianelo | 70/84 |
| 4,134,281 | 1/1979 | Pelcin | 70/208 |
| 4,138,869 | 2/1979 | Pelcin | 70/151 |
| 4,170,119 | 10/1979 | Kalis, Jr. | 70/221 |
| 4,177,656 | 12/1979 | Davis | 70/84 |
| 4,231,597 | 11/1980 | Pelcin | 292/164 |
| 4,309,884 | 1/1982 | Davis | 70/472 |
| 4,312,202 | 1/1982 | Pastva, Jr. et al. | 70/472 |
| 4,312,203 | 1/1982 | Davis | 70/472 |
| 4,312,204 | 1/1982 | Davis | 70/472 |
| 4,312,205 | 1/1982 | Reed et al. | 70/472 |
| 4,320,642 | 3/1982 | Pastva, Jr. | 70/472 |
| 4,321,812 | 3/1982 | Pelcin | 70/472 |
| 4,335,595 | 6/1982 | Swan et al. | 70/149 |
| 4,370,874 | 2/1983 | Munn | 70/204 |
| 4,413,849 | 11/1983 | Davis et al. | 292/229 |
| 4,420,954 | 12/1983 | Hieronimi et al. | 70/150 |
| 4,438,964 | 3/1984 | Peters | 292/216 |
| 4,465,328 | 8/1984 | Tihanyi et al. | 312/215 |
| 4,492,394 | 1/1985 | Dignan | 292/64 |
| 4,578,968 | 4/1986 | Messier, Jr. | 70/208 |
| 4,671,547 | 6/1987 | Weinerman et al. | 292/197 |
| 4,679,835 | 7/1987 | Weinerman et al. | 292/197 |
| 4,683,736 | 8/1987 | Weinerman et al. | 70/208 |



4,706,478 11/1987 Swan et al. 70/208

OTHER PUBLICATIONS

Sweets Catalogue File (1981), section 8.1-AM, p. 12, Amarlite Door Mid-Panel Latch.

Eberhard Catalogue No. 103, ©1985, section 1, p. 102, Latch, top left corner of page.

Eberhard Catalogue No. 103, ©1985, section 1, p. 102, Latch, lower left corner of page.

Eberhard Catalogue No. 103, ©1985, section 1, p. 28, Single-Point Squeeze Latch.

Southco Inc., *Southco Fasteners Handbook 37*, Concordville, PA 19331, date unknown.

Eberhard Manufacturing Co., *Handbook of Latches, Locks, Hinges, Handles, and Related Hardware*, No. 103, Cleveland, OH 44136, 1985.

Adams Rite Manufacturing Co., *Hardware for Glass Doors That Swing or Slide*, City of Industry, CA 91749, Jan. 1988.

Primary Examiner—Wallace R. Burke

Assistant Examiner—Brian N. Vinson

Attorney, Agent, or Firm—David A. Burge

[57] CLAIM

The ornamental design for a flush mounted latch assembly, as shown and described.

DESCRIPTION

FIG. 1 is a front perspective view of a flush mounted latch assembly showing our new design;

FIG. 2 is a front elevational view thereof;

FIG. 3 is a rear elevational view thereof;

FIG. 4 is a bottom plan view thereof;

FIG. 5 is a top plan view thereof;

FIG. 6 is a right side elevational view thereof;

FIG. 7 is a left side elevational view thereof;

FIG. 8 is a vertical cross-sectional view thereof, taken along line 8—8 of FIG. 2;

FIG. 9 is a vertical cross-sectional view thereof, taken along line 9—9 of FIG. 2;

FIG. 10 is a rear perspective view thereof;

FIG. 11 is a rear, fragmentary perspective view thereof, with portions omitted for clarity of illustration;

FIG. 12 is a front perspective view thereof, with the handle shown moved to an operating position;

FIG. 13 is a vertical cross-sectional view thereof taken along line 13—13 of FIG. 12, with the handle shown moved to an operating position;

FIG. 14 is a top perspective view of a second embodiment thereof;

FIG. 15 is a front elevational view of the embodiment of FIG. 14;

FIG. 16 is a rear elevational view of the embodiment of FIG. 14;

FIG. 17 is a bottom plan view of the embodiment of FIG. 14;

FIG. 18 is a top plan view of the embodiment of FIG. 14;

FIG. 19 is a right side elevational view of the embodiment of FIG. 14;

FIG. 20 is a left side elevational view of the embodiment of FIG. 14;

FIG. 21 is a front elevational view of a third embodiment thereof, the only difference from the embodiment of FIG. 14 residing in the inclusion of a hex tool receiving aperture in the operator element;

FIG. 22 is a front elevational view of a fourth embodiment thereof, the only difference from the embodiment of FIG. 14 residing in the inclusion of a screwdriver blade receiving aperture in the operator element; and,

FIG. 23 is a front elevational view of a fifth embodiment thereof, the only difference from the embodiment of FIG. 14 residing in the inclusion of a key receiving aperture in the operator element.

The broken line showing in FIGS. 14-20 of mounting elements that extend rearwardly from the housing is for illustrative purposes only and forms no part of the claimed design.

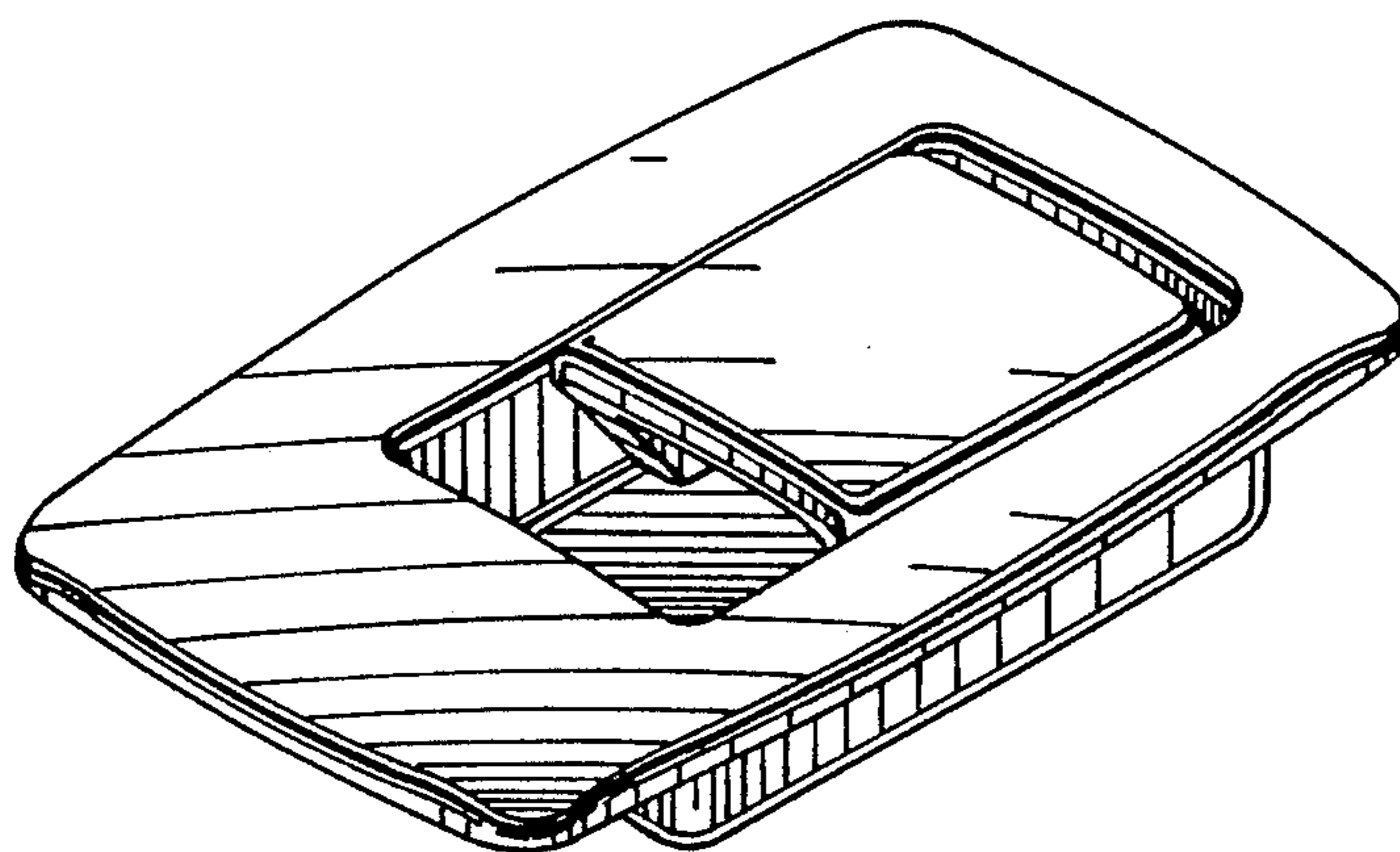


FIG. 1

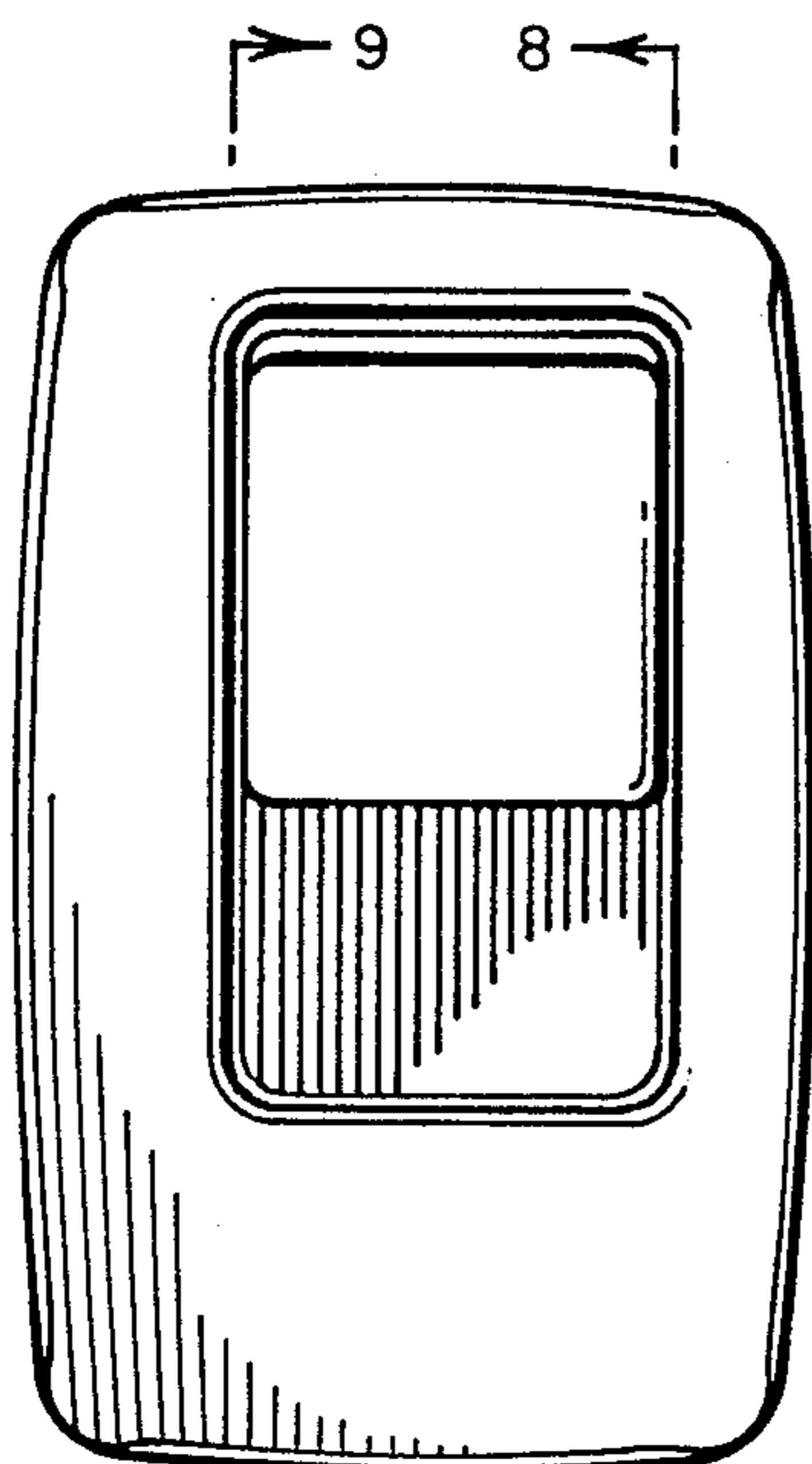


FIG. 2

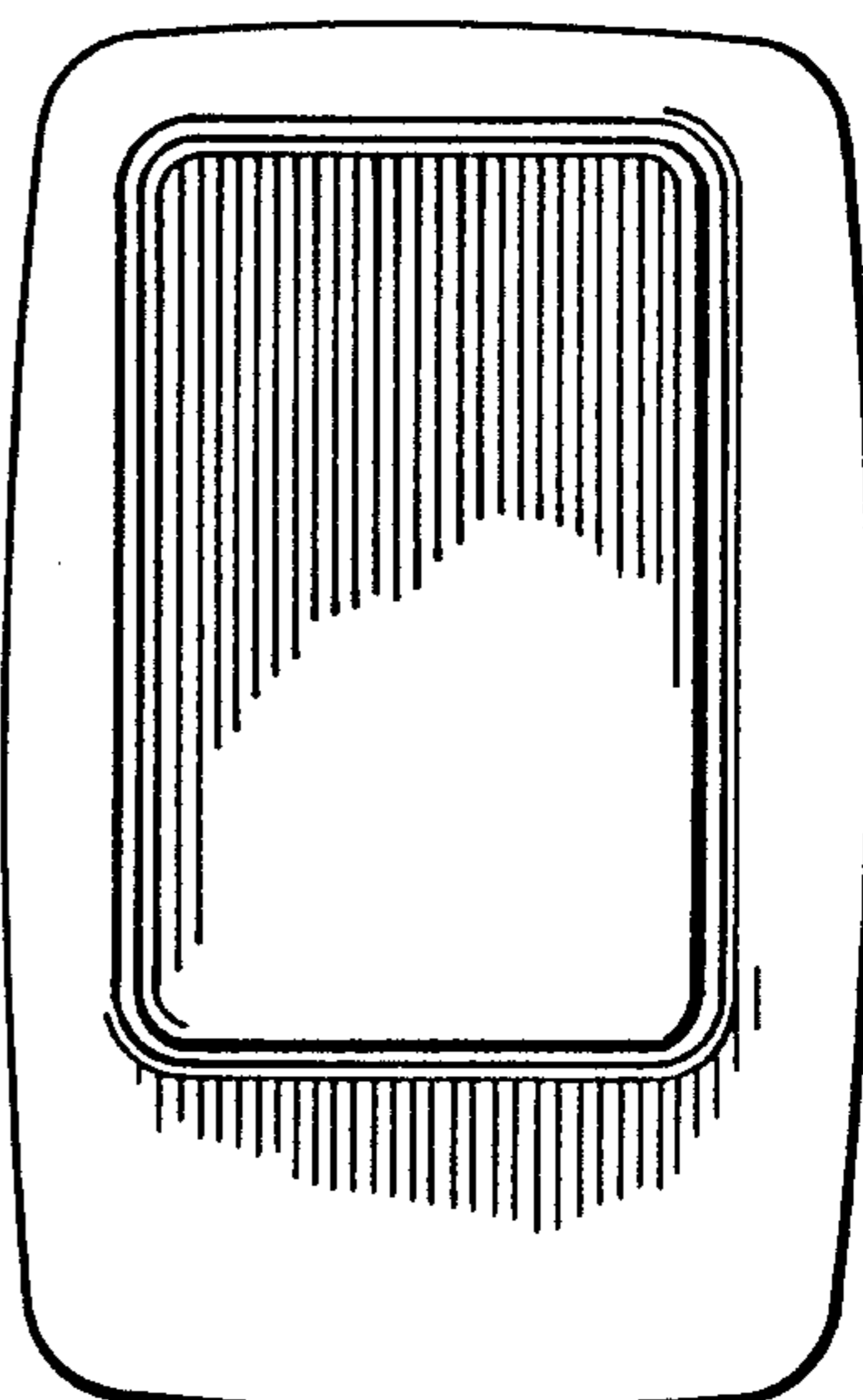


FIG. 3



FIG. 4

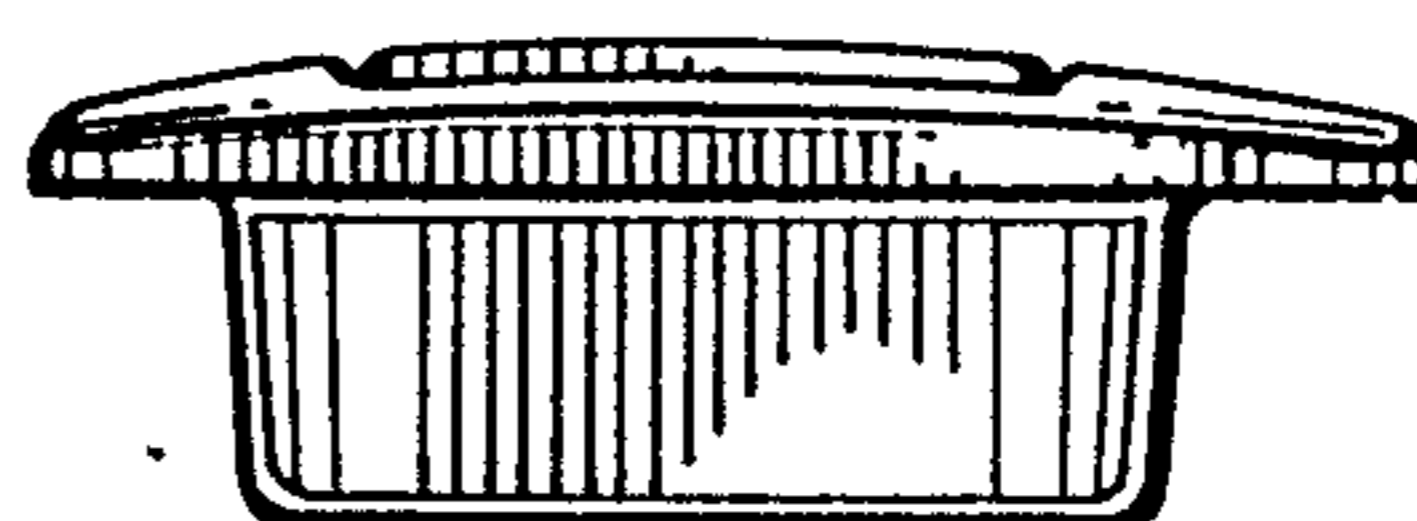


FIG. 5

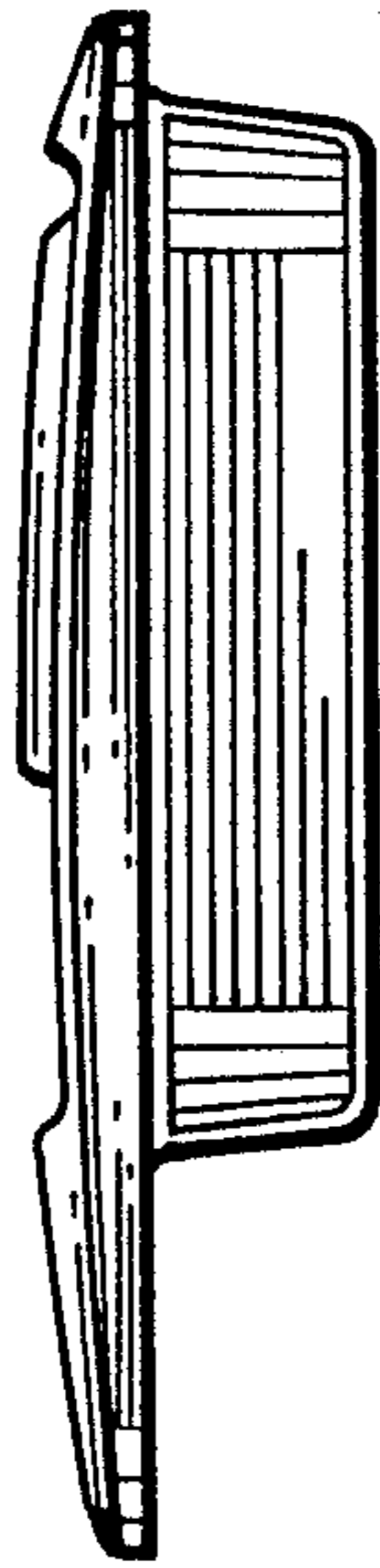


FIG. 6

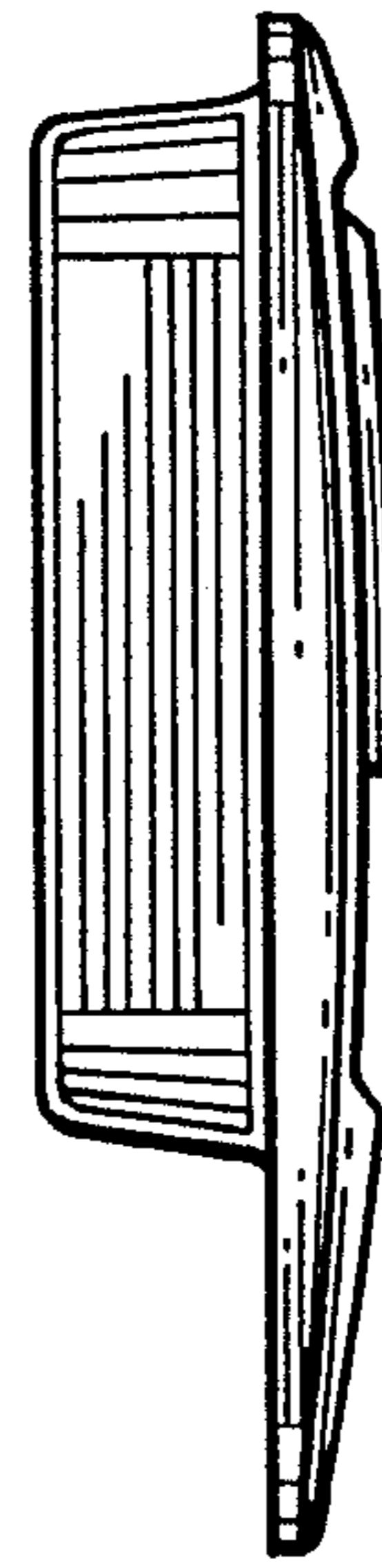


FIG. 7

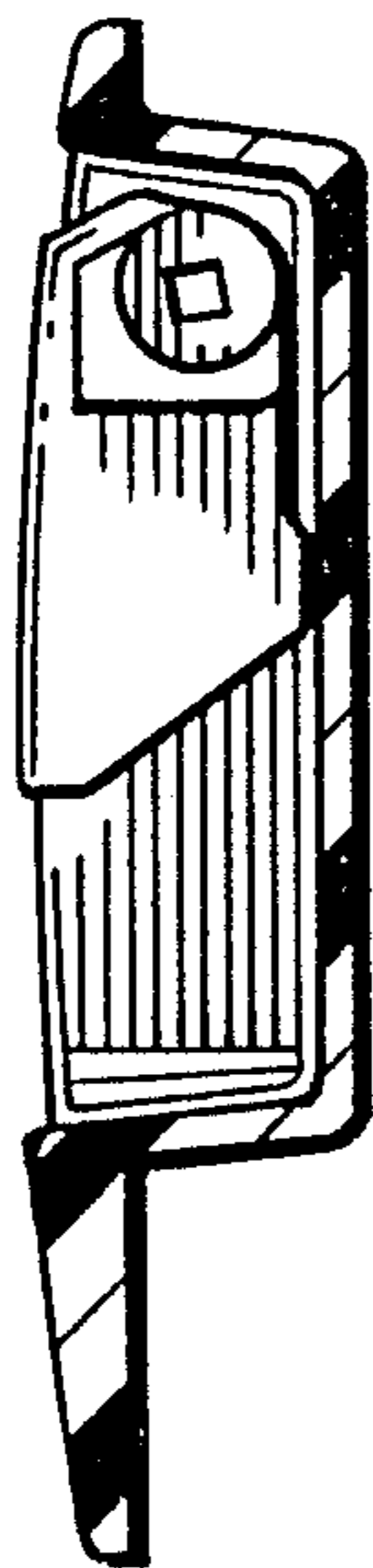


FIG. 8



FIG. 9

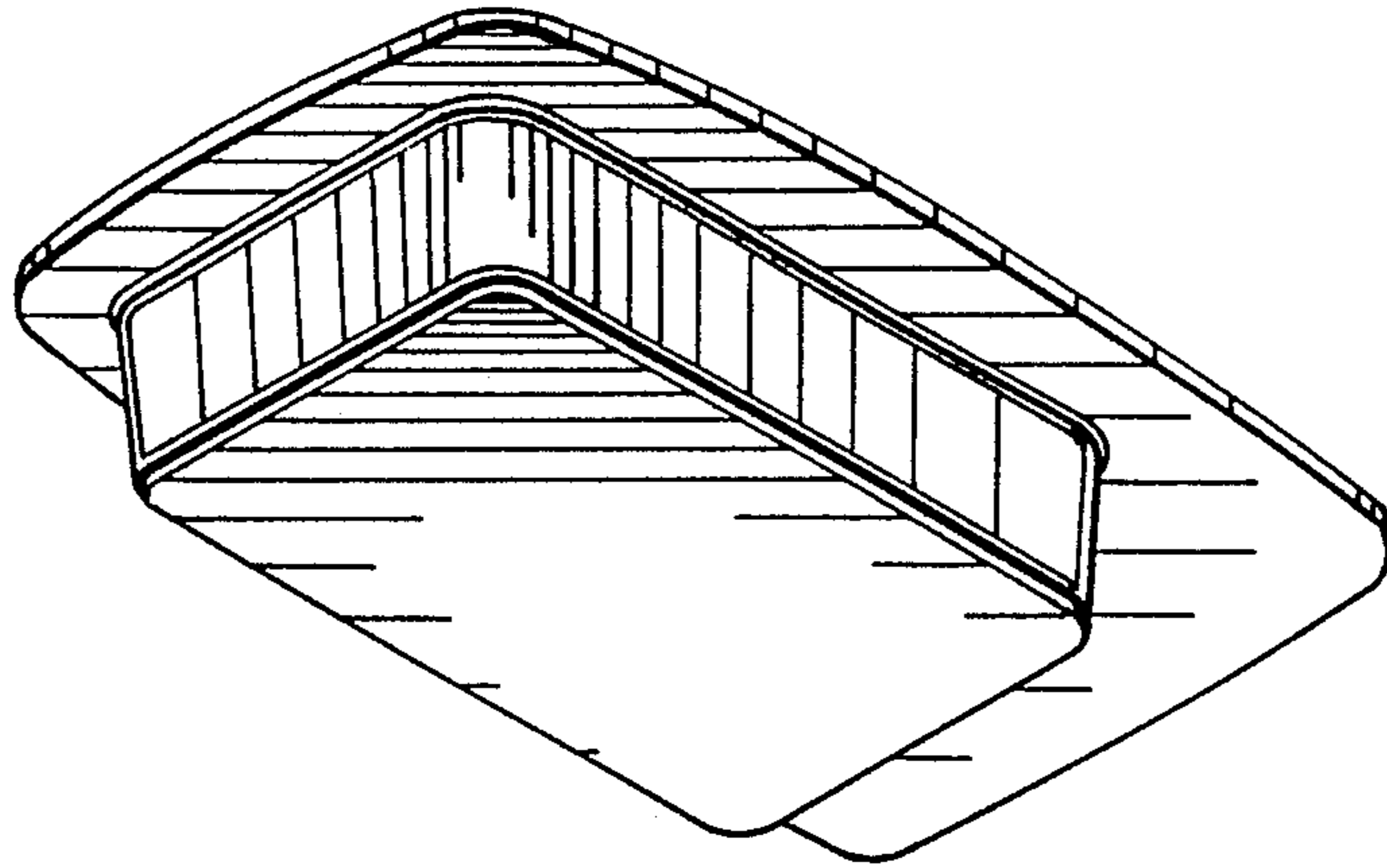


FIG. 10

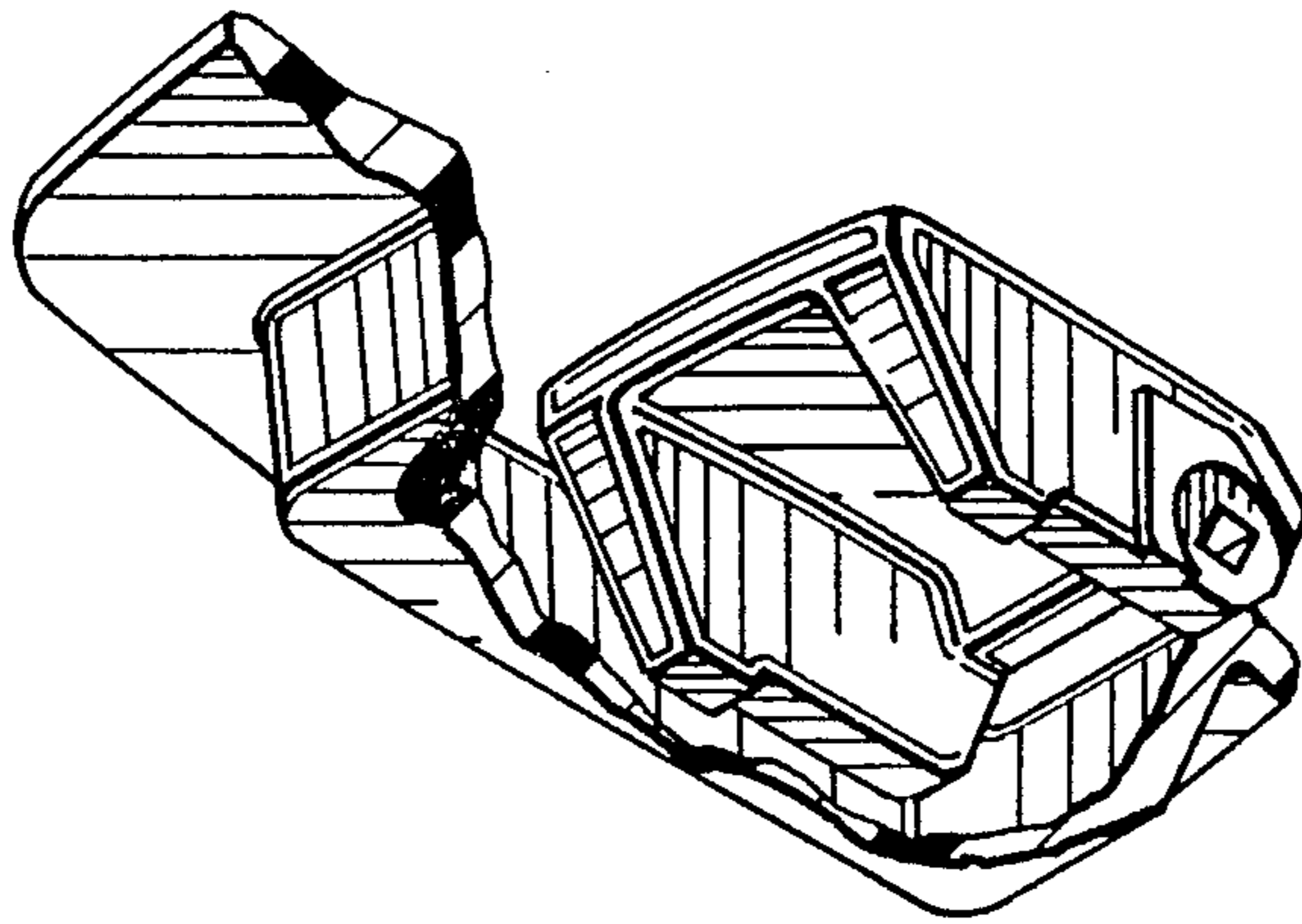


FIG. 11

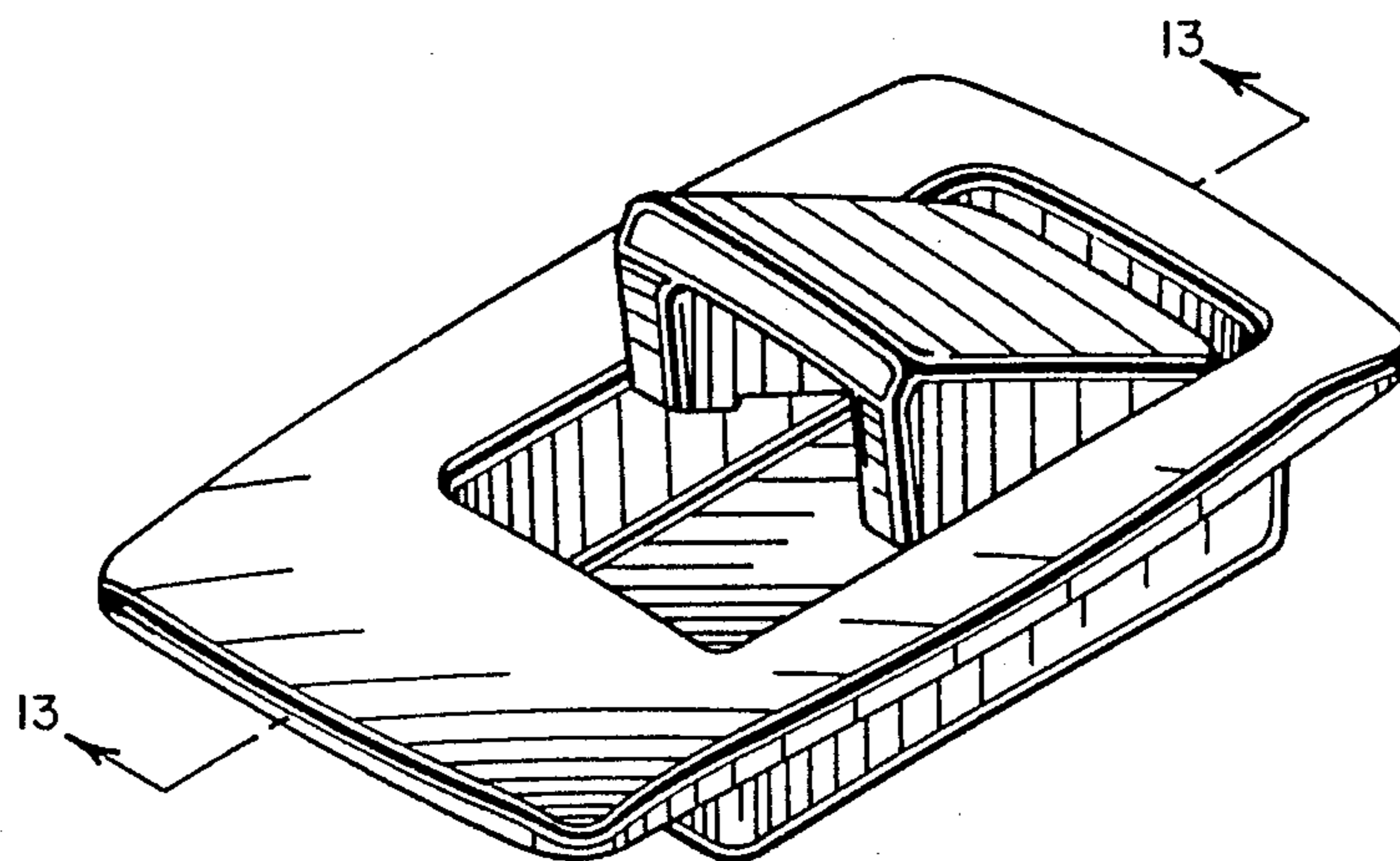


FIG. 12

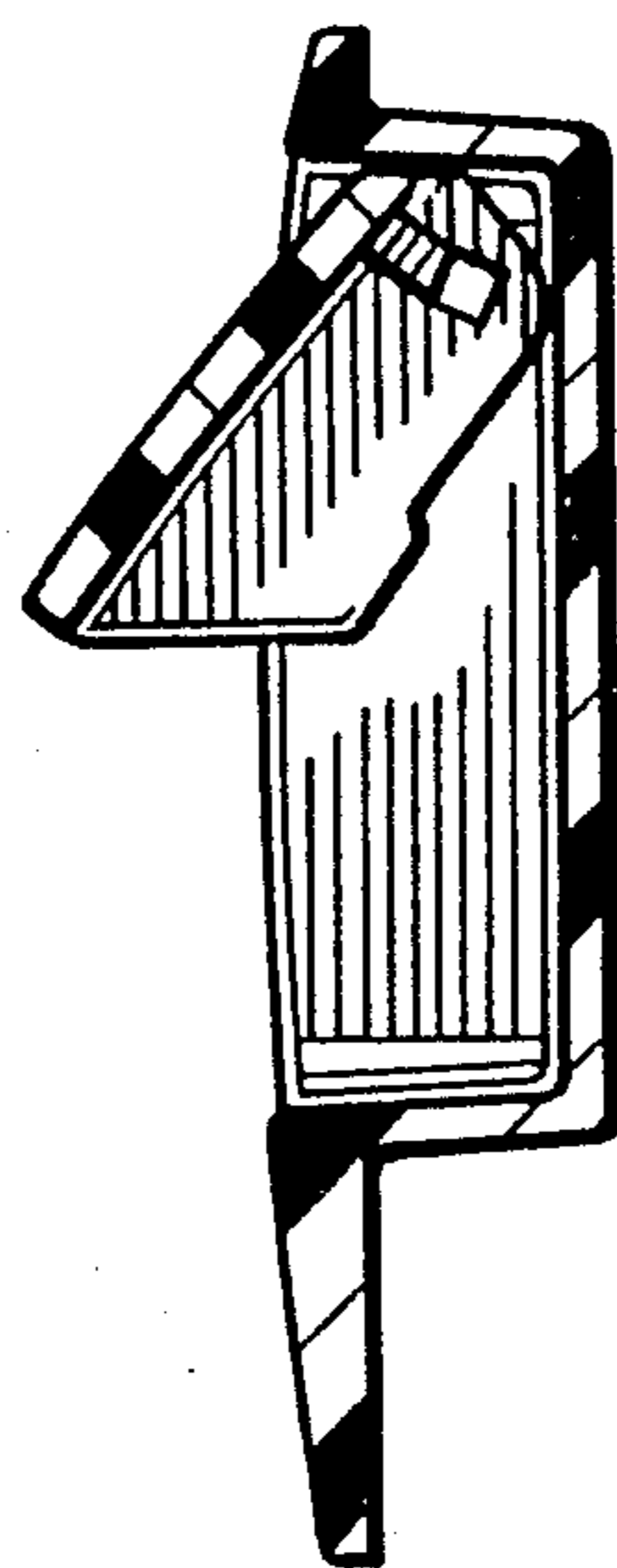


FIG. 13

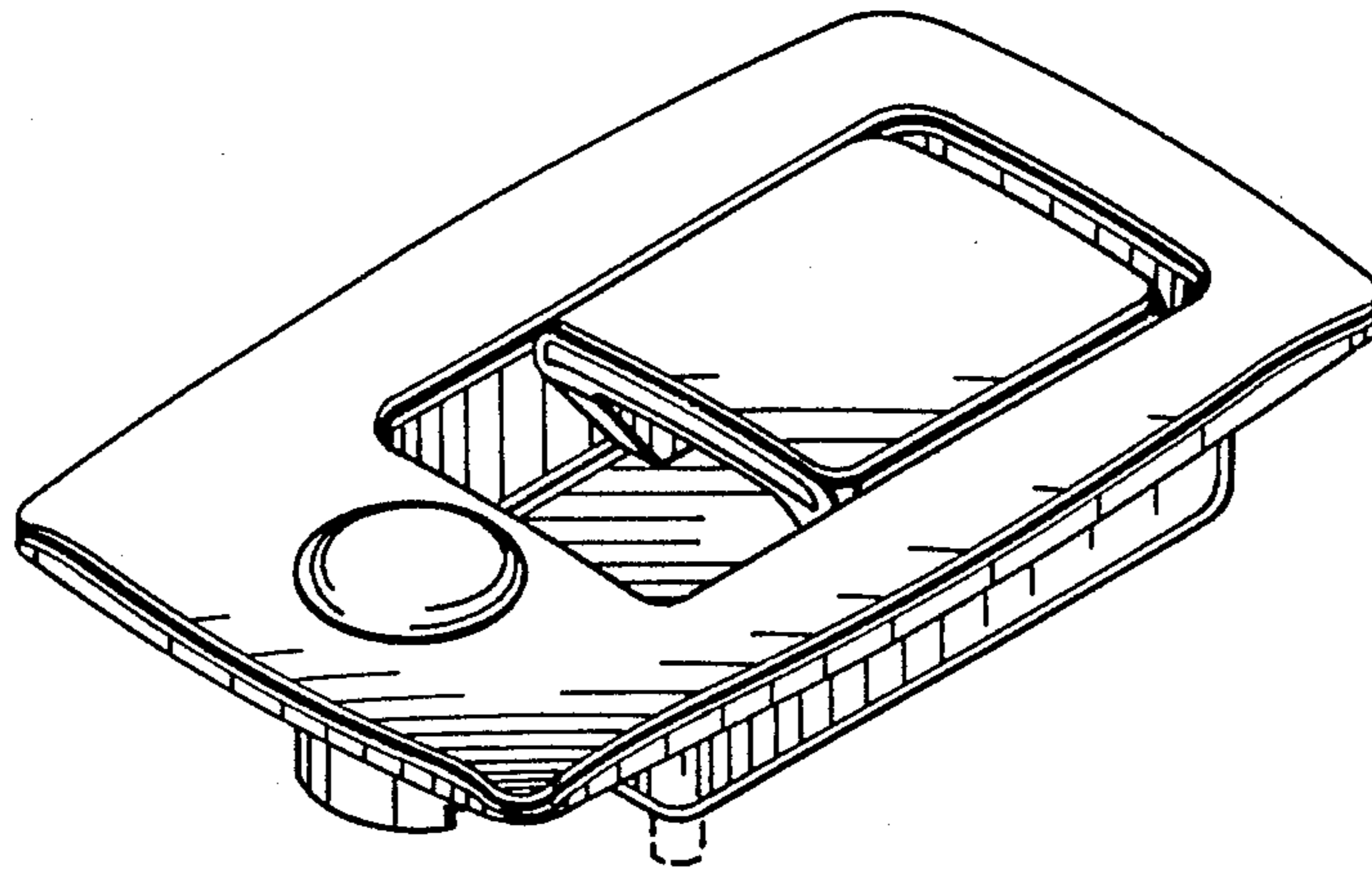


FIG. 14

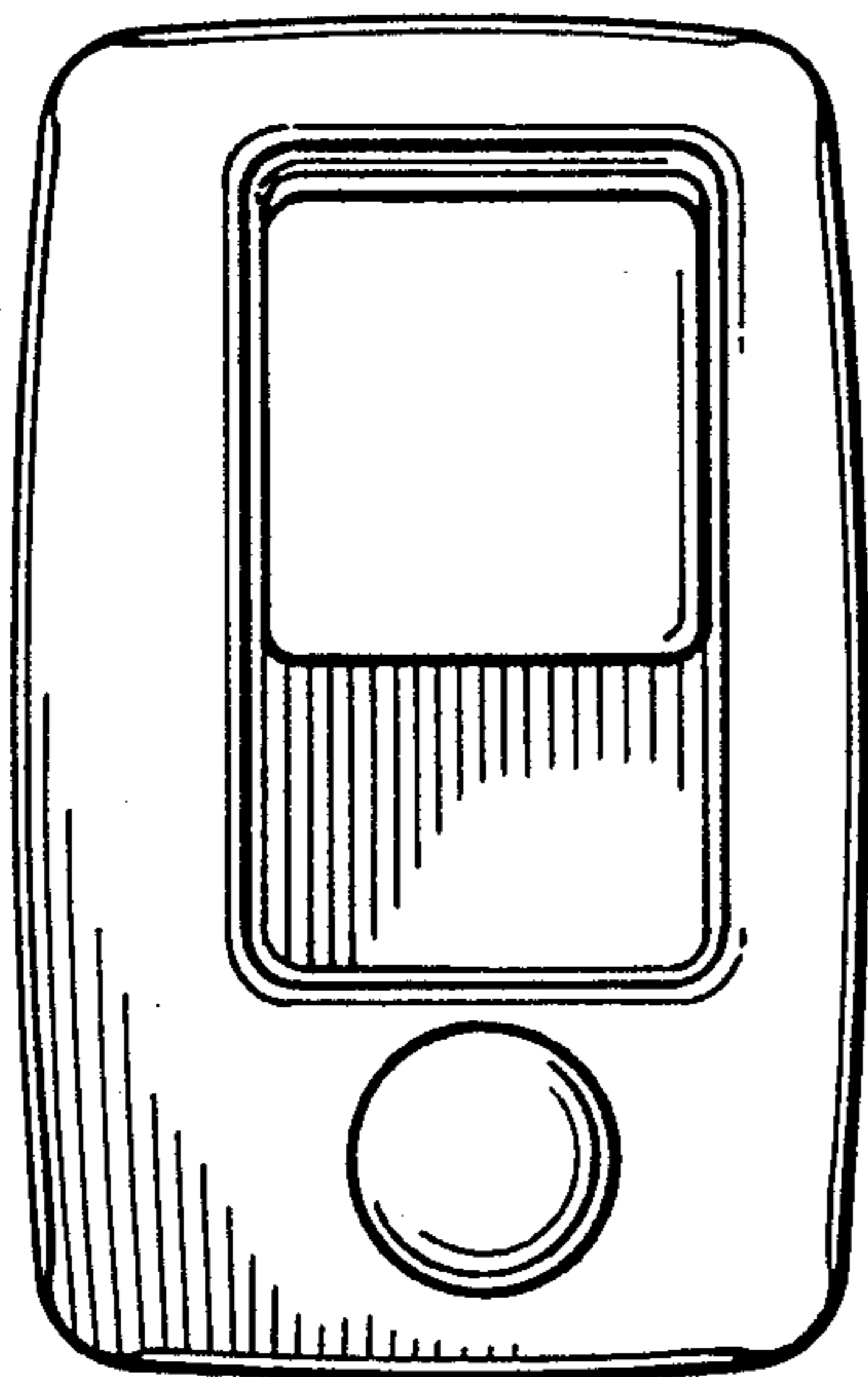


FIG. 15

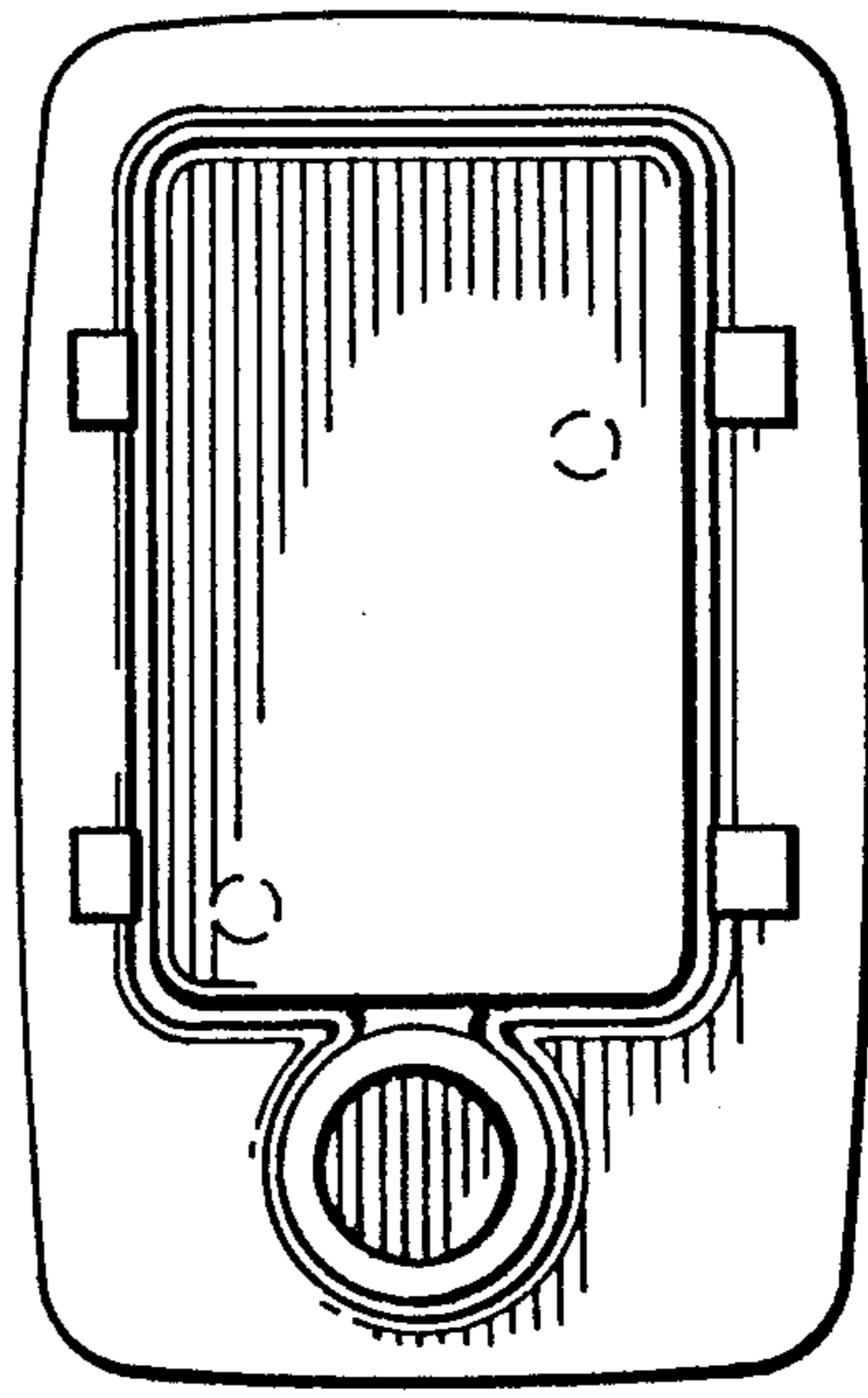


FIG. 16

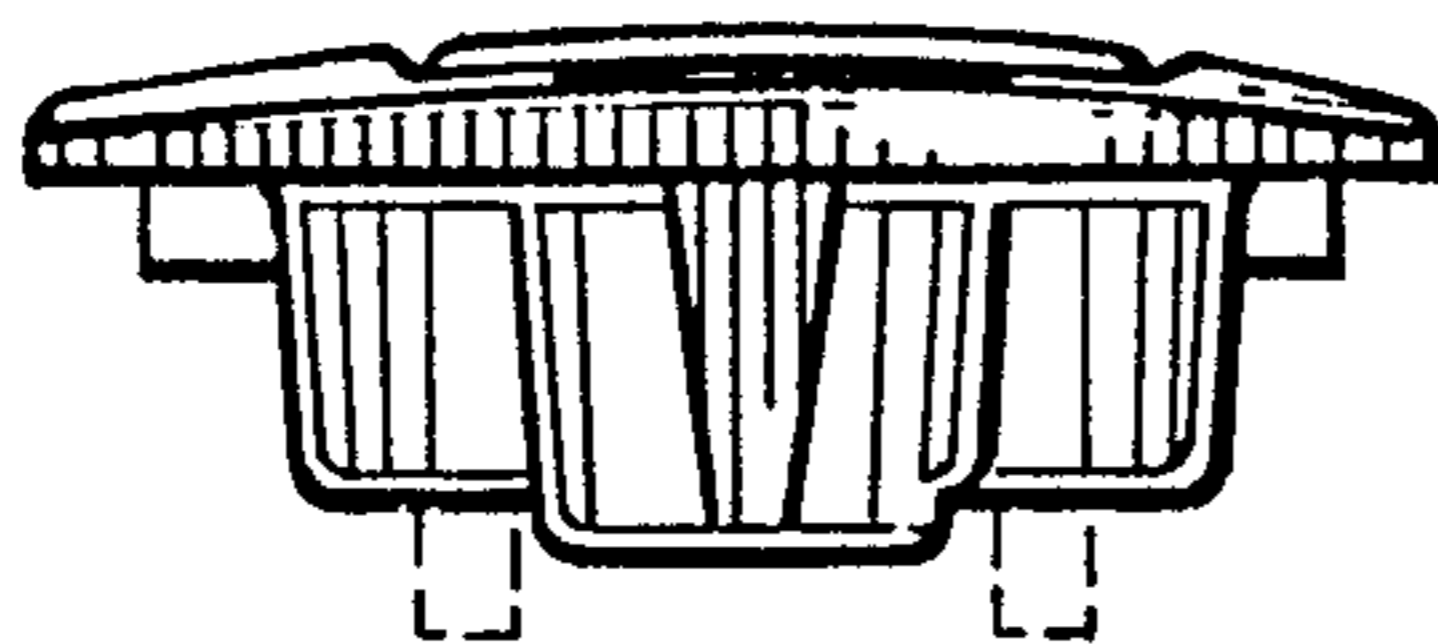


FIG. 17

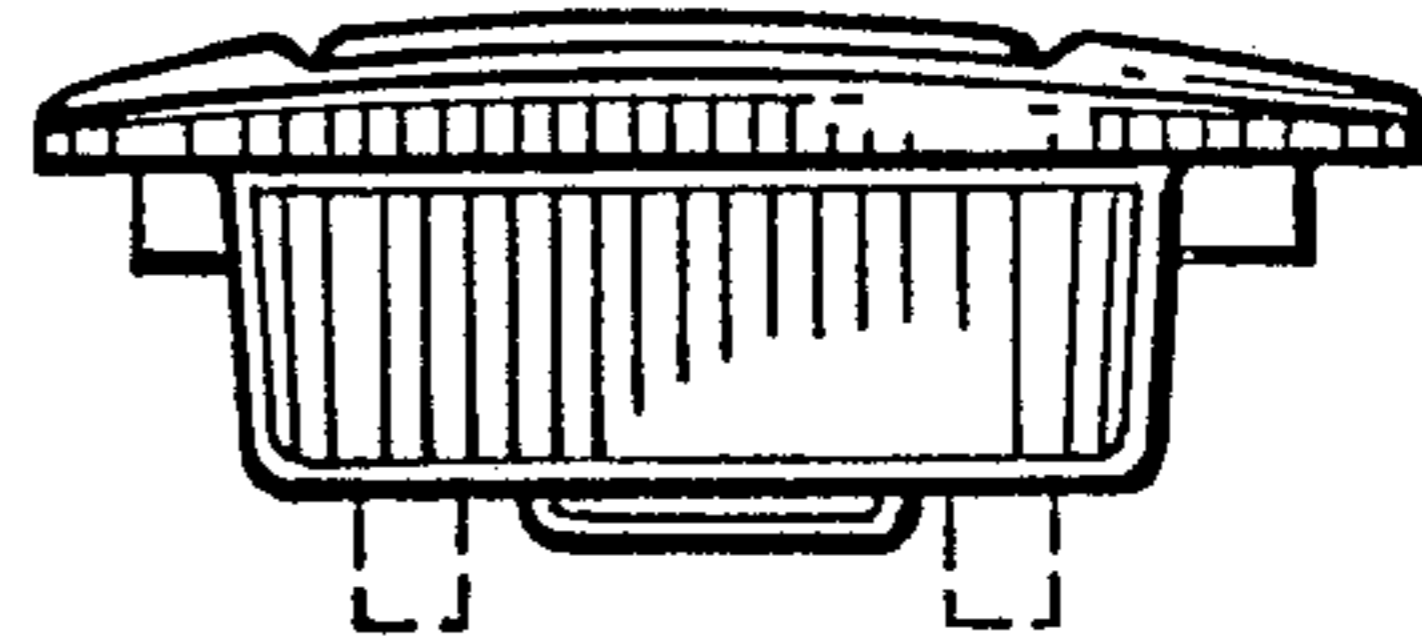


FIG. 18

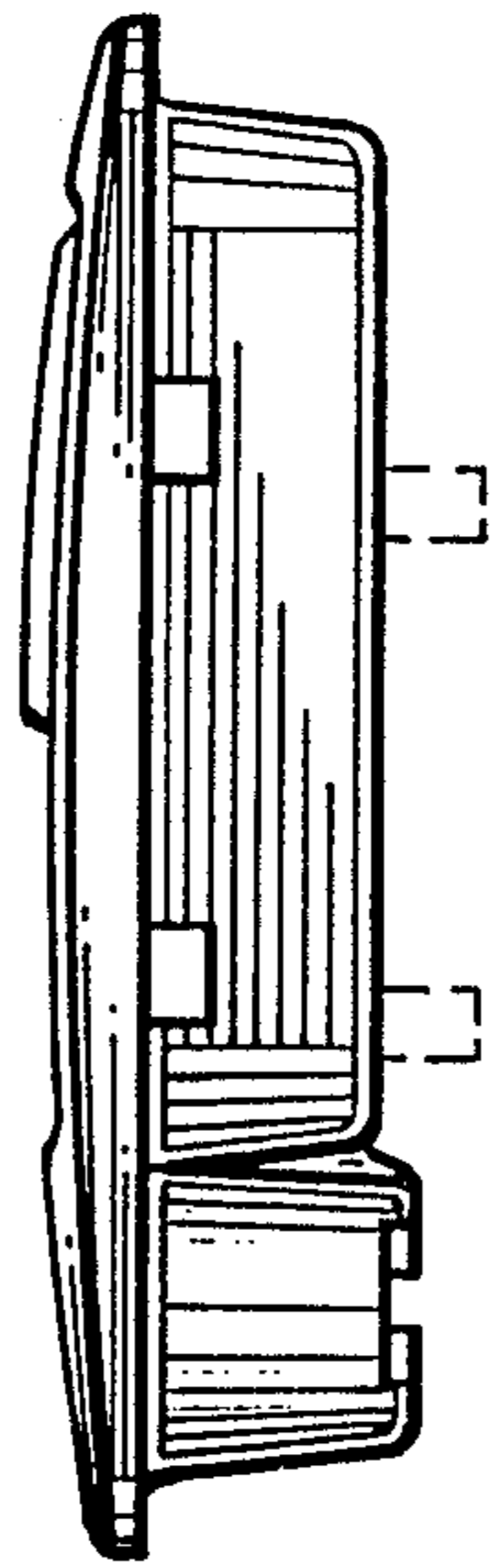


FIG. 19

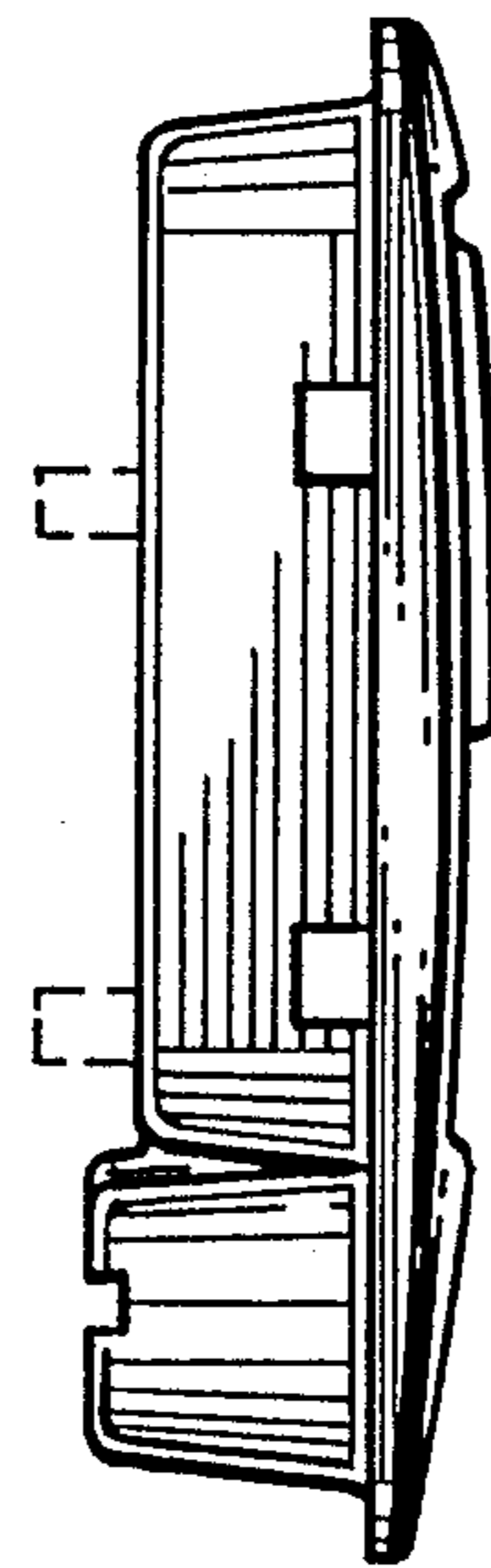


FIG. 20

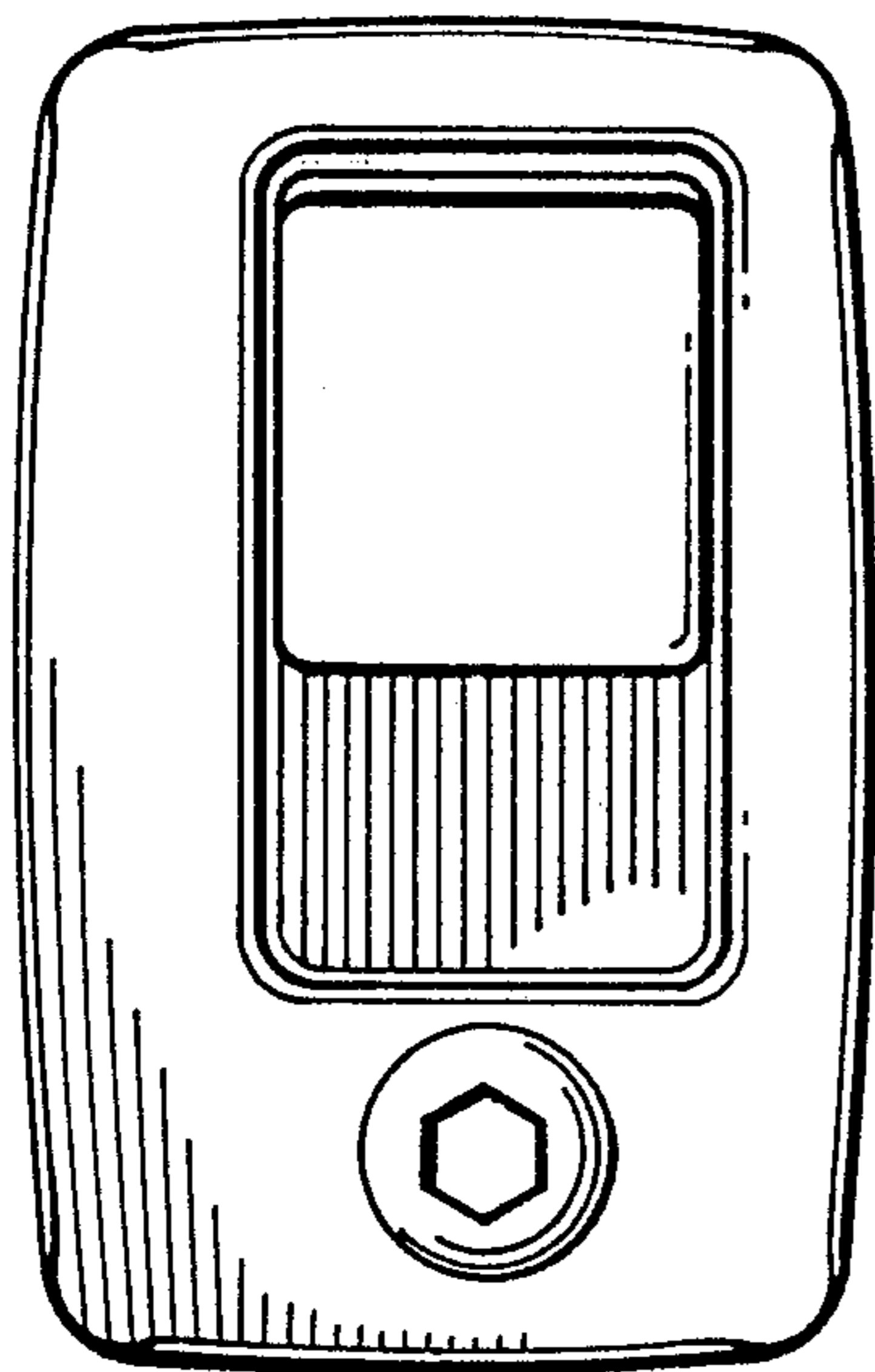


FIG. 21

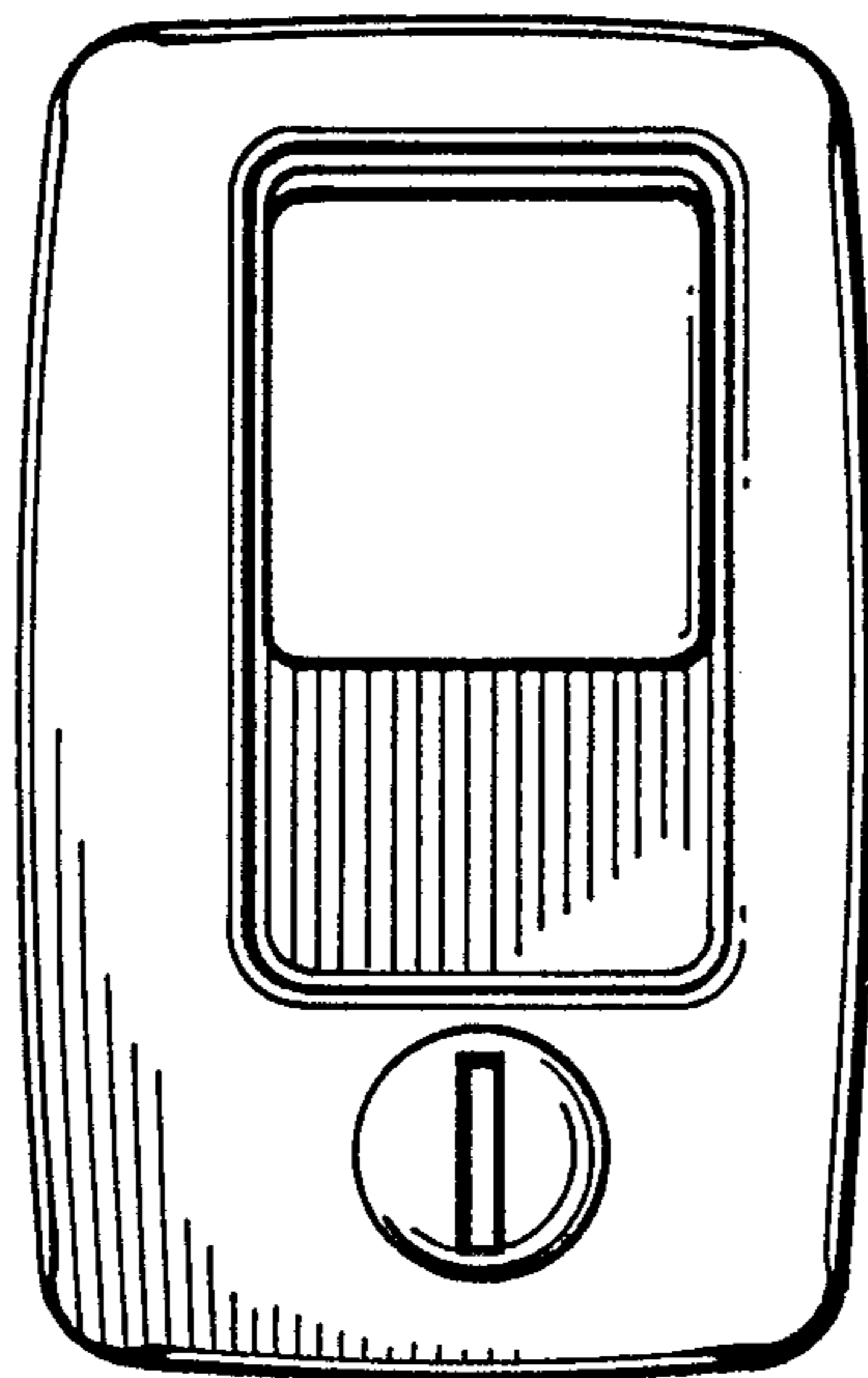


FIG. 22

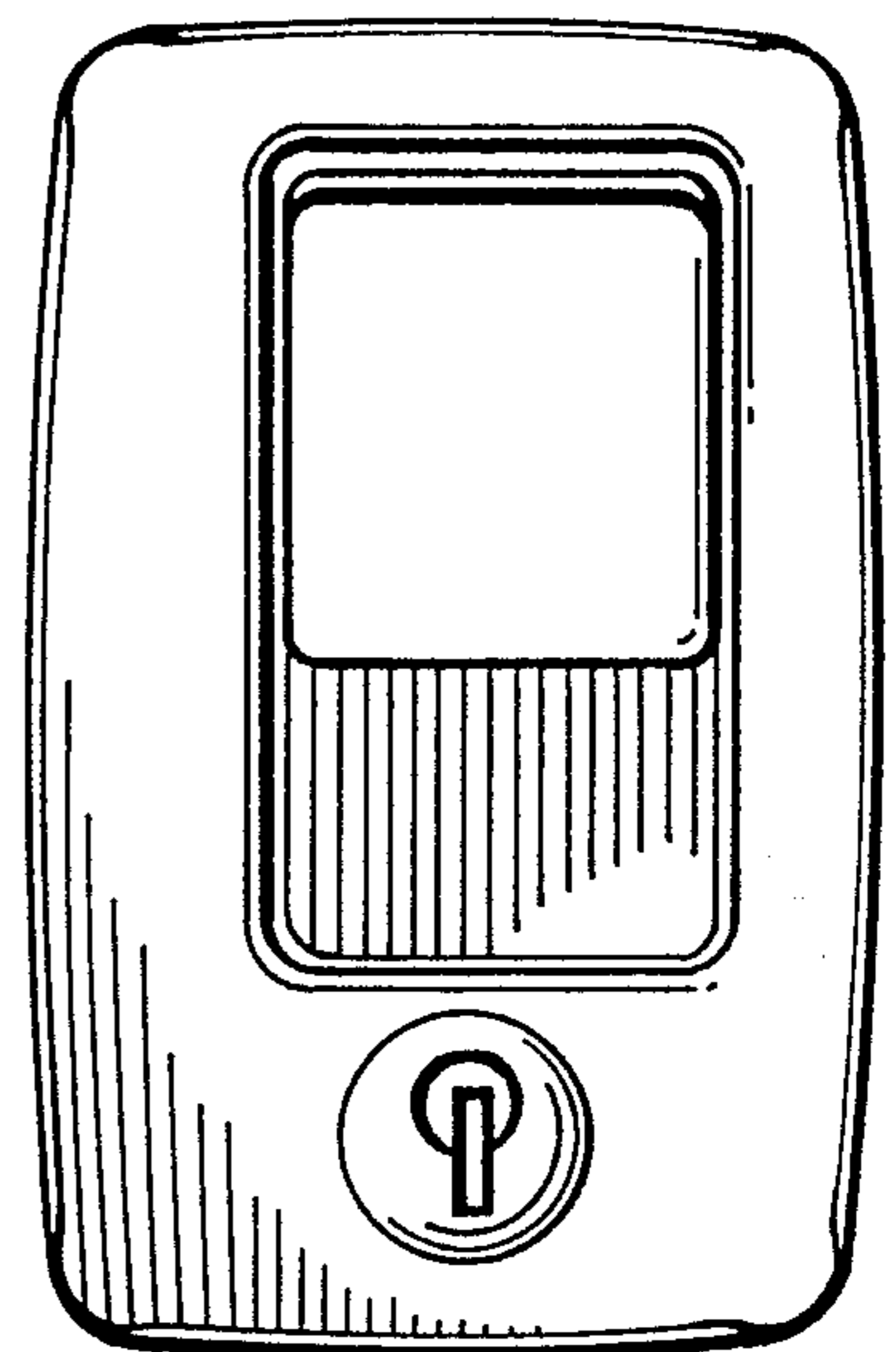


FIG. 23