

[54] **LETTER OPENER**

[75] **Inventor: Norbert Leopoldi, Chicago, Ill.**

[73] **Assignee: The Cloverline Incorporated,
Chicago, Ill.**

[**] **Term: 14 Years**

[21] **Appl. No.: 877,724**

[22] **Filed: Jun. 23, 1986**

[52] **U.S. Cl. D8/102**

[58] **Field of Search D8/102-104;
D19/72, 65; 83/467, 560, 618, 588, 167;
30/DIG. 3, 294**

[56] **References Cited**

U.S. PATENT DOCUMENTS

D. 230,320 2/1974 Lowery D19/65
2,247,840 7/1941 Harrison 30/DIG. 3 X

OTHER PUBLICATIONS

U.S. Gov't. Office & Furnishings Supply catalog, 1982,
p. 292, Model 1528, Paper Punch.

Primary Examiner—Bernard Ansher
Assistant Examiner—Terry A. Pfeffer
Attorney, Agent, or Firm—Robert E. Knechtel; Basil E.
Demeur

[57] **CLAIM**

The ornamental design for a letter opener, as shown and
described.

DESCRIPTION

FIG. 1 is a top, front left side perspective view of a
letter opener showing my new design;
FIG. 2 is a top plan view thereof;
FIG. 3 is a front elevational view thereof;
FIG. 4 is a right side elevational view thereof;
FIG. 5 is a rear elevational view thereof; and
FIG. 6 is a bottom plan view thereof.

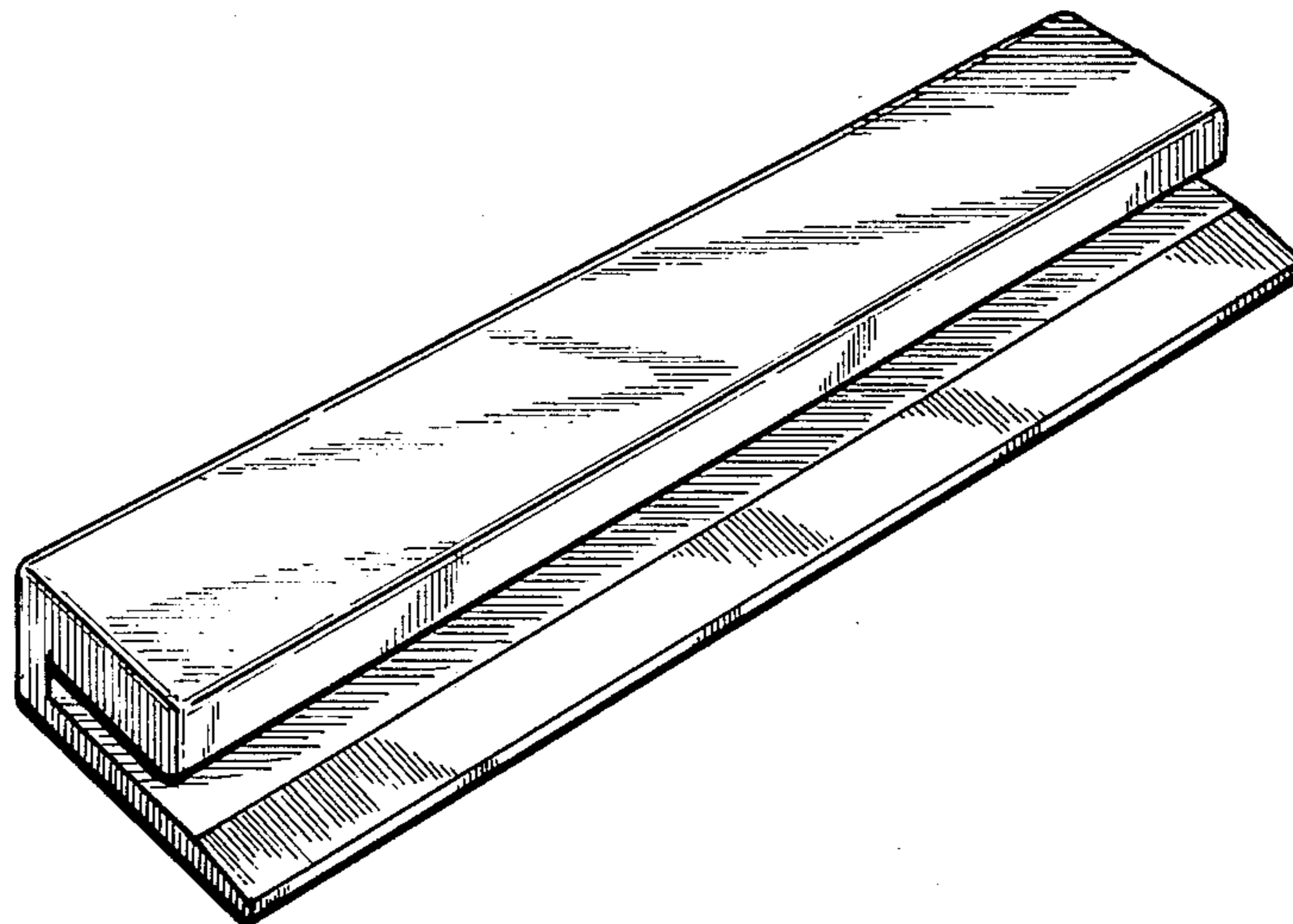


FIG. 1

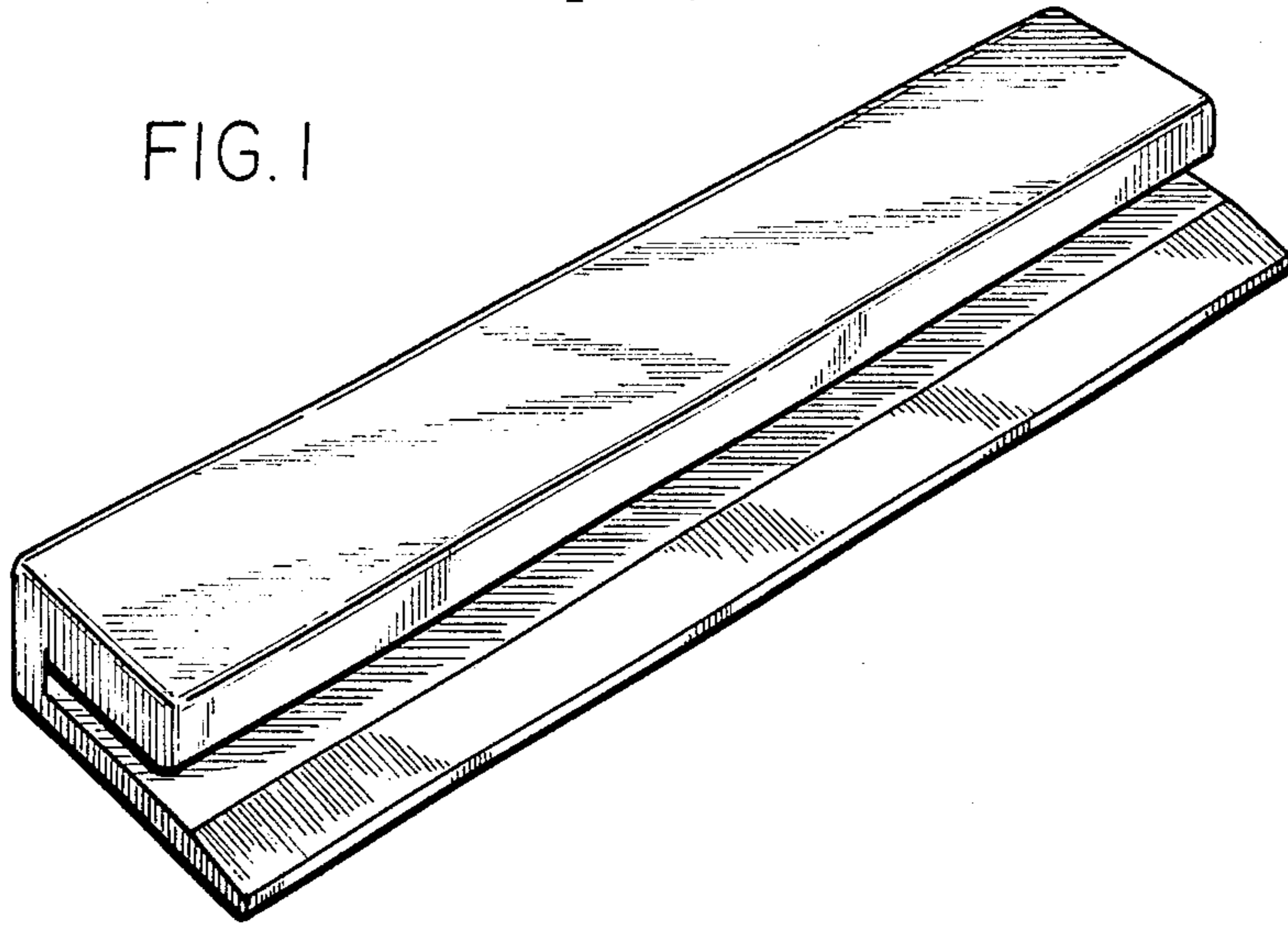


FIG. 2

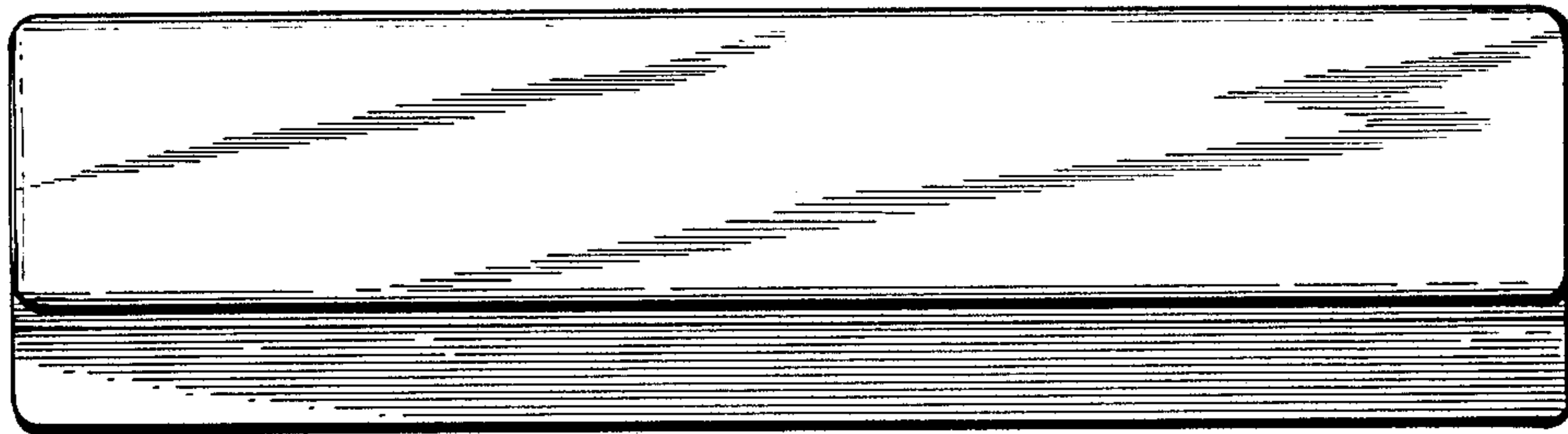


FIG. 3

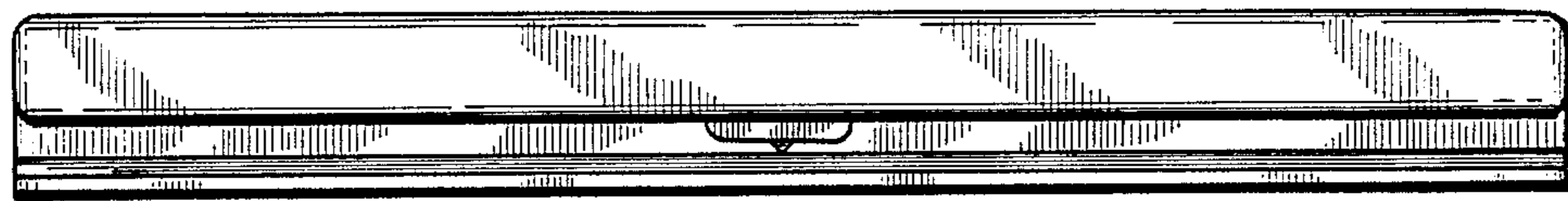


FIG. 4



FIG. 5

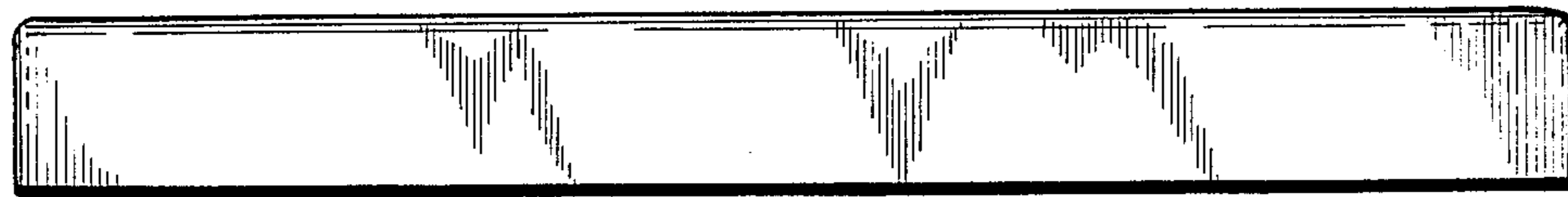


FIG. 6

