

[54] **SINGLE ROTARY CUTTER**

[76] **Inventor: Fred J. Salem, 907 Brandywine Cir.,
Atlanta, Ga. 30338**

[**] **Term: 14 Years**

[21] **Appl. No.: 850,384**

[22] **Filed: Apr. 7, 1986**

Related U.S. Application Data

[63] Continuation-in-part of Ser. No. 620,277, Jun. 13, 1984,
Pat. No. Des. 288,522.

[52] **U.S. Cl. D8/98**

[58] **Field of Search D8/98-100,
D8/107, 51; 30/292, 293, 294, 307, 314, 315,
317**

References Cited

U.S. PATENT DOCUMENTS

D. 235,414 6/1975 Miller D8/98
D. 288,522 3/1987 Salem D8/98

585,291	6/1897	Sohlander	30/292
868,359	10/1907	O'Brien	30/292
2,215,216	9/1940	Gits et al.	30/293 X
4,301,594	11/1981	Okada	30/292
4,432,137	2/1984	Okada	30/292
4,459,747	7/1984	Salem et al.	30/292

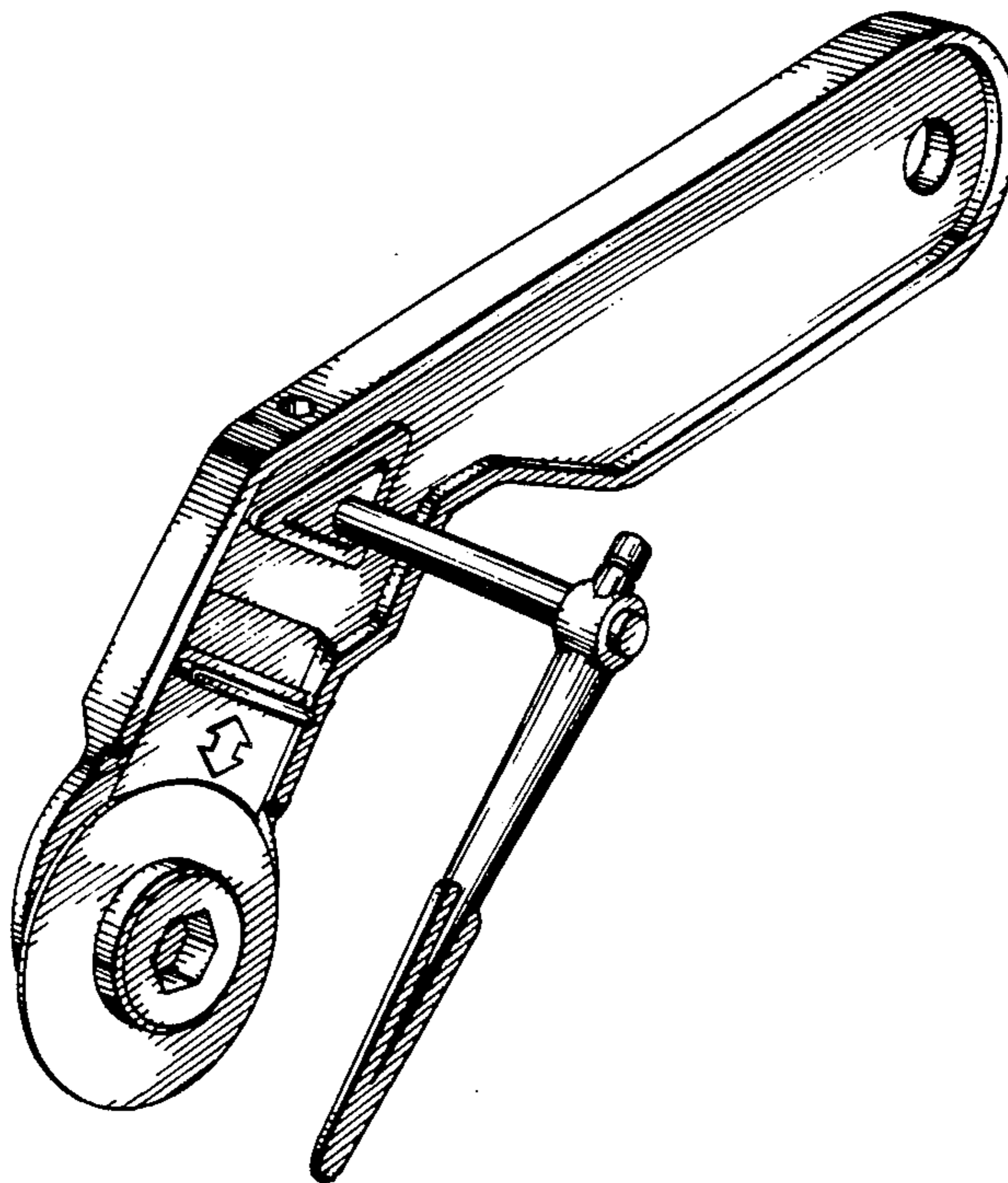
Primary Examiner—Bruce W. Dunkins
Assistant Examiner—Clare E. Heflin
Attorney, Agent, or Firm—Jones, Askew & Lunsford

[57] **CLAIM**

The ornamental design for a single rotary cutter, as shown and described.

DESCRIPTION

FIG. 1 is a perspective view of a single rotary cutter showing my new design;
FIG. 2 is a front elevational view thereof;
FIG. 3 is a rear elevational view thereof;
FIG. 4 is a right side elevational view thereof;
FIG. 5 is a left side elevational view thereof;
FIG. 6 is a top plan view thereof;
FIG. 7 is a bottom plan view thereof.



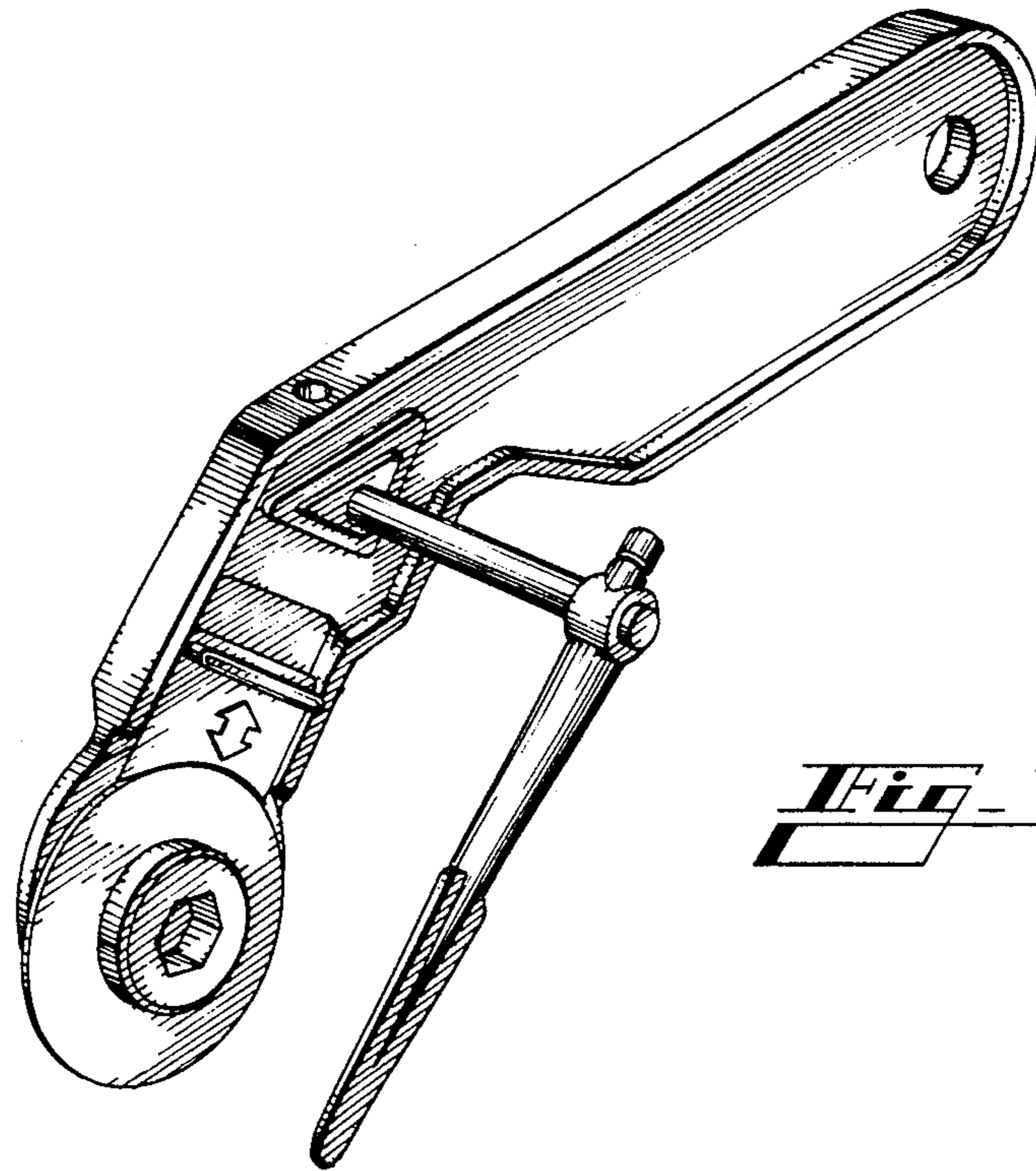


Fig. 1

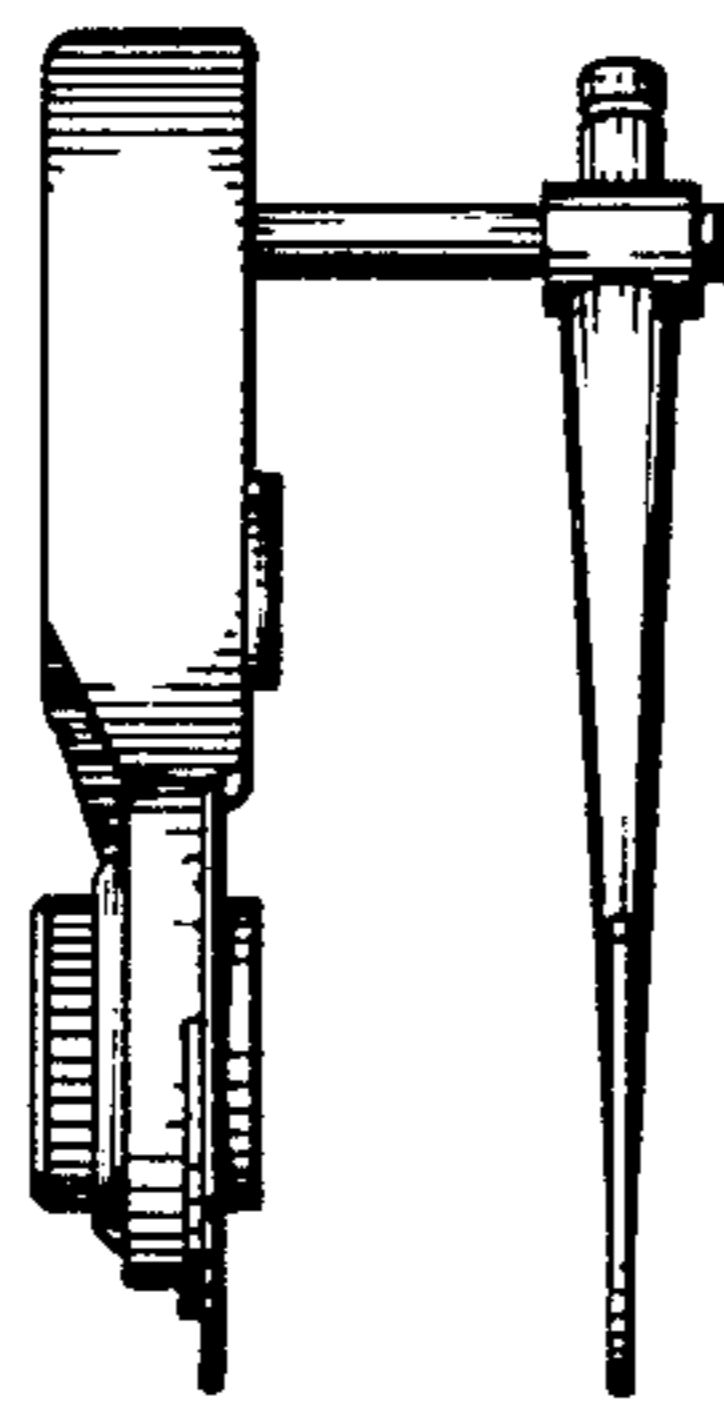


Fig. 2

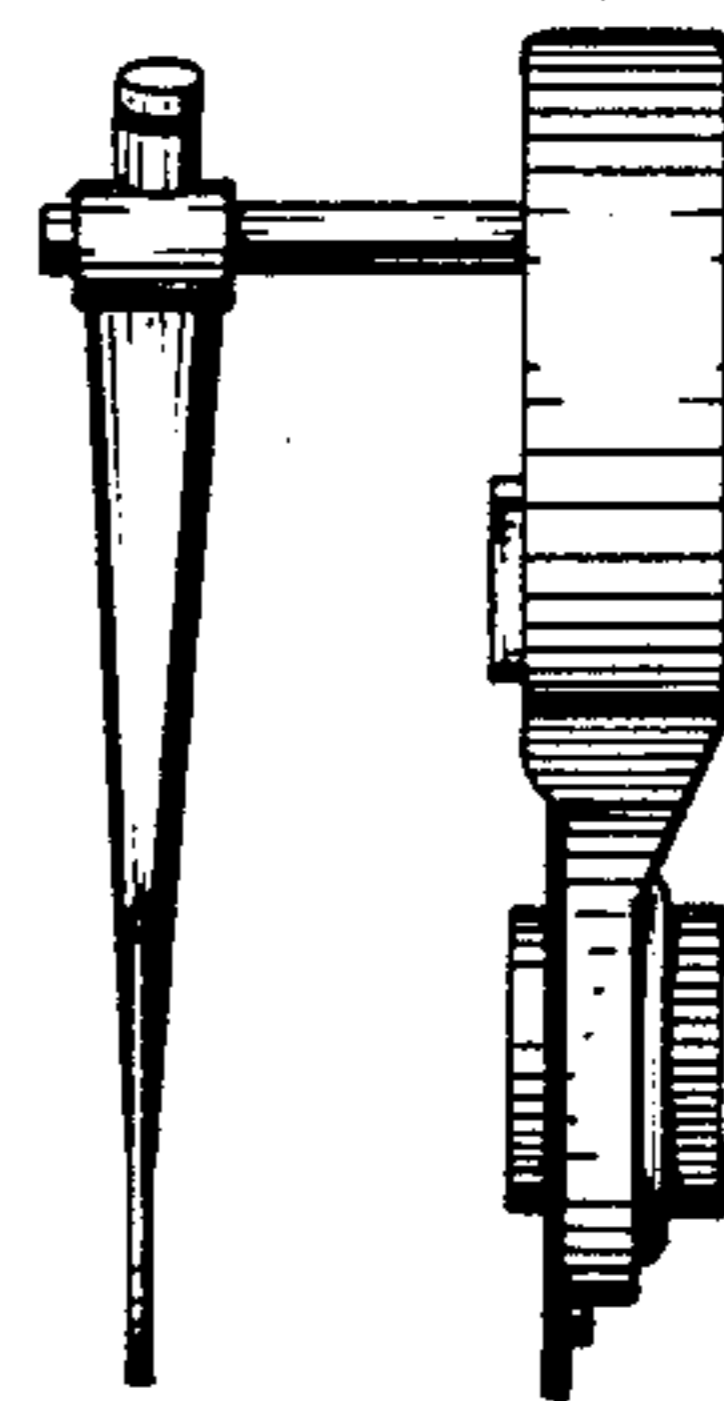


Fig. 3

