

United States Patent [19]

Knispel

[11] Patent Number: **Des. 303,612**

[45] Date of Patent: **** Sep. 26, 1989**

[54] **GLUE GUN**

[75] Inventor: **Barry Knispel, Hillsdale, N.J.**

[73] Assignee: **Electro-Matic Staplers, Inc., Saddle Brook, N.J.**

[**] Term: **14 Years**

[21] Appl. No.: **880,901**

[22] Filed: **Jul. 1, 1986**

[52] U.S. Cl. **D8/14.1; D8/30; D8/68**

[58] Field of Search **D8/14.1, 29.1, 30, 68; 219/242, 247, 229, 227, 259; 222/146.2, 146.5, 173**

[56] **References Cited**

U.S. PATENT DOCUMENTS

D. 226,750 4/1973 Grossman D8/30
3,314,574 4/1967 Longval et al. 222/146.5

3,743,142 7/1973 Elliott et al. 222/146.5
4,379,516 4/1983 Barlogis 222/146.5
4,535,916 8/1985 Mächerle et al. 222/146.2
4,655,372 4/1987 Ross et al. D8/14.1 X
4,776,490 10/1988 Wingert 222/146.5

Primary Examiner—Bruce W. Dunkins

Assistant Examiner—Clare E. Heflin

Attorney, Agent, or Firm—Pasquale A. Razzano

[57] **CLAIM**

The ornamental design for a glue gun, as shown and described.

DESCRIPTION

FIG. 1 is a side elevational view of a glue gun showing my new design, the opposite side being a mirror image thereof;

FIG. 2 is a front elevational view thereof;

FIG. 3 is a top plan view thereof;

FIG. 4 is a bottom plan view thereof;

FIG. 5 is a rear elevational view thereof.

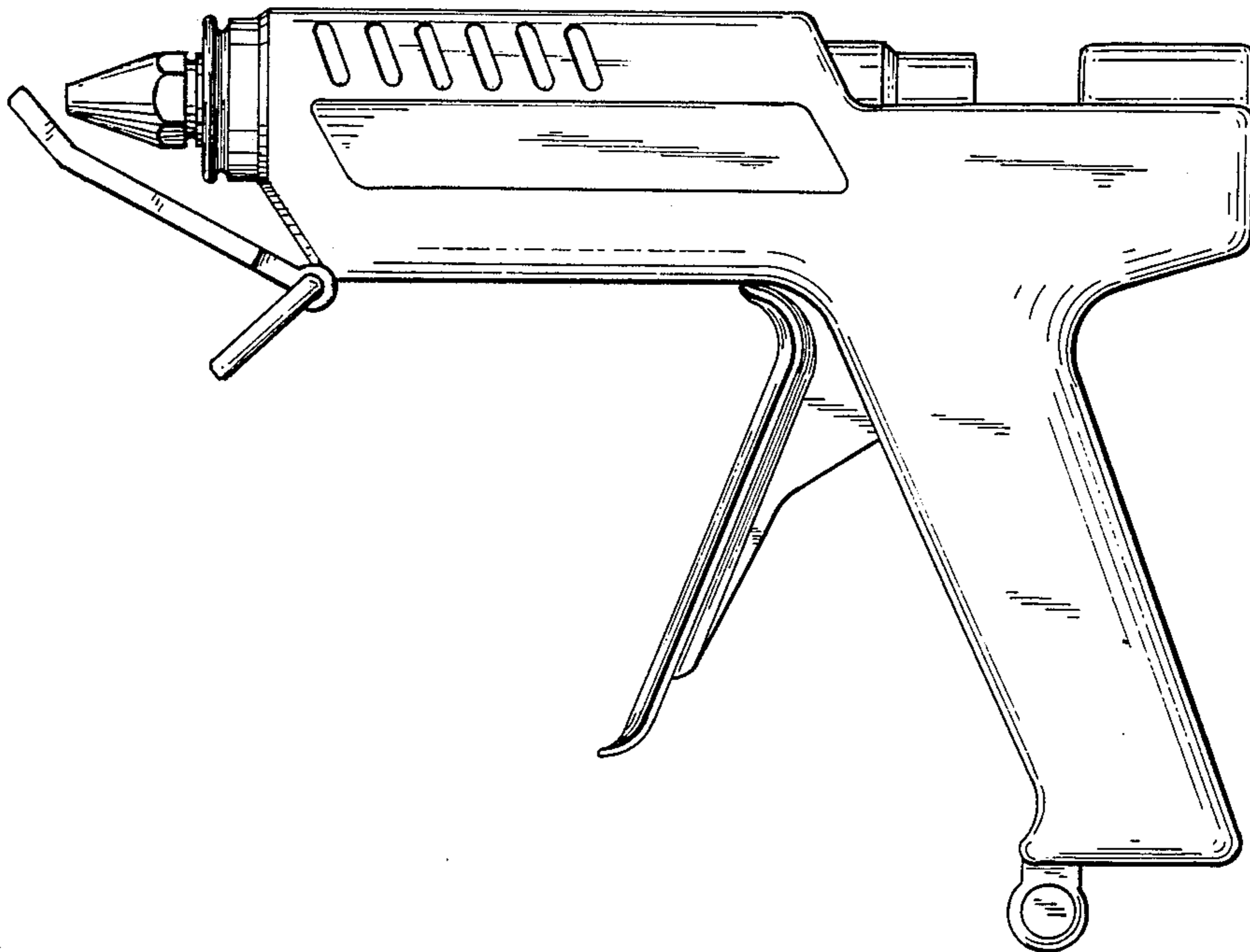


FIG. 1

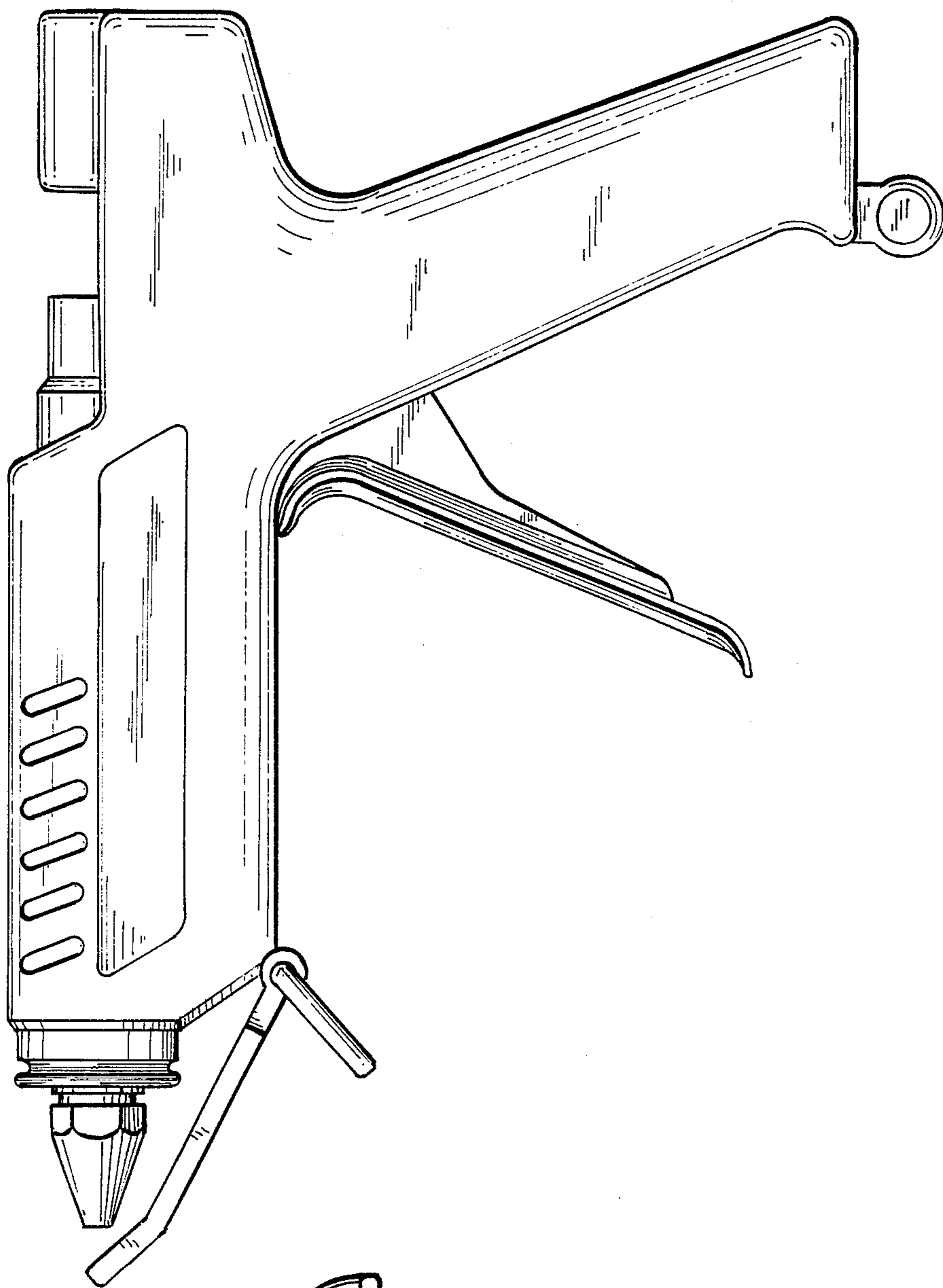


FIG. 2

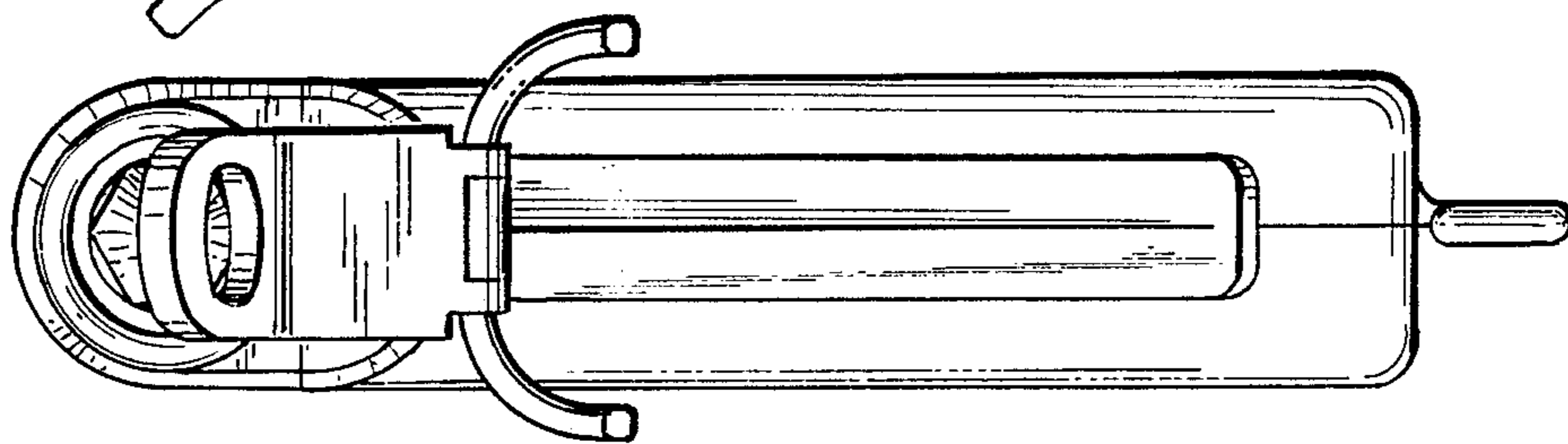


FIG. 3

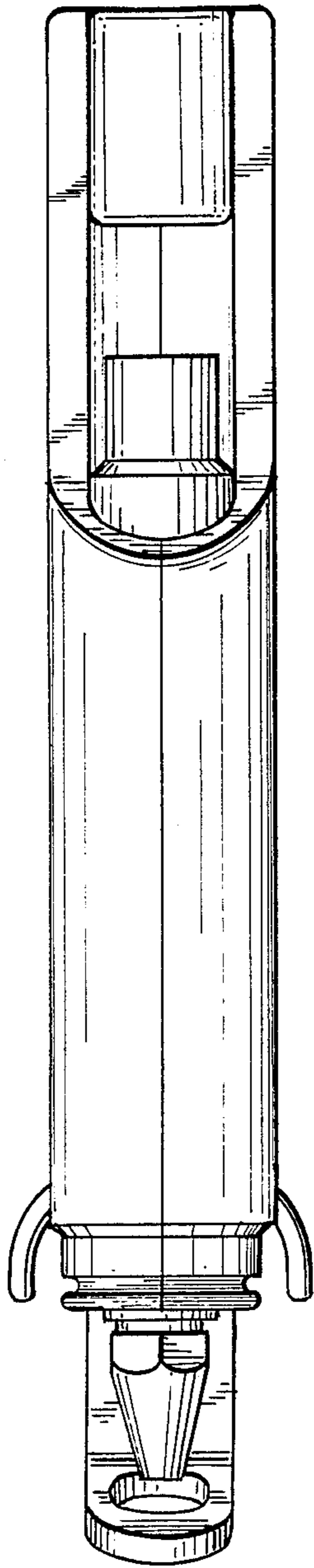


FIG. 4

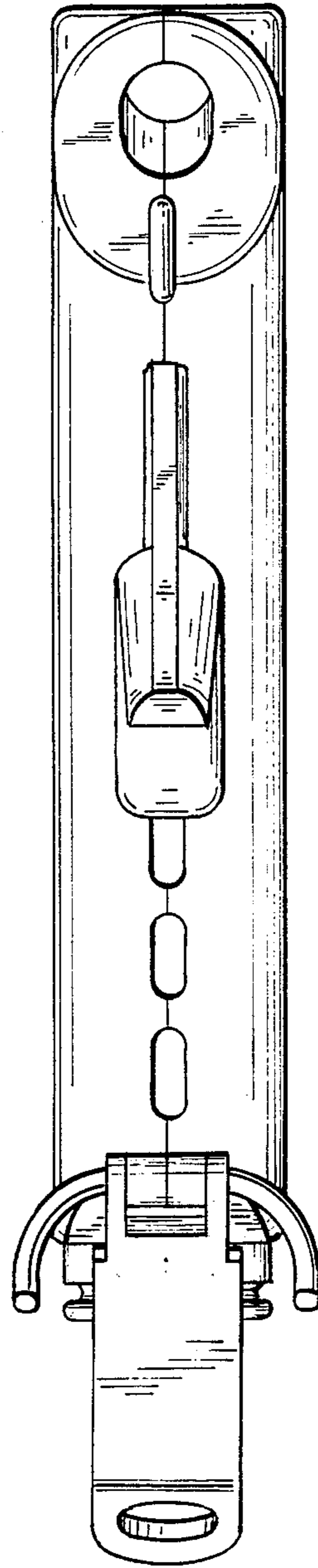


FIG. 5

