

- [54] **COMBINED CORDLESS GLUE GUN AND BASE THEREFOR**
- [76] **Inventors: John W. Spirk, Jr., 50 Stonewood Dr.; John R. Nottingham, 60 Stonewood Dr., both of Moreland Hills, Ohio 44022**
- [\*\*] **Term: 14 Years**
- [21] **Appl. No.: 834,431**
- [22] **Filed: Feb. 19, 1986**
- [52] **U.S. Cl. .... D8/14.1; D8/30; D8/68; D8/71**
- [58] **Field of Search ..... D8/14.1, 61, 68, 71, D8/29.1, 30; 219/242, 247, 229, 227, 259; 222/146.2, 146.5, 173**

3,743,142	7/1973	Elliott et al. ....	222/146.5
3,760,149	9/1973	Harsanyi .....	219/247
3,899,654	8/1975	Walton .....	219/229
3,924,097	12/1975	Knowles et al. ....	219/242
4,045,651	8/1977	Koo .....	219/227
4,199,082	4/1980	Ornstein .....	222/146
4,245,759	1/1981	Baker et al. ....	222/146
4,333,623	6/1982	May .....	248/176
4,358,661	11/1982	Kaderabek .....	219/230
4,379,516	4/1983	Barlogis .....	222/146
4,456,816	6/1984	Fortune .....	219/242
4,535,916	8/1985	Mächerle et al. ....	222/146.2

- [56] **References Cited**
- U.S. PATENT DOCUMENTS**
- D. 234,905 4/1975 Foster et al. .... D8/71
  - D. 255,771 7/1980 Cruz .....
  - 723,634 3/1903 Ayer .
  - 905,459 12/1908 Rice, Jr. .
  - 925,050 6/1909 Sprenger .
  - 1,554,347 9/1925 Hansen et al. .
  - 1,655,708 1/1928 Moyer .
  - 2,020,110 11/1935 Duvall ..... 219/25
  - 2,058,068 10/1936 Duvall ..... 219/25
  - 2,454,875 11/1948 Hyde ..... 113/105
  - 2,550,748 5/1951 Woltz ..... 219/242
  - 2,556,609 6/1951 Arkless ..... 154/42
  - 2,681,685 6/1954 Arkless ..... 154/42
  - 2,952,763 9/1960 Gustafsson ..... 219/27
  - 2,995,159 8/1961 Berggren ..... 141/82
  - 3,002,077 9/1961 Caliri ..... 219/26
  - 3,141,087 7/1964 Schoenwald ..... 219/233
  - 3,141,956 7/1964 Schoenwald ..... 219/233
  - 3,204,828 9/1965 Paulsen ..... 222/146
  - 3,281,576 10/1966 Cooper et al. .... 219/421
  - 3,293,528 12/1966 Rosen et al. .... 219/242
  - 3,314,574 4/1967 Longval et al. .... 222/146
  - 3,316,385 4/1967 Anton ..... 219/236
  - 3,413,742 12/1968 LeSueur et al. .... 38/96
  - 3,443,059 5/1969 Spencer ..... 219/233
  - 3,459,335 8/1969 Cohen et al. .... 222/146
  - 3,531,038 9/1970 Dezzani ..... 228/41
  - 3,543,968 12/1970 Reighard et al. .... 222/146
  - 3,707,258 12/1972 Schlitt ..... 228/52

**FOREIGN PATENT DOCUMENTS**

106500	6/1985	Japan .....	219/247
296541	9/1928	United Kingdom .	
815013	6/1959	United Kingdom .	
1470963	4/1977	United Kingdom .	
1590133	5/1981	United Kingdom .	
2123683	2/1984	United Kingdom .	
2140284	11/1984	United Kingdom .	

**OTHER PUBLICATIONS**

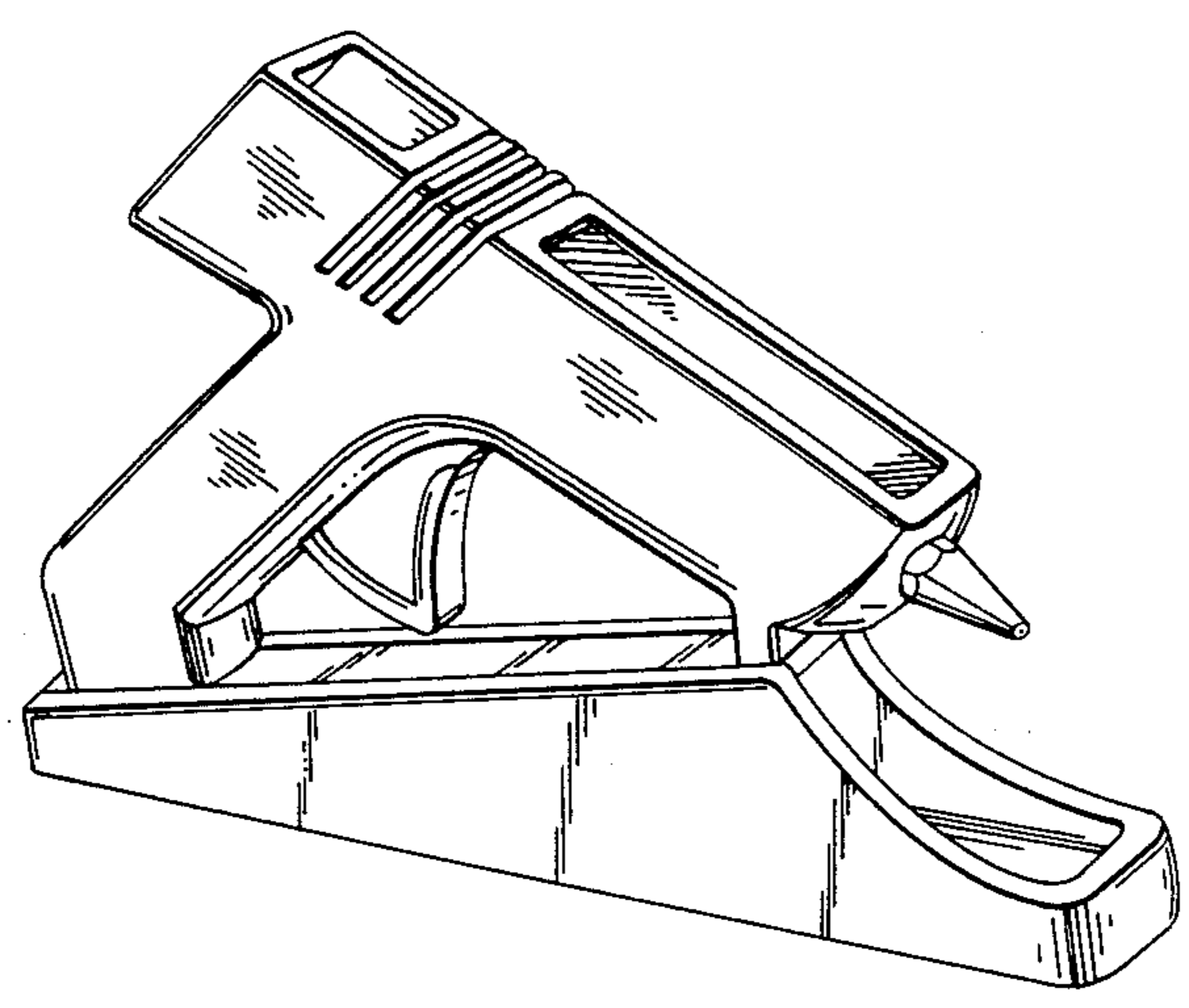
Hardware Age, Apr. 15, 1971, p. 15, Weller's Automatic Glue Gun.  
 Popular Science, May 1987, p. 96, Cordless Glue Gun in bottom right photo.

*Primary Examiner*—Bruce W. Dunkins  
*Assistant Examiner*—Clare E. Heflin  
*Attorney, Agent, or Firm*—Calfee, Halter & Griswold

[57] **CLAIM**  
 The ornamental design for a combined cordless glue gun and base therefor, as shown and described.

**DESCRIPTION**

FIG. 1 is a perspective view of the combined cordless glue gun and base therefor showing our new design; FIG. 2 is a side elevational view thereof, the opposite side being a mirror image; FIG. 3 is a front elevational view thereof; FIG. 4 is a rear elevational view thereof; FIG. 5 is a top plan view thereof; FIG. 6 is a bottom plan view thereof; FIG. 7 is a reduced perspective view of the stand portion of the combined cordless glue gun and base therefor, showing our new design;



## Des. 303,611

Page 2

---

FIG. 8 is an enlarged front elevational view thereof;  
FIG. 9 is an enlarged front elevational view of an alternate embodiment thereof, the exterior thereof being identical to the other Figs;  
FIG. 10 is an enlarged rear elevational view thereof;  
FIG. 11 is a top plan view thereof;  
FIG. 12 is a side elevational view thereof, the opposite side being a mirror image;  
FIG. 13 is a reduced perspective view of the gun por-

tion of the combined cordless glue gun and base therefor showing our new design;

FIG. 14 is a side elevational view thereof, the opposite side being a mirror image;

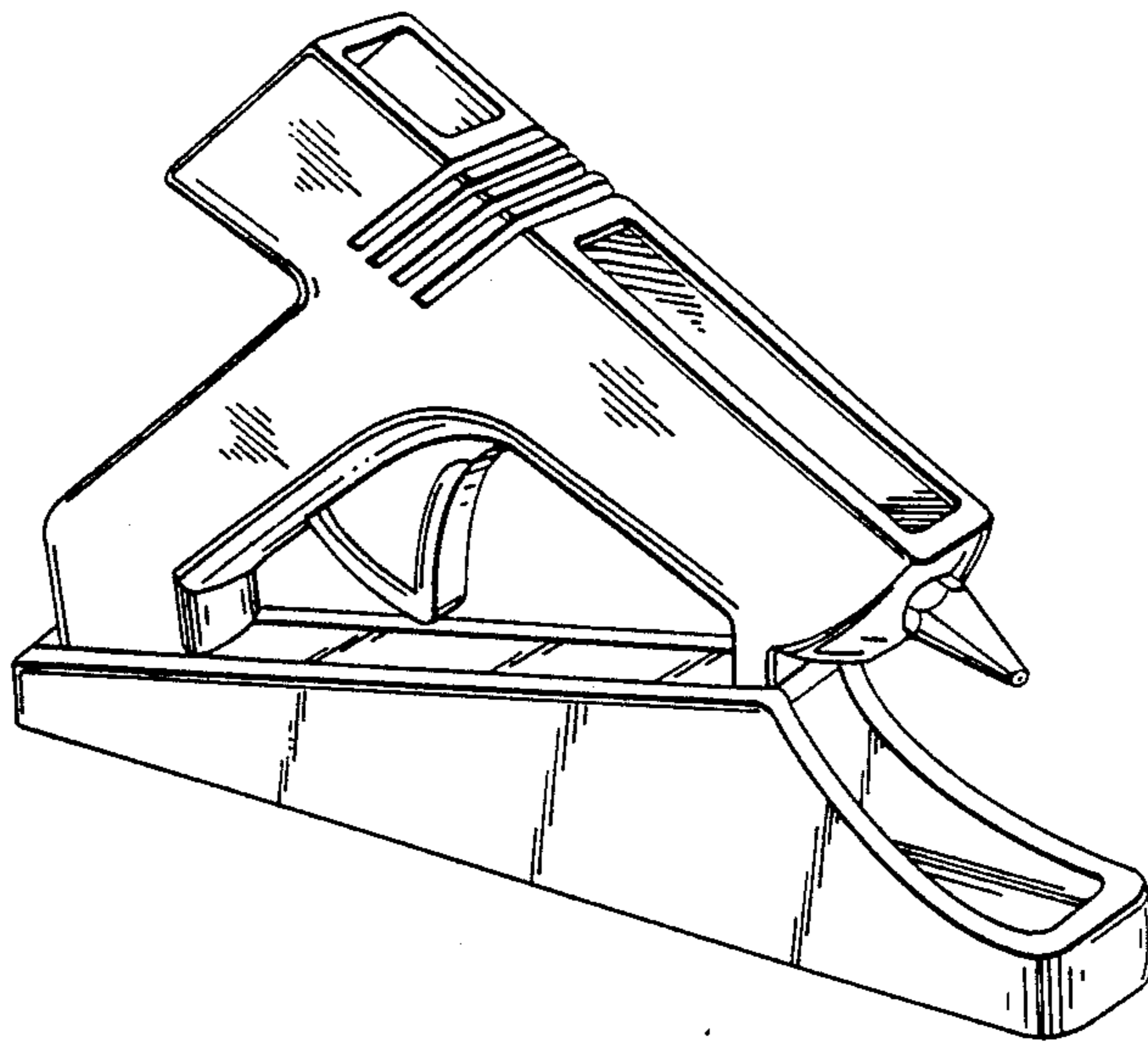
FIG. 15 is a bottom plan view thereof;

FIG. 16 is a front elevational view thereof;

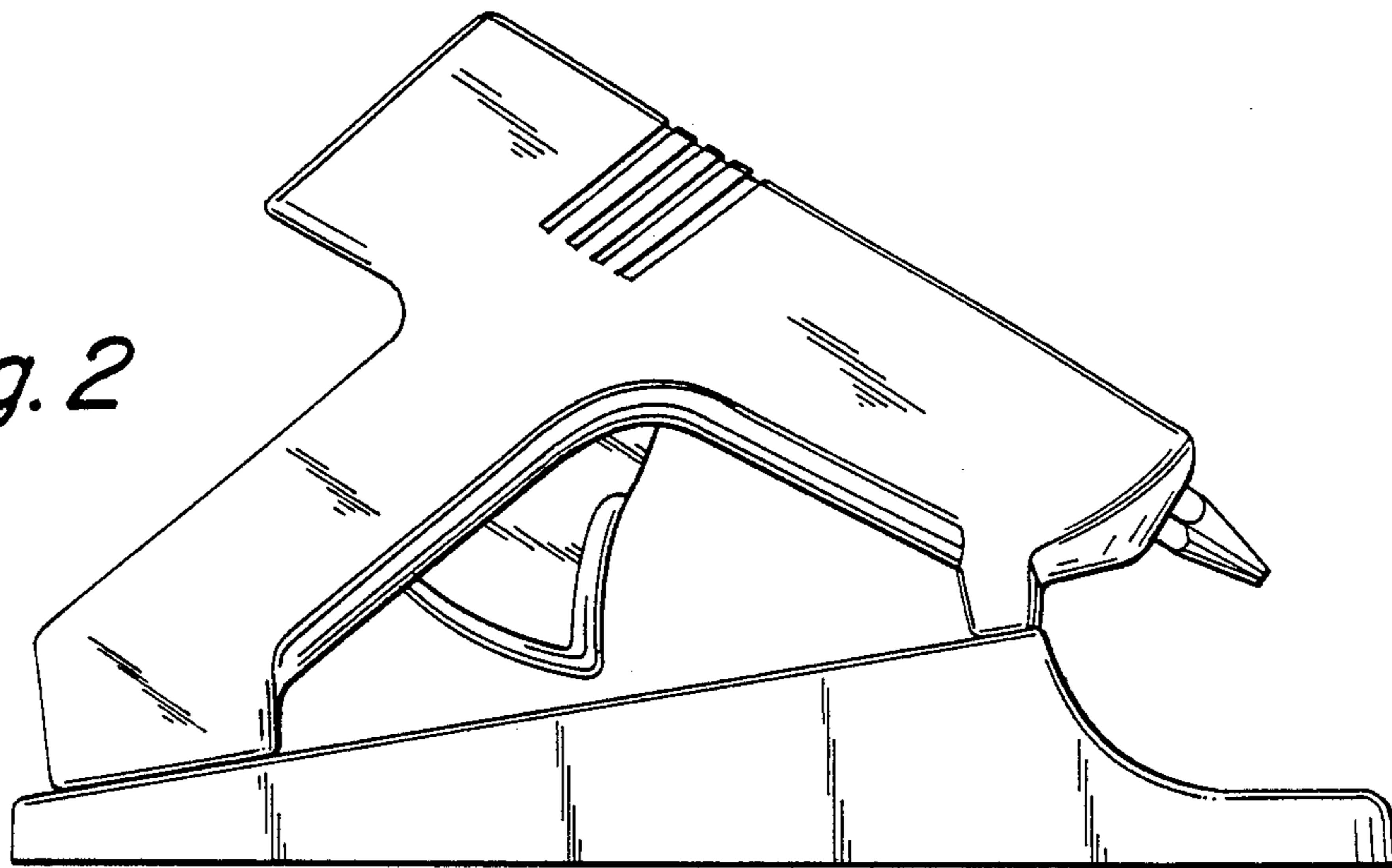
FIG. 17 is a rear elevational view thereof;

FIG. 18 is a top plan view thereof.

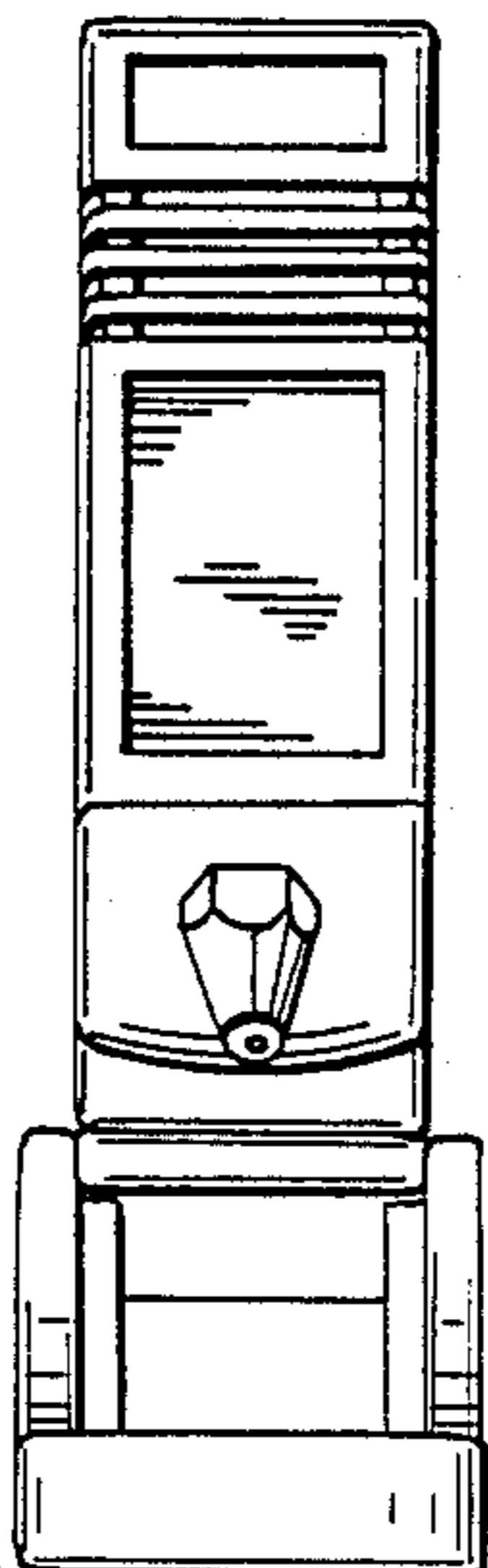
*Fig. 1*



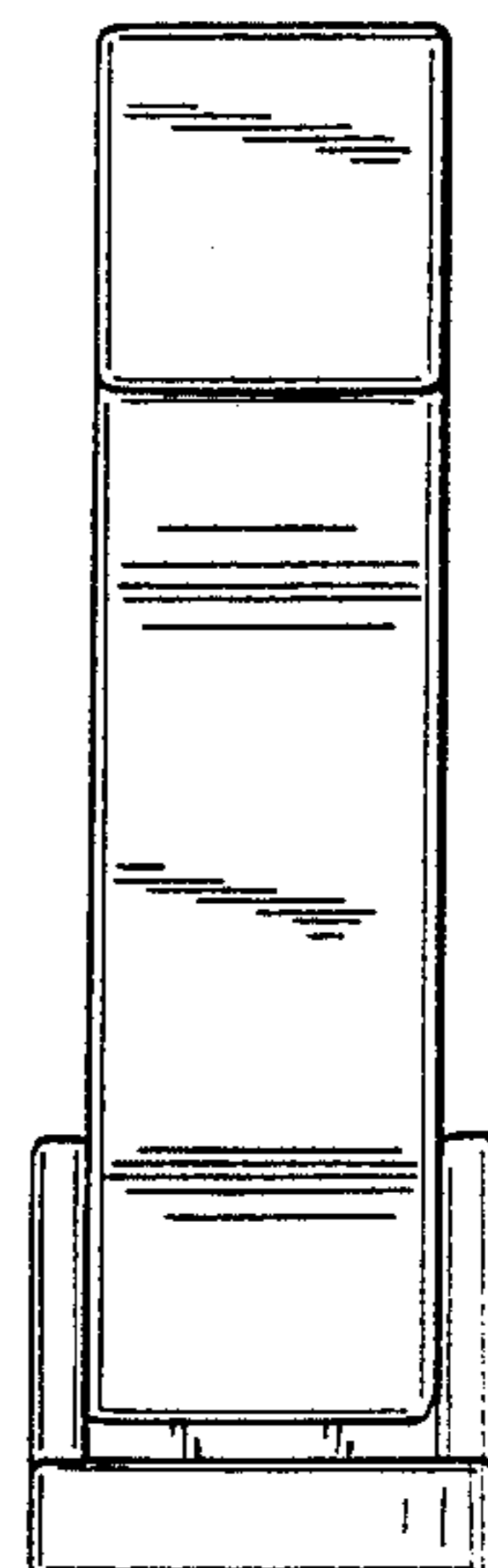
*Fig. 2*



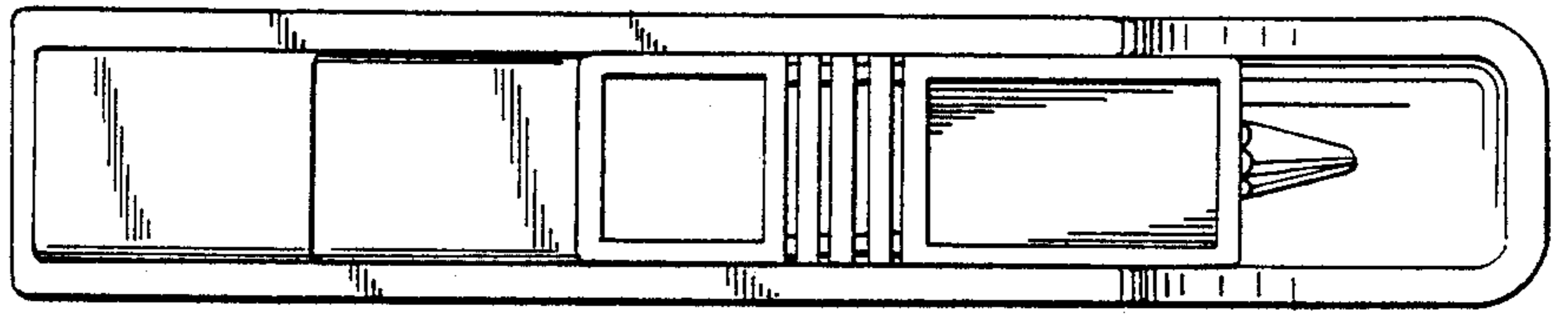
*Fig. 3*



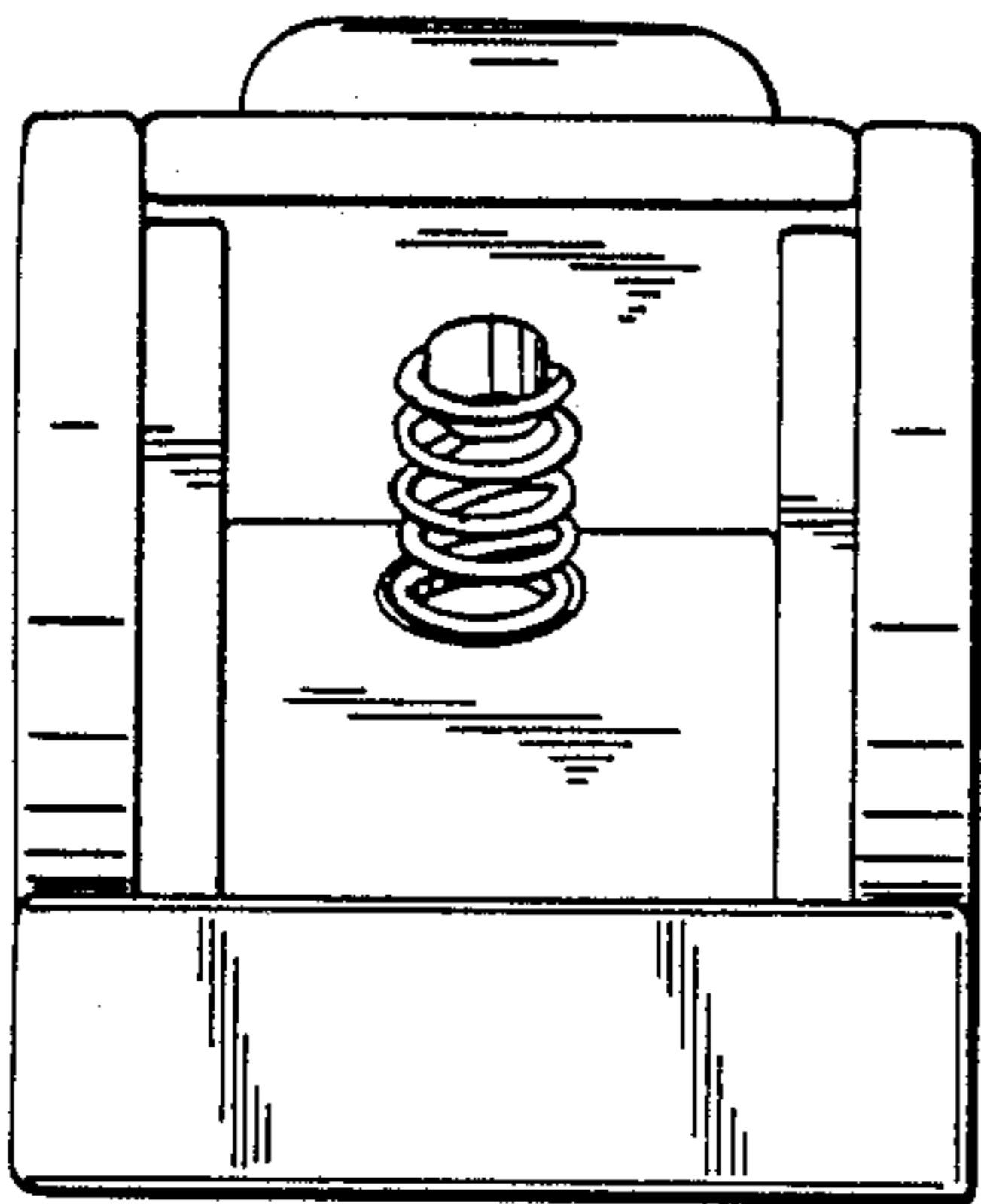
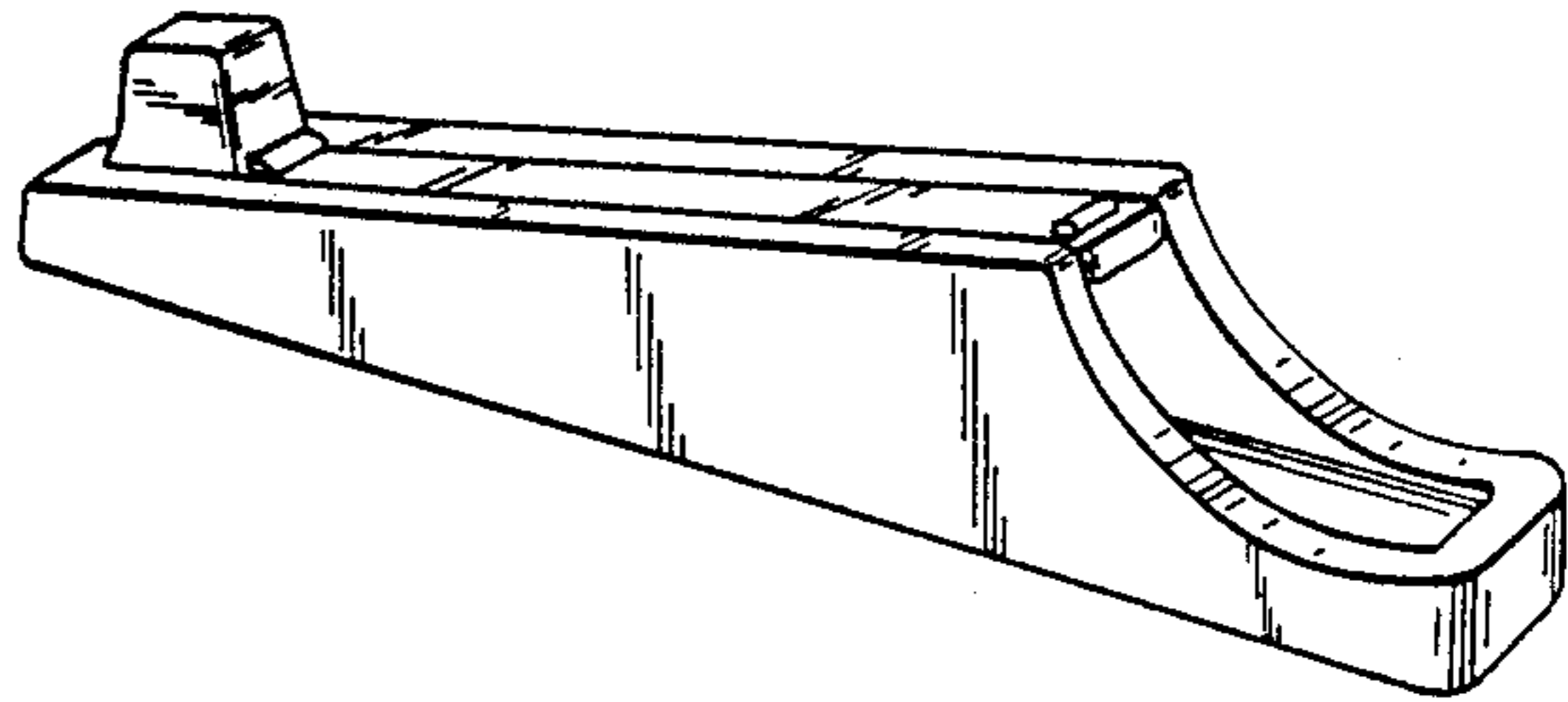
*Fig. 4*



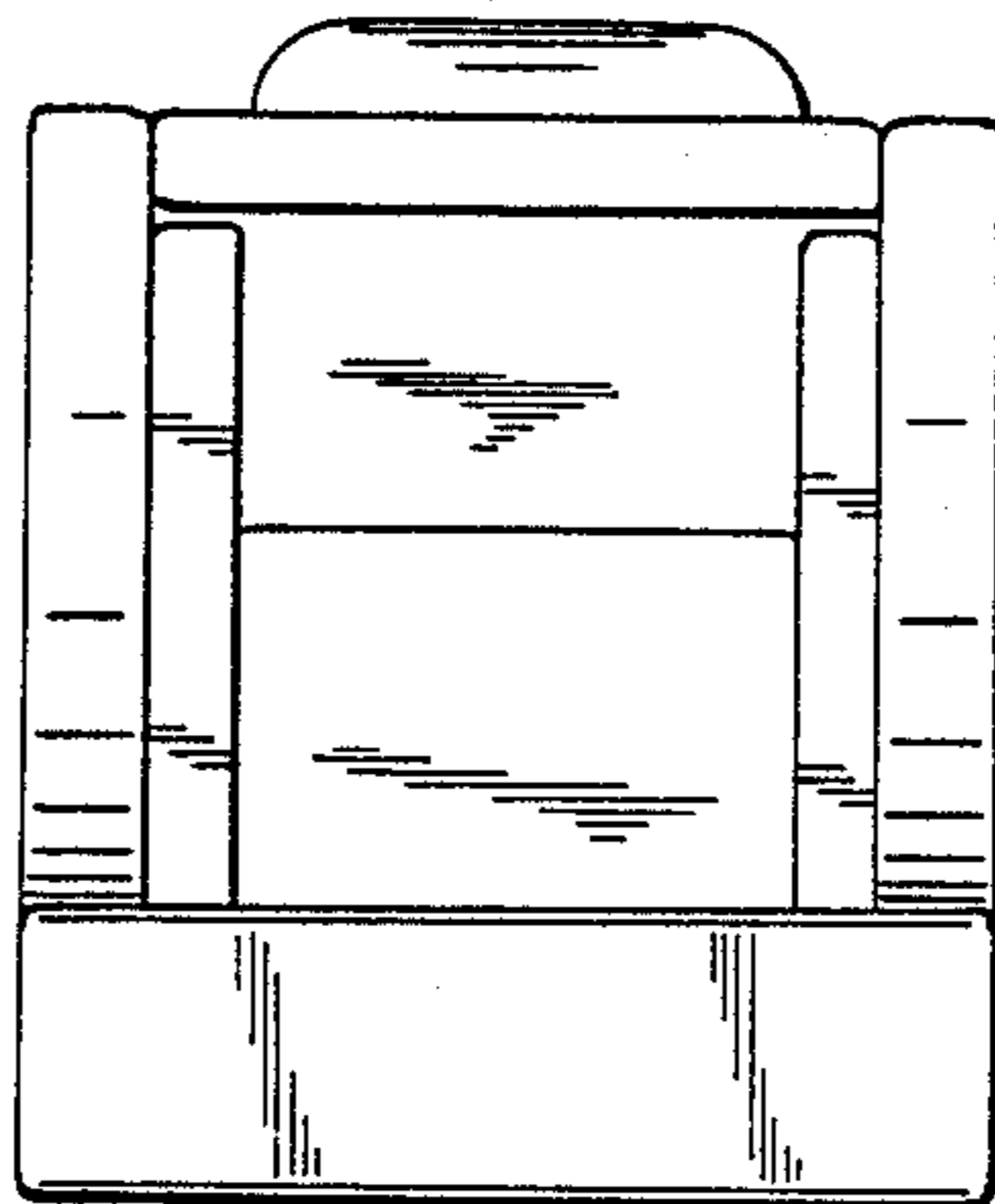
*Fig. 5*



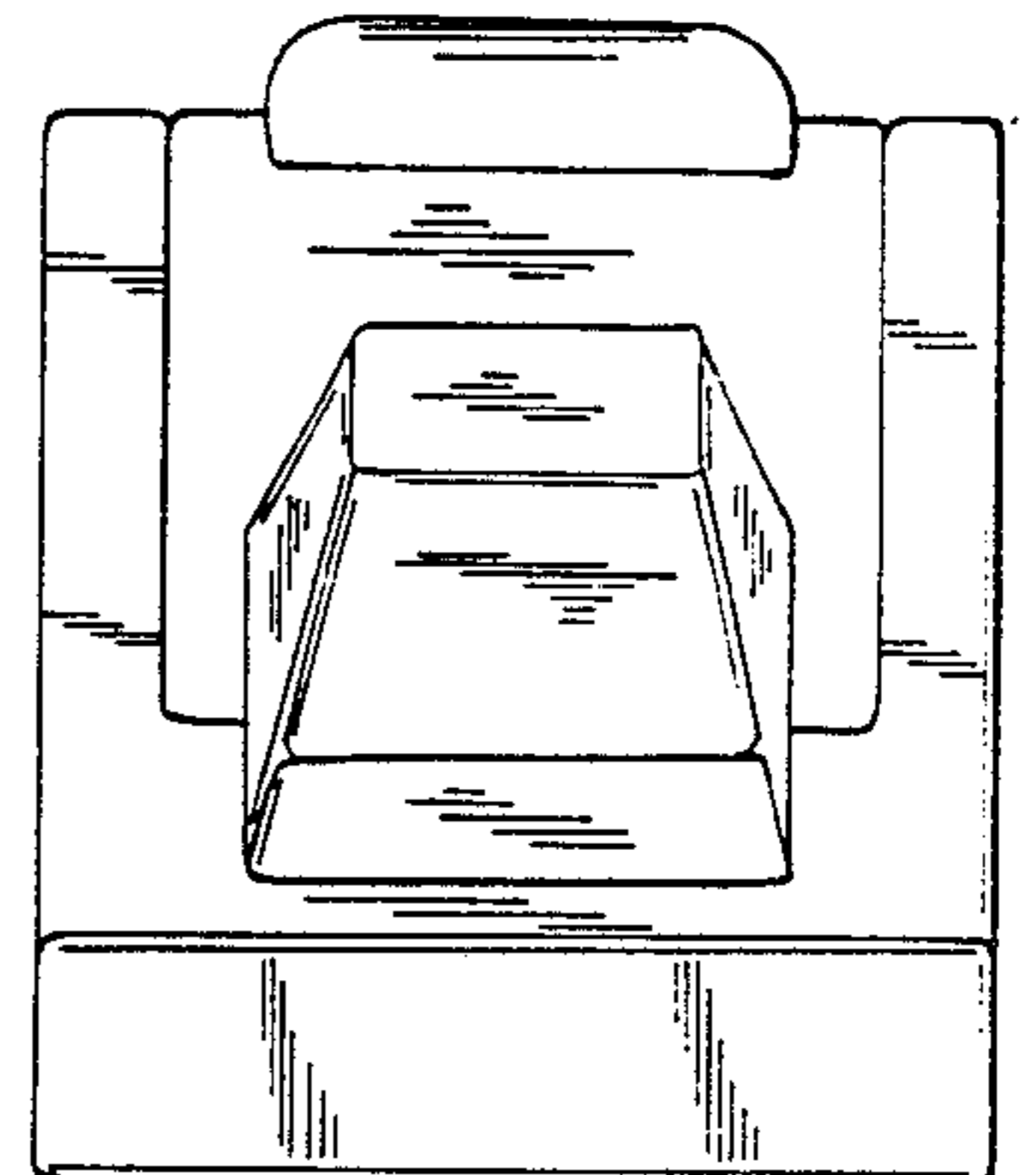
*Fig. 7*



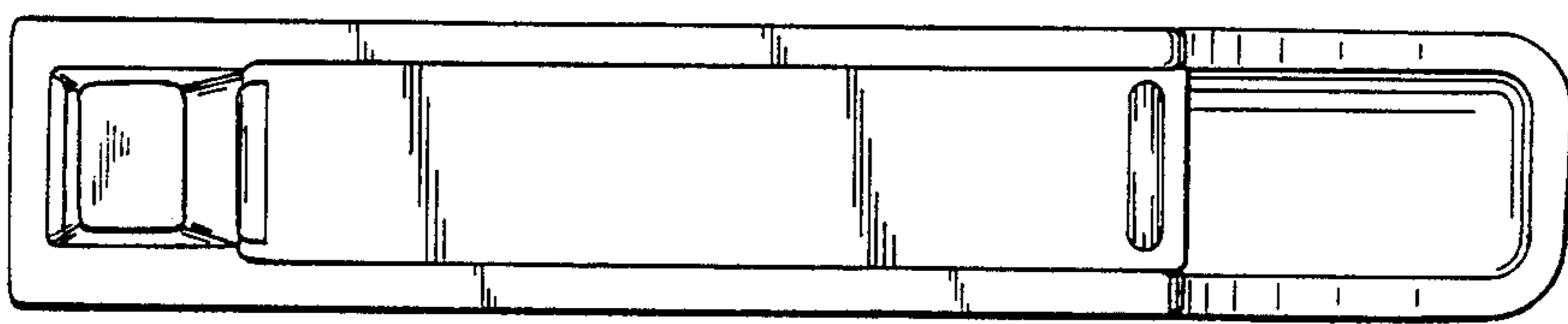
*Fig. 9*



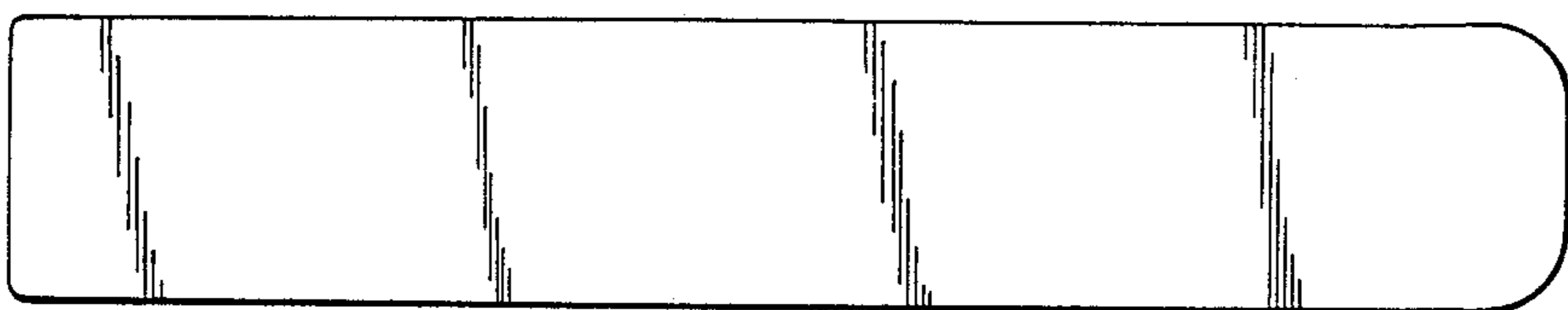
*Fig. 8*



*Fig. 10*

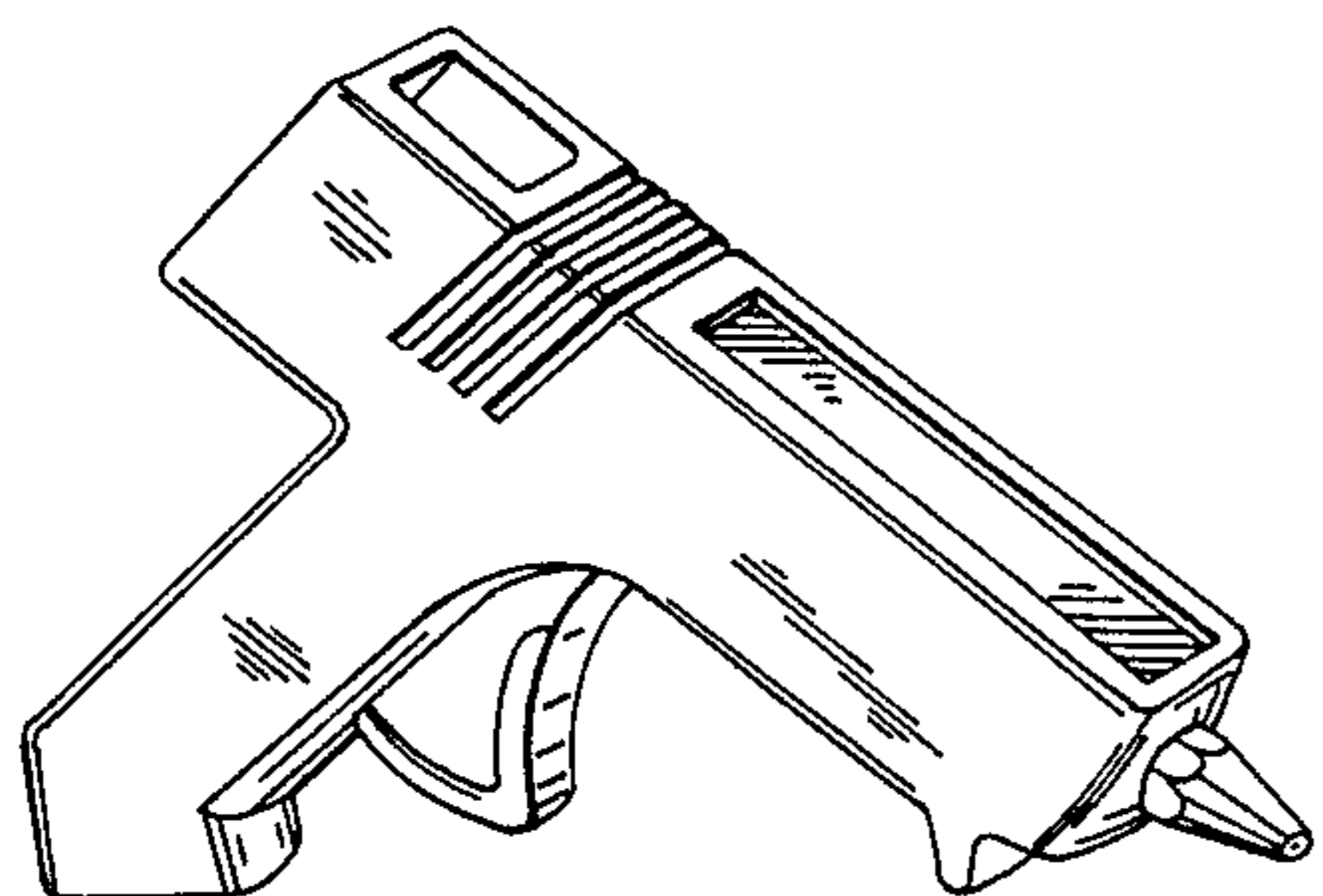
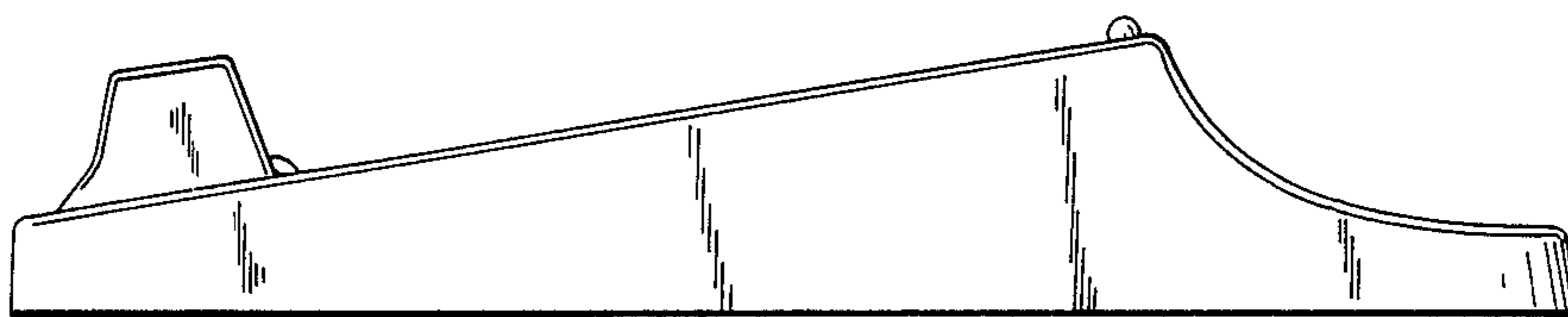


*Fig. 11*

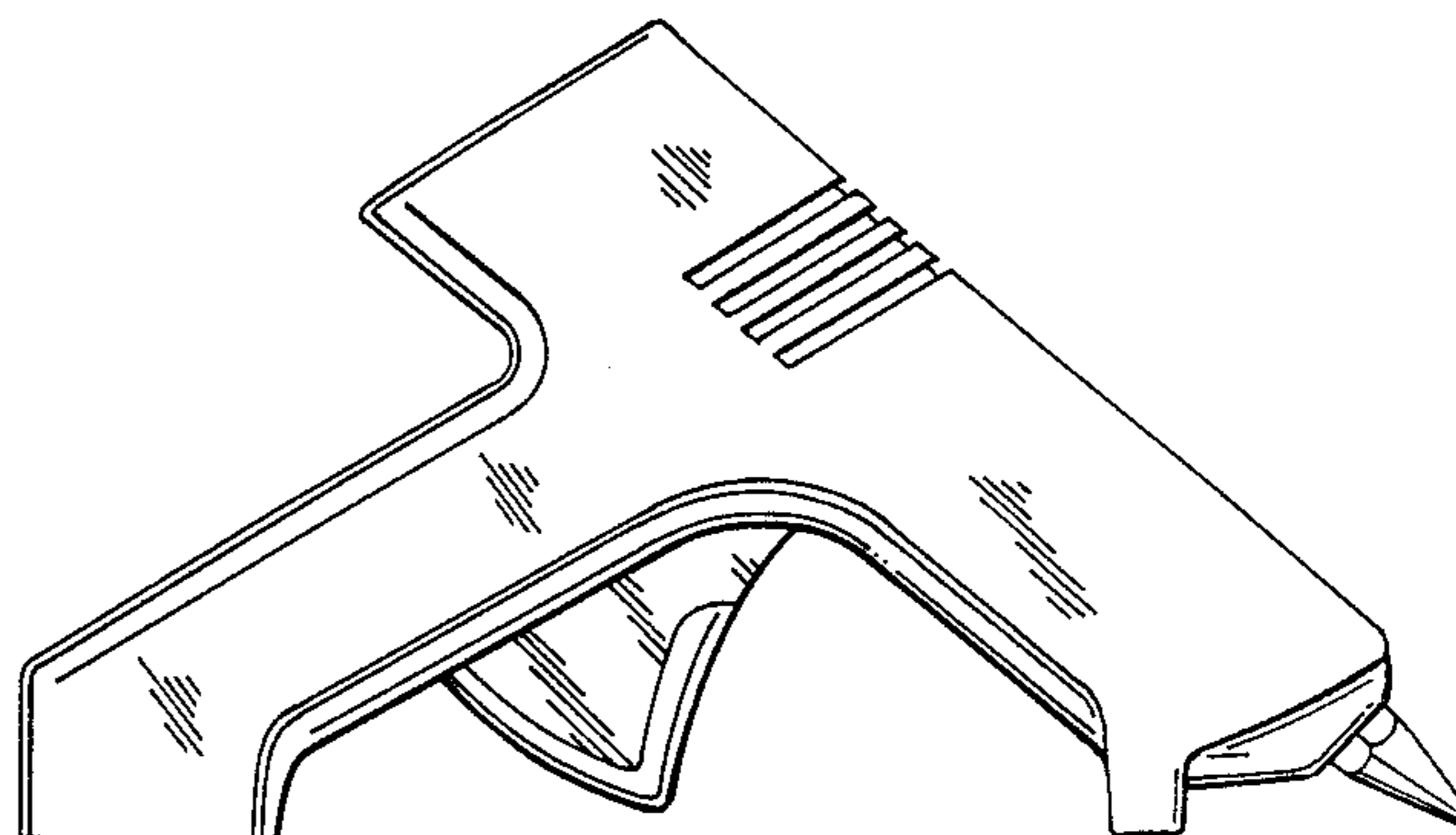


*Fig. 6*

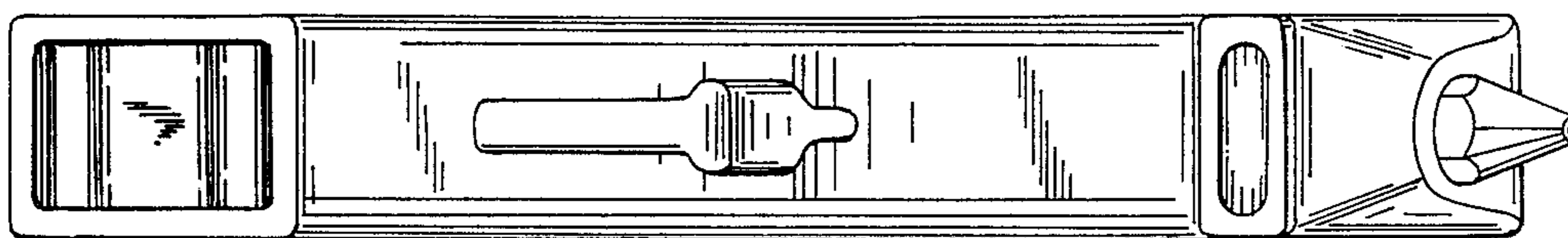
*Fig. 12*



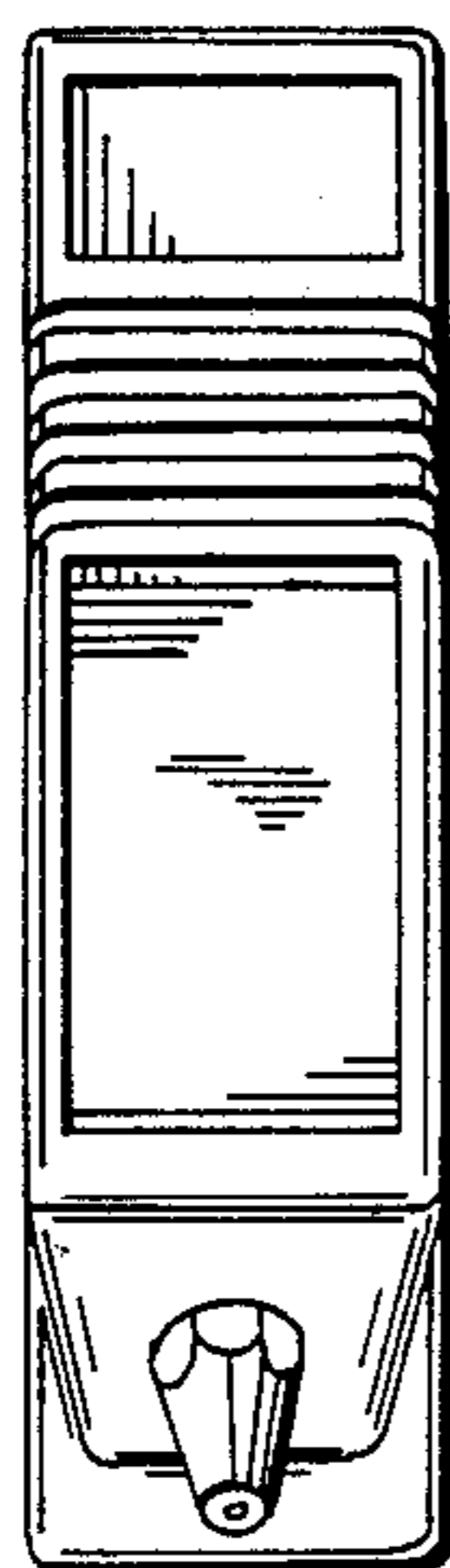
*Fig. 13*



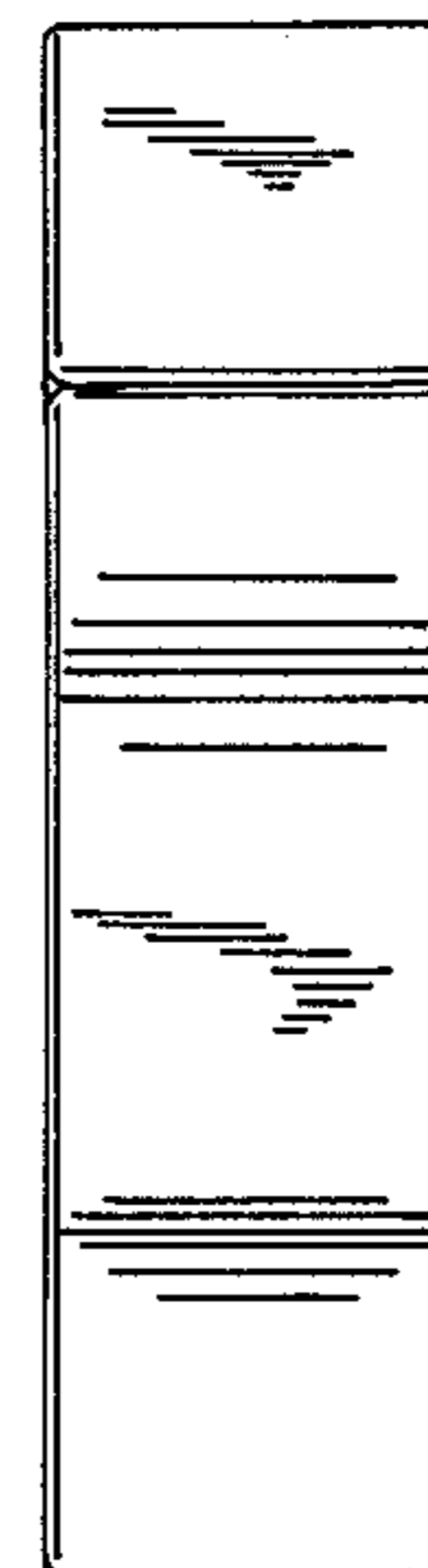
*Fig. 14*



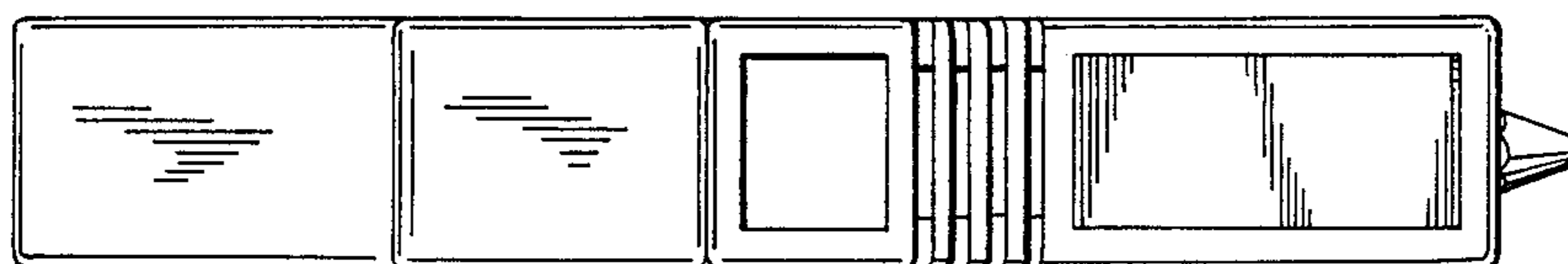
*Fig. 15*



*Fig. 16*



*Fig. 17*



*Fig. 18*