

[54] GRATE FOR GAS COOKING APPLIANCE

[75] Inventor: Thomas J. Binzer, Crestwood, Ky.

[73] Assignee: General Electric Company, Louisville, Ky.

[**] Term: 14 Years

[21] Appl. No.: 42,898

[22] Filed: Apr. 27, 1987

[52] U.S. Cl. D7/408

[58] Field of Search D7/402, 407-409, D7/340, 346; 126/39 E, 39 R, 39 H, 39 M, 37 R, 214 C, 215

2,594,215 4/1952 Resek 126/214 C
3,871,356 3/1975 Saponara 126/215
3,898,975 8/1975 Kemp 126/42
4,089,321 5/1978 Ondrasik, II 126/215

OTHER PUBLICATIONS

Better Homes & Gardens, May 1977, p. 293. "Magic Chef Stove".

Primary Examiner—Bruce W. Dunkins

Assistant Examiner—Ruth Takemoto

Attorney, Agent, or Firm—H. Neil Houser; Radford M. Reams

[56] References Cited

U.S. PATENT DOCUMENTS

- D. 150,561 8/1948 Felver D7/340
- D. 162,335 3/1951 Neto D7/340
- D. 214,857 8/1969 Feldkircher D7/408
- D. 215,251 9/1969 Berlik D7/408
- 1,738,297 12/1929 Hoffman D7/407
- 2,571,741 10/1951 Mayer 126/215

CLAIM

The ornamental design for a grate as applied to a gas cooking appliance, as shown and described.

DESCRIPTION

FIG. 1 is a top perspective view of a grate for a gas cooking appliance showing my new design; FIG. 2 is a rear elevational view thereof; FIG. 3 is a bottom plan view thereof; and FIG. 4 is a side elevational view thereof.

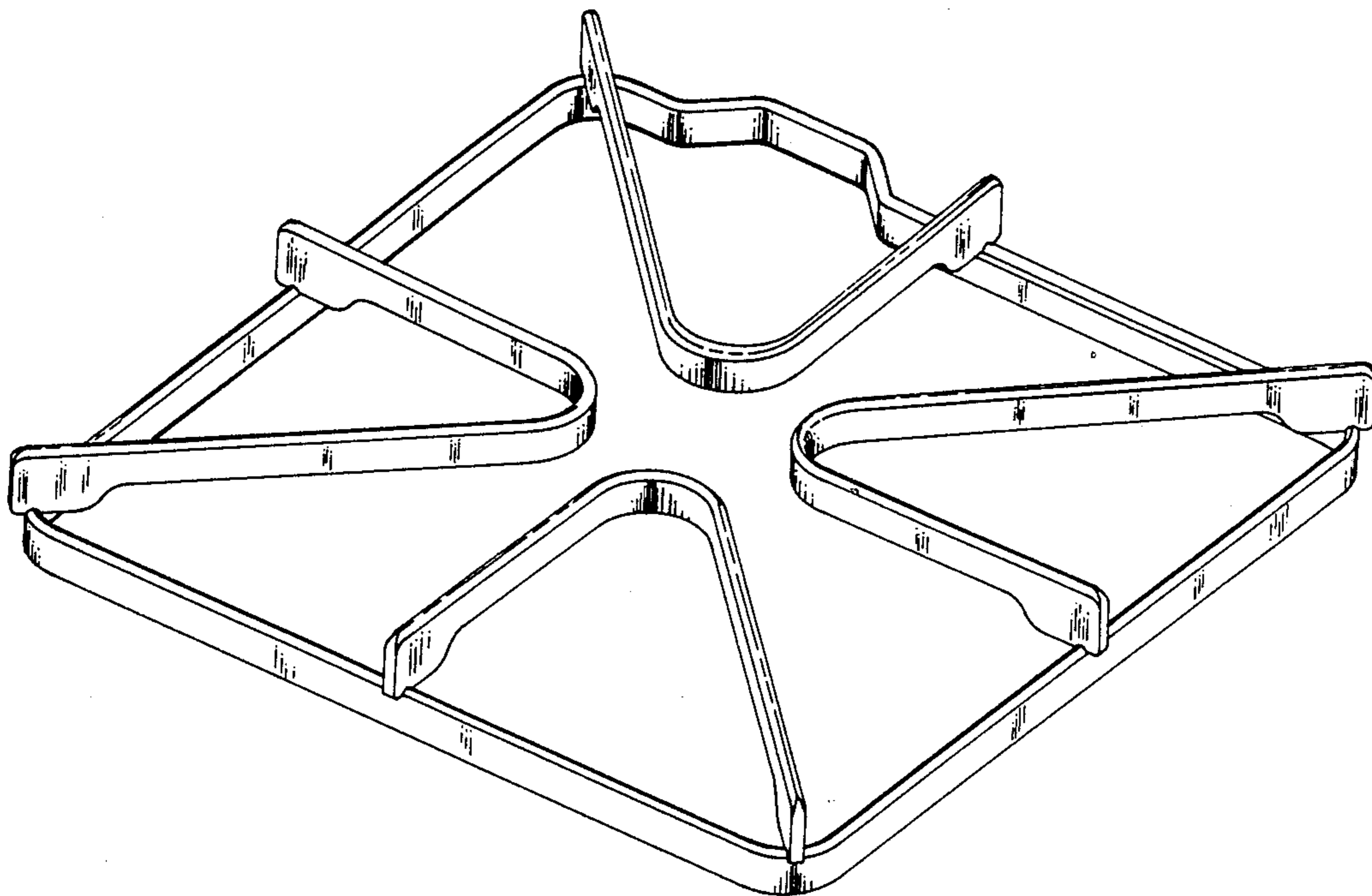


FIG. 1

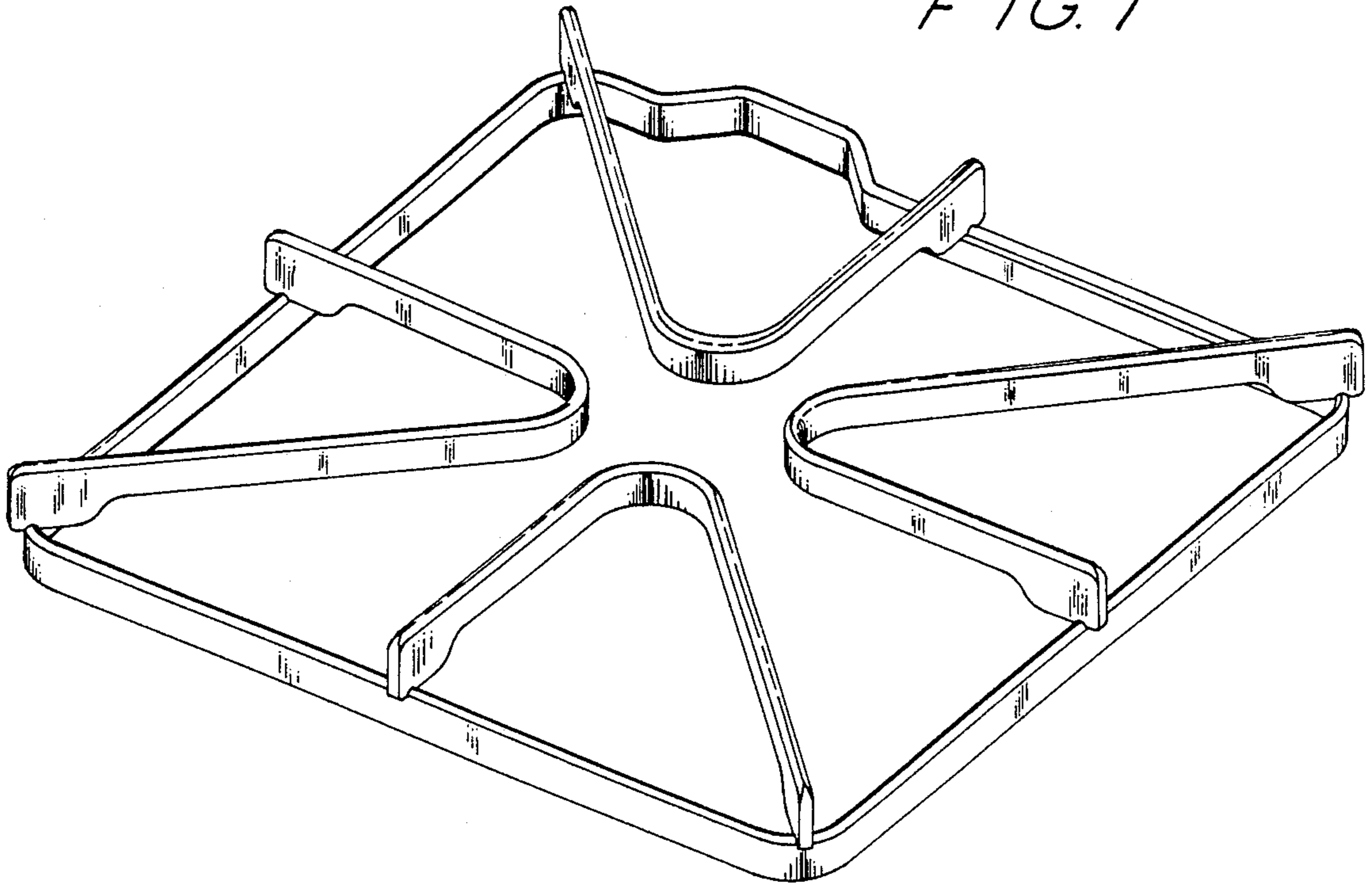


FIG. 2

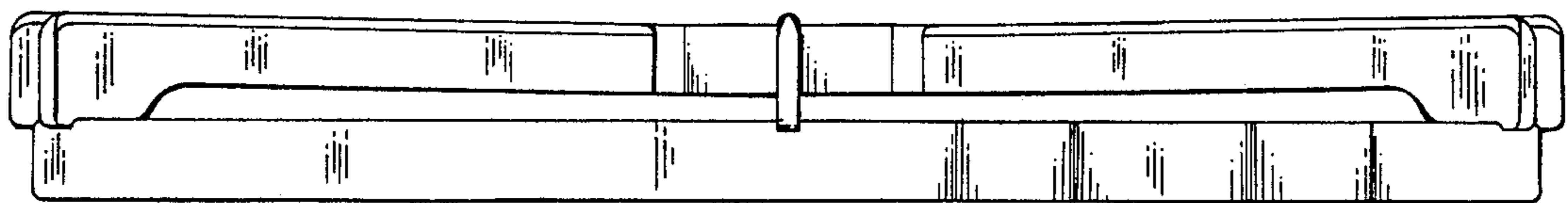


FIG. 3

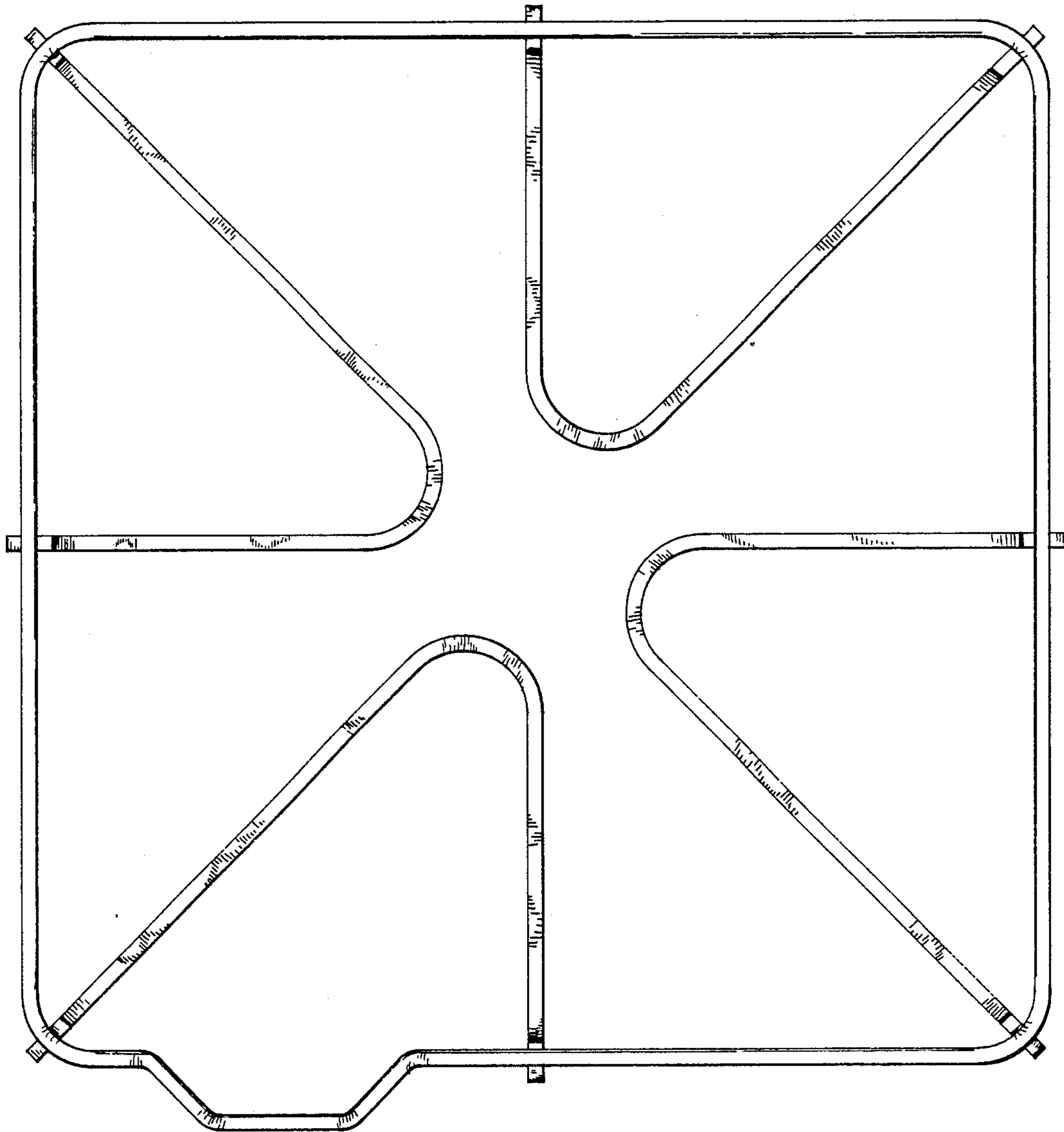


FIG. 4

