

United States Patent [19]

Beach et al.

[11] Patent Number: **Des. 303,604**

[45] Date of Patent: *** Sep. 26, 1989**

[54] **STOVE TOP**

[75] Inventors: **Stanley H. Beach, Indianapolis;**
Wallace E. Schmidt, Carmel, both of
Ind.

[73] Assignee: **Maytag Corporation, Newton, Iowa**

[*] Notice: The portion of the term of this patent
subsequent to Sep. 26, 2003 has been
disclaimed.

[**] Term: **14 Years**

[21] Appl. No.: **84,511**

[22] Filed: **Aug. 12, 1987**

[52] U.S. Cl. **D7/346**

[58] Field of Search **D7/339, 340, 346;**
126/39 R, 39 B, 39 BA, 39 E, 39 K, 39 N, 211,
214 R, 214 A, 214 C, 41 R

[56] **References Cited**

U.S. PATENT DOCUMENTS

D. 210,336 2/1968 Jenn et al. D81/25

3,474,724	10/1969	Jenn	99/259
3,596,650	8/1971	Cerola	D7/346
3,712,819	1/1973	Field	126/299 R
3,926,171	12/1975	Kurek et al.	126/39 B
4,413,610	11/1983	Berlik	126/39 K
4,431,892	2/1984	White	126/39 K
4,527,542	7/1985	Bales et al.	126/299 R

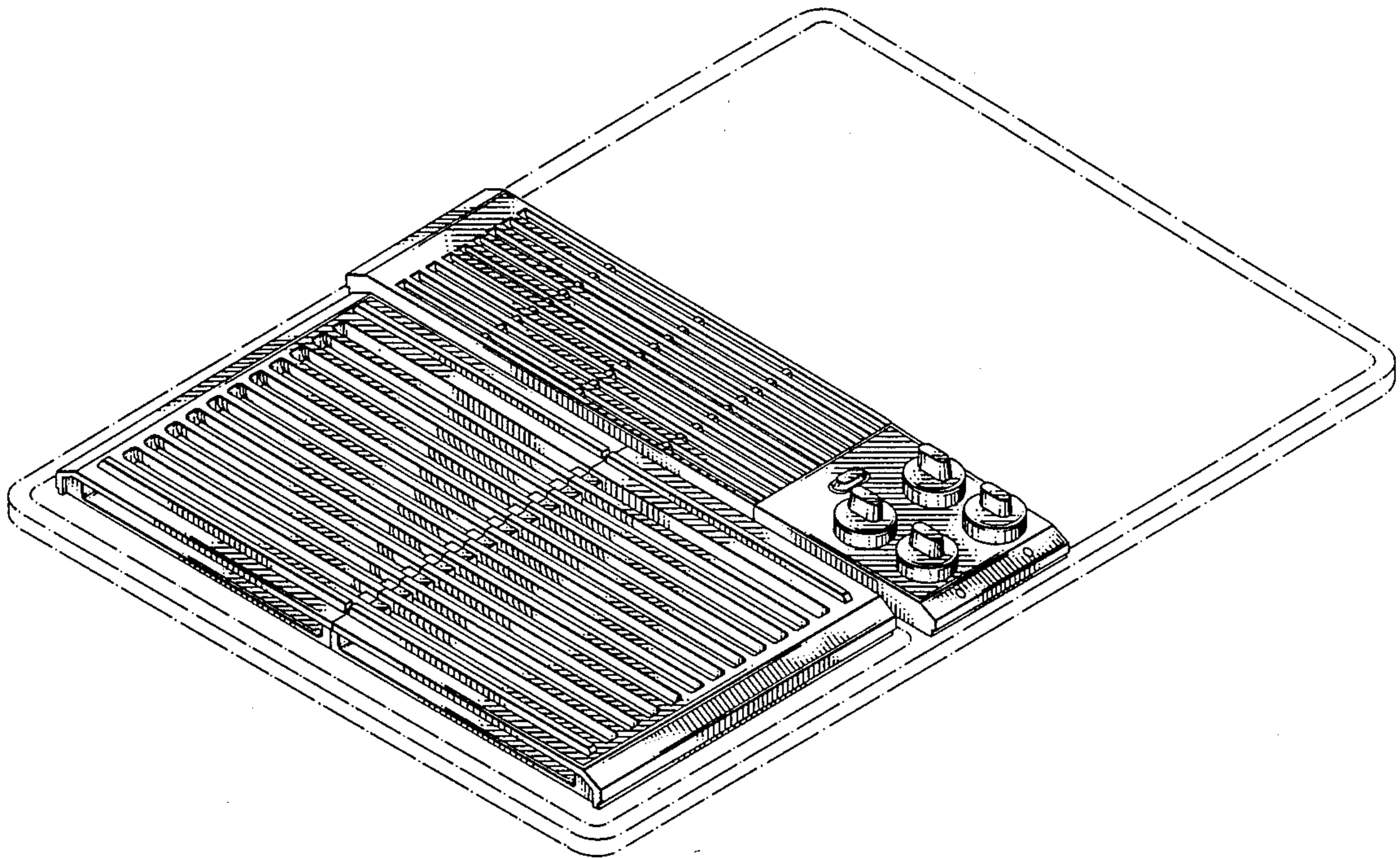
Primary Examiner—Bruce W. Dunkins
Assistant Examiner—Ruth Takemoto
Attorney, Agent, or Firm—Richard L. Ward

[57] CLAIM

The ornamental design for a stove top, as shown and described.

DESCRIPTION

FIG. 1 is a perspective view of a stove top showing our new design;
FIG. 2 is a front elevational view thereof;
FIG. 3 is a rear elevational view thereof;
FIG. 4 is a right side elevational view thereof; and
FIG. 5 is a left side elevational view thereof.
The broken lines shown in FIGS. 1-5 are for illustrative purposes only and form no part of the claimed design.



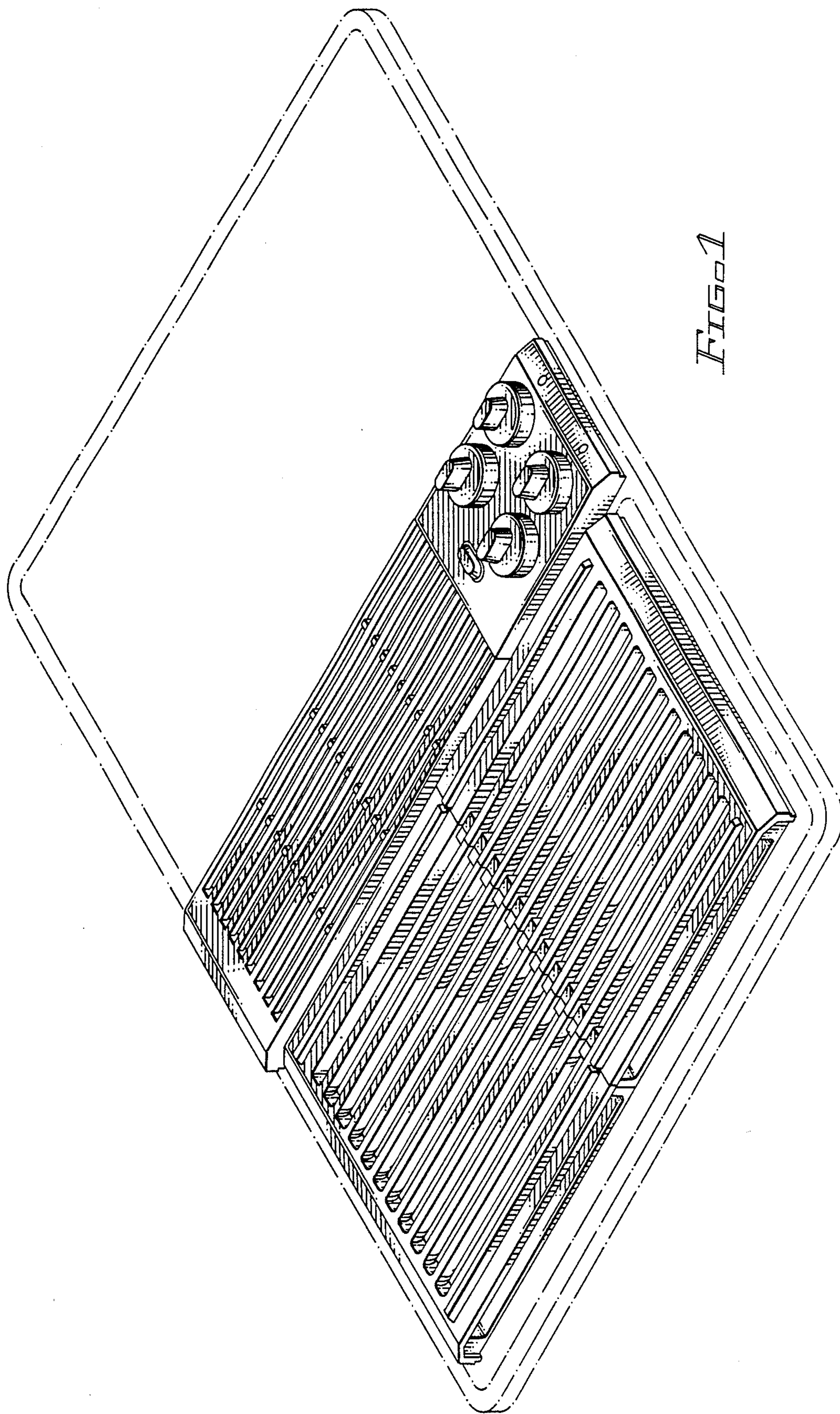


FIG. 1

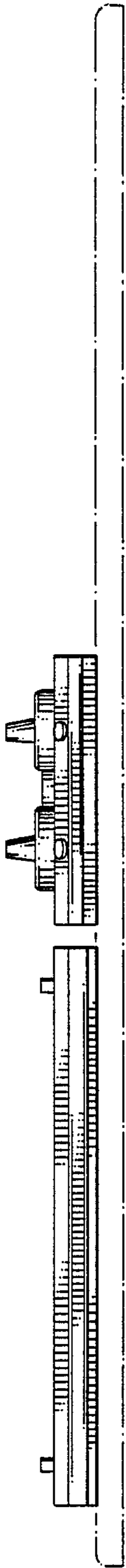


FIG. 2

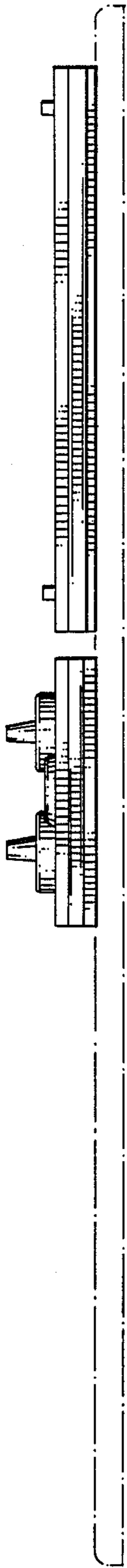


FIG. 3

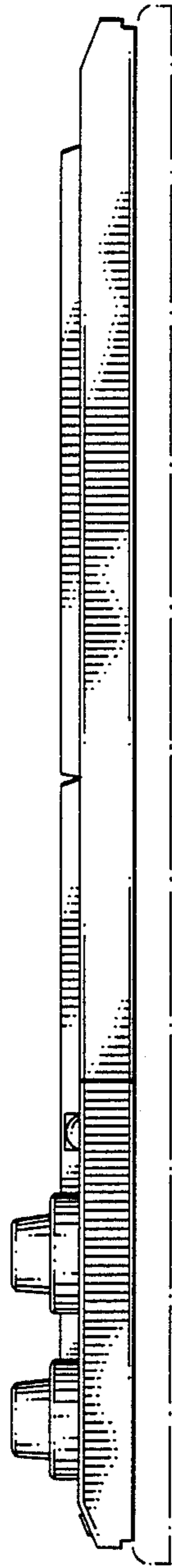


FIG. 4

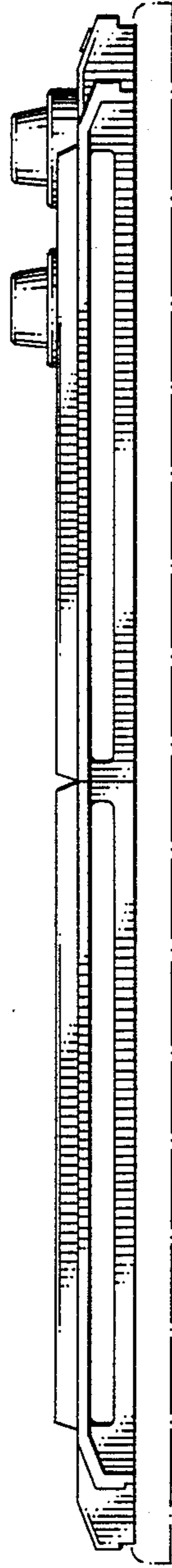


FIG. 5