

[54] COMBINED BEVERAGE CONTAINER AND DRINKING TUBE

[75] Inventor: Manuel Silveira, Mt. Vernon, N.Y.

[73] Assignee: Sansil, Inc., Newark, N.J.

[**] Term: 14 Years

[21] Appl. No.: 924,498

[22] Filed: Oct. 28, 1986

[52] U.S. Cl. D7/5; D7/6; D7/301; D9/325

[58] Field of Search D7/5, 6, 42, 301, 302; D20/37; D9/325, 337, 447; D34/39; 215/1 A; 220/90.2, 90.4

[56] References Cited

U.S. PATENT DOCUMENTS

- D. 167,700 9/1952 Lipson D34/39
- D. 209,871 1/1968 Grebow D9/447
- D. 238,550 1/1976 Edwards D9/325

- 2,094,268 9/1937 Friedman D7/42 X
- 2,948,453 8/1960 Brown 215/1 A
- 4,415,097 11/1983 Meins 220/90.4

Primary Examiner—Winifred E. Herrmann

Assistant Examiner—John Warchol

Attorney, Agent, or Firm—Horst M. Kasper

[57] CLAIM

The ornamental design for a combined beverage container and drinking tube, as shown and described.

DESCRIPTION

FIG. 1 is a top, right side perspective view of a combined beverage container and drinking tube showing my new design;

FIG. 2 is a top plan view thereof;

FIG. 3 is a bottom plan view thereof;

FIG. 4 is a right side elevational view thereof, the side opposite being a mirror image; and

FIG. 5 is a front elevational view thereof, the rear being identical.

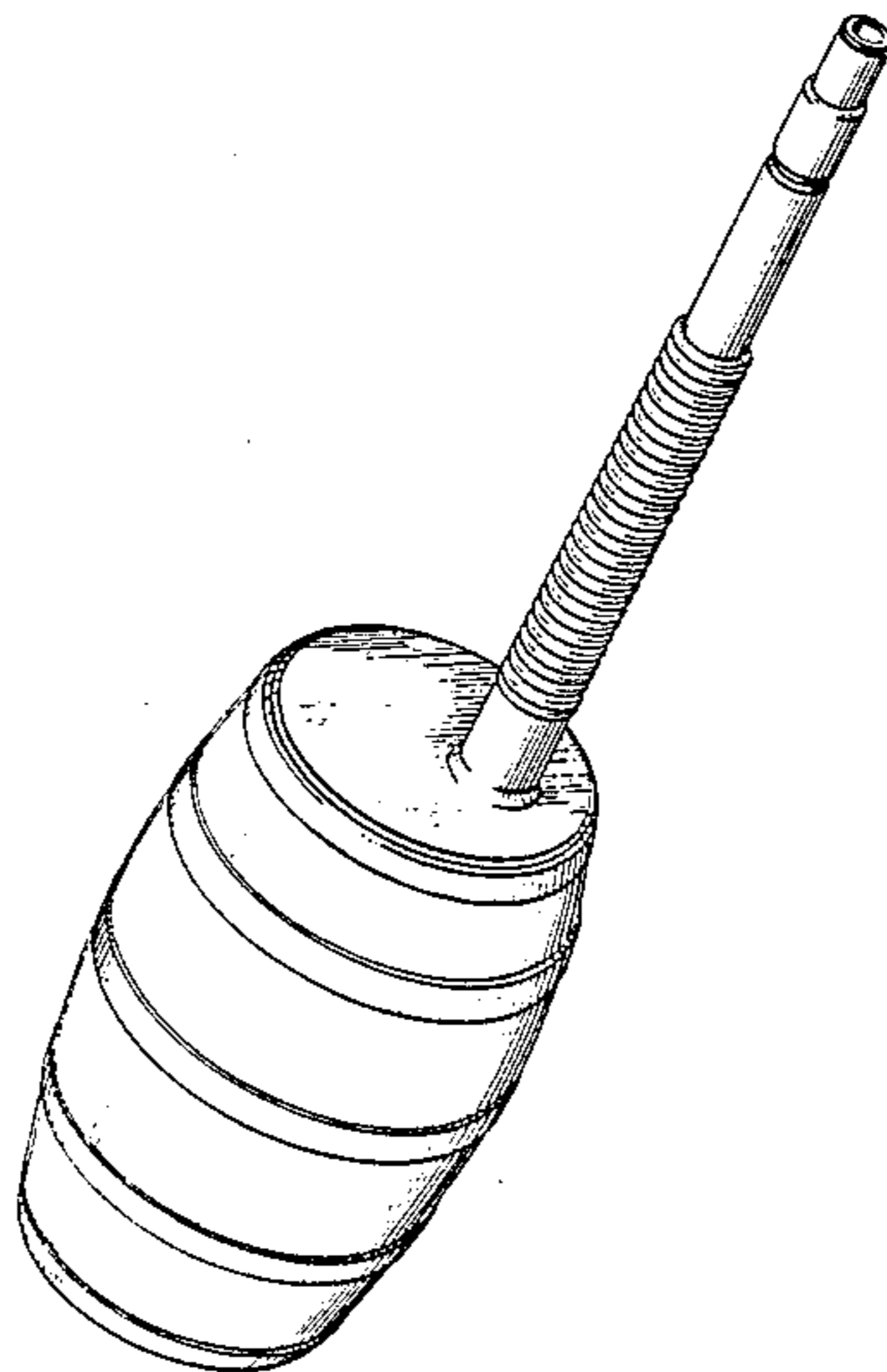


FIG. 1

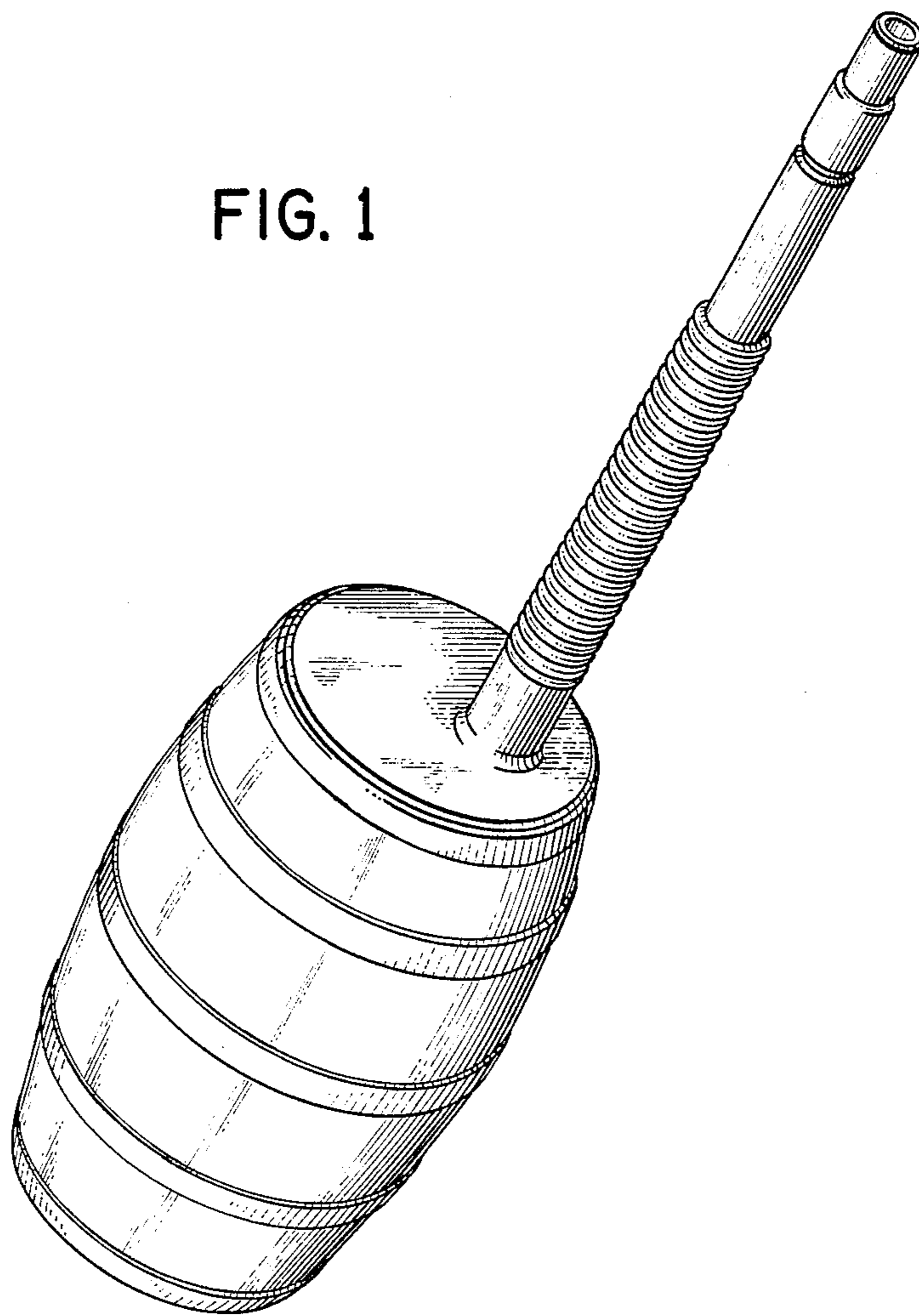


FIG. 2

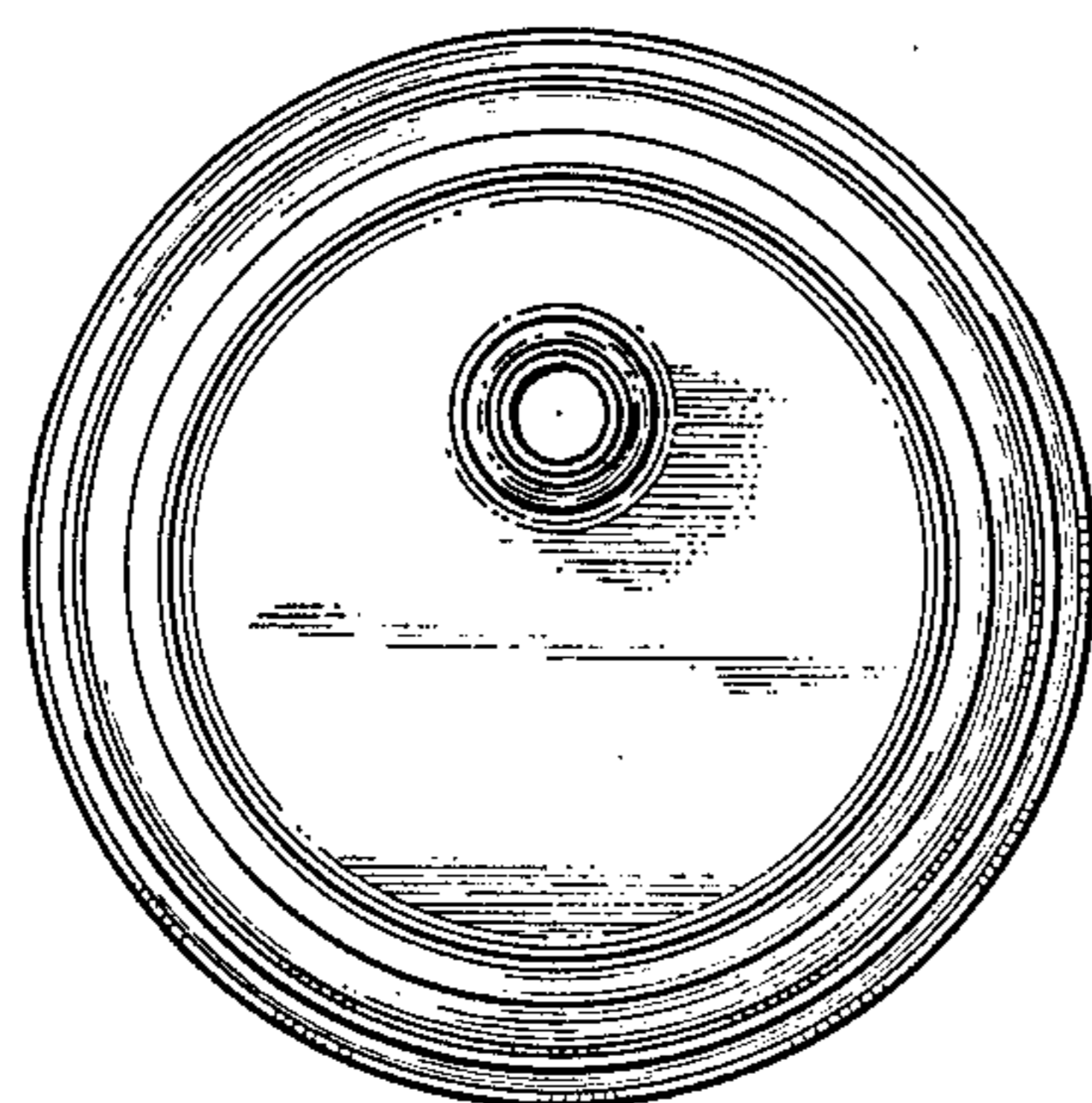


FIG. 3

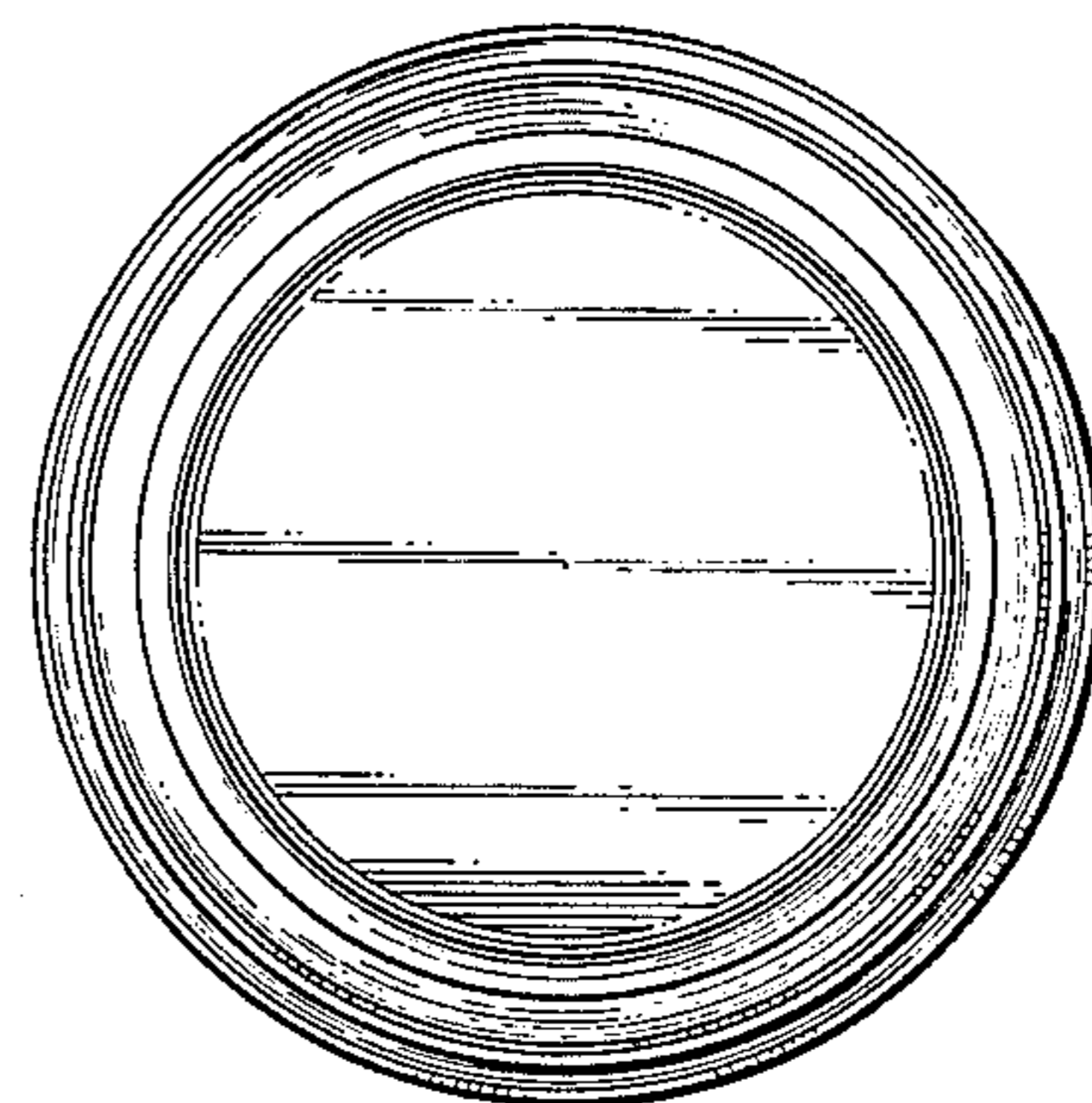


FIG. 4

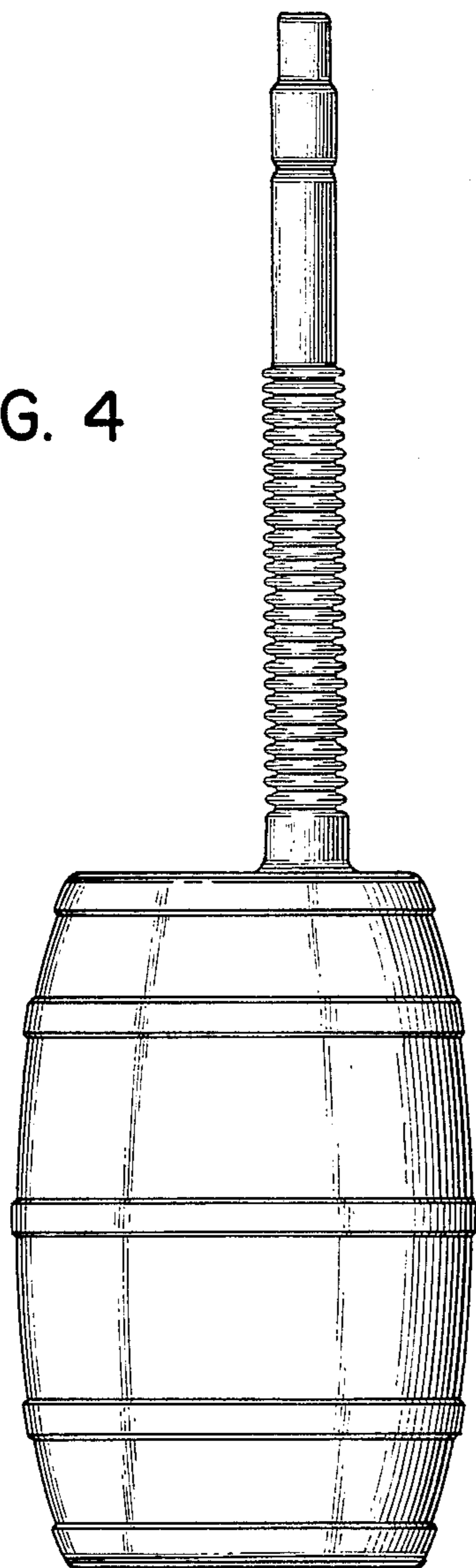


FIG. 5

