

United States Patent [19]

Thompson et al.

[11] Patent Number: **Des. 303,600**

[45] Date of Patent: **** Sep. 26, 1989**

[54] **SPORTS EQUIPMENT RACK**

[76] Inventors: **John N. Thompson; Gloria J. Thompson**, both of 202 Wingate Dr., Peach Tree City, Ga. 30269

[**] Term: **14 Years**

[21] Appl. No.: **22,262**

[22] Filed: **Mar. 2, 1987**

[52] U.S. Cl. **D6/552**

[58] Field of Search **D6/552-553, D6/567, 569, 572; 211/13, 60.1, 68, 70.2, 70.5, 90**

[56] **References Cited**

U.S. PATENT DOCUMENTS

D. 257,923 1/1981 Wolfe Sr. **D6/552**

D. 272,786 2/1984 McCuiston **D6/552**
D. 285,147 8/1986 LeCocq, Jr. **D6/552 X**
3,650,407 3/1972 Benham, Jr. **211/14**
4,049,126 9/1977 Halverson **211/60.1 X**

Primary Examiner—Wallace R. Burke

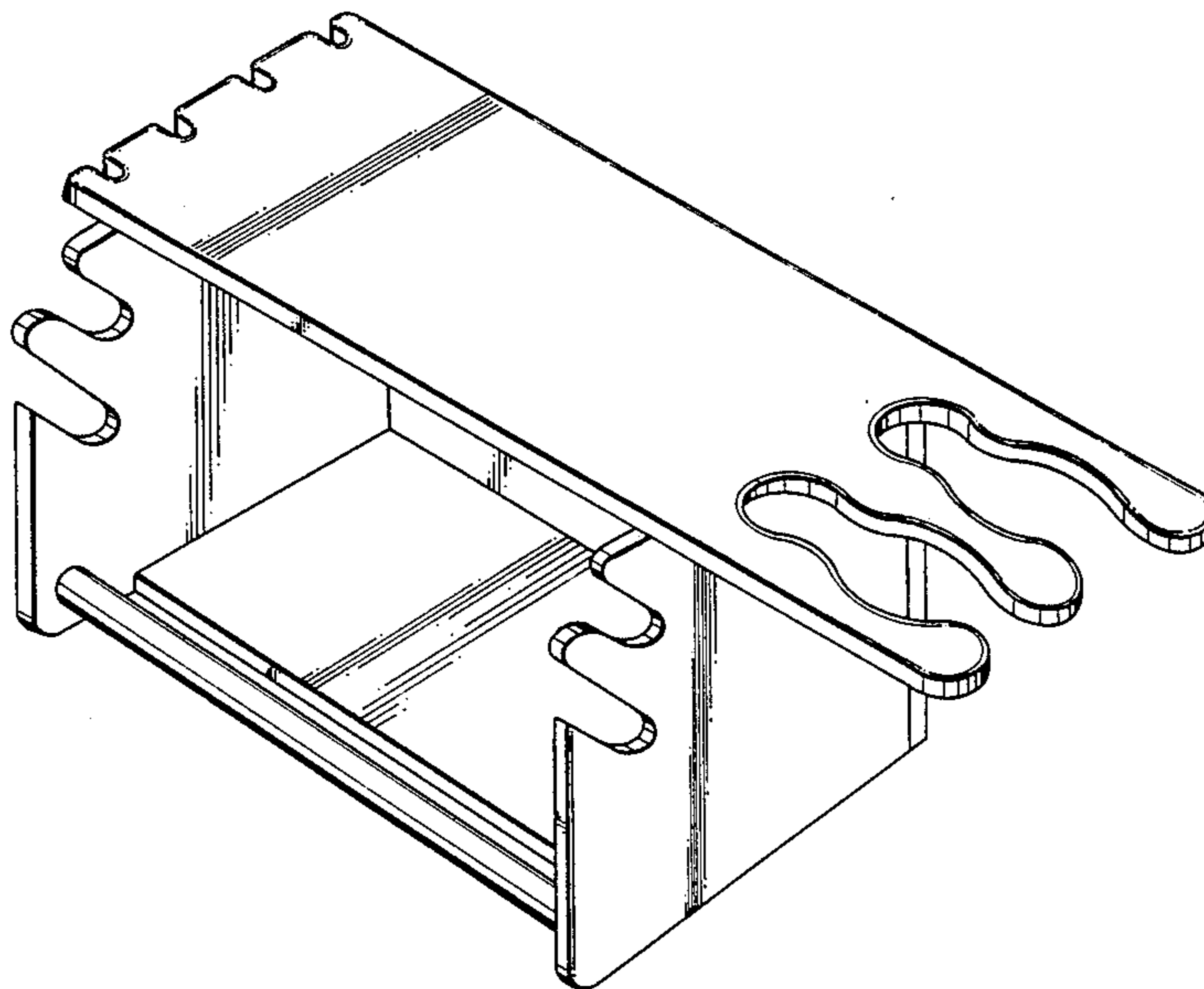
Assistant Examiner—Brian N. Vinson

[57] **CLAIM**

The ornamental design for sports equipment rack, as shown and described.

DESCRIPTION

FIG. 1 is a front, top and right side perspective view of a sports equipment rack showing our new design; FIG. 2 is a right side elevational view thereof; FIG. 3 is a rear elevational view thereof; and FIG. 4 is a bottom plan view thereof. The design is characterized by the appearance of the slotted protrusions of the ends of the tops and sides.



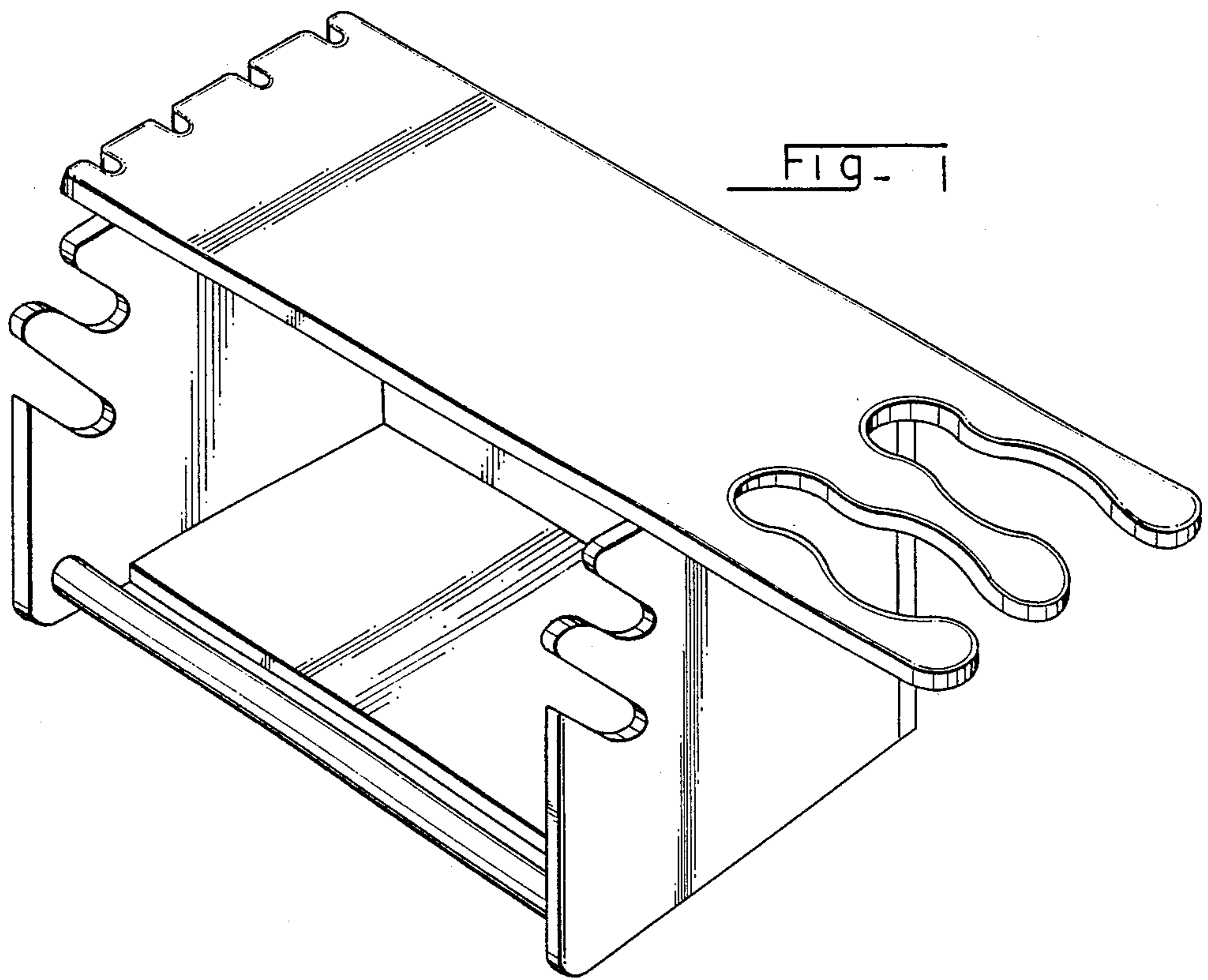
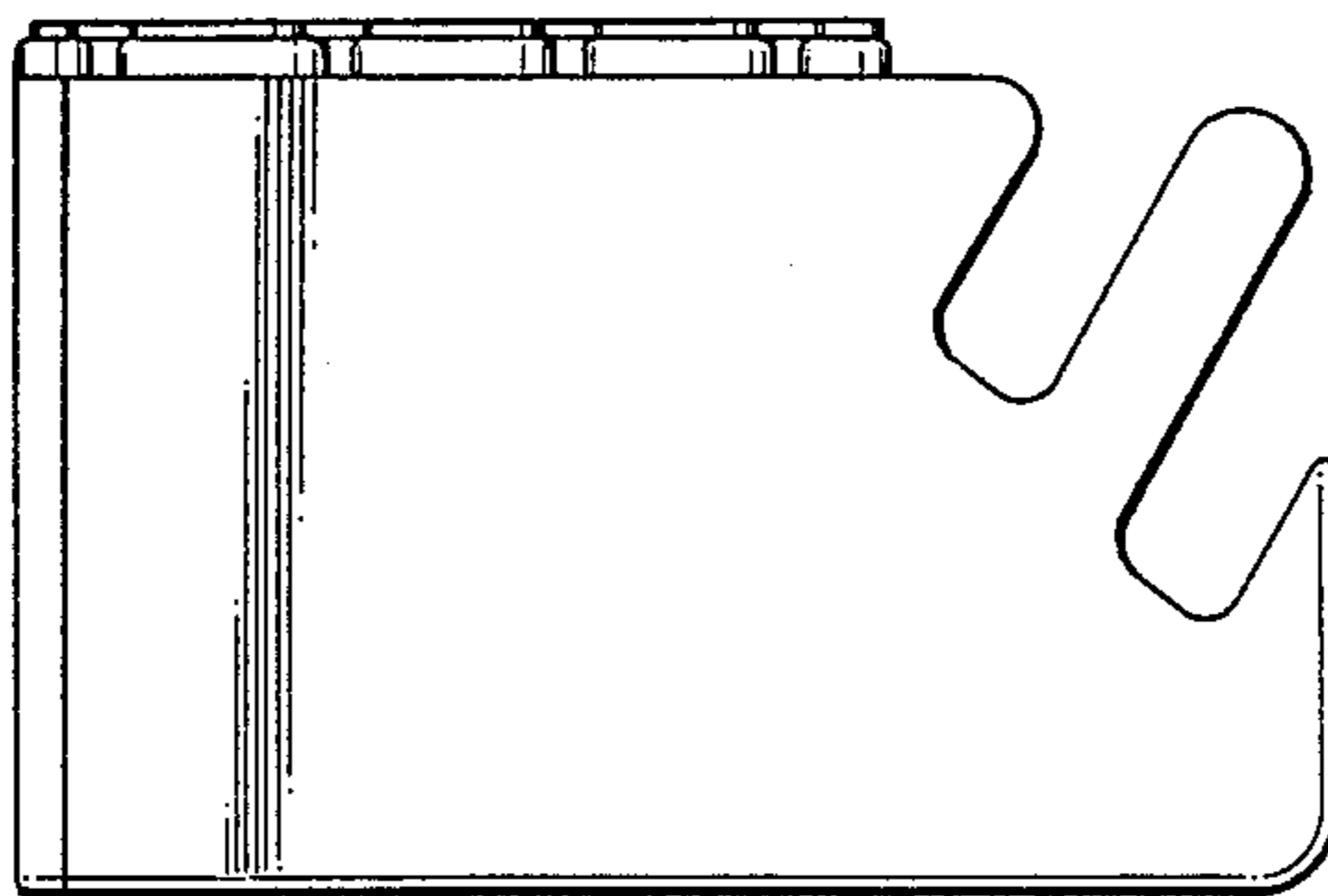


Fig- 2



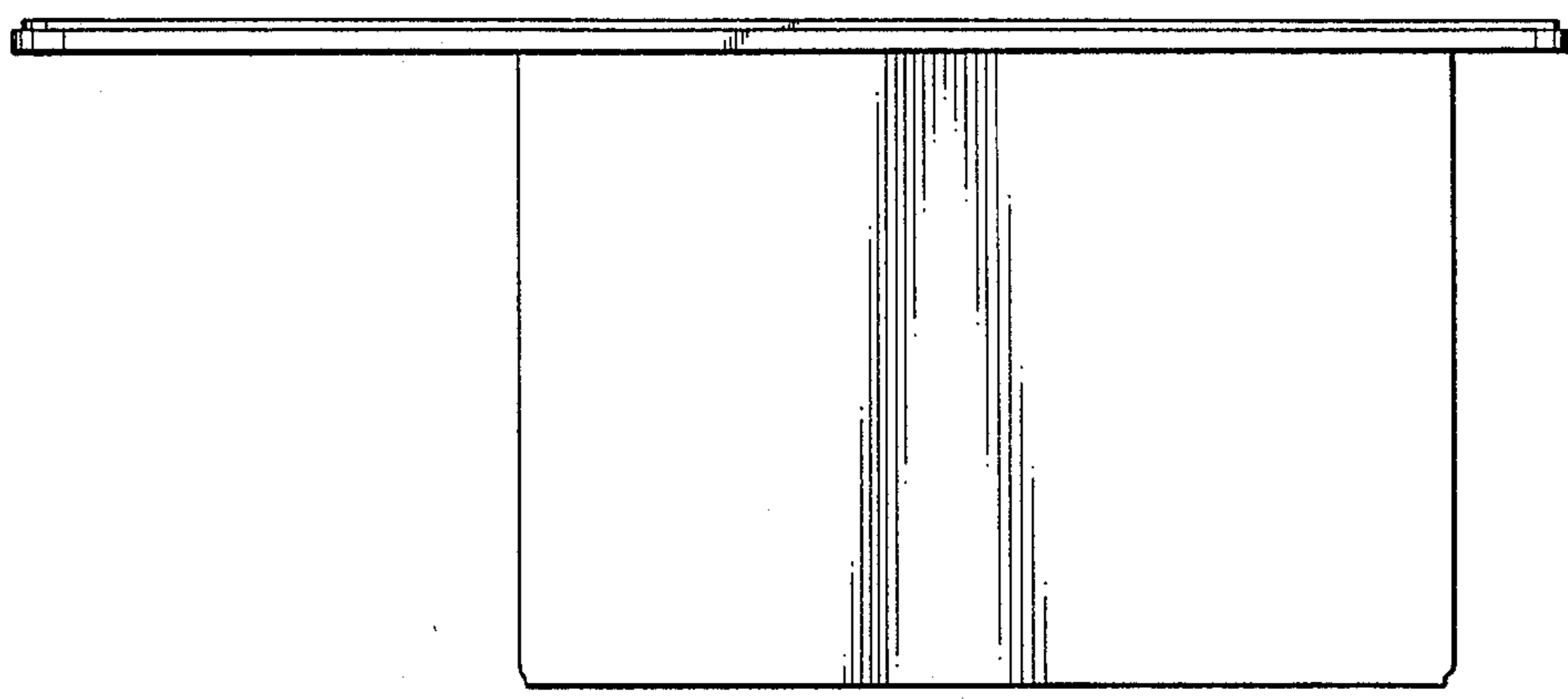


Fig. 3

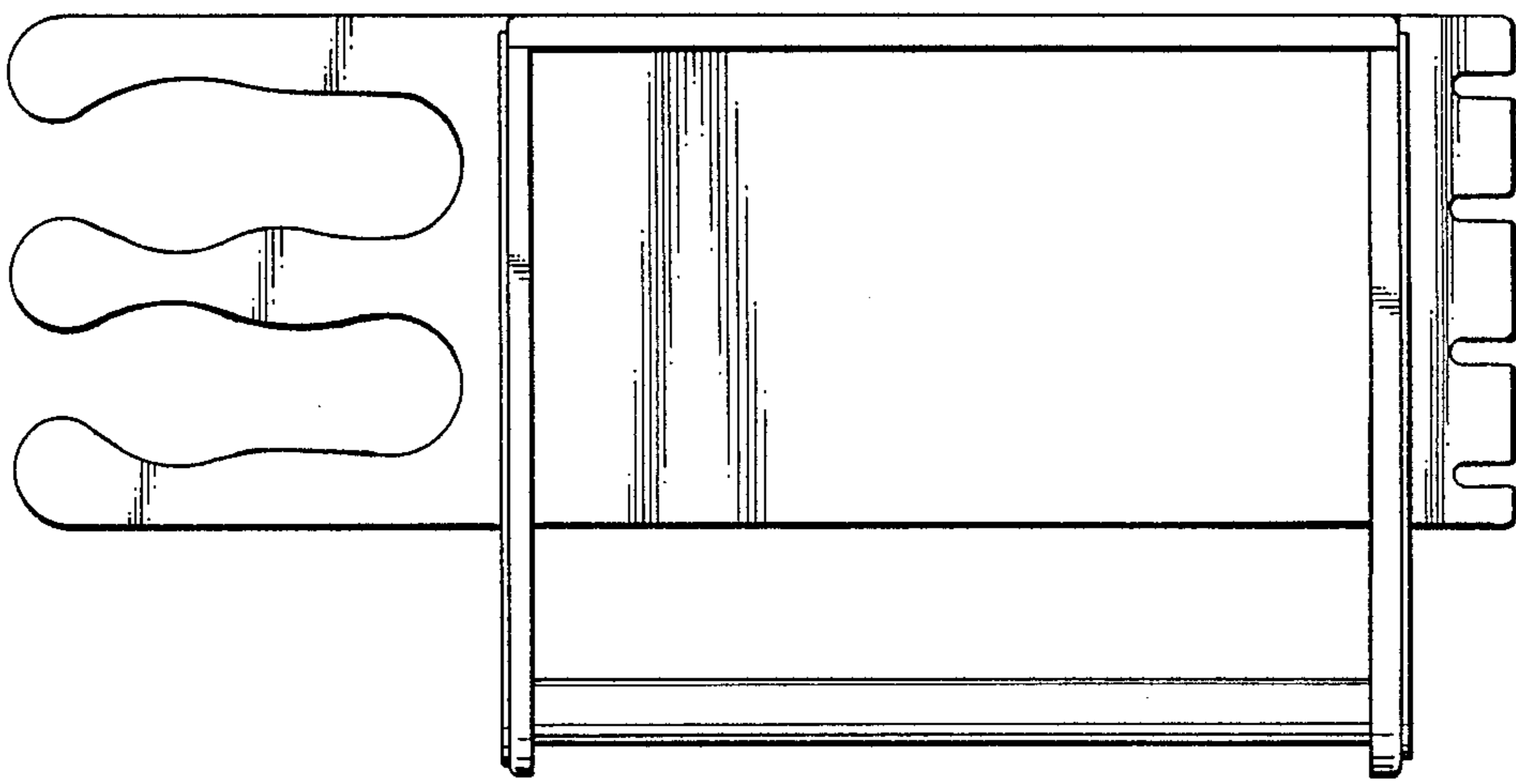


Fig. 4