

[54] ADJUSTABLE CHAIR BACK
 [75] Inventor: Marta V. Tornero, Greensboro, N.C.
 [73] Assignee: Patrician Furniture Co. Inc., High Point, N.C.
 [**] Term: 14 Years
 [21] Appl. No.: 911,823
 [22] Filed: Sep. 26, 1986
 [52] U.S. Cl. D6/502
 [58] Field of Search D6/364, 365, 366, 367, D6/502, 360; 297/445, 411, 417

766,484 8/1904 Armstrong 297/417
 2,661,227 12/1953 Murphy 297/417
 2,767,777 10/1956 Kriger et al. 297/417

Primary Examiner—Carmen H. Vales-Lado
 Attorney, Agent, or Firm—C. Robert Rhodes; Judith E. Garmon

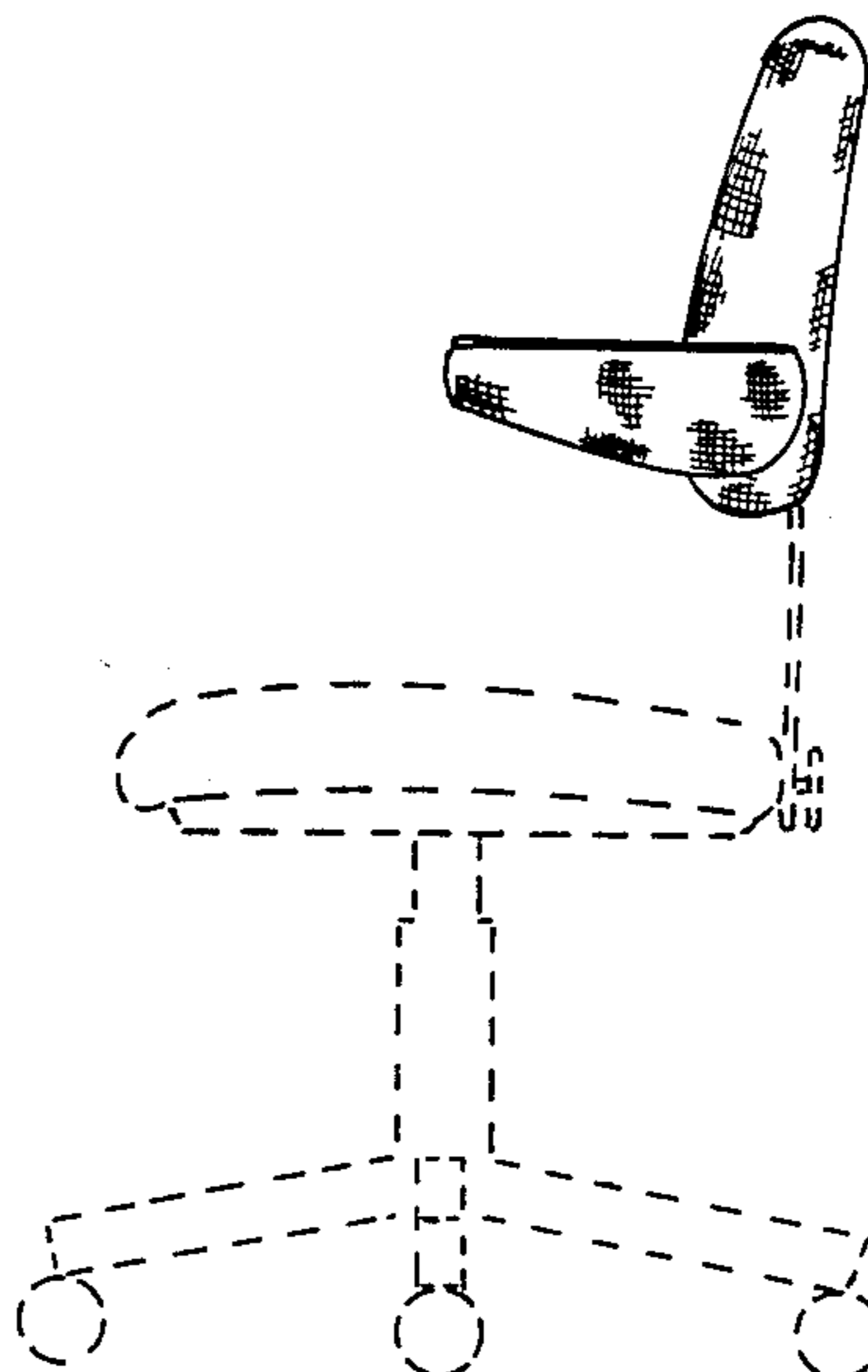
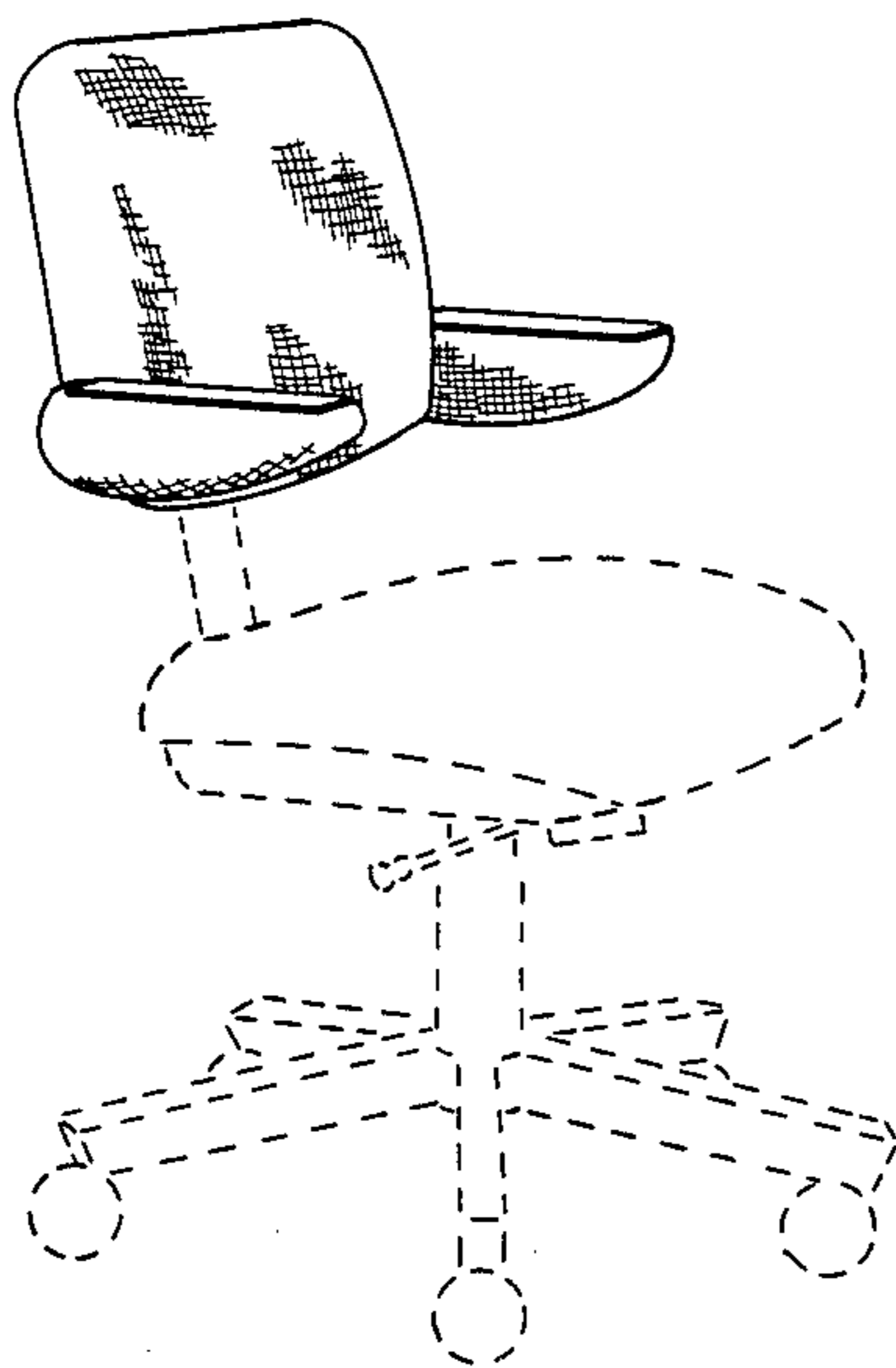
[56] **References Cited**
 U.S. PATENT DOCUMENTS

D. 243,909	4/1977	Gabourie	D6/364
D. 264,774	6/1982	McGirk et al.	D6/367
D. 264,910	6/1982	Stephens	D6/367
D. 279,443	7/1985	Diffrient	D6/502
D. 281,205	11/1985	Timmers	D6/372

[57] **CLAIM**
 The ornamental design for an adjustable chair back, as shown and described.

DESCRIPTION

FIG. 1 is a perspective view of an adjustable chair back showing my new design;
 FIG. 2 is a rear perspective view thereof;
 FIG. 3 is a front elevational view with the arms in folded position;
 FIG. 4 is a right side elevational view of FIG. 1;
 FIG. 5 is a right side elevational view of FIG. 3; and
 FIG. 6 is a top plan view thereof.
 The broken lines in all views are for illustrative purposes only.



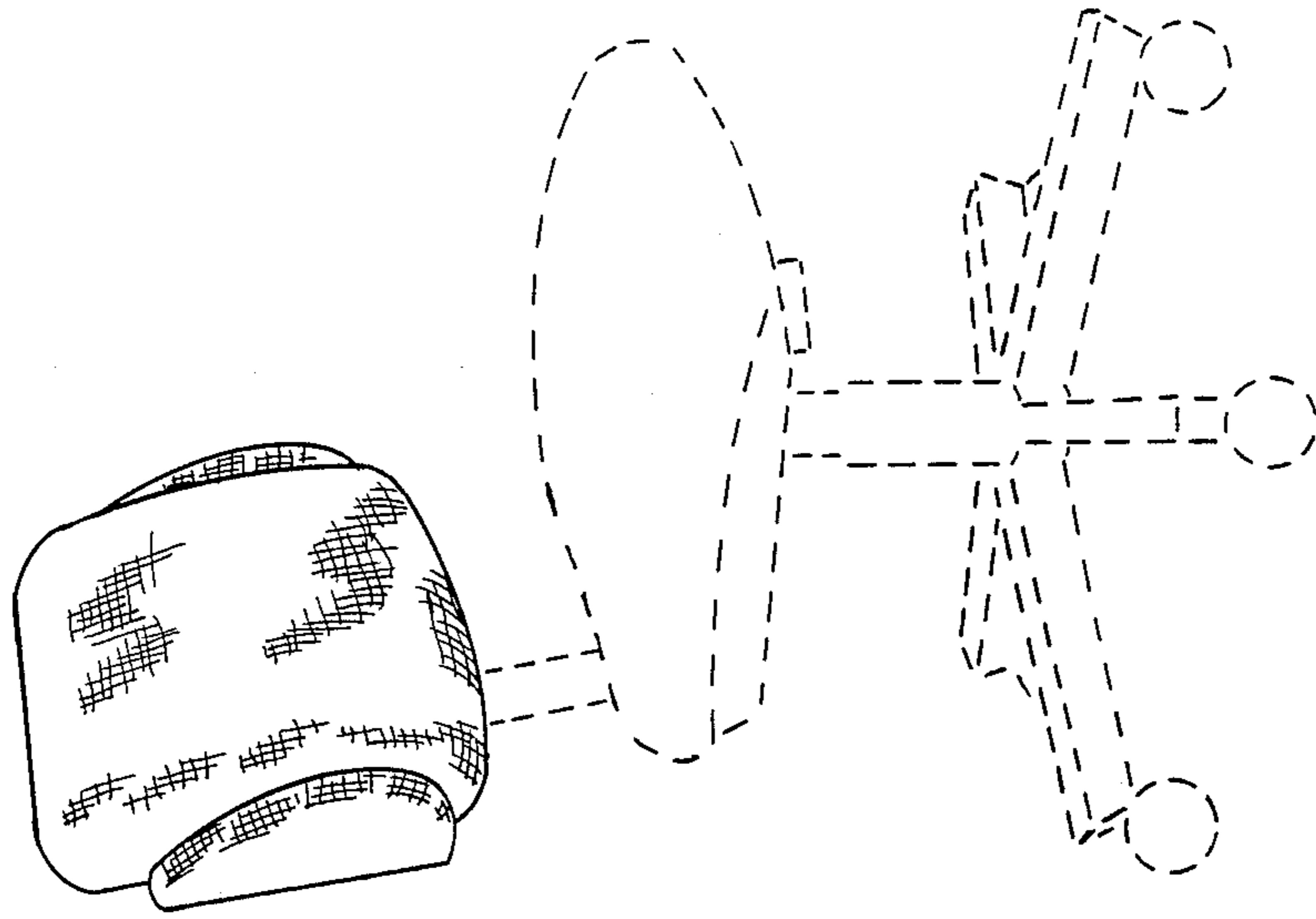


FIG. 1

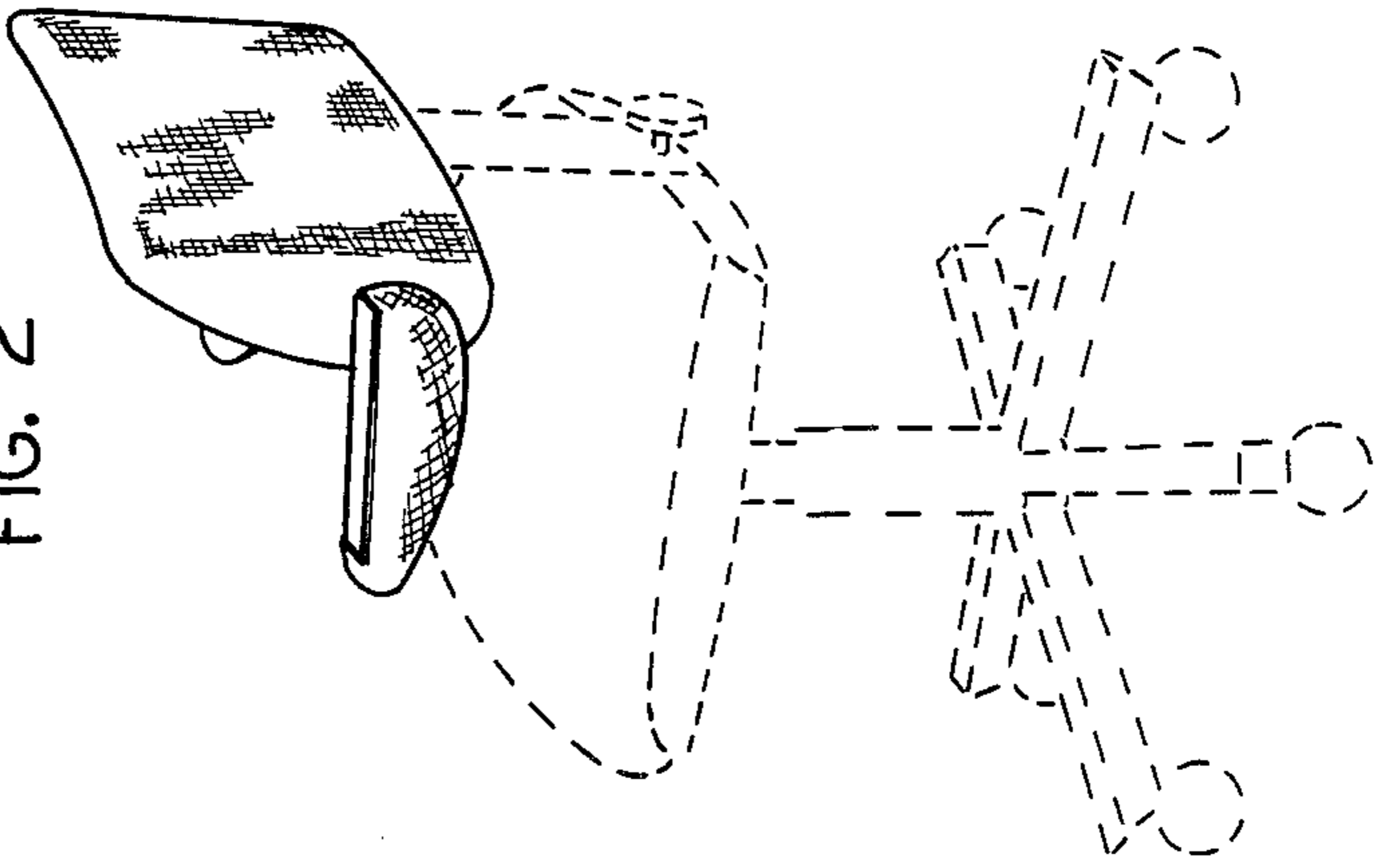


FIG. 2

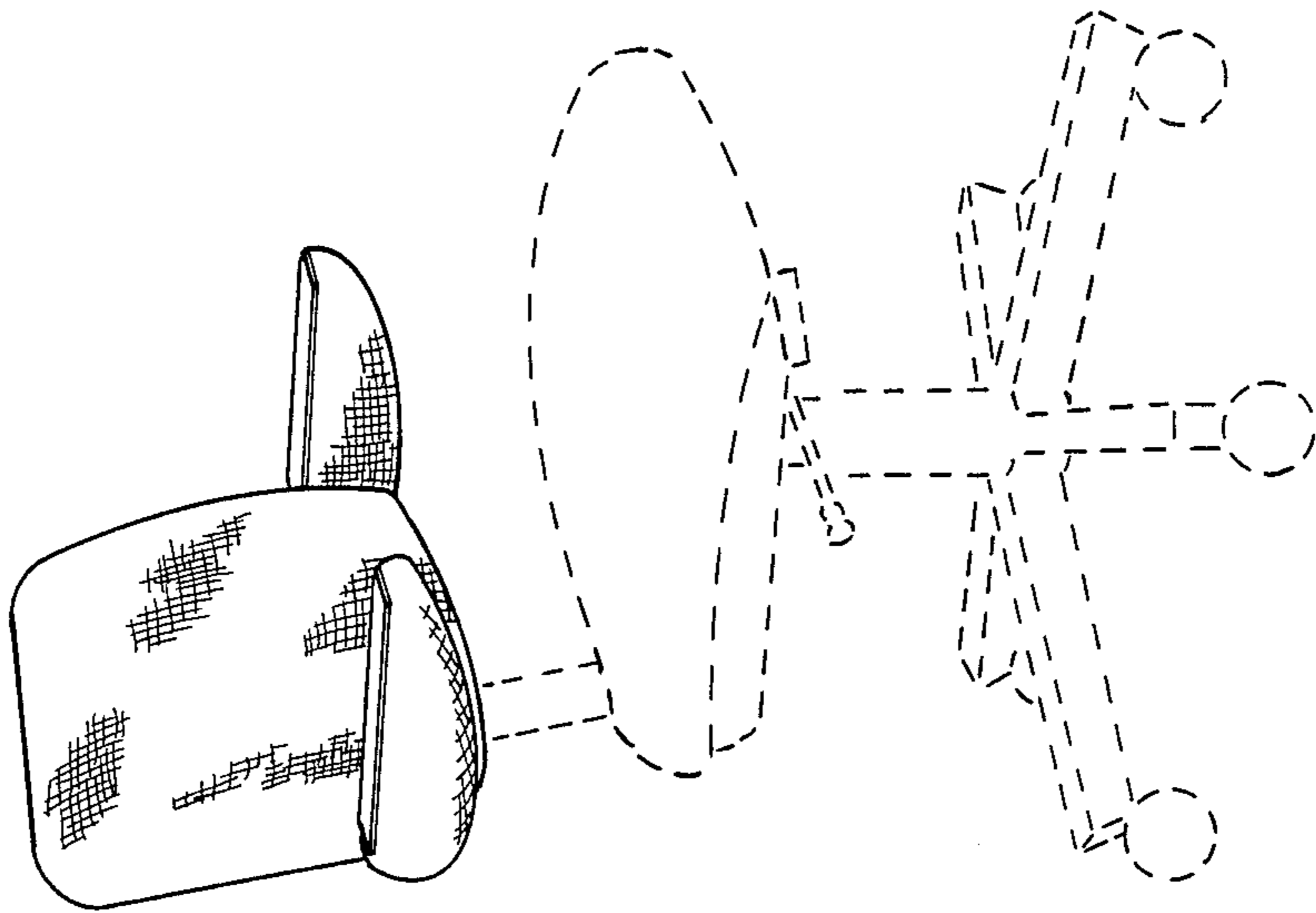


FIG. 3

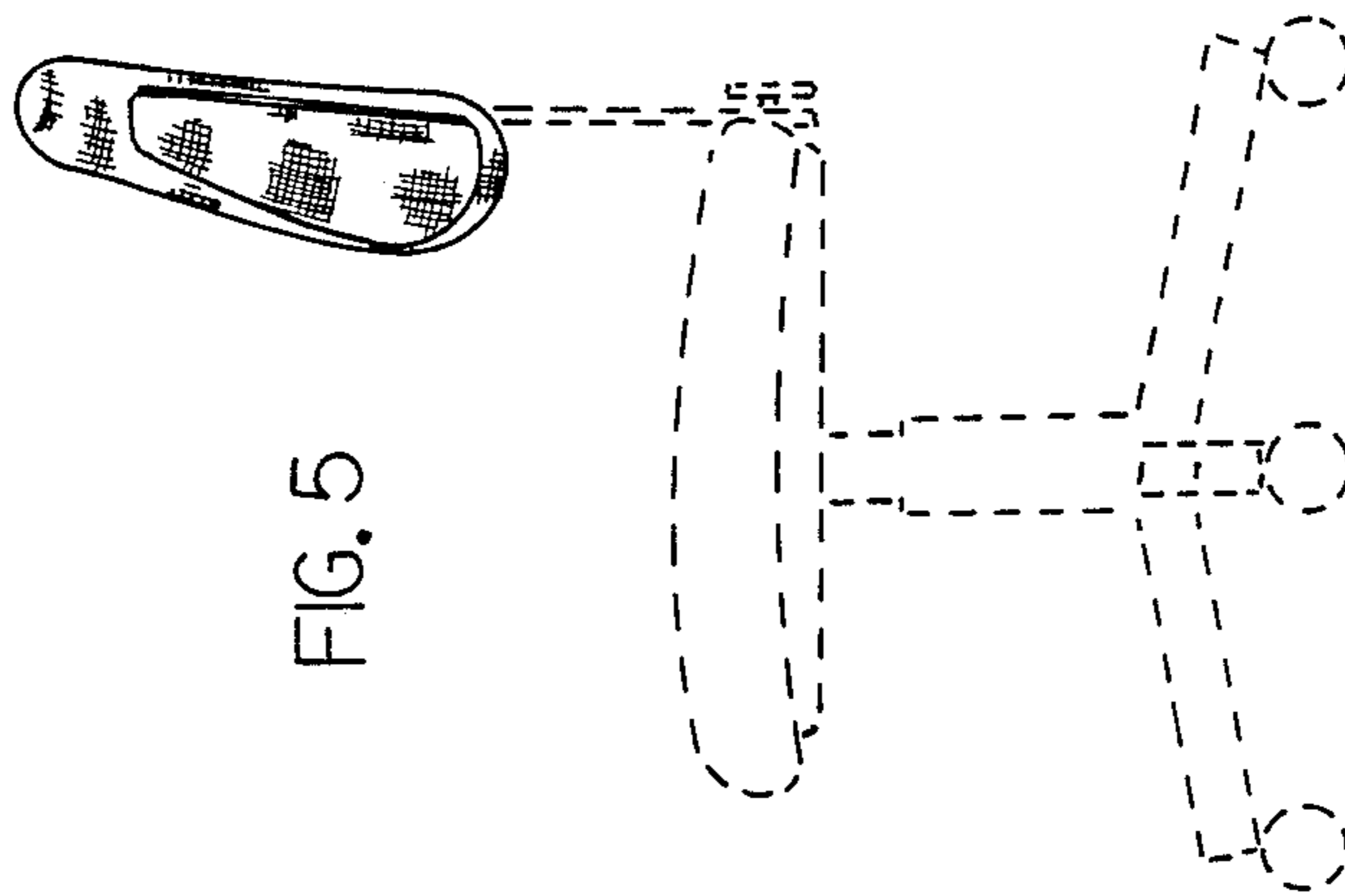


FIG. 5

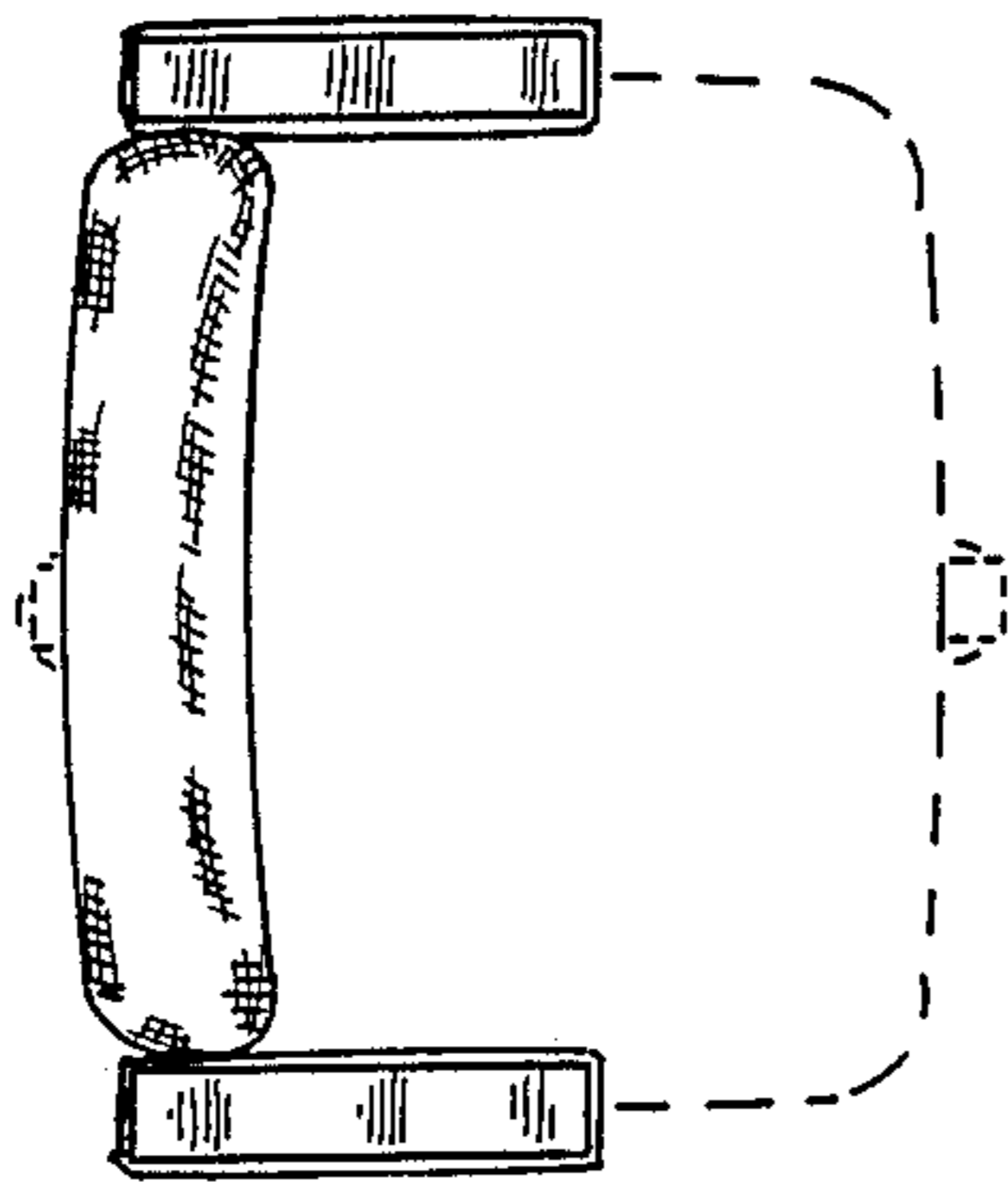


FIG. 6

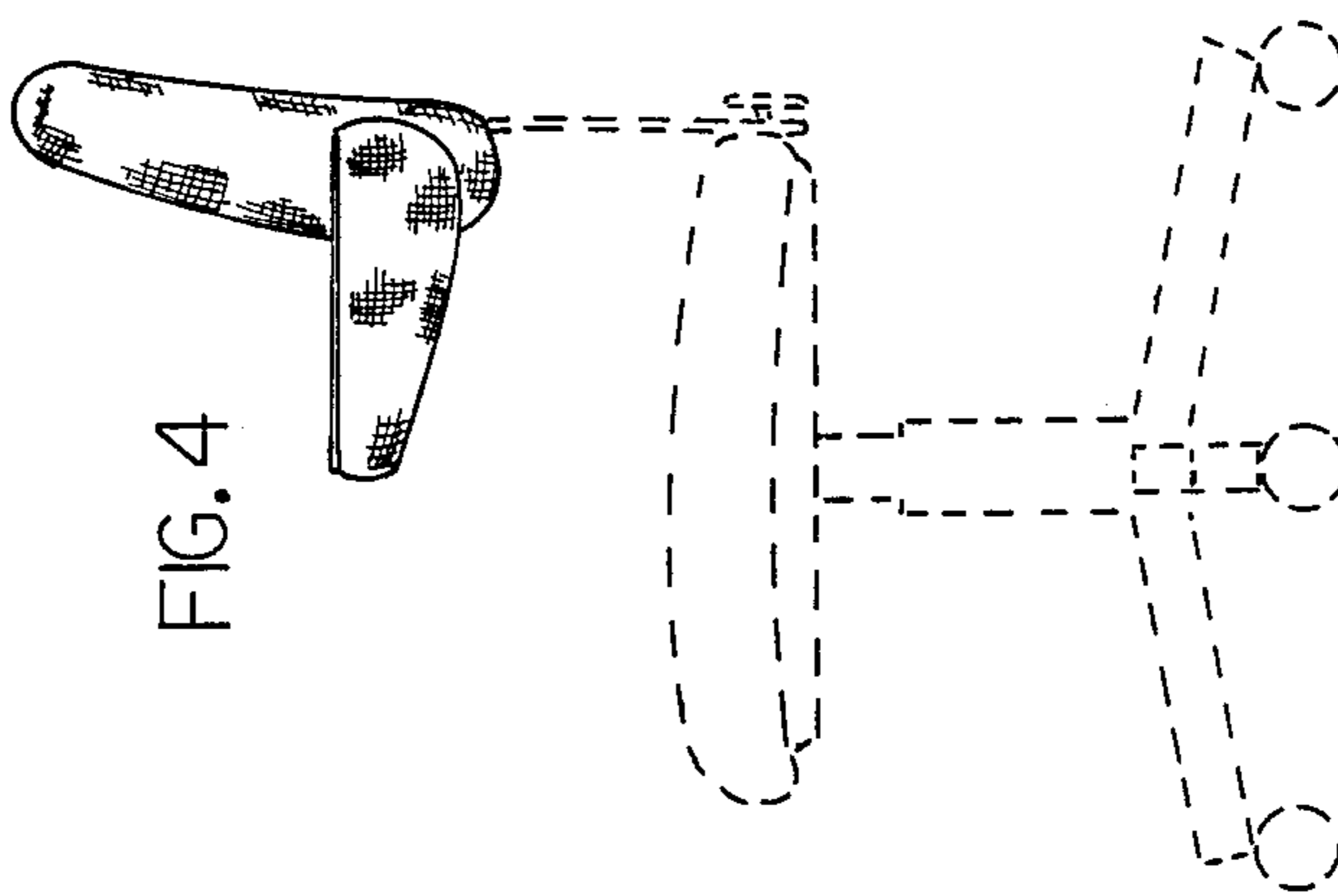


FIG. 4