

# United States Patent [19]

Thompson

[11] Patent Number: **Des. 303,595**

[45] Date of Patent: **\*\* Sep. 26, 1989**

[54] ICE CREAM DISPLAY AND VENDING CASE

[75] Inventors: **W. Neil Thompson, Kensington, Md.**

[73] Assignee: **Unique Caseworks, Inc., Kensington, Md.**

[\*\*] Term: **14 Years**

[21] Appl. No.: **21,016**

[22] Filed: **Mar. 3, 1987**

[52] U.S. Cl. .... **D6/472; D6/436**

[58] Field of Search ..... **D6/432, 436, 437, 438, D6/439, 470, 471, 472; D15/82; 312/114, 116, 140.1**

[56] **References Cited**

### U.S. PATENT DOCUMENTS

D. 107,456 12/1937 Rifkin ..... D6/436

D. 125,292 2/1941 Shell ..... D6/436  
D. 156,416 12/1949 Greiling ..... D6/470  
D. 268,069 3/1983 Milstein ..... D6/472  
D. 294,315 2/1988 Jakubowski ..... D6/472

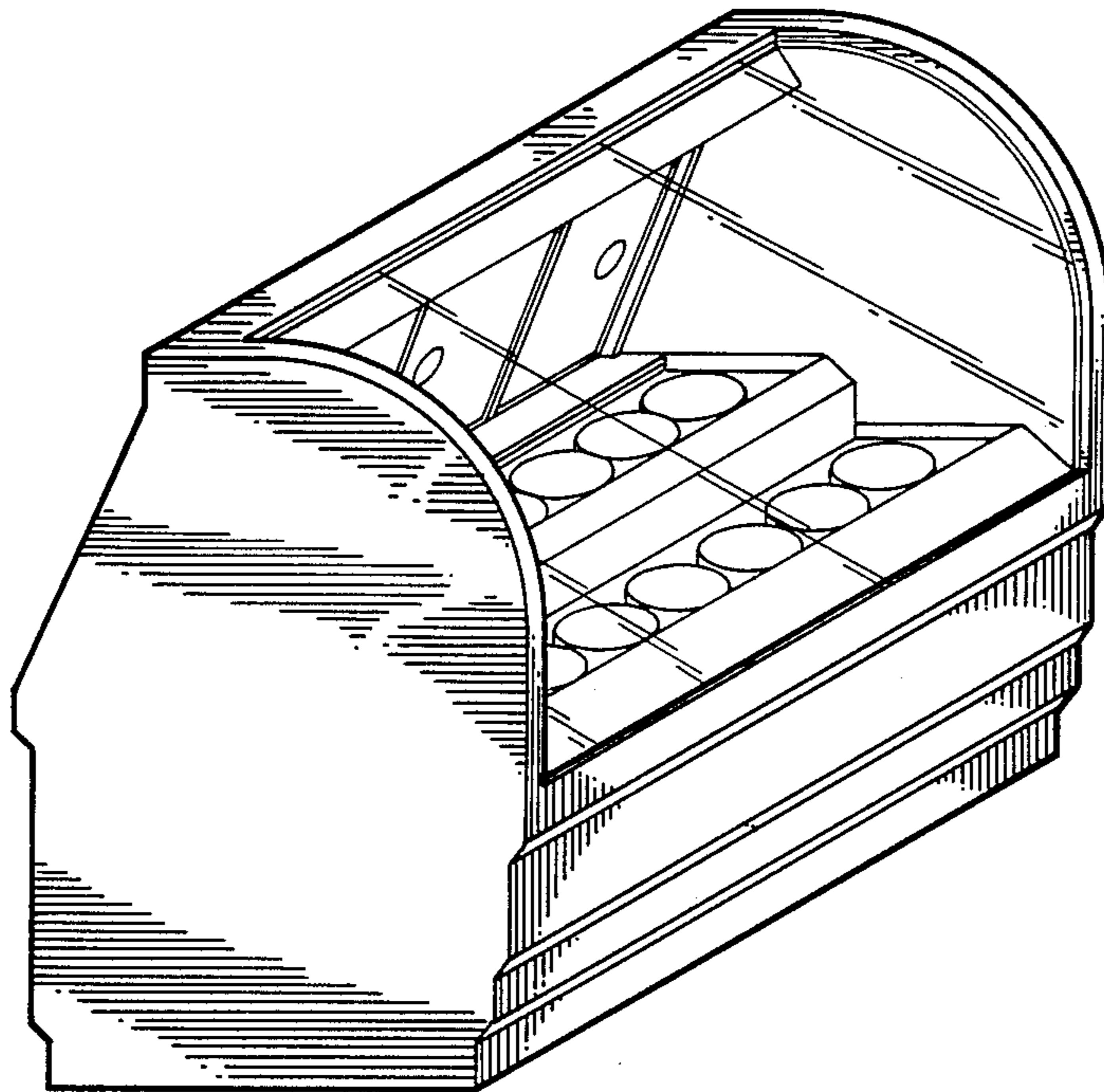
*Primary Examiner*—Carmen H. Vales-Lado  
*Attorney, Agent, or Firm*—William L. Gates

### [57] CLAIM

The ornamental design for an ice cream display and vending case, as shown and described.

### DESCRIPTION

FIG. 1 is a perspective view of an ice cream display and vending case showing my new design; FIG. 2 is a front elevational view thereof; FIG. 3 is a rear elevational view thereof; FIG. 4 is a top elevational view thereof; FIG. 5 is a right side elevational view thereof; and FIG. 6 is a perspective view of a modified form of the ice cream display and vending case shown in FIG. 1.



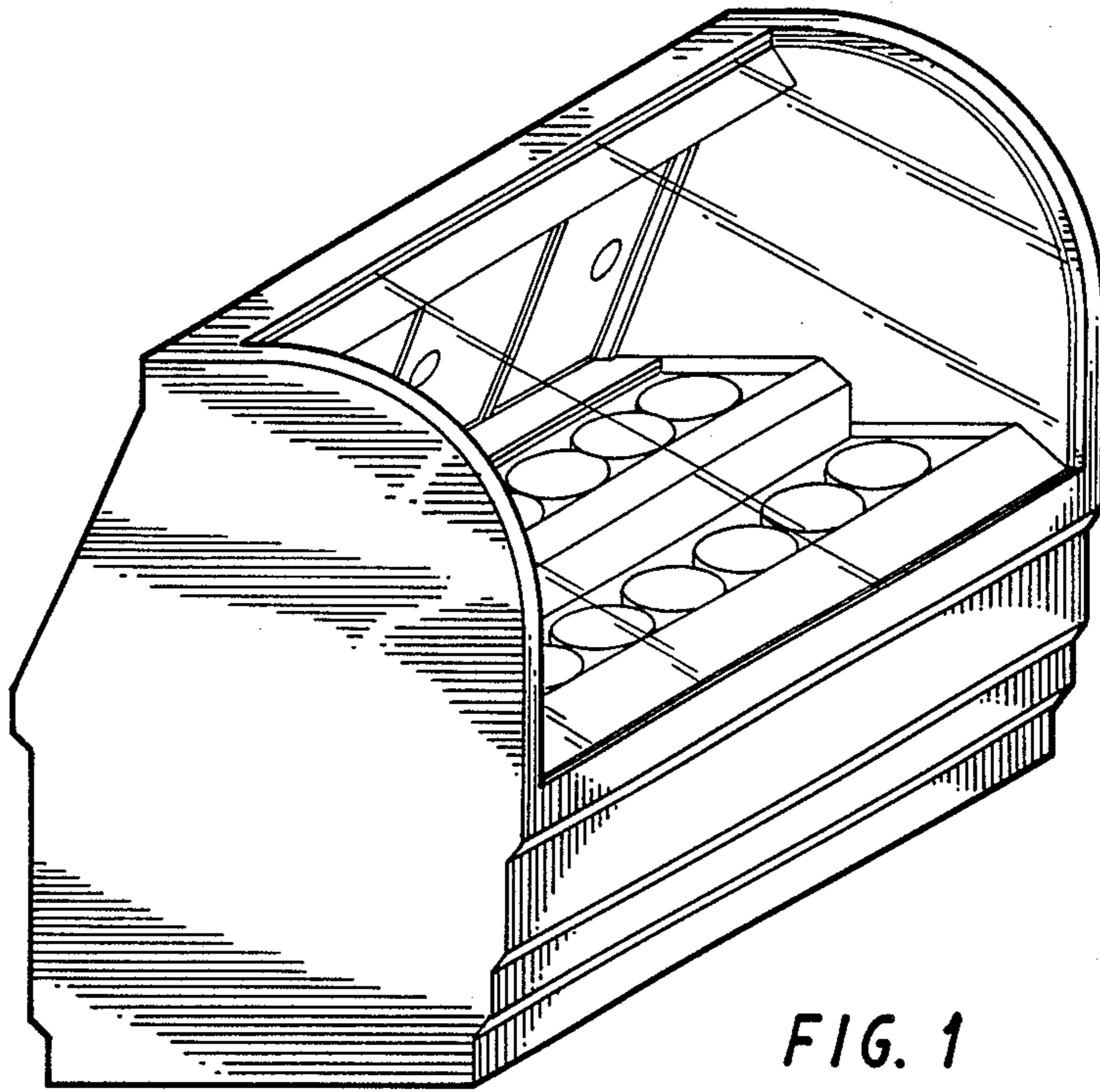


FIG. 1

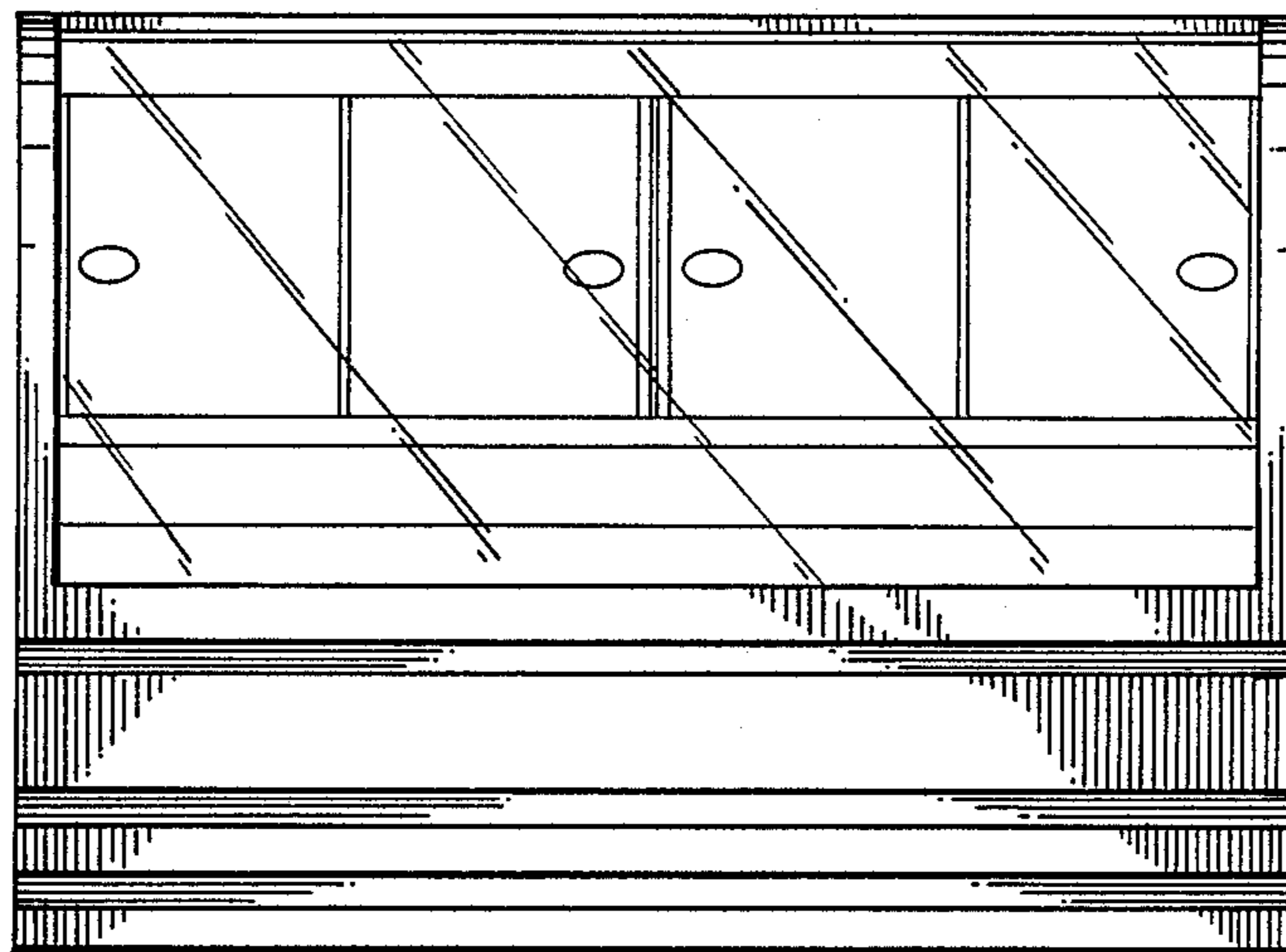


FIG. 2

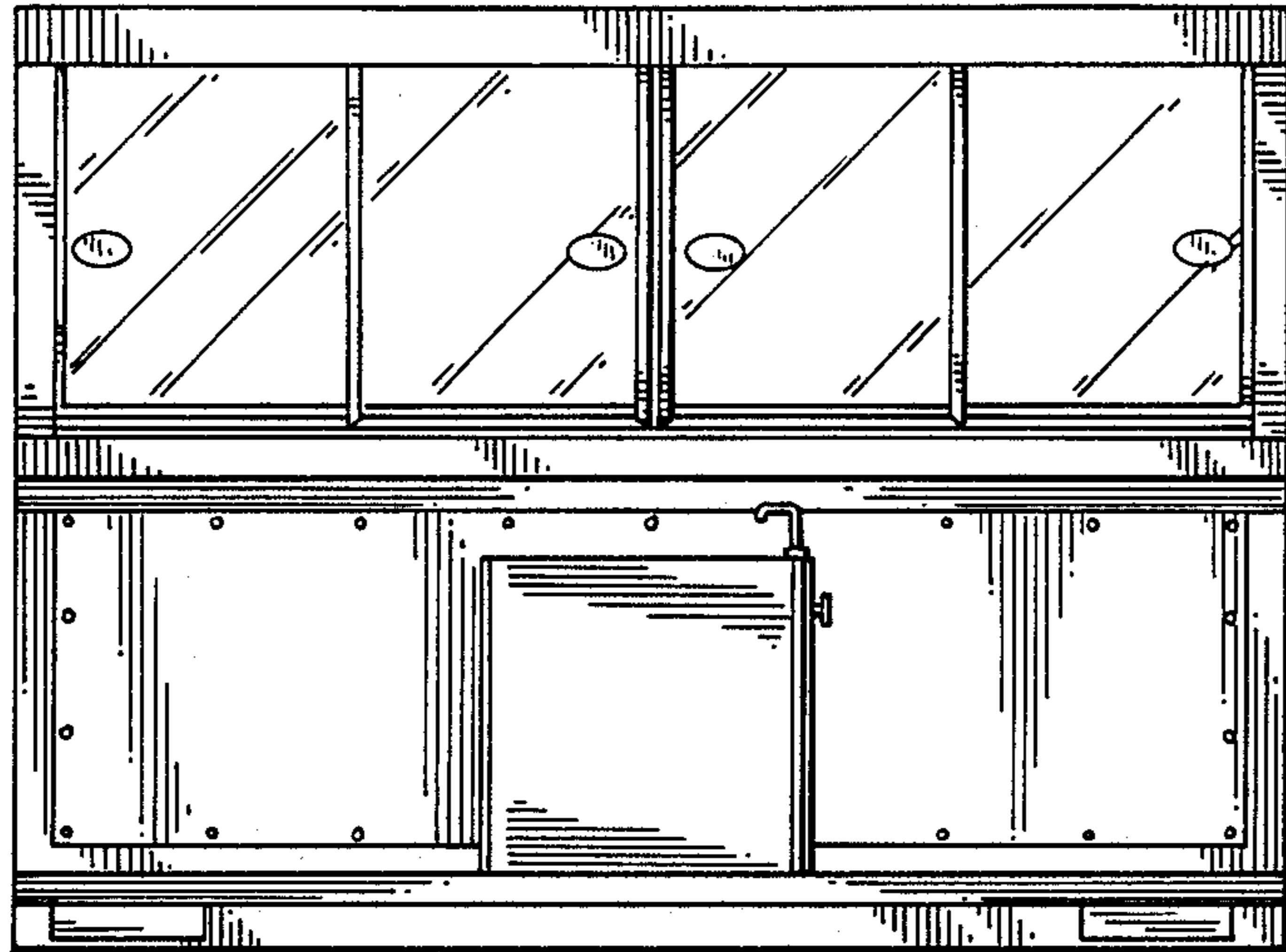


FIG. 3

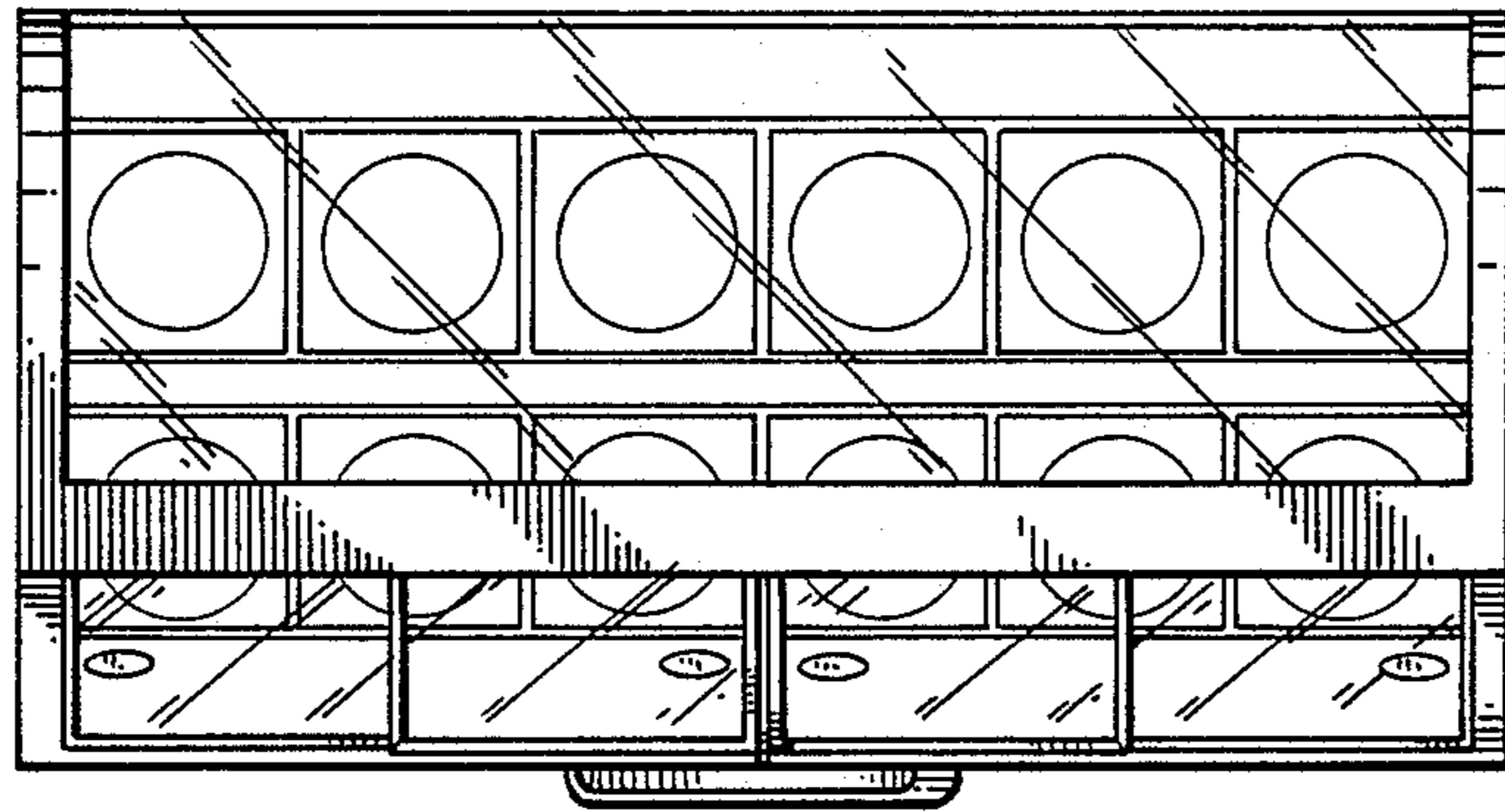


FIG. 4

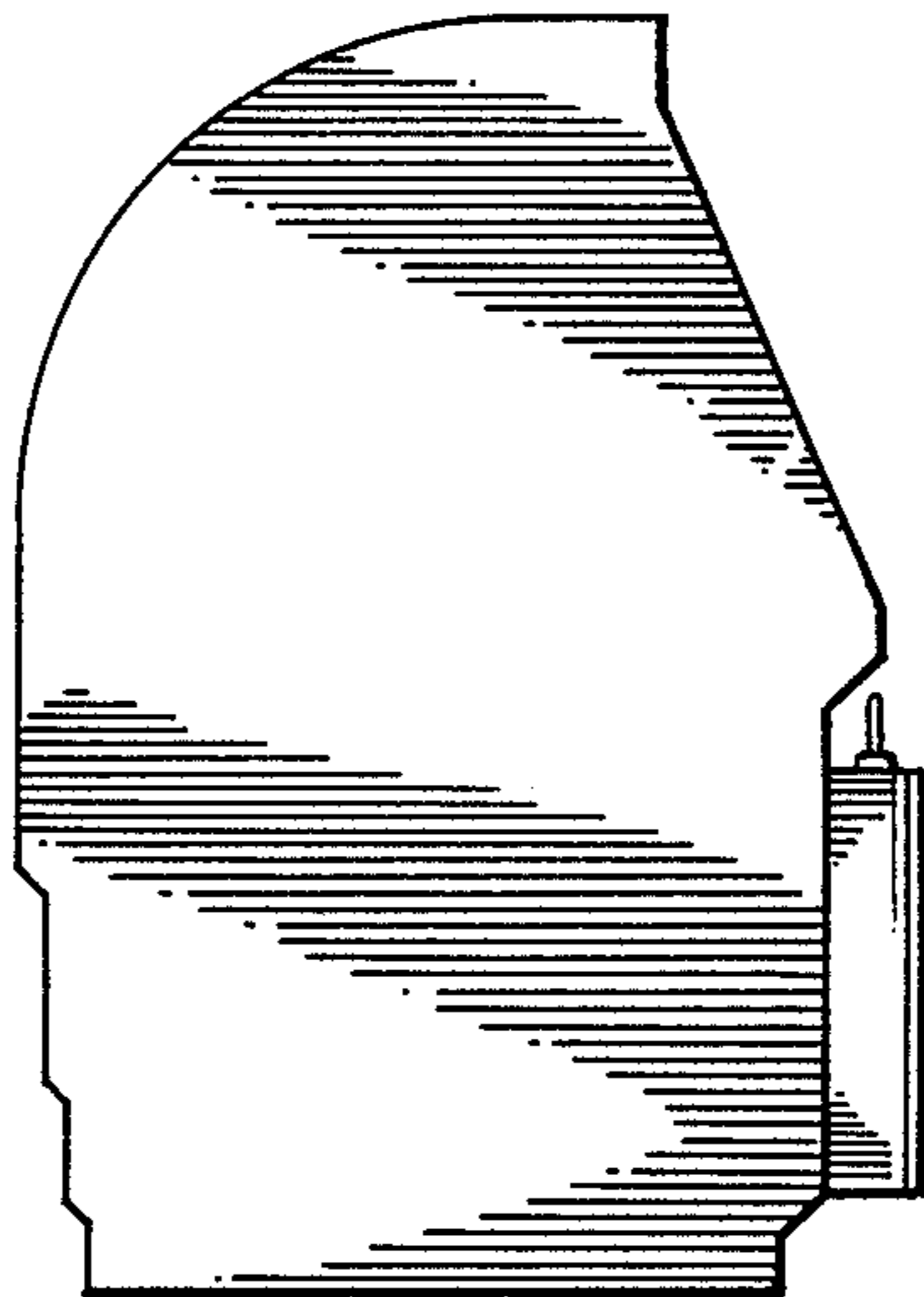


FIG. 5

021016

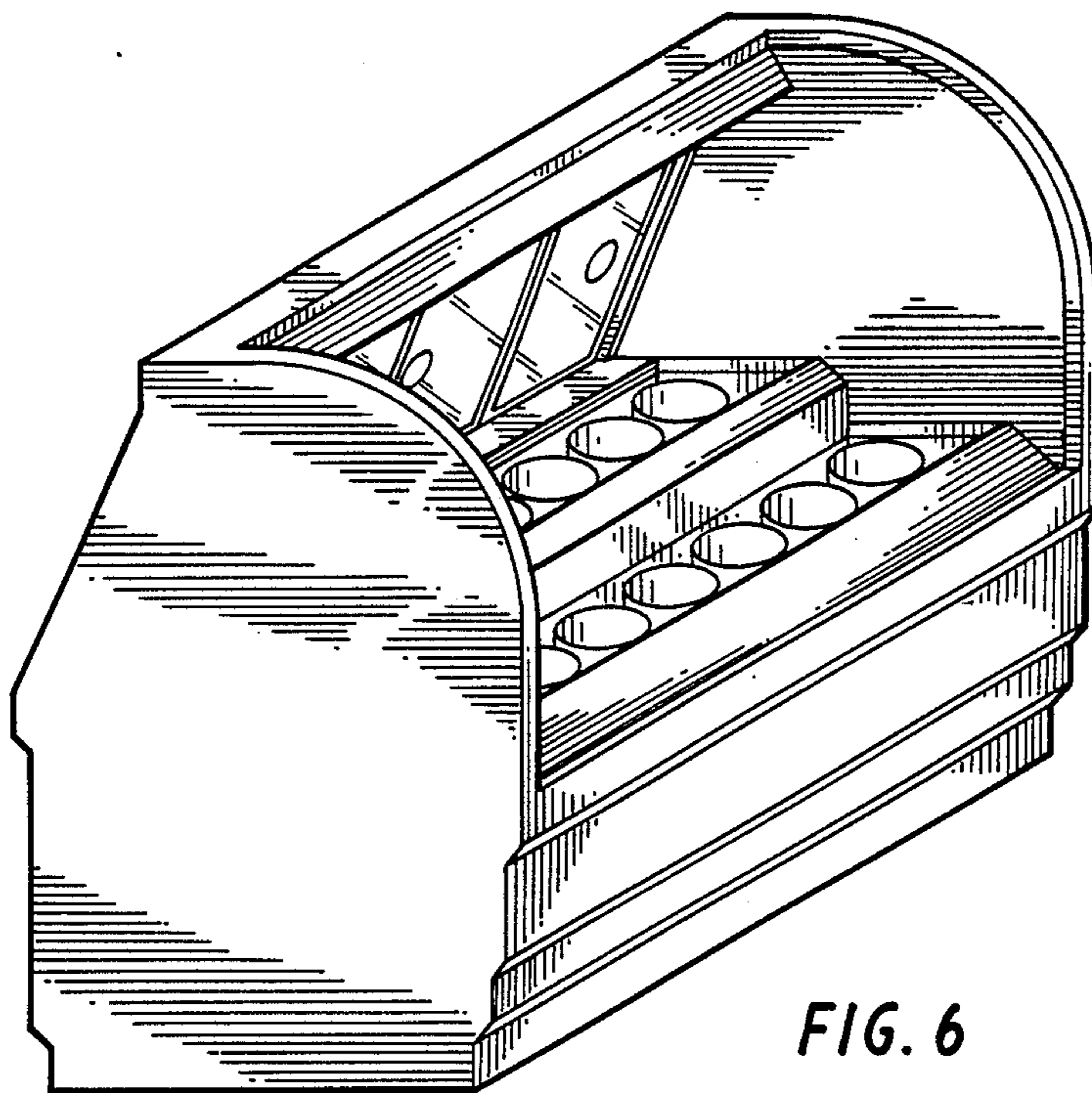


FIG. 6