

[54] CUSHIONED HANGER CLIP OR SIMILAR ARTICLE

4,005,510	2/1977	Noda	24/507
4,277,864	7/1981	Orson, Sr.	24/545
4,638,930	1/1987	Blanchard	24/545
4,701,983	10/1987	Warmath	24/511

[75] Inventor: Raymond Pelosi, Rutherford, N.J.

[73] Assignee: Organize-It-All, Inc., Rutherford, N.J.

Primary Examiner—B. J. Bullock  
Attorney, Agent, or Firm—Kane, Dalsimer, Sullivan, Kurucz, Levy, Eisele and Richard

[\*\*] Term: 14 Years

[57] CLAIM

[21] Appl. No.: 23,291

The ornamental design for a cushioned hanger clip or similar article, as shown and described.

[22] Filed: Mar. 9, 1987

[52] U.S. Cl. D6/328; D8/395; D32/64

[58] Field of Search D8/395; D6/326, 328; D32/61, 64; 24/500, 509, 510, 507, 499, 511, 545; 223/90, 91, 93, 96, 85, DIG. 2

DESCRIPTION

FIG. 1 is a front perspective view of a cushioned hanger clip or similar article showing my new design;  
FIG. 2 is a front elevational view thereof, the rear being identical;  
FIG. 3 is a side elevational view thereof, both sides being identical;  
FIG. 4 is a top plan view thereof;  
FIG. 5 is a bottom plan view thereof.  
The characteristic feature of the design resides in the contrasting appearance of the opposed engaging lips.

[56] References Cited

U.S. PATENT DOCUMENTS

D. 251,345	3/1979	Bigelow	D8/395
D. 277,534	2/1985	Warmath	D6/328
D. 298,703	11/1988	Arnold	D8/395

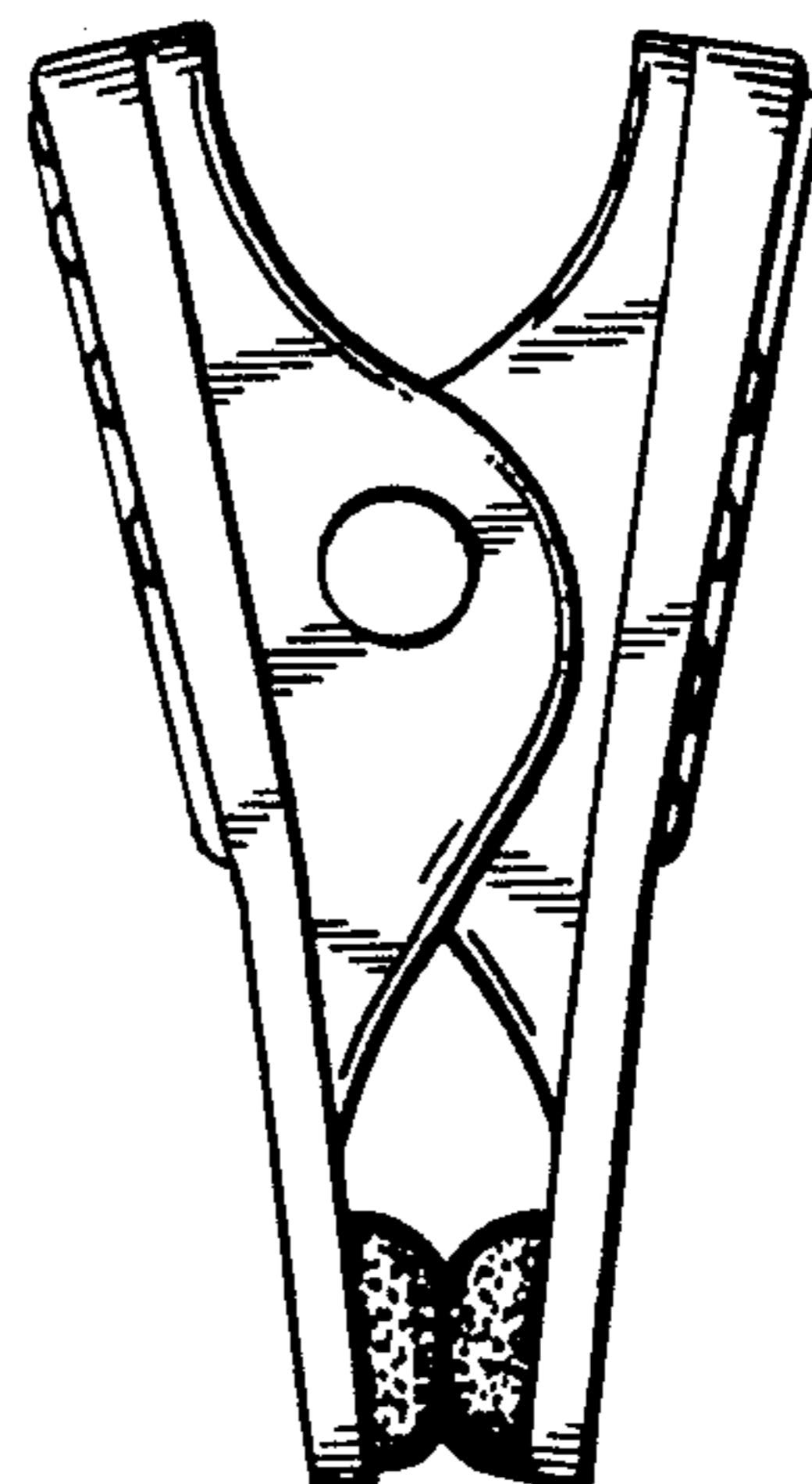
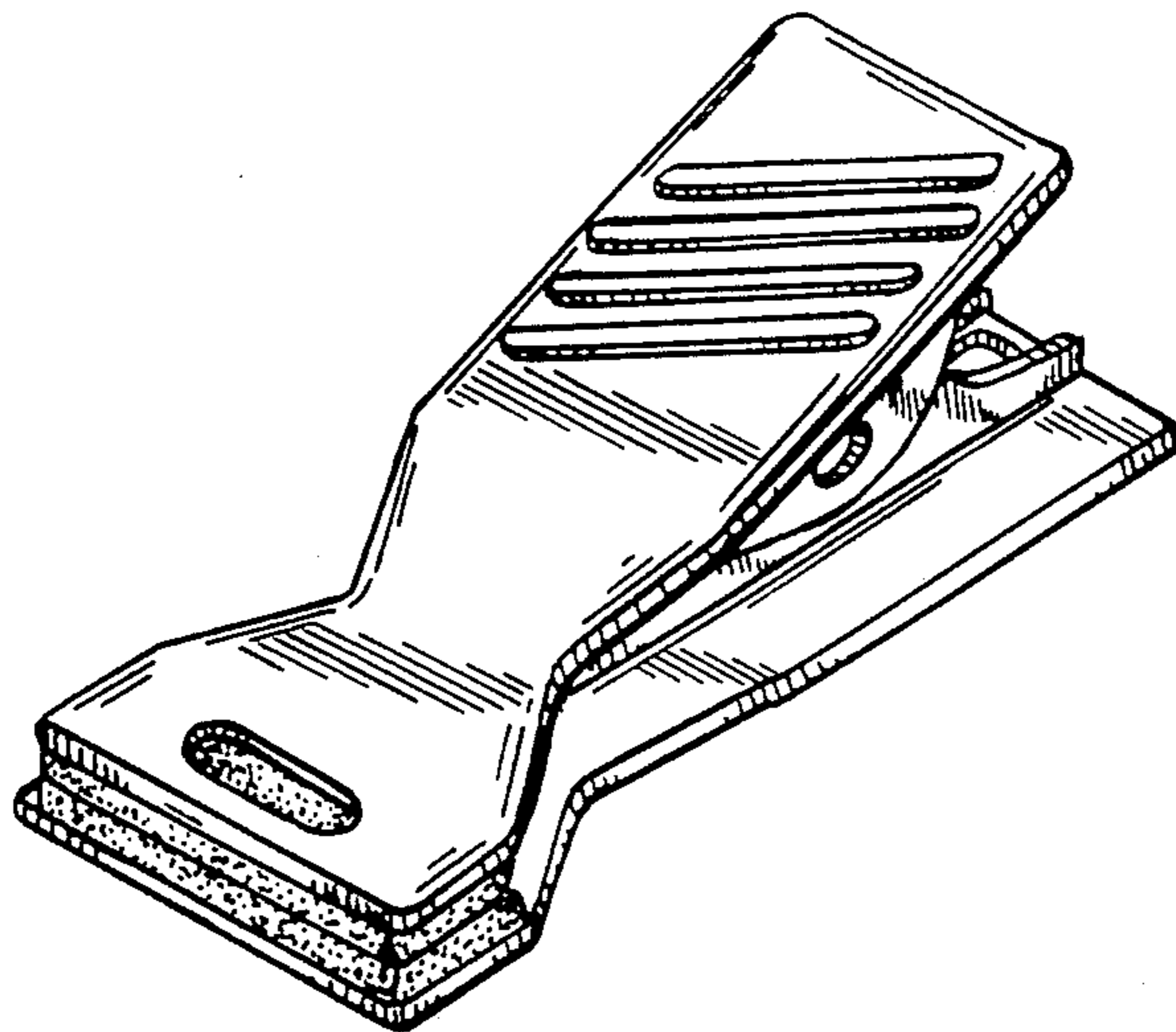


FIG.1

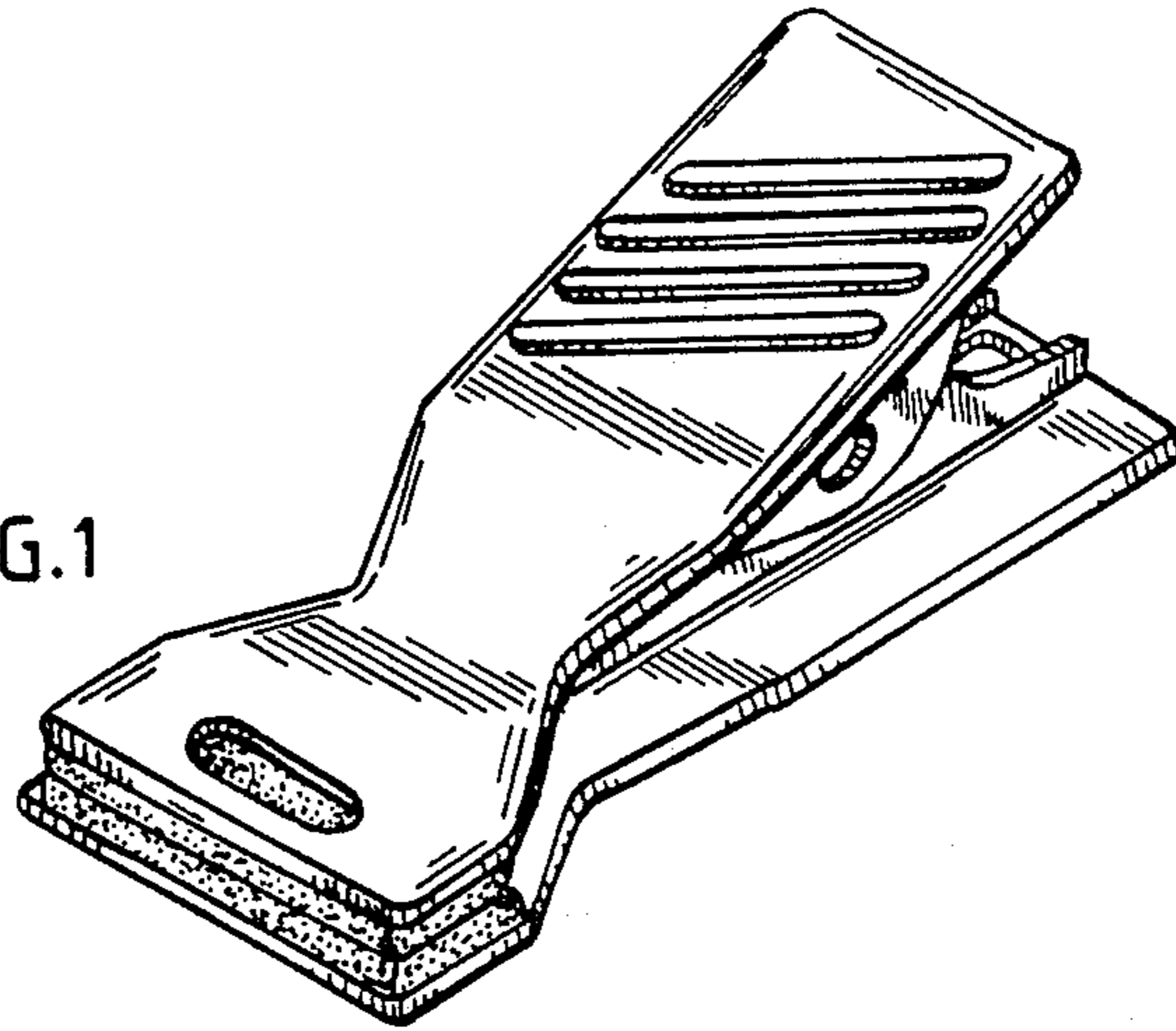


FIG.2

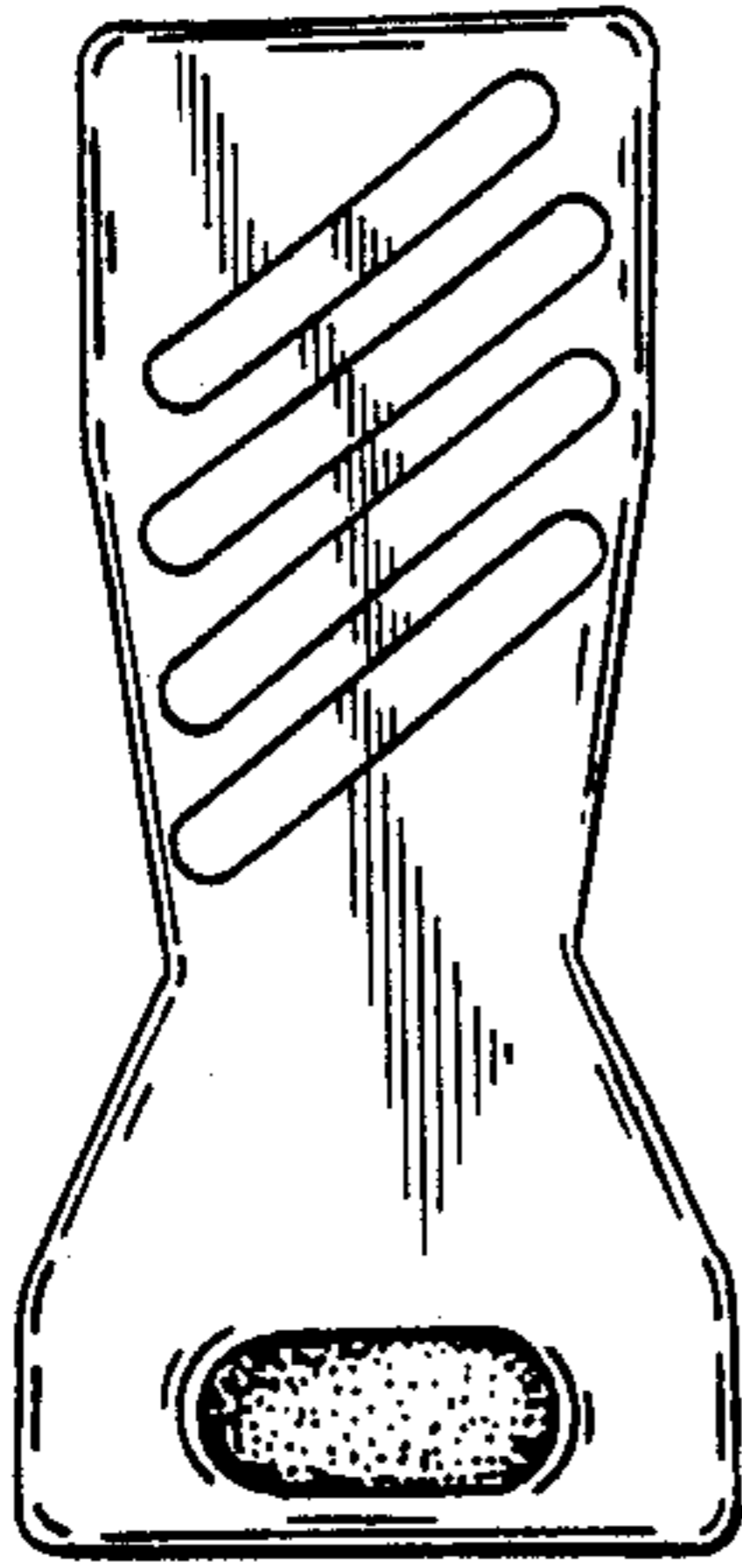


FIG.4

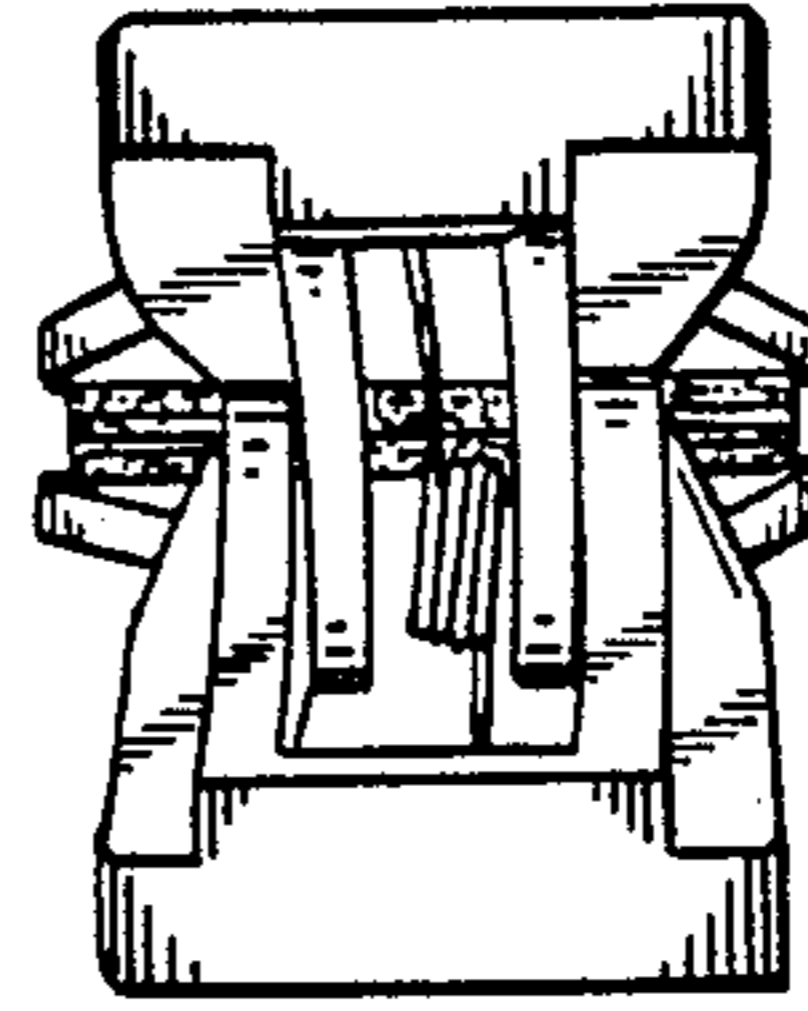


FIG.3

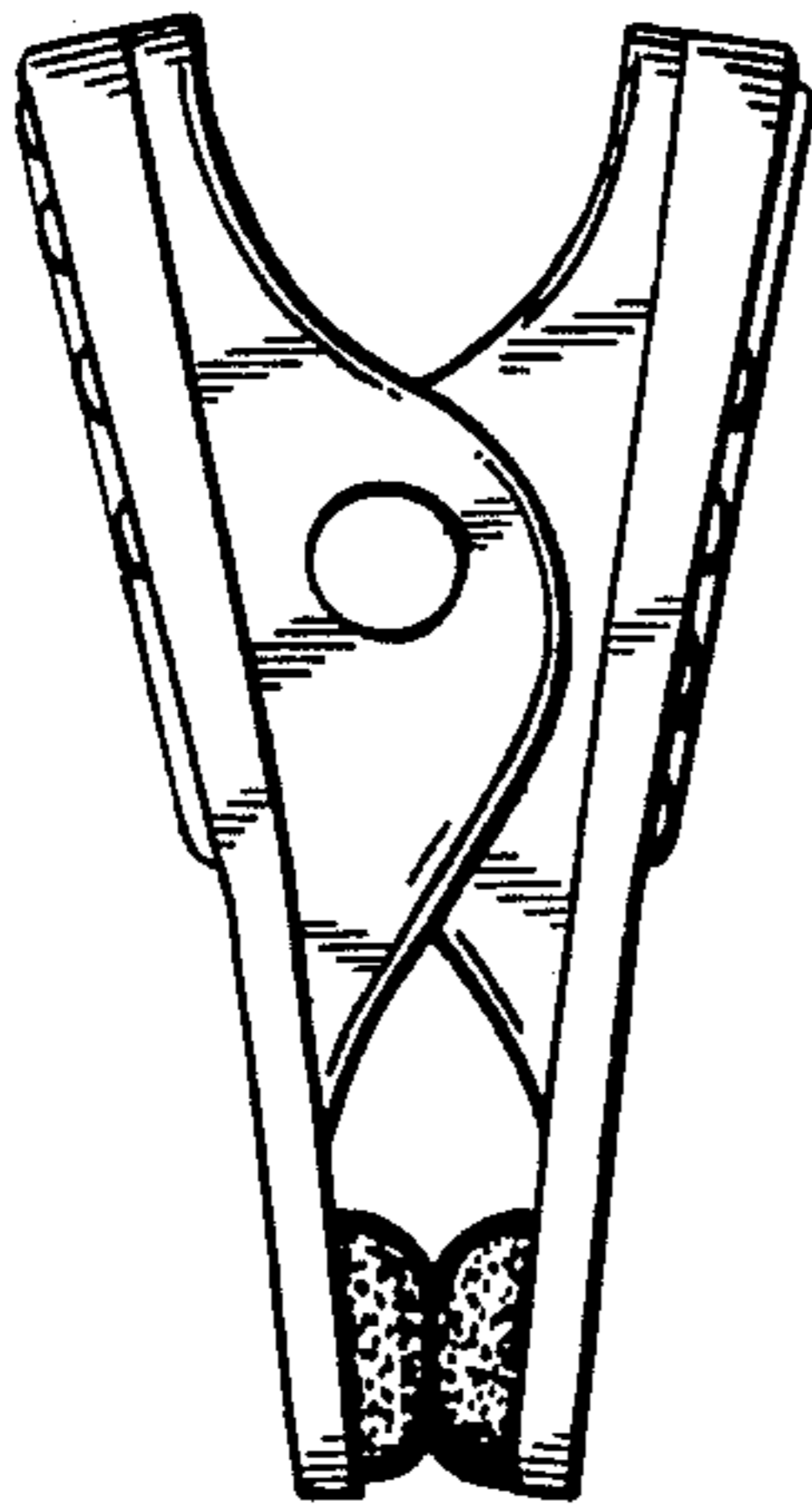


FIG.5

