

# United States Patent [19]

Rudolph et al.

[11] Patent Number: **Des. 303,586**

[45] Date of Patent: **\*\* Sep. 19, 1989**

[54] **THREE WAY Y-SHAPED RESPIRATORY VALVE**

[75] Inventors: **Hans Rudolph, Shawnee Mission; Kevin A. Rudolph, Leawood, both of Kans.**

[73] Assignee: **Hans Rudolph, Inc., Kansas City, Mo.**

[\*\*] Term: **14 Years**

[21] Appl. No.: **82,099**

[22] Filed: **Aug. 6, 1987**

[52] U.S. Cl. .... **D29/7**

[58] Field of Search ..... **D24/53, 51; D29/7.6; 128/205.24, 205.17, 204.19, 203.14, 200.14; 210/448; 452/510.1**

[56] **References Cited**

**U.S. PATENT DOCUMENTS**

- D. 276,464 11/1984 Weigl et al. .... D24/53
- D. 276,465 11/1984 Clawson et al. .... D24/53
- D. 300,270 3/1989 Rudolph et al. .... D29/7
- D. 300,271 3/1989 Rudolph et al. .... D29/7

- D. 300,272 3/1989 Rudolph et al. .... D29/7
- D. 300,273 3/1989 Rudolph et al. .... D29/7
- D. 300,274 3/1989 Rudolph et al. .... D29/7
- 3,643,686 2/1972 Koegel ..... 128/205.24 X
- 4,436,090 3/1984 Darling ..... 128/205.24 X
- 4,489,721 12/1984 Ozaki et al. .... 128/205.24
- 4,493,339 1/1985 Porter, Jr. .... 128/205.24 X

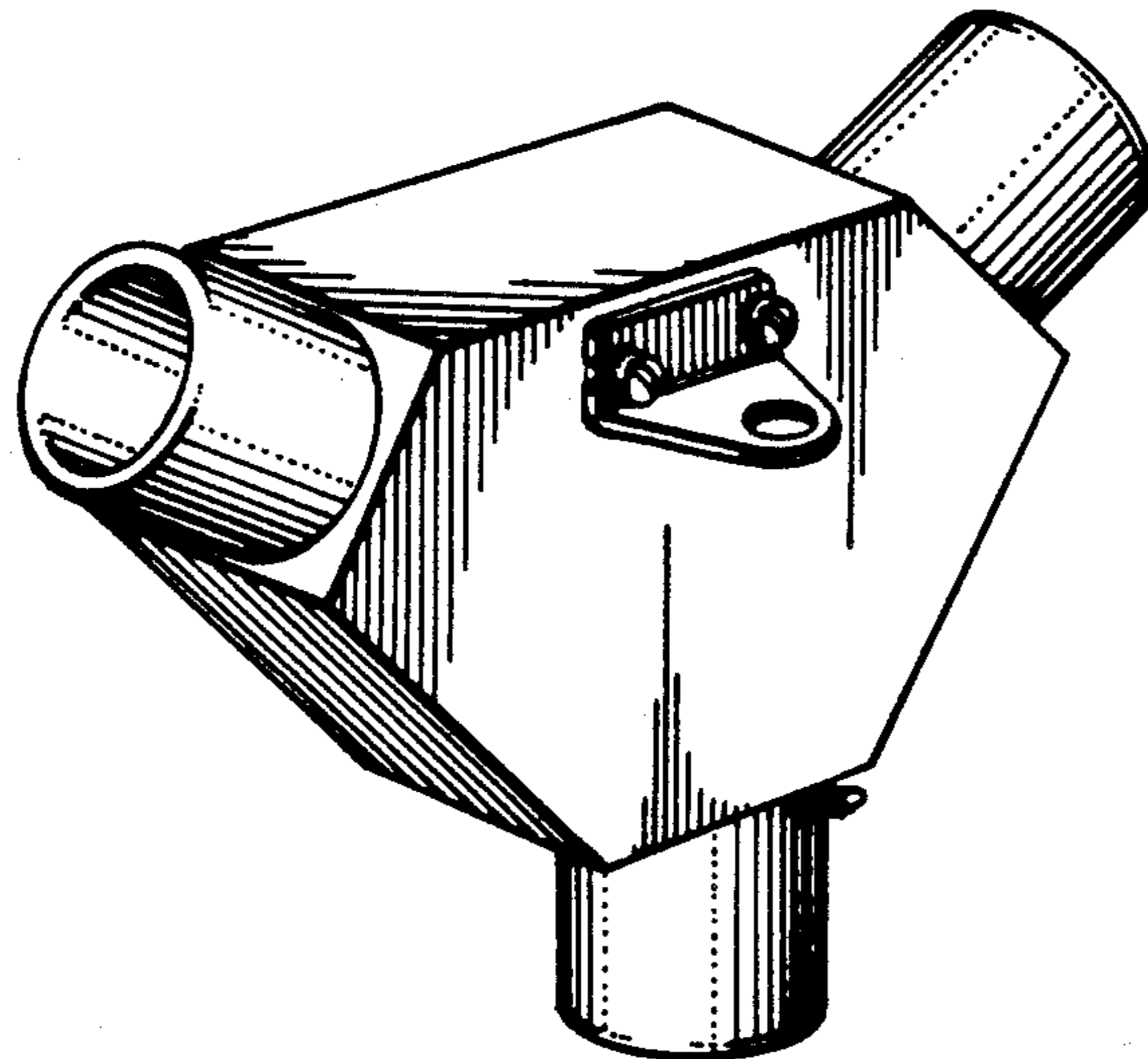
*Primary Examiner*—Wallace R. Burke  
*Assistant Examiner*—Stella M. Reid  
*Attorney, Agent, or Firm*—Litman, McMahon & Brown

[57] **CLAIM**

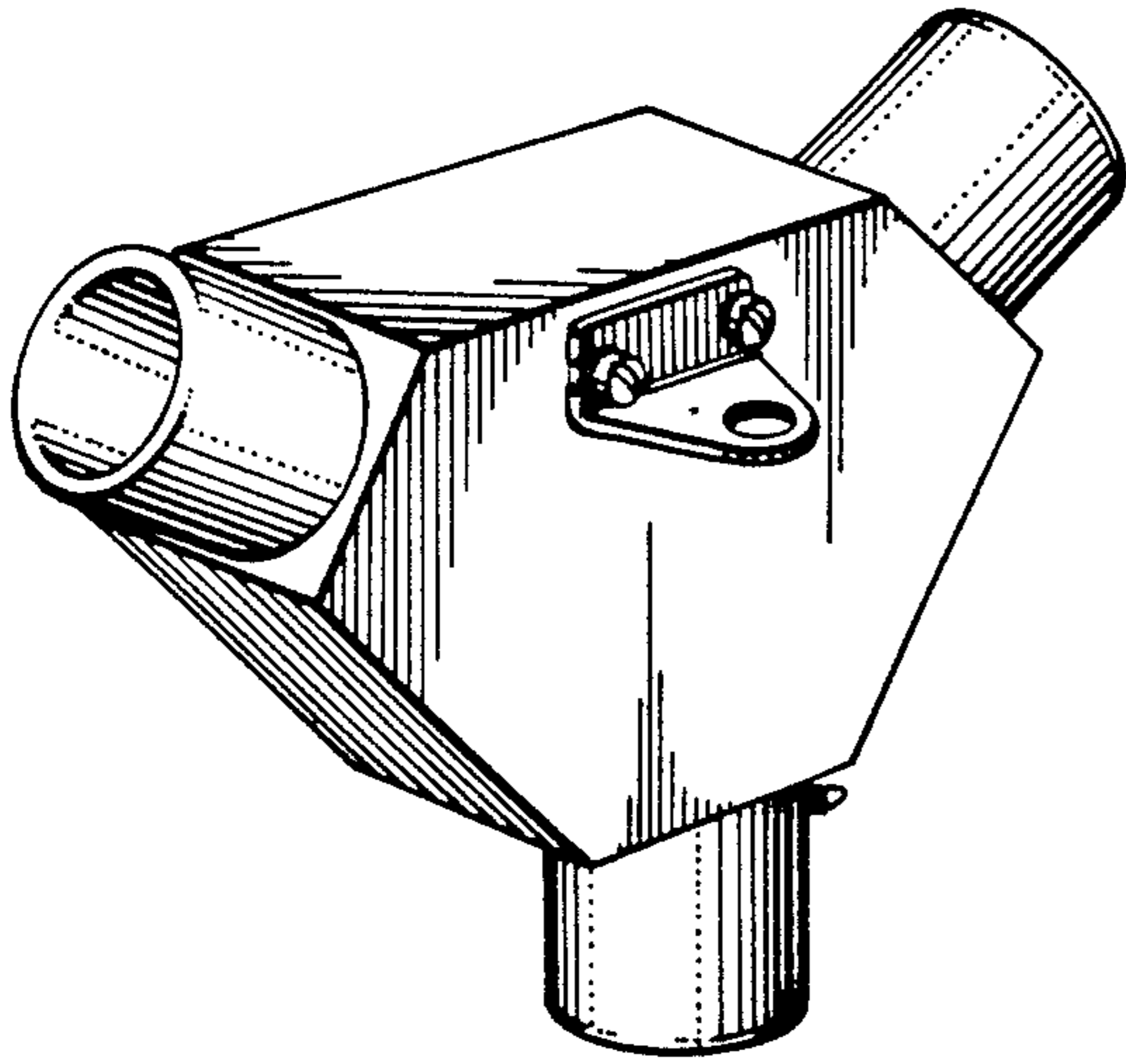
The ornamental design for a three way Y-shaped respiratory valve, as shown and described.

**DESCRIPTION**

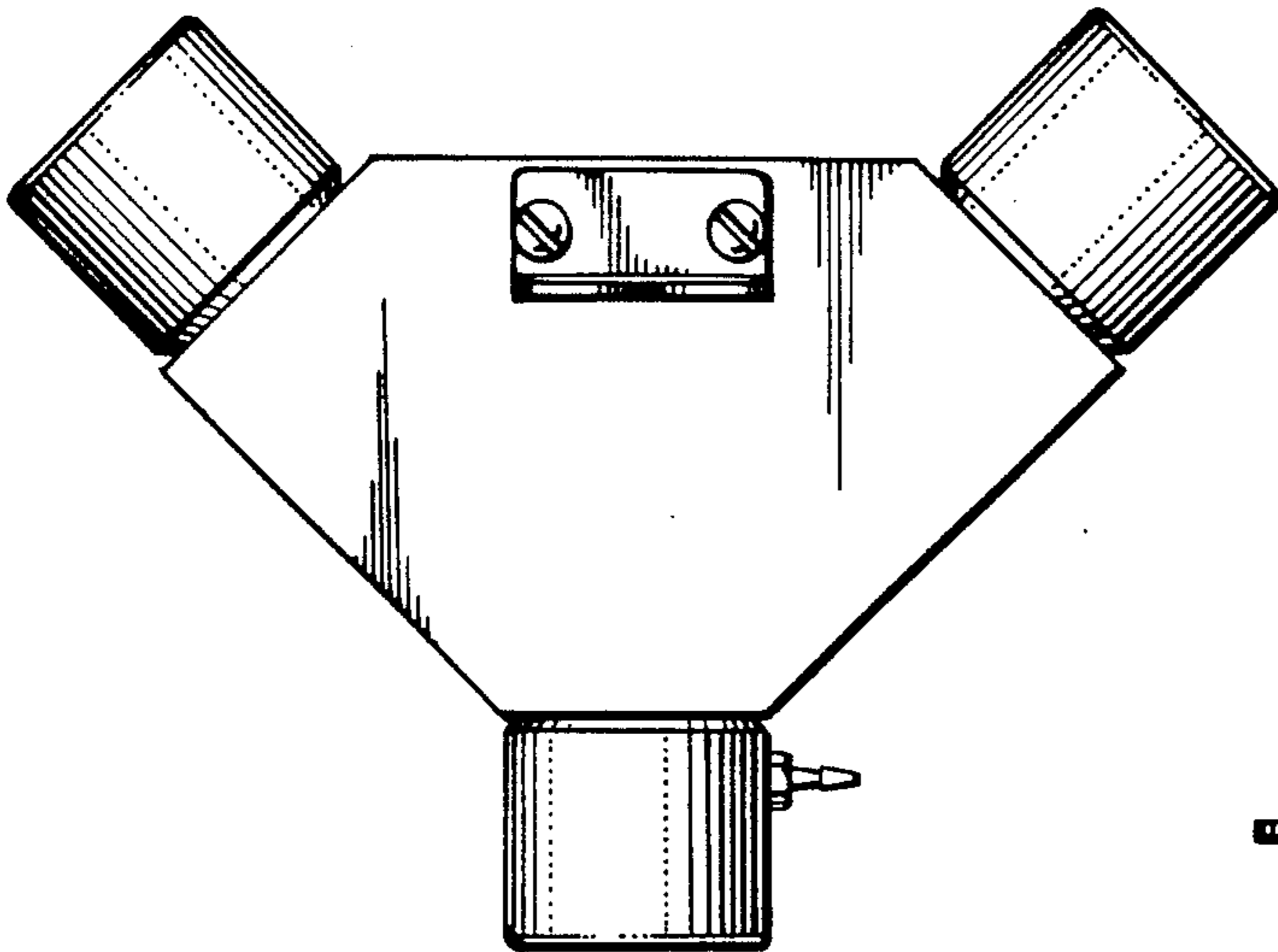
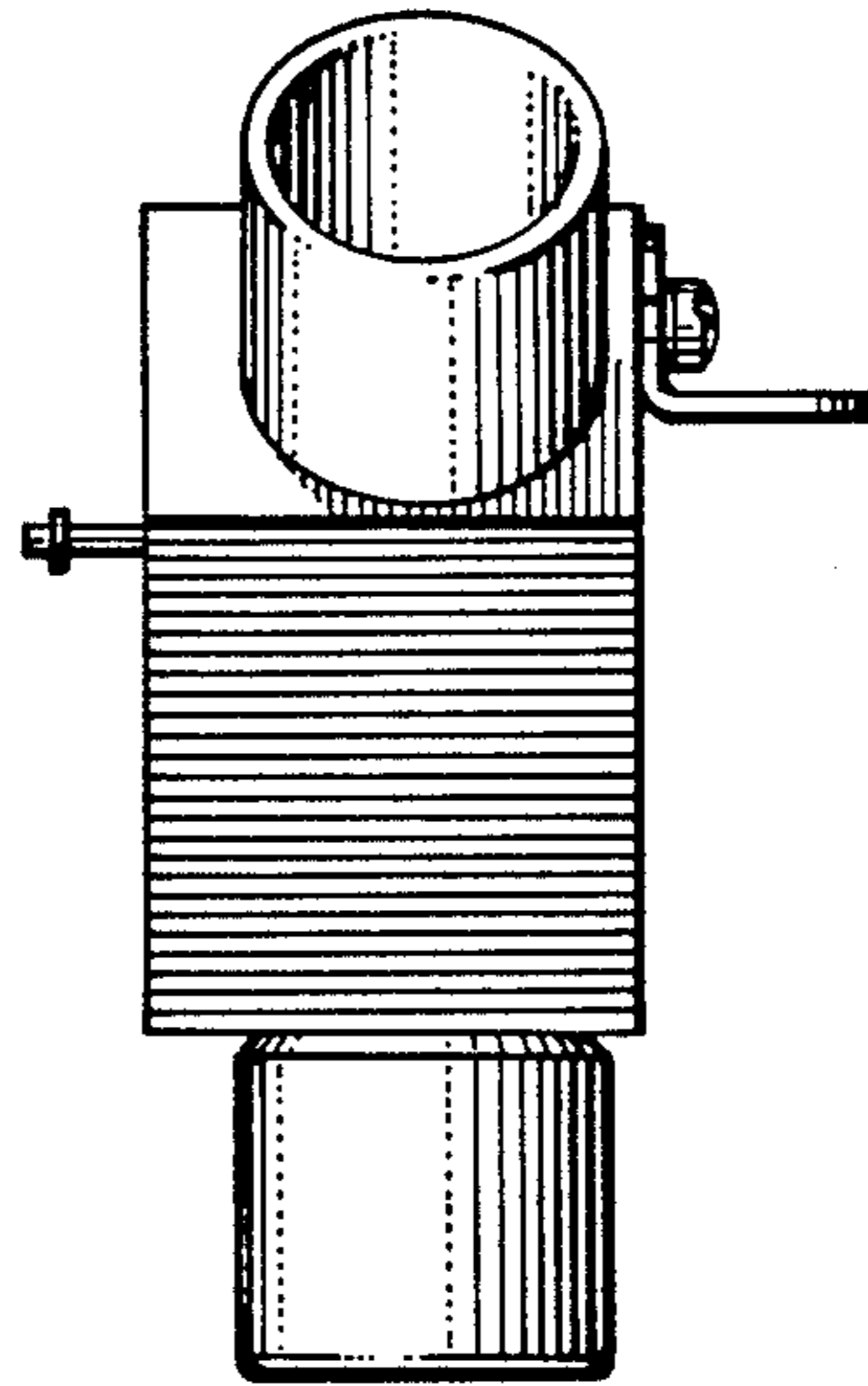
FIG. 1 is a perspective view of a three way Y-shaped respiratory valve, showing our new design; FIG. 2 is a side elevational view thereof; FIG. 3 is a front elevational view thereof; FIG. 4 is a side elevational view thereof, opposite that shown in FIG. 2; FIG. 5 is a rear elevational view thereof; FIG. 6 is a top plan view thereof; and FIG. 7 is a bottom plan view thereof.



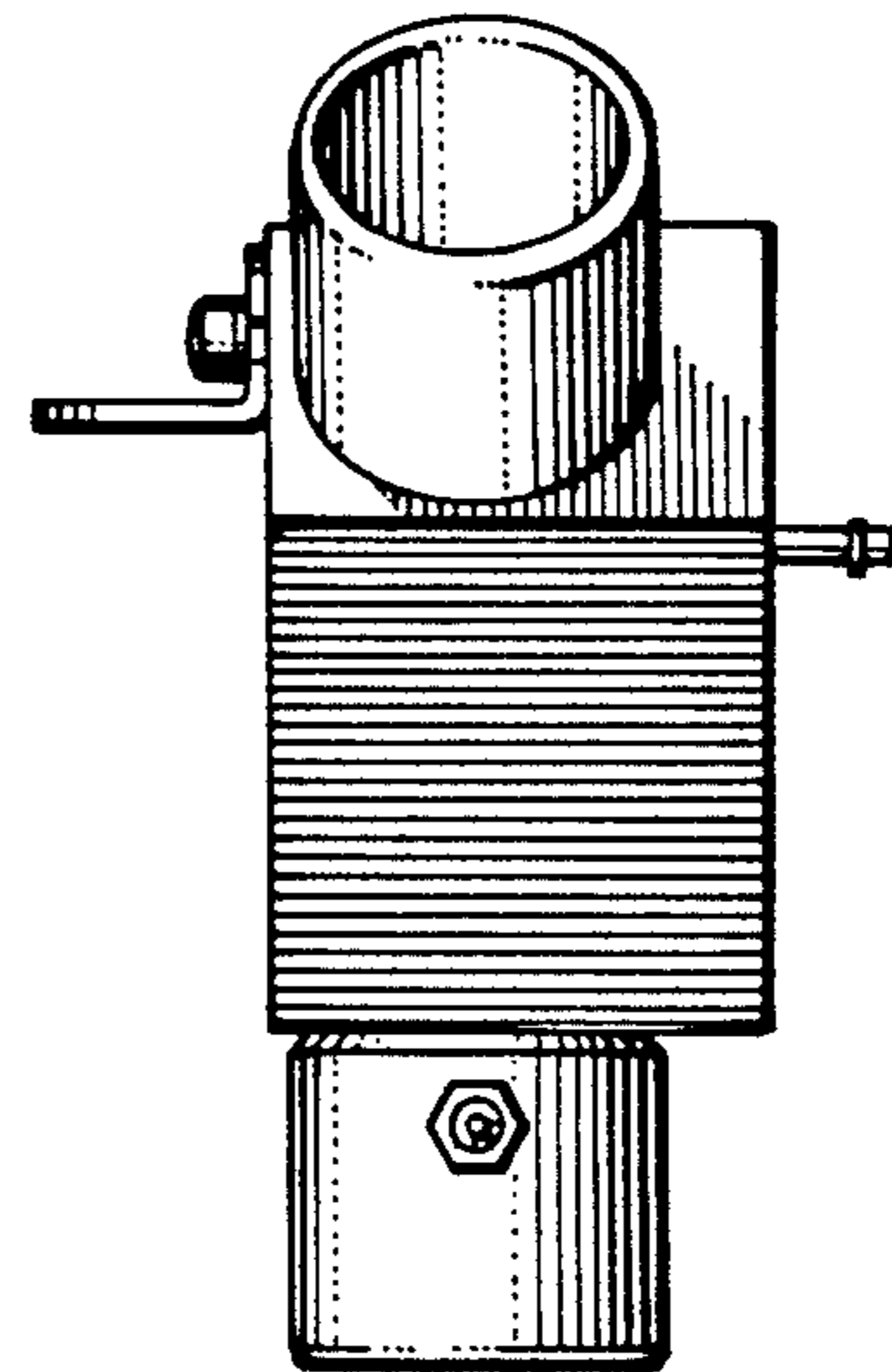
*Fig. 1.*



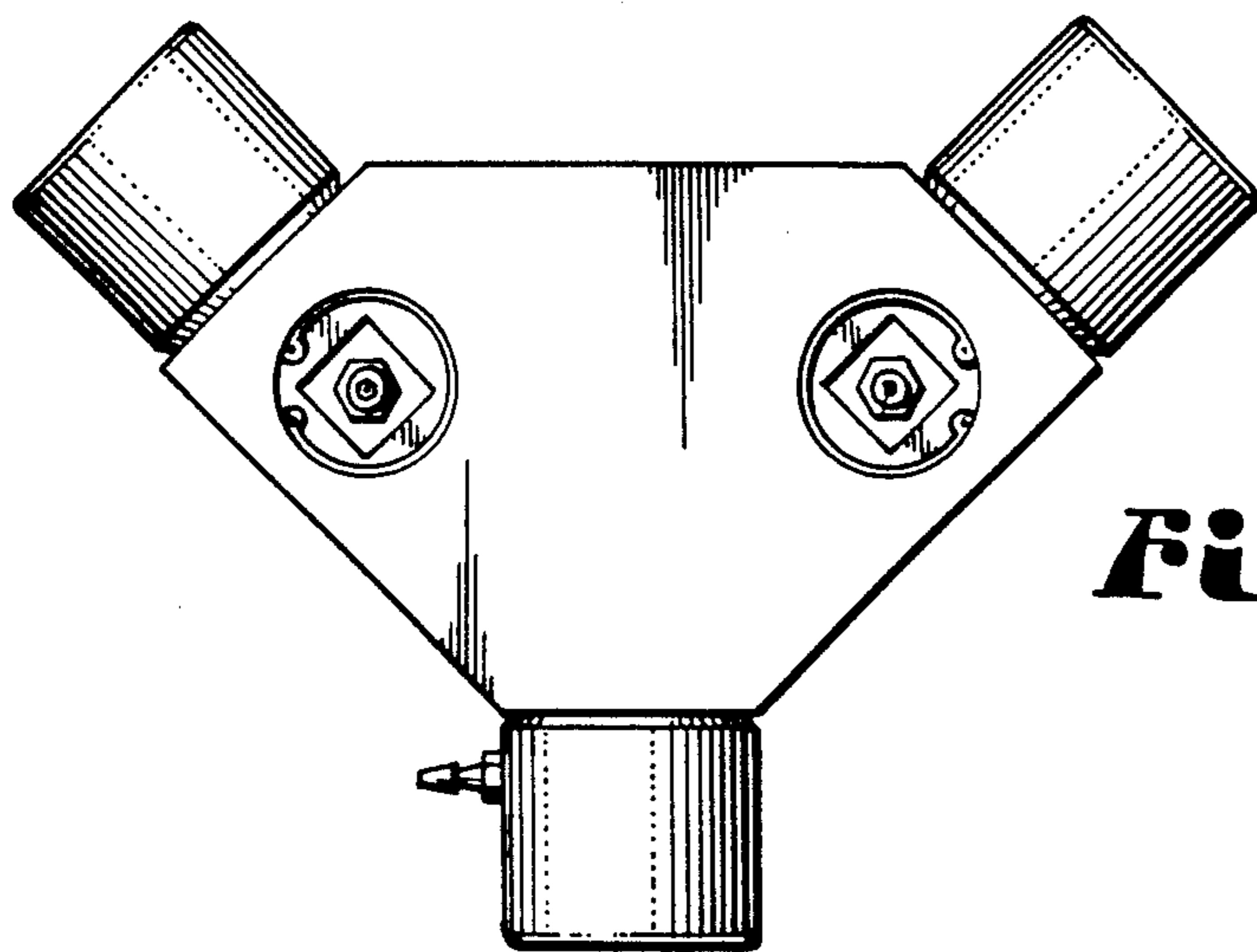
*Fig. 2.*



*Fig. 3.*

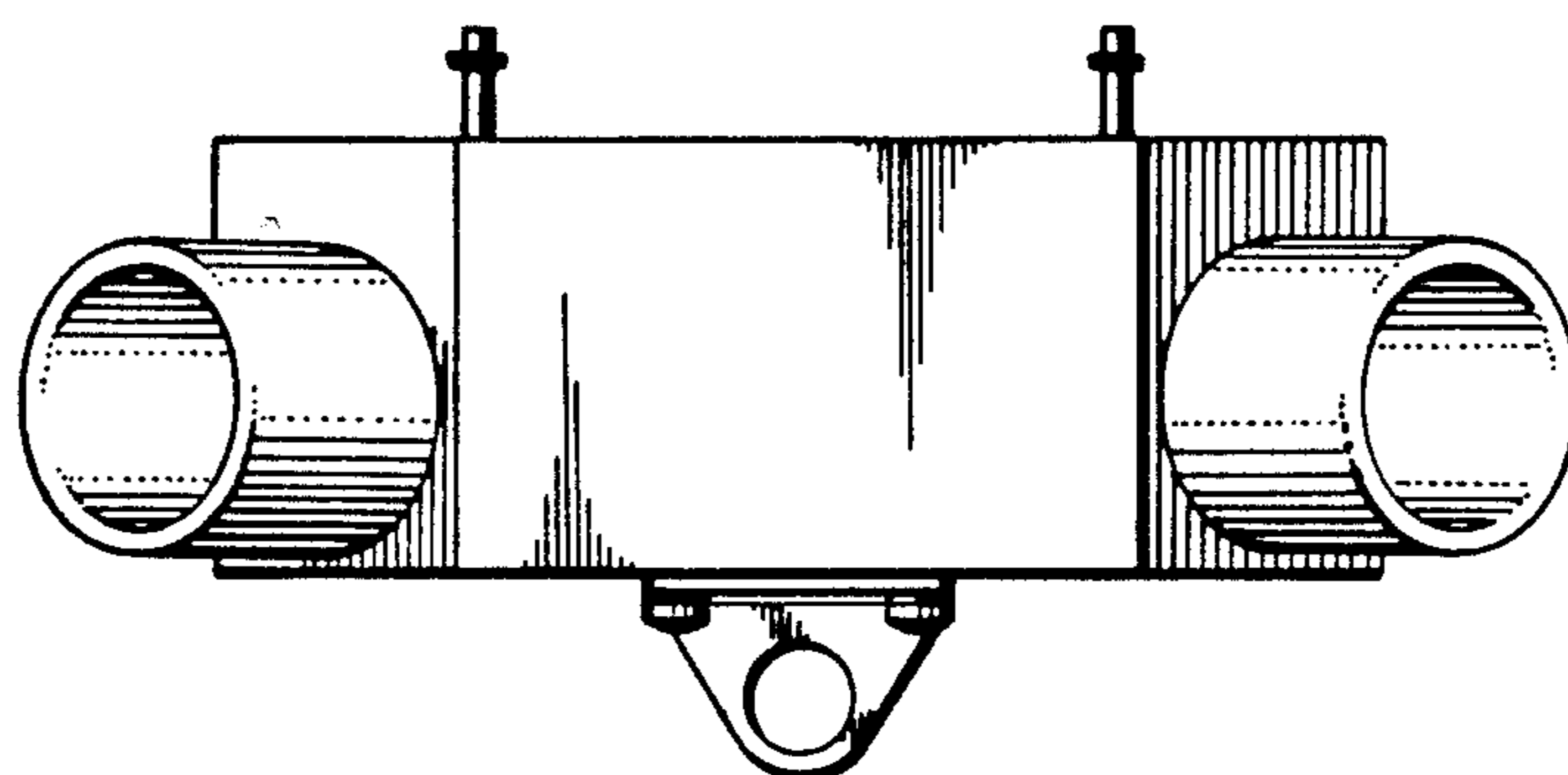


*Fig. 4.*



*Fig. 5.*

*Fig. 6.*



*Fig. 7.*

