

United States Patent [19]

Hammer

[11] Patent Number: **Des. 303,577**

[45] Date of Patent: **** Sep. 19, 1989**

[54] **EXTERNAL FIXATION DEVICE**

[76] Inventor: **Richard Hammer**, Stentorpsvägen
18, S-582 69 Linköping, Sweden

[**] Term: **14 Years**

[21] Appl. No.: **917,818**

[22] Filed: **Oct. 10, 1986**

[30] **Foreign Application Priority Data**

Apr. 14, 1986 [SE] Sweden 86-0894

[52] U.S. Cl. **D24/64**; 128/92 Z

[58] Field of Search D24/64; 128/92 Z, 92 ZK,
128/92 ZZ, 92 ZW, 92 ZY

[56] **References Cited**

U.S. PATENT DOCUMENTS

D. 281,905 12/1985 Nielson D24/64
2,238,870 4/1941 Haynes 128/92 Z
2,346,346 4/1944 Anderson 128/92 Z
4,135,505 1/1979 Day 128/92 Z

4,273,116 6/1981 Chiquet 128/92 Z
4,600,000 7/1986 Edwards 128/92 Z
4,628,922 12/1986 Dewar 128/92 ZW
4,696,293 9/1987 Jerome 128/92 ZK

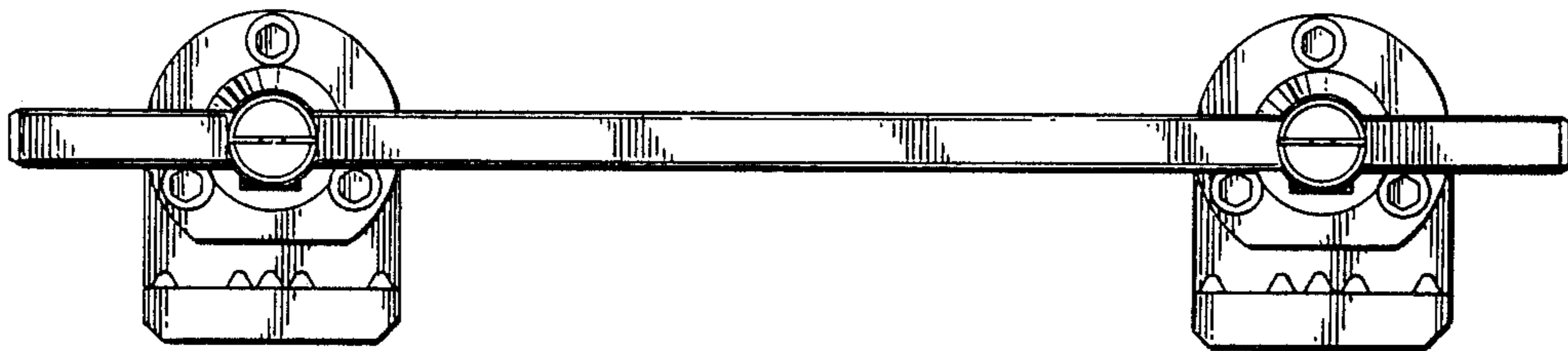
Primary Examiner—Nelson C. Holtje
Attorney, Agent, or Firm—A. W. Breiner

[57] **CLAIM**

The ornamental design for external fixation device, as shown.

DESCRIPTION

FIG. 1 is a front elevational view of an external fixation device showing my new design;
FIG. 2 is a top plan view thereof;
FIG. 3 is a rear elevational view thereof;
FIG. 4 is a bottom plan view thereof;
FIG. 5 is a right side elevational view thereof;
FIG. 6 is a left side elevational view thereof;
FIG. 7 is an enlarged left front perspective view of one of the clamping devices, the bar and other clamp having been omitted for ease of illustration.



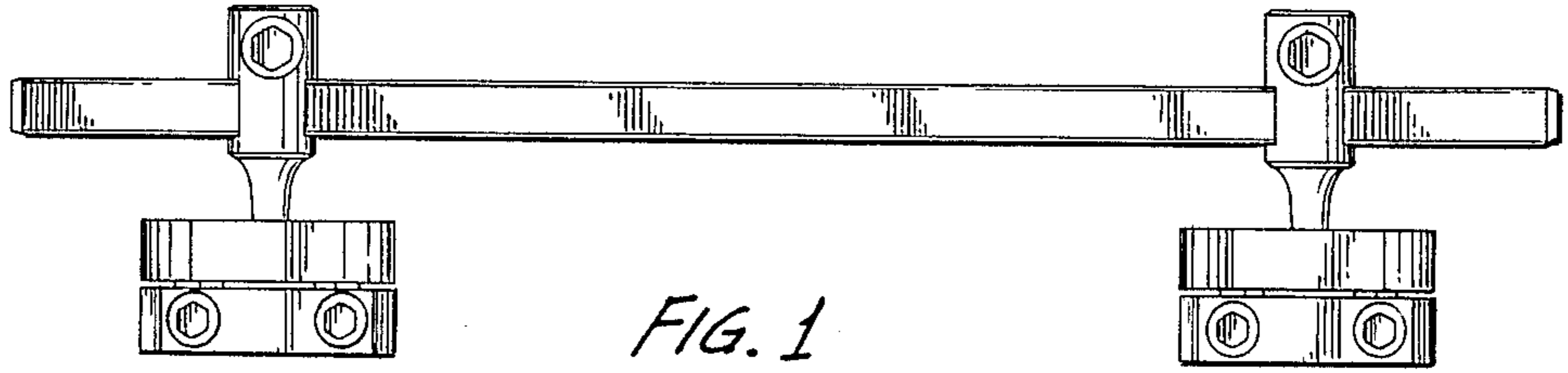


FIG. 1

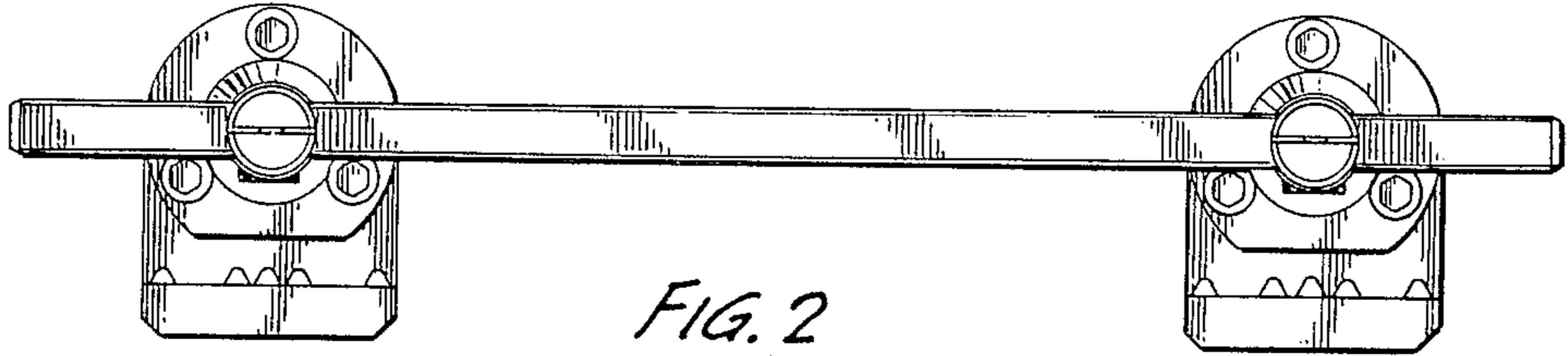


FIG. 2

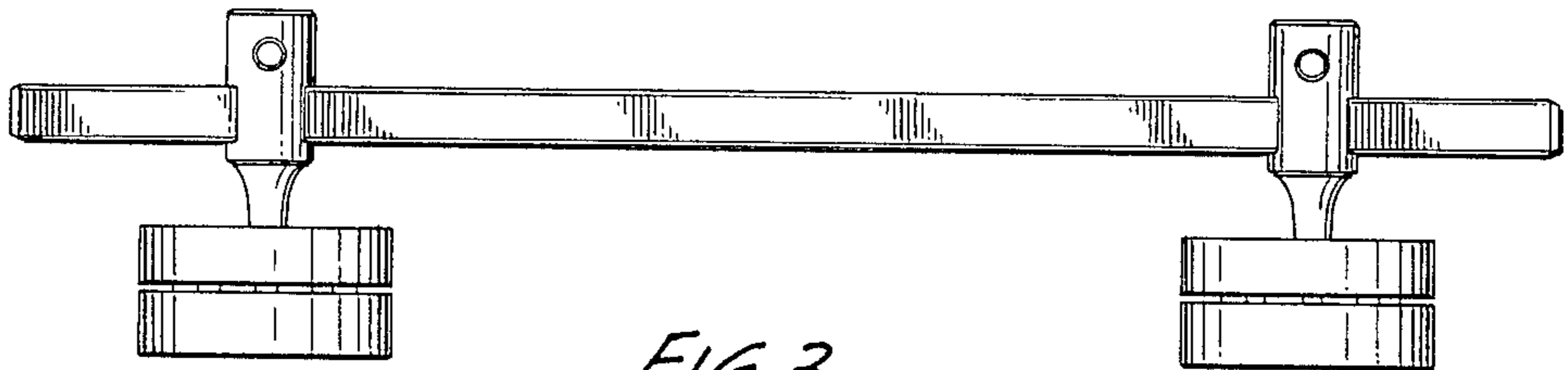


FIG. 3

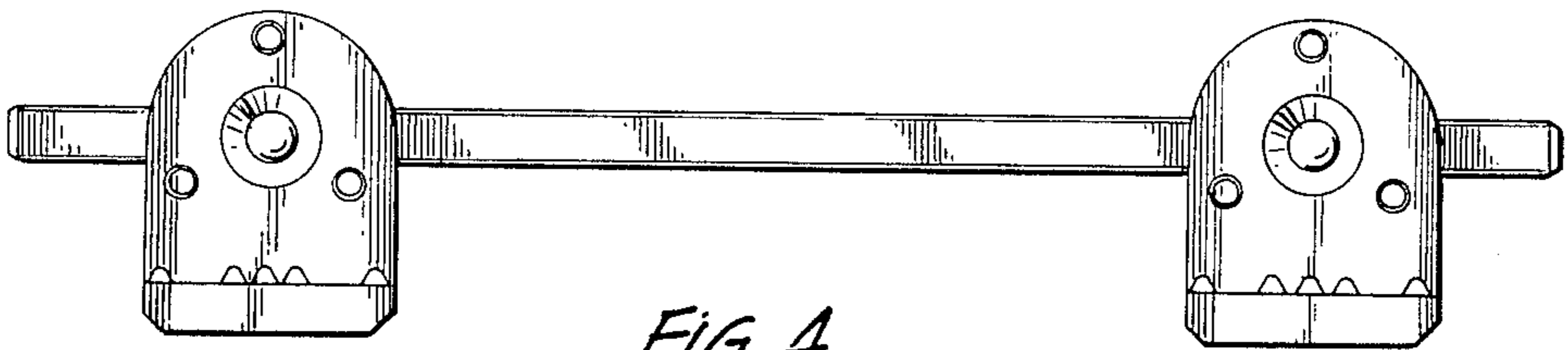


FIG. 4

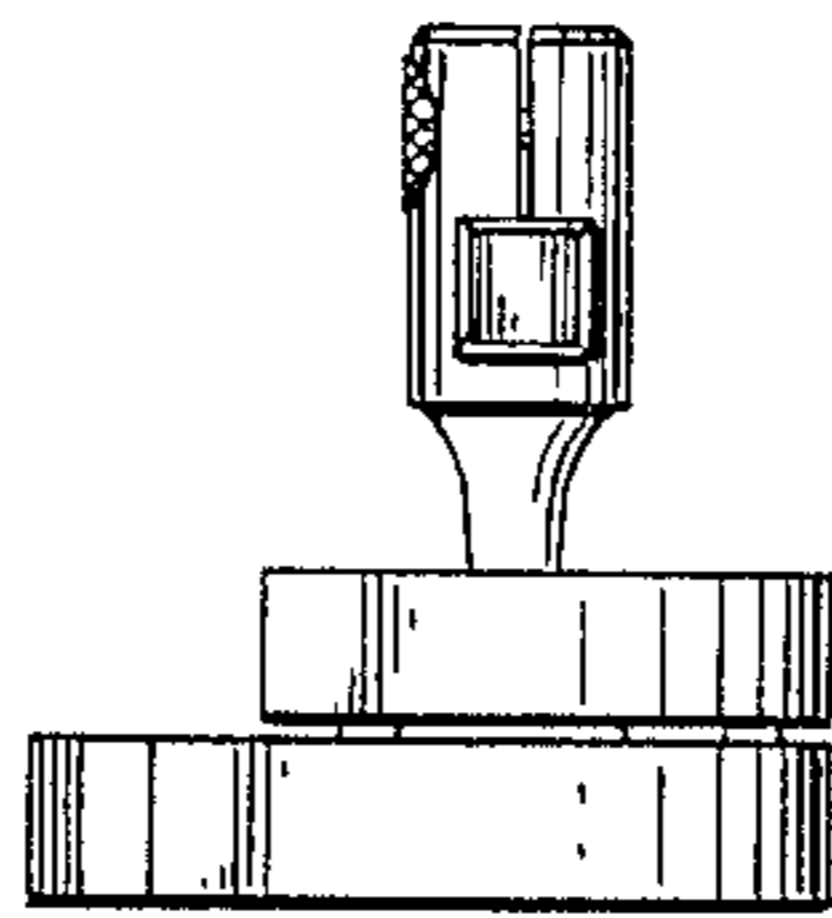


FIG. 5

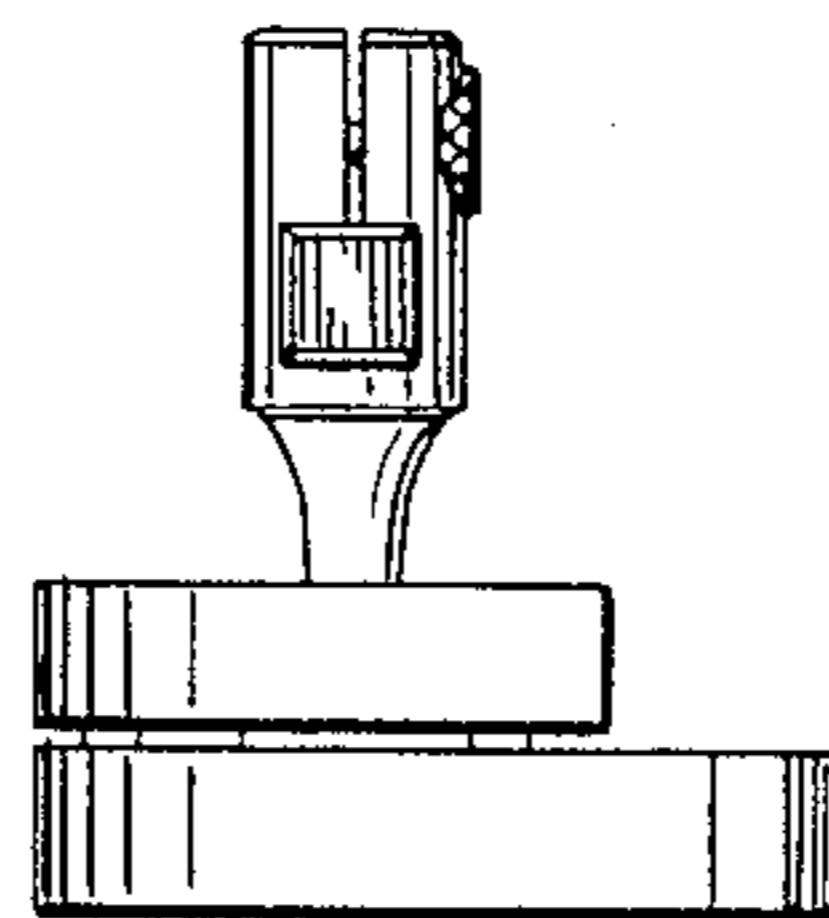


FIG. 6

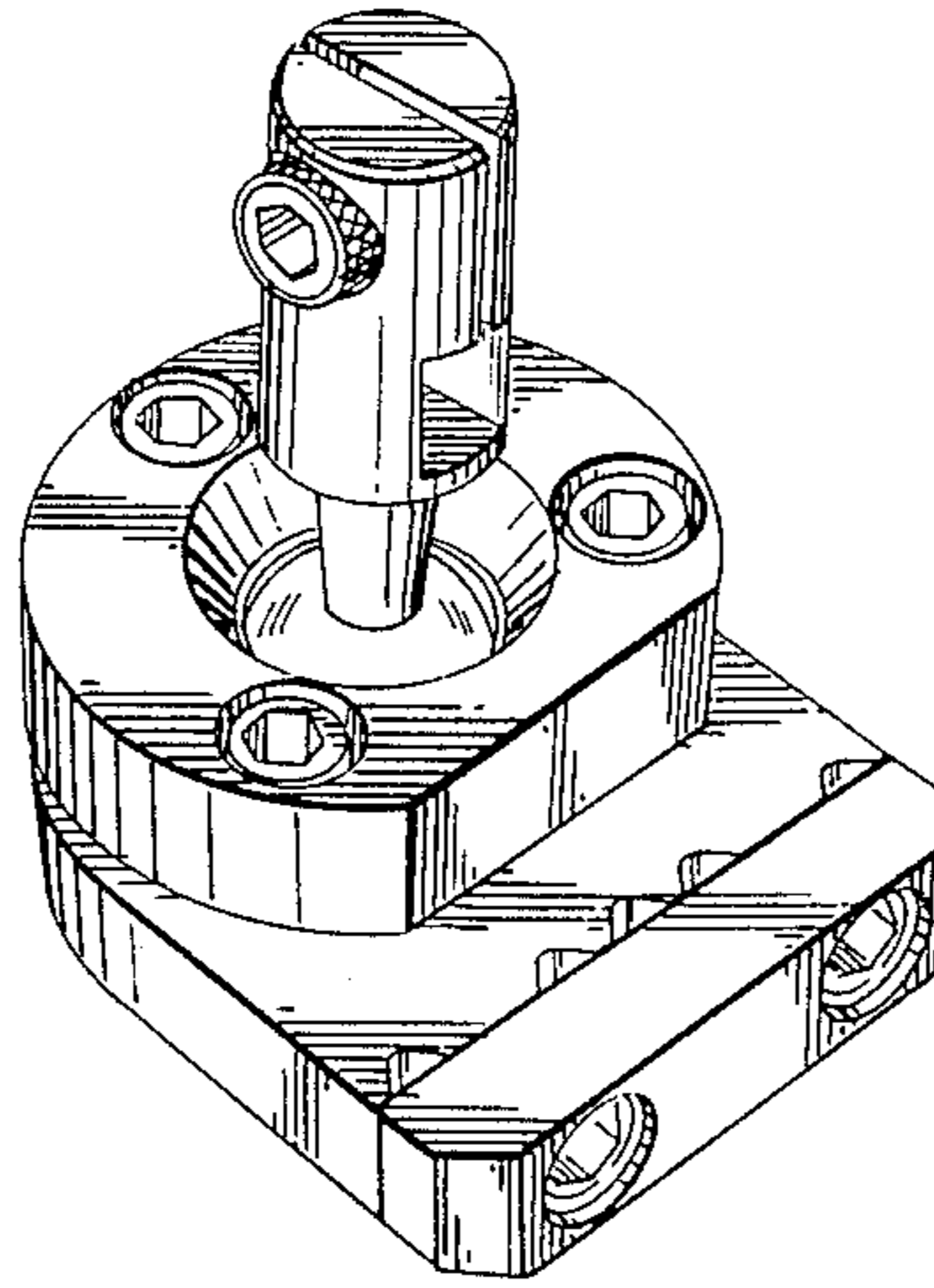


FIG. 7