

United States Patent [19]
Åkerfeldt

[11] **Patent Number: Des. 303,571**

[45] **Date of Patent: ** Sep. 19, 1989**

[54] **TISSUE SAMPLER**

[75] **Inventor: Dan Åkerfeldt, Uppsala, Sweden**

[73] **Assignee: C. R. Bard, Inc., Murray Hill, N.J.**

[**] **Term: 14 Years**

[21] **Appl. No.: 28,321**

[22] **Filed: Mar. 20, 1987**

[52] **U.S. Cl. D24/28; D24/26**

[58] **Field of Search D24/28, 26, 24, 25;
128/754, 755, 751**

[56] **References Cited**

U.S. PATENT DOCUMENTS

D. 264,378 5/1982 Thomas et al. D24/28
4,476,864 10/1984 Tezel 128/755
4,570,632 2/1986 Woods 128/751
4,600,014 7/1986 Beraha 128/754

4,651,753 3/1987 Lifton 128/751
4,699,154 10/1987 Lindgren 128/754

FOREIGN PATENT DOCUMENTS

0010321 4/1980 European Pat. Off. 128/754
0141108 4/1980 Fed. Rep. of Germany 128/754
175611 3/1966 U.S.S.R. 128/754

Primary Examiner—Wallace R. Burke

Assistant Examiner—Stella M. Reid

Attorney, Agent, or Firm—Jones, Askew & Lunsford

[57] **CLAIM**

The ornamental design for a tissue sampler, as shown.

DESCRIPTION

FIG. 1 is a side perspective view of the tissue sampler showing our new design, and FIG. 2 is a side perspective view thereof, opposite that shown in FIG. 1.

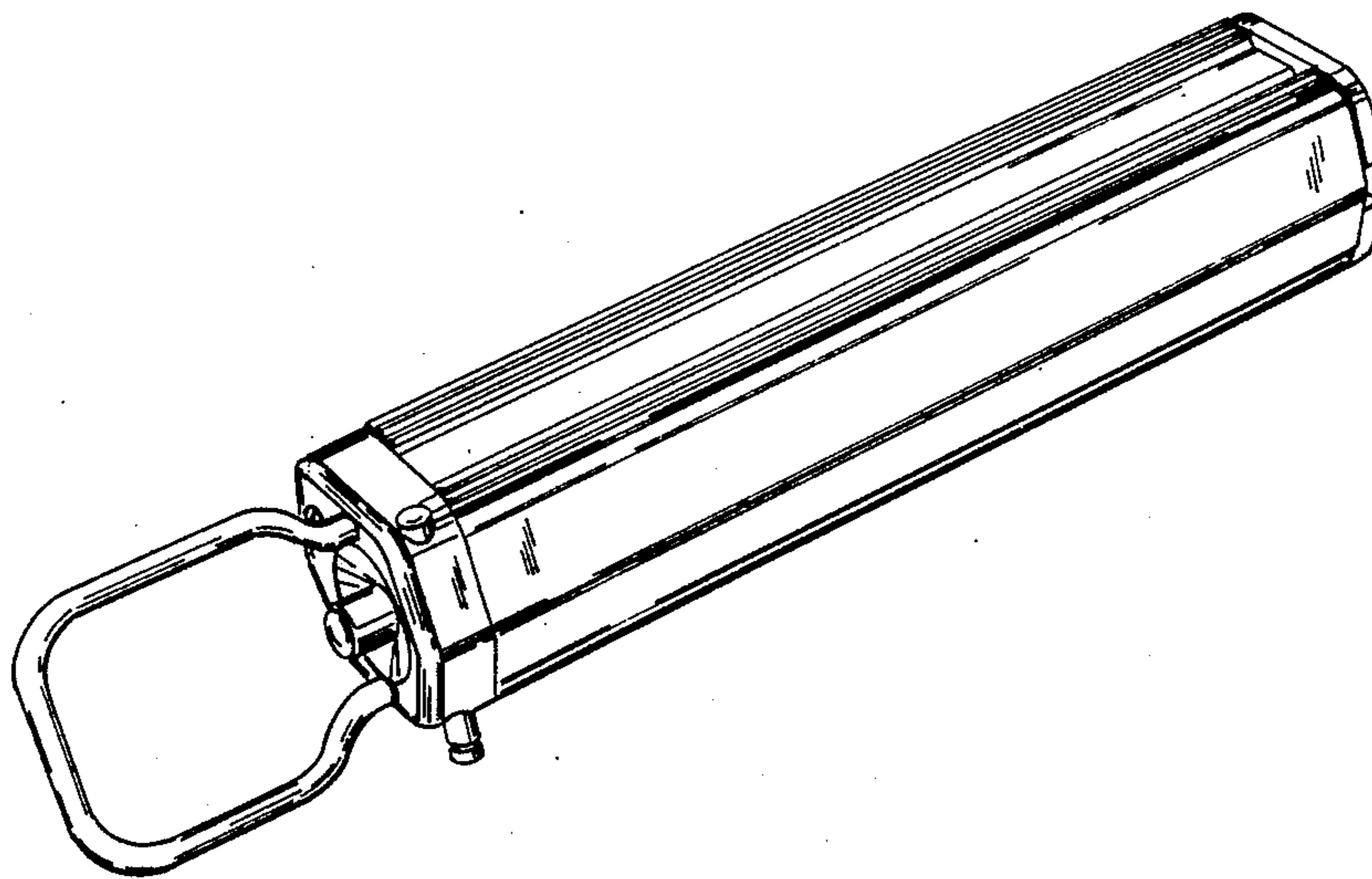


Fig. 1

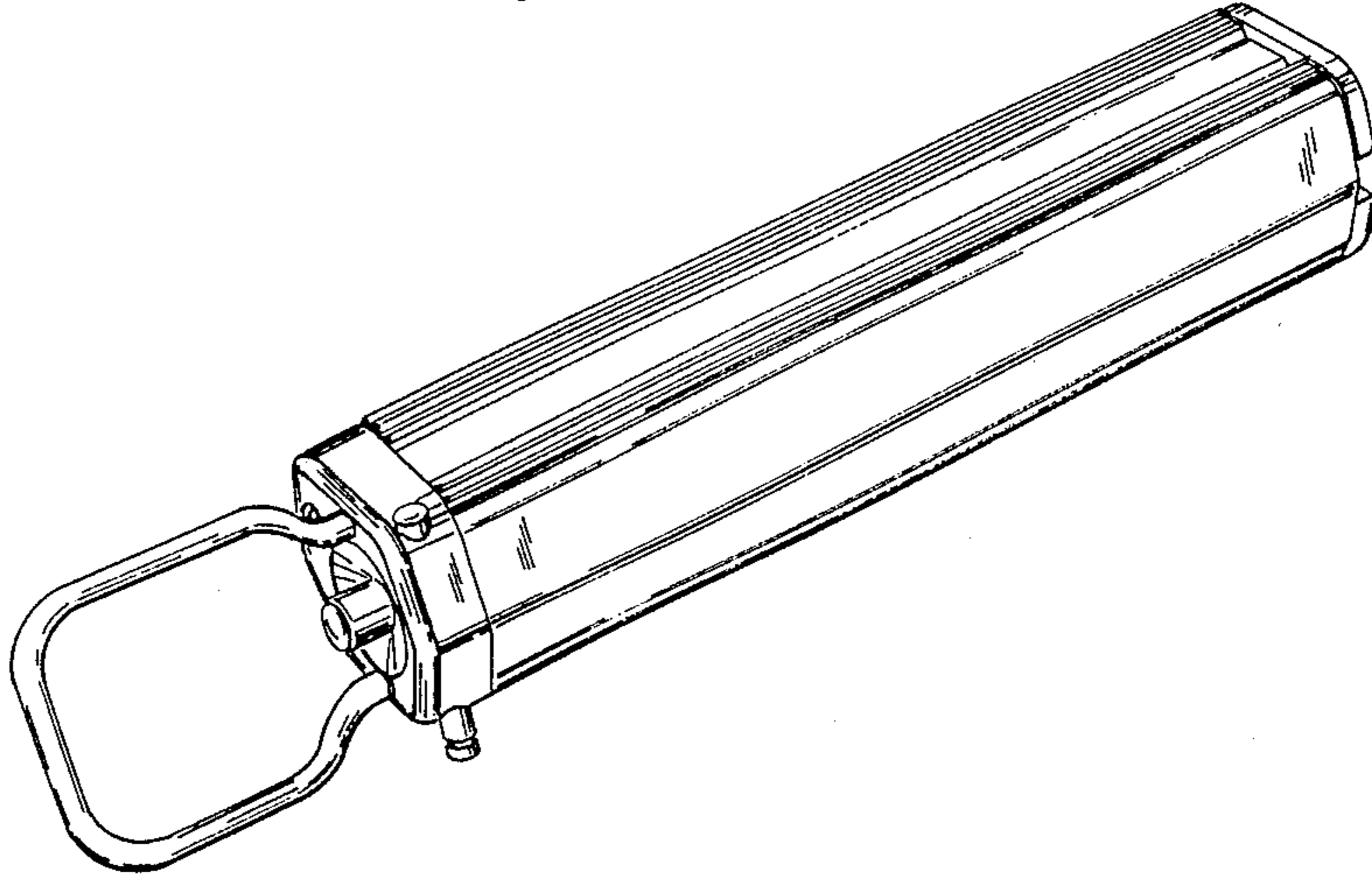
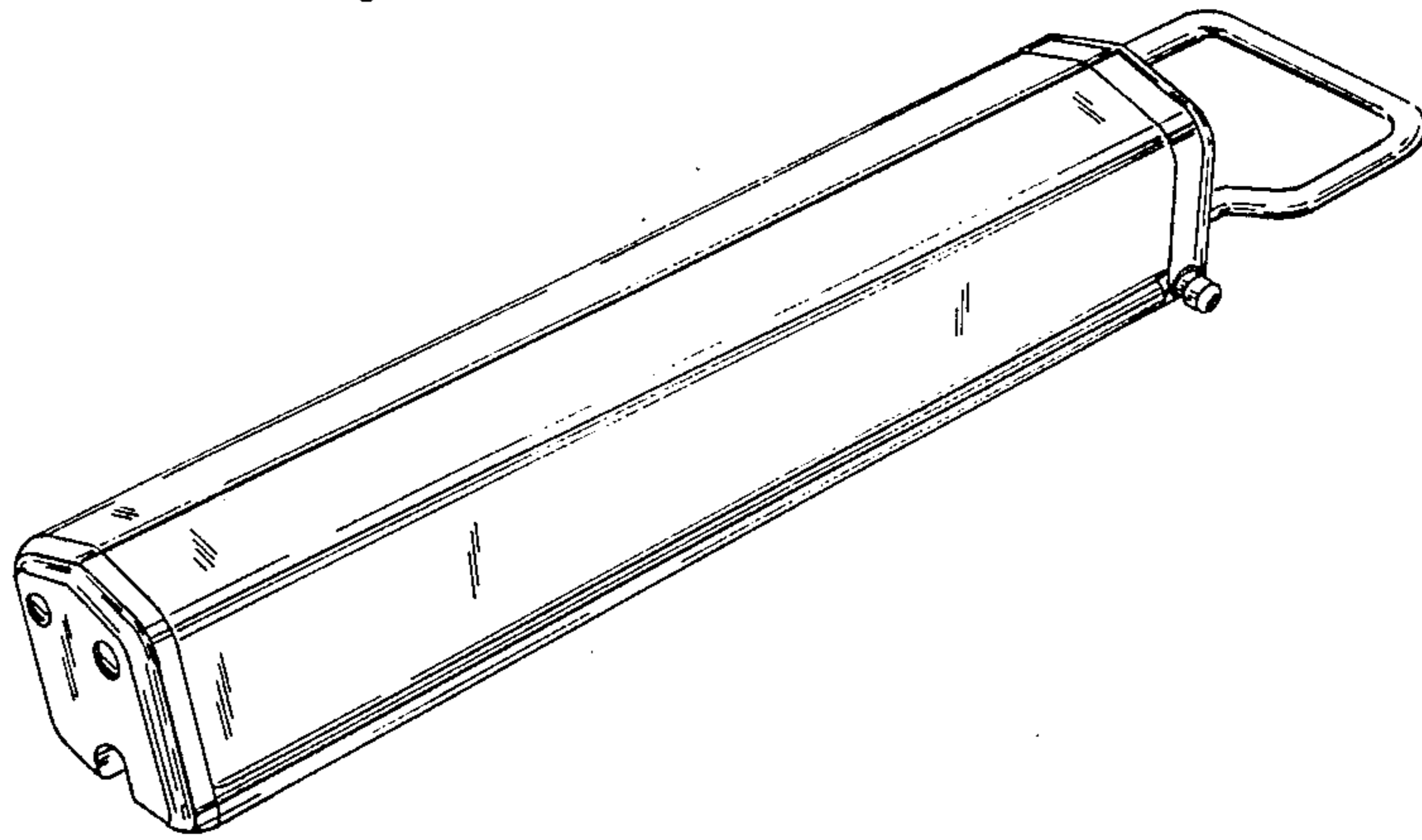


Fig. 2



Disclaimer

Des. 303,571.—*Dan Akerfeldt*, Uppsala, Sweden. TISSUE SAMPLER. Patent dated Sept. 19, 1990.
Disclaimer filed July 27, 1990, by the assignee, C.R. Bard, Inc.

Hereby enters this disclaimer to the claim of said patent.
[*Official Gazette October 9, 1990*]