

[54] **CENTRIFUGE**

[75] **Inventor: Gunter Eberle, Tuttlingen, Fed. Rep. of Germany**

[73] **Assignee: Andreas Hettich, Tuttlingen, Fed. Rep. of Germany**

[**] **Term: 14 Years**

[21] **Appl. No.: 100,436**

[22] **Filed: Sep. 24, 1987**

[52] **U.S. Cl. D24/22**

[58] **Field of Search D24/22; 494/9, 10, 12, 494/16, 20, 60; 422/72, 64**

[56] **References Cited**

U.S. PATENT DOCUMENTS

D. 290,653	6/1987	Eberle	D24/22
D. 290,749	7/1987	Eberle	D24/22
D. 297,569	9/1988	Eberle	D24/22
3,906,890	9/1975	Amos et al.	422/72 X
3,970,245	7/1976	Aeschlimann	494/11 X
4,236,666	12/1980	Aeschlimann et al.	422/72 X

Primary Examiner—Wallace R. Burke
Assistant Examiner—Stella M. Reid
Attorney, Agent, or Firm—Rosenblum, Parish & Bacigalupi

[57] **CLAIM**

The ornamental design for a centrifuge, as shown and described.

DESCRIPTION

FIG. 1 is a perspective view of a centrifuge, showing my new design;
FIG. 2 is a front elevational view of the centrifuge shown in FIG. 1.
FIG. 3 is a top plan view of the centrifuge shown in FIG. 1
FIG. 4 is a side elevational view of the centrifuge shown in FIG. 1
FIG. 5 is a bottom plan view of the centrifuge shown in FIG. 1
FIG. 6 is a side elevational view of the centrifuge shown in FIG. 1
FIG. 7 is a rear elevational view of the centrifuge shown in FIG. 1

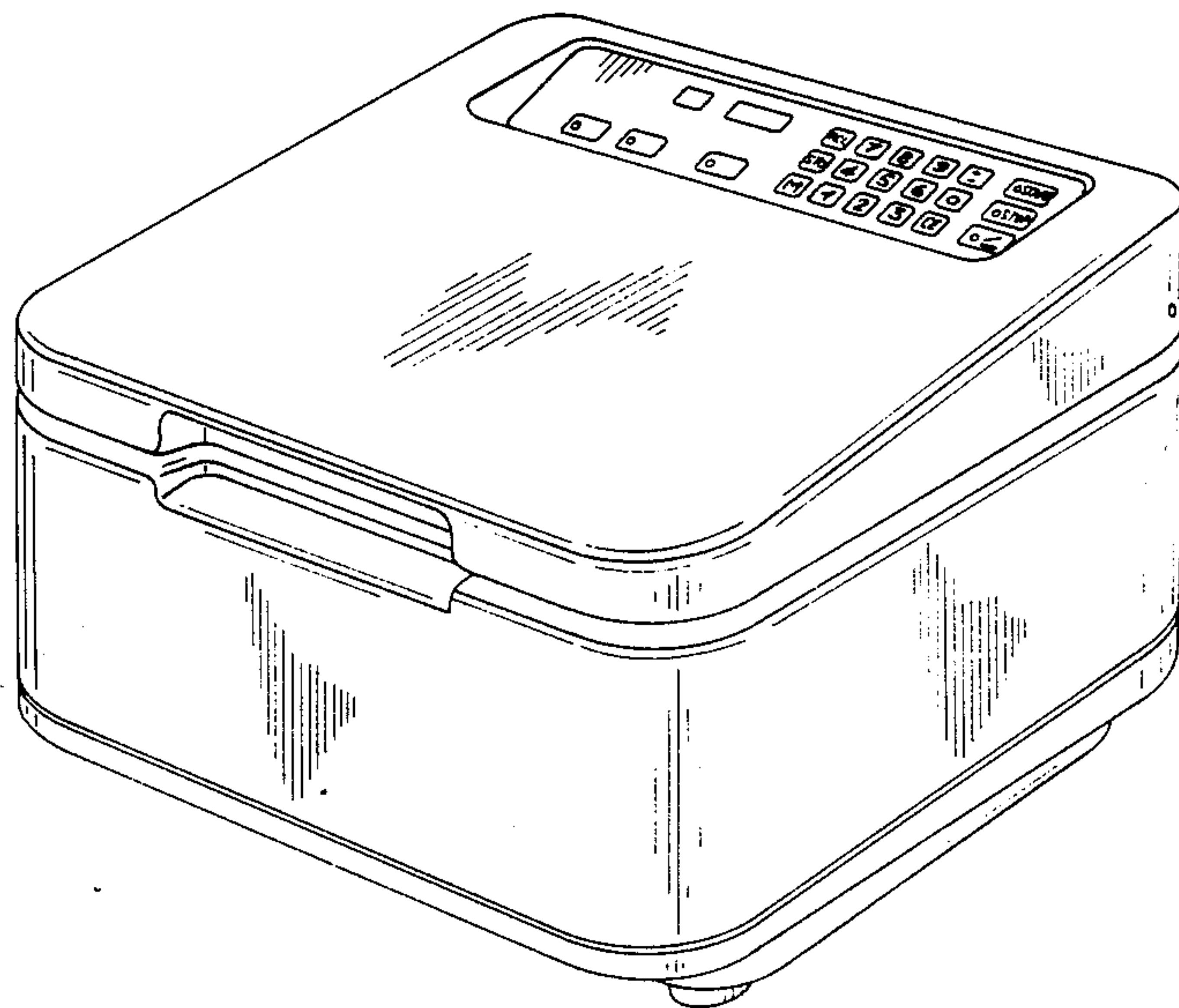


Fig. 1

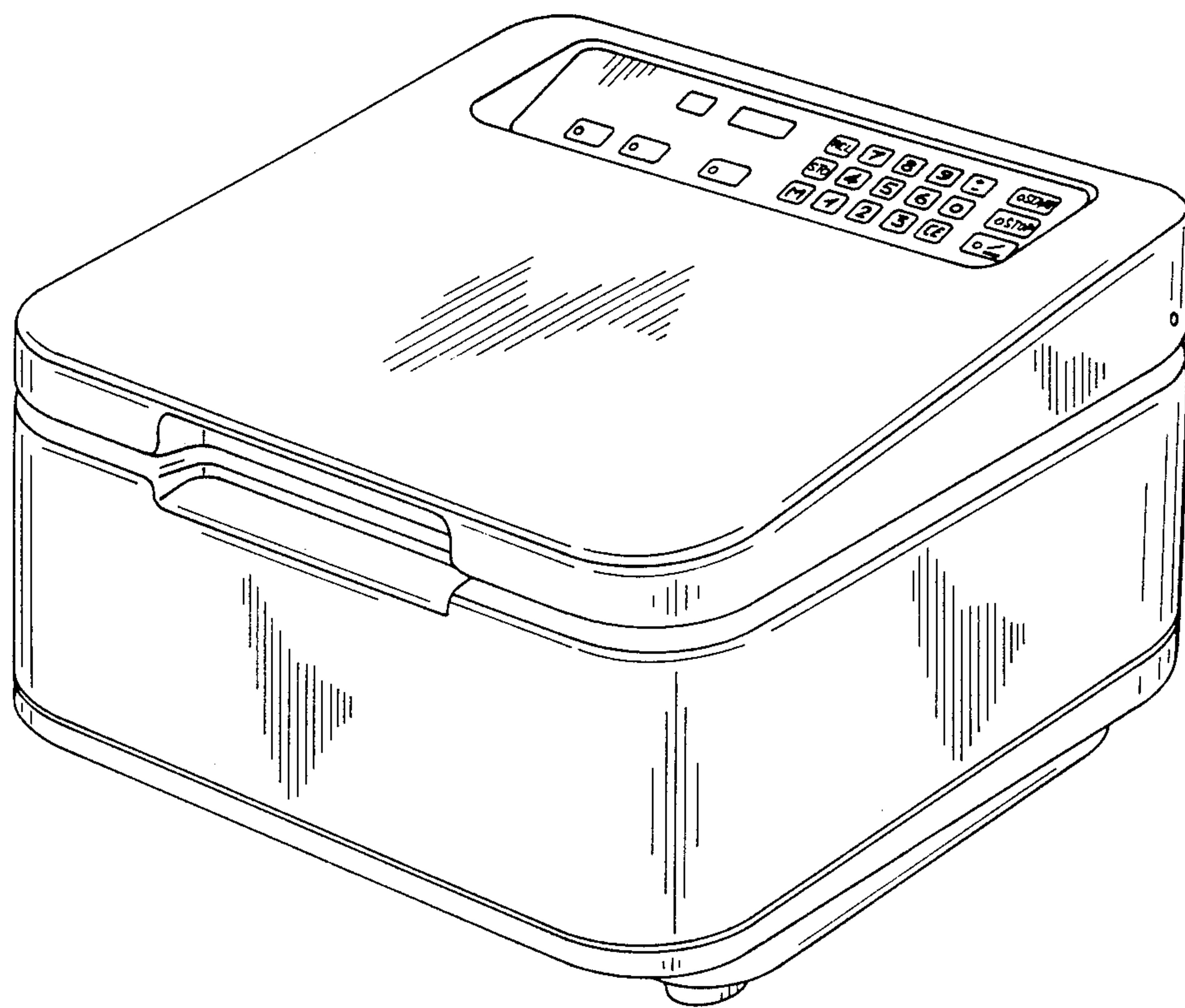
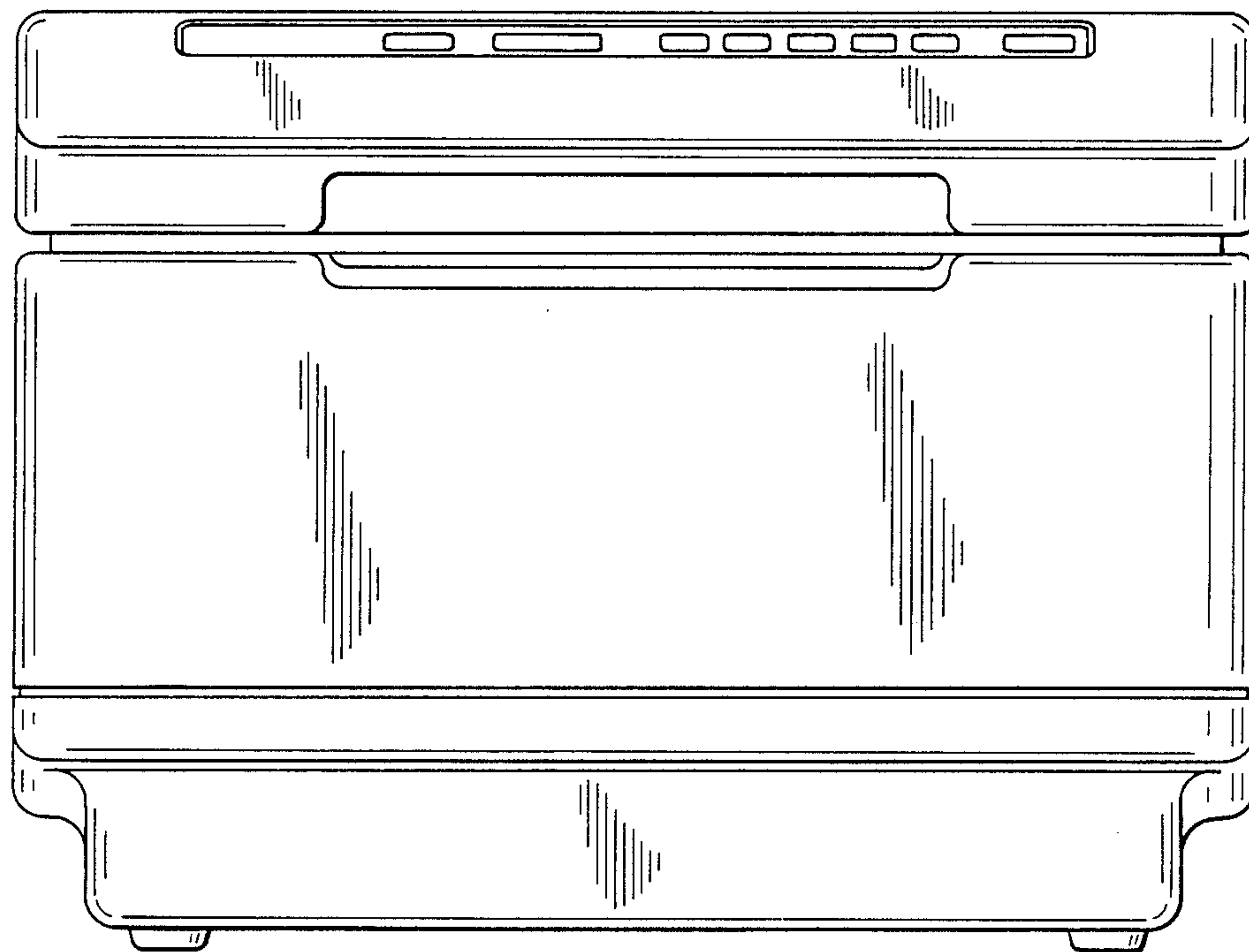


Fig. 2



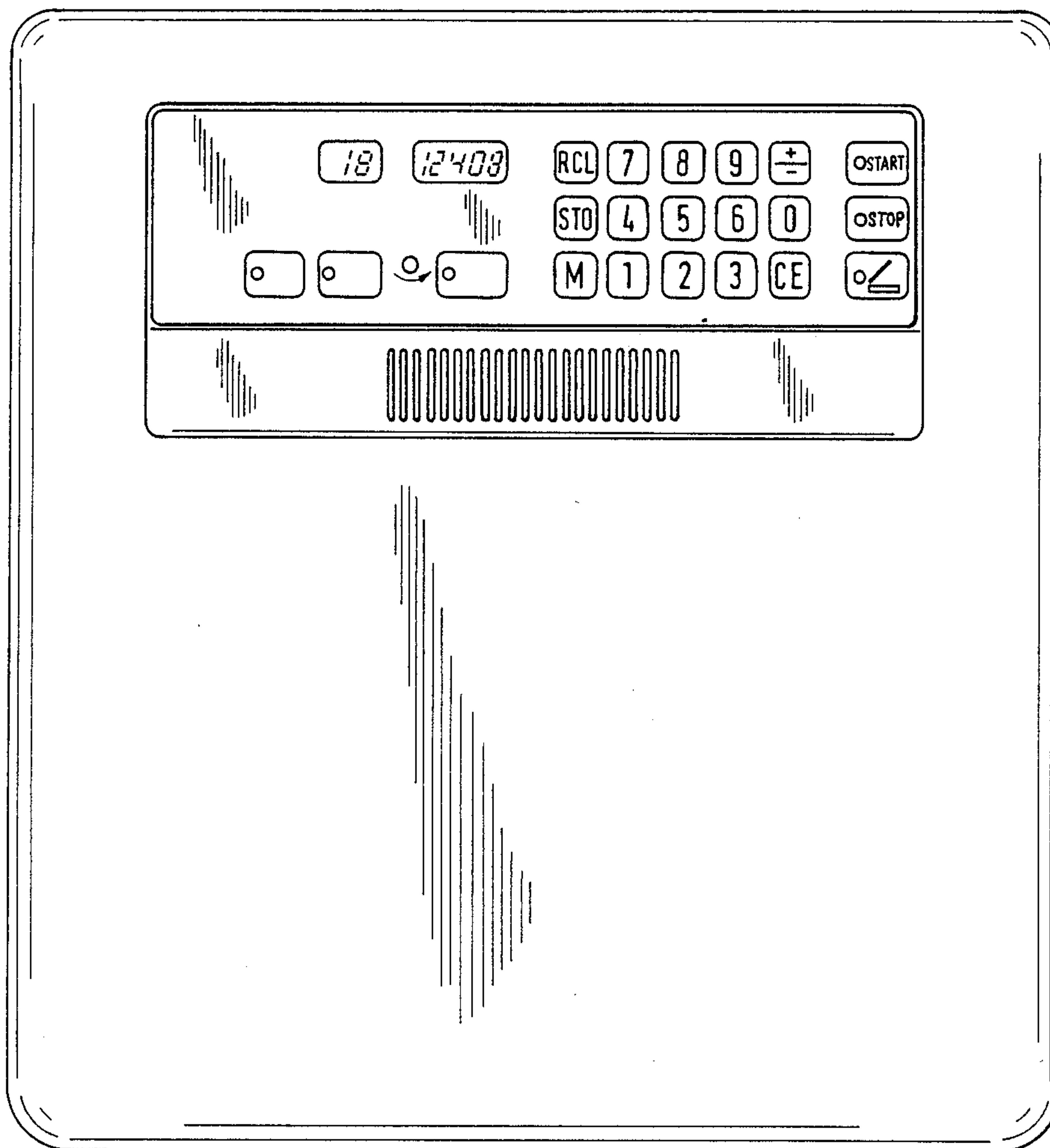


Fig. 3

Fig. 4

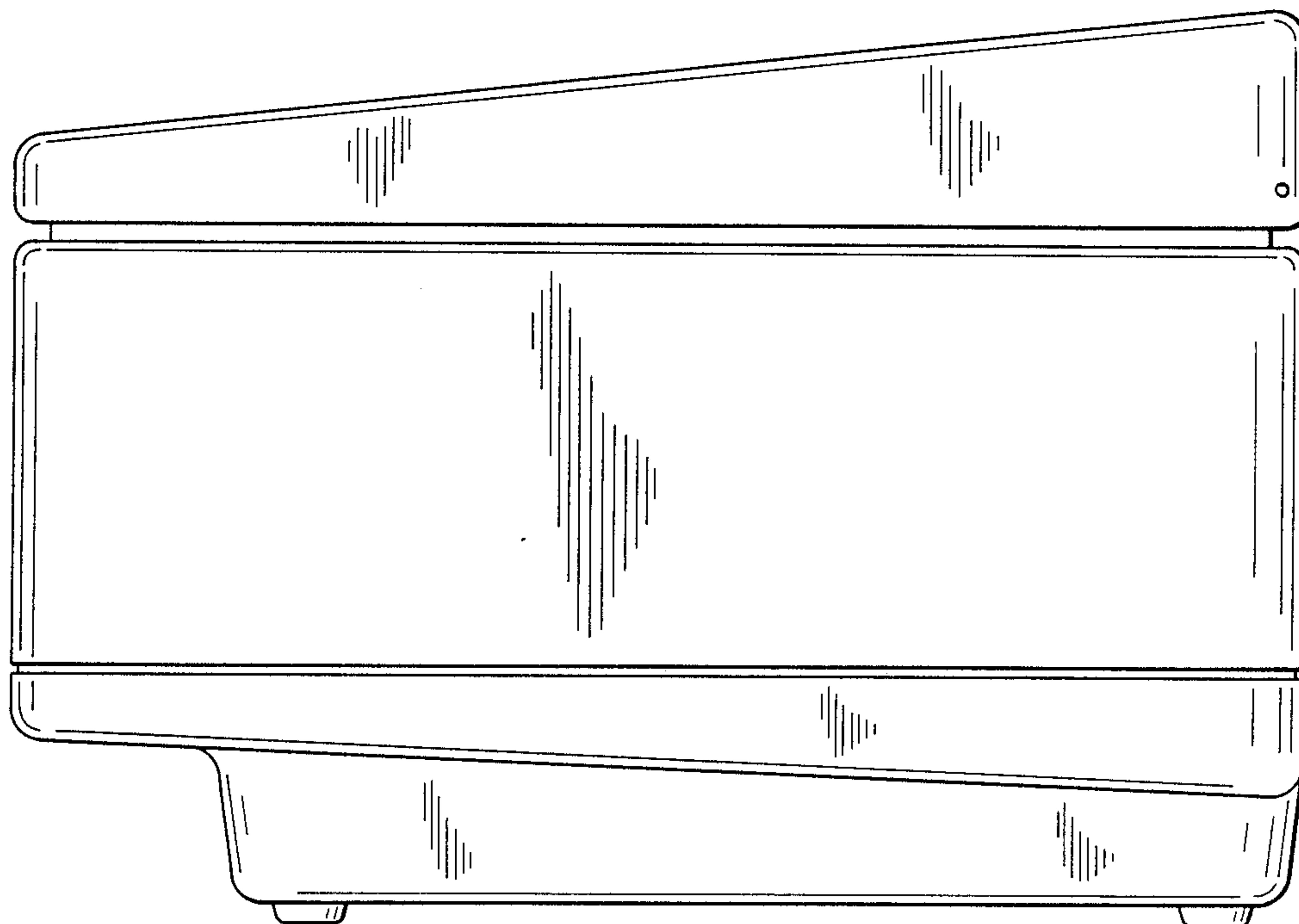


Fig. 5

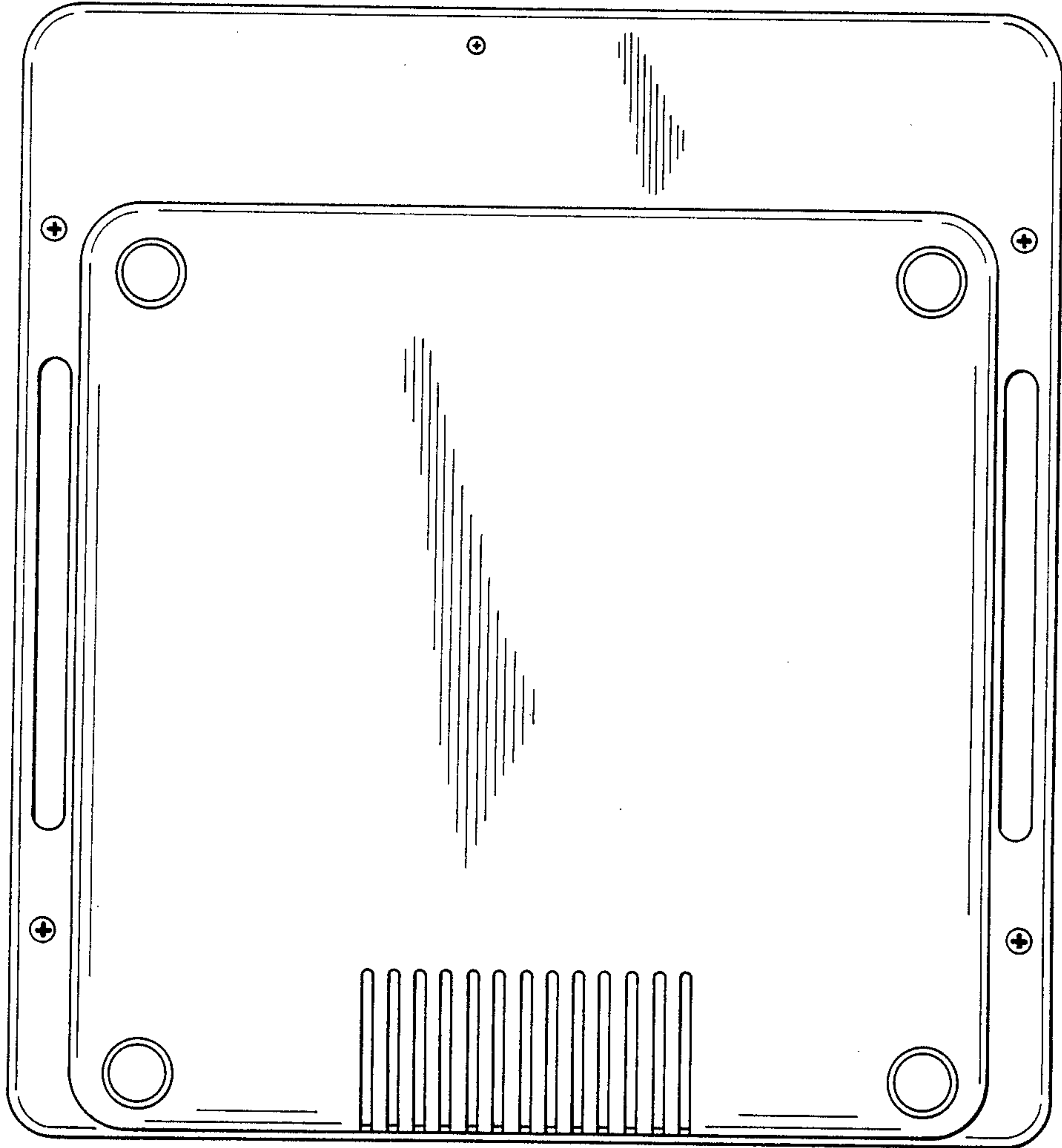


Fig. 6

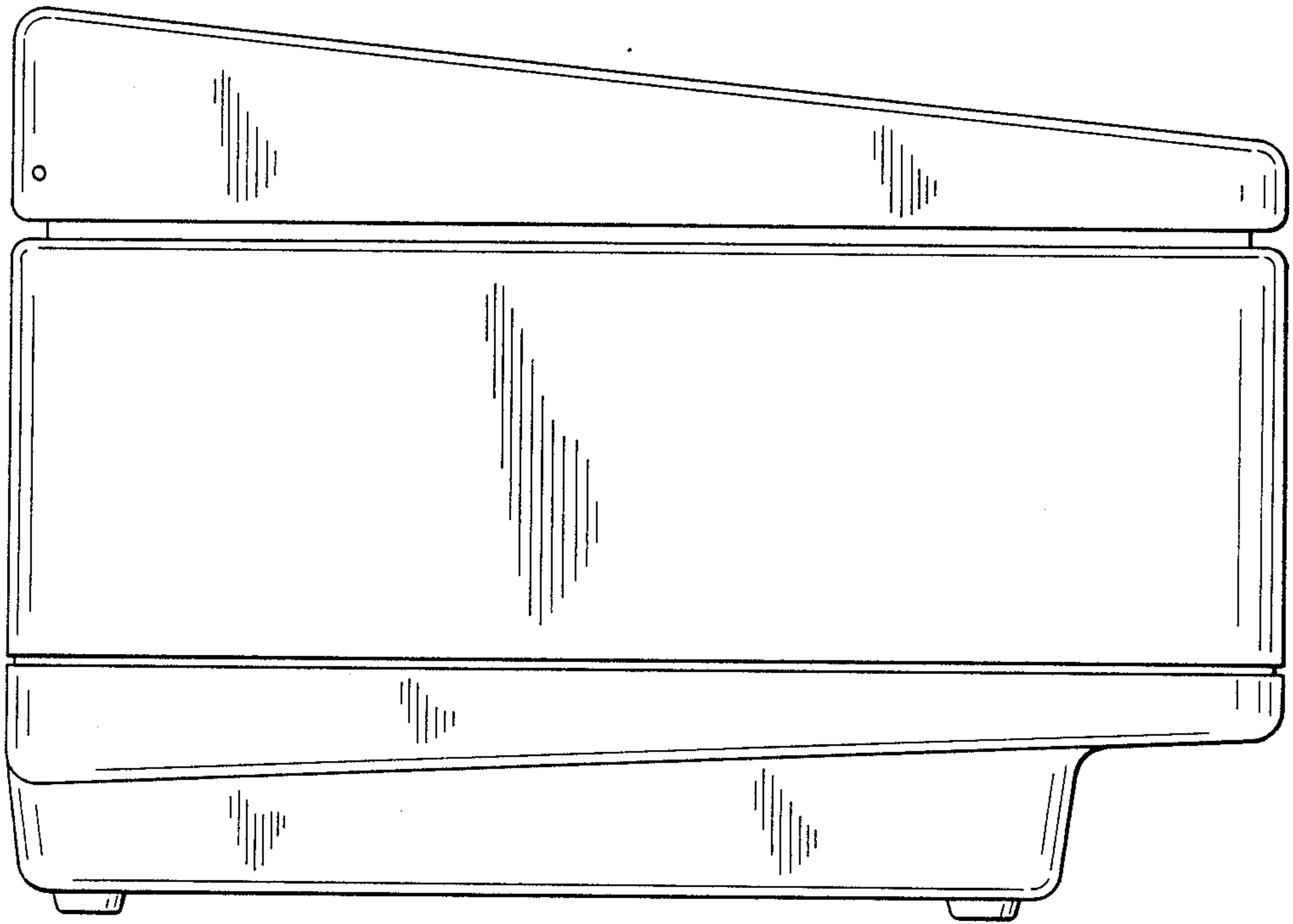


Fig. 7

