

United States Patent [19]
Gabridge

[11] **Patent Number: Des. 303,568**
[45] **Date of Patent: ** Sep. 19, 1989**

[54] **CULTURE VESSEL**
[75] **Inventor: Michael G. Gabridge, Saranac Lake, N.Y.**
[73] **Assignee: Bionique Laboratories, Inc., Saranac Lake, N.Y.**
[**] **Term: 14 Years**
[21] **Appl. No.: 1,554**
[22] **Filed: Jan. 8, 1987**
[52] **U.S. Cl. D24/8**
[58] **Field of Search D24/8, 56; 422/102; 435/284, 296, 299; D9/371, 372**

3,532,605 10/1970 Riera 195/139
3,589,983 6/1971 Holderith et al. 195/139
3,702,806 11/1972 Oliva 435/296 X
4,121,976 10/1978 Gleeson 195/104
4,308,347 12/1981 Forrer et al. 435/34

FOREIGN PATENT DOCUMENTS

0141104 5/1985 European Pat. Off. 435/296

Primary Examiner—Wallace R. Burke
Assistant Examiner—Stella M. Reid
Attorney, Agent, or Firm—Heslin & Rothenberg

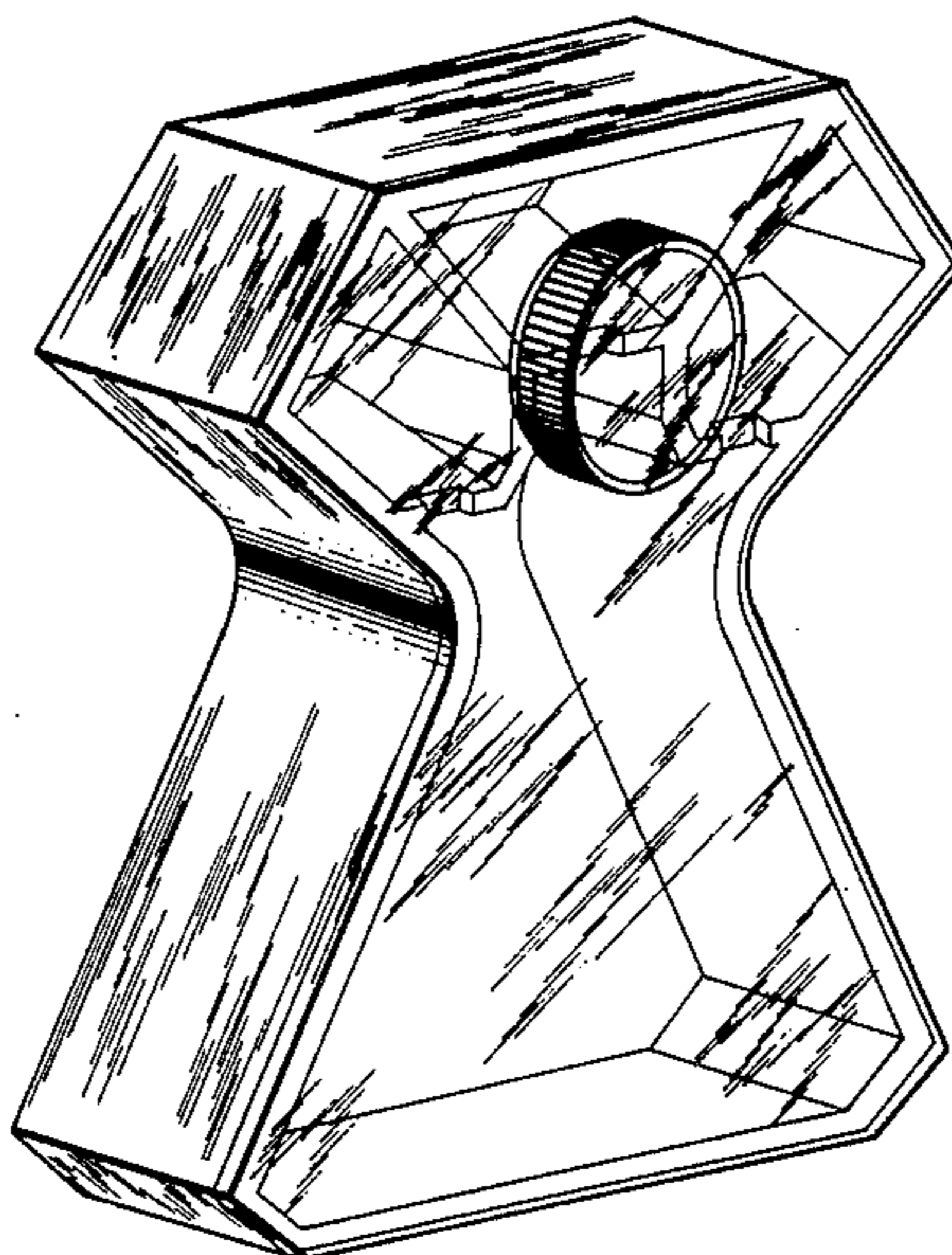
[57] **CLAIM**

The ornamental design for a culture vessel or similar article, as shown.

[56] **References Cited**
U.S. PATENT DOCUMENTS
D. 243,705 3/1977 Lyman D24/56 X
D. 264,127 4/1982 Peterson D24/56 X
D. 285,725 9/1986 Franchere D24/56
2,992,974 7/1961 Belcove et al. 195/139

DESCRIPTION

FIG. 1 is a perspective view of a culture vessel or similar article showing my new design; FIG. 2 is a front elevational view thereof; and FIG. 3 is a rear elevational view thereof.



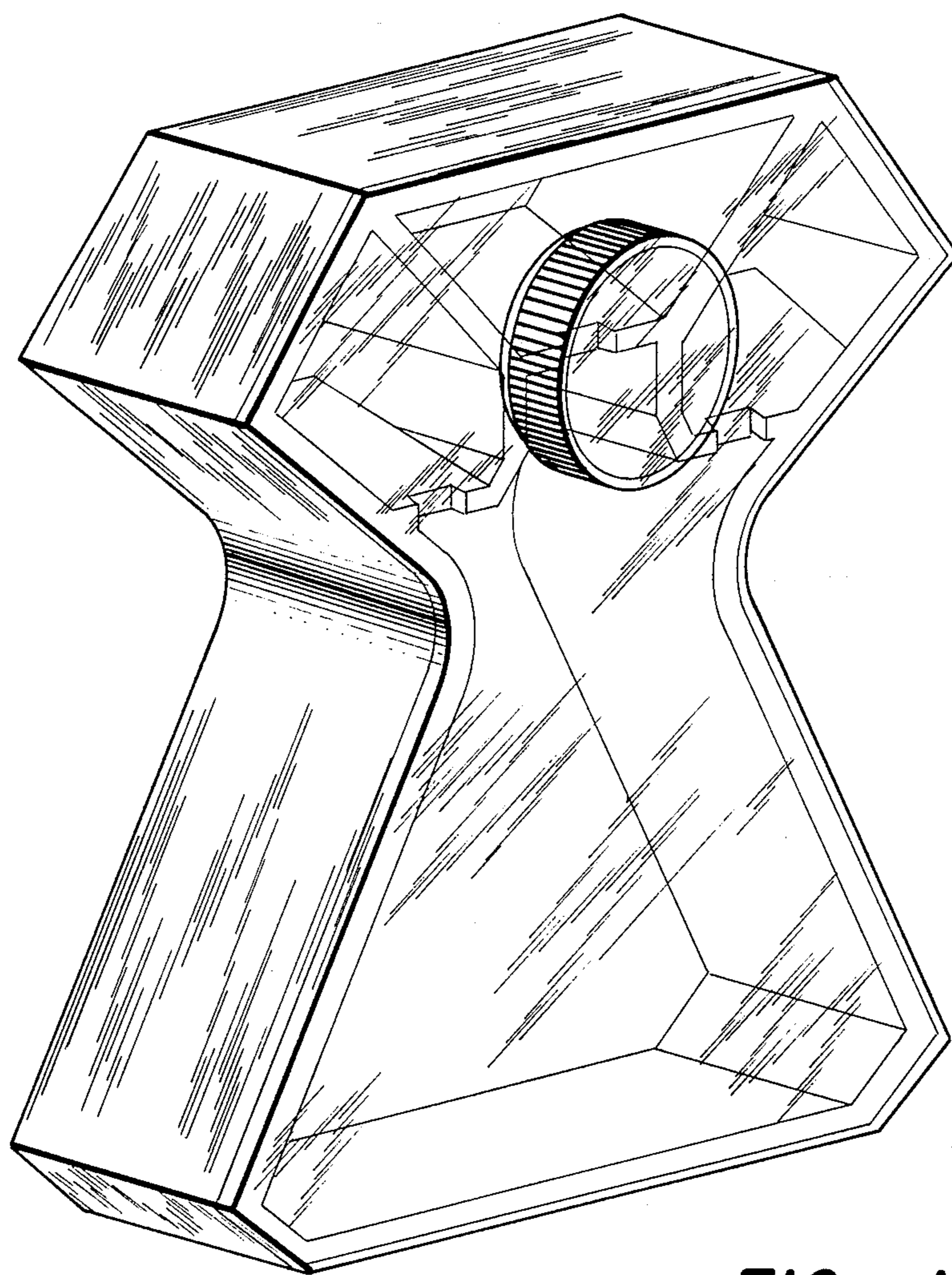


FIG. 1

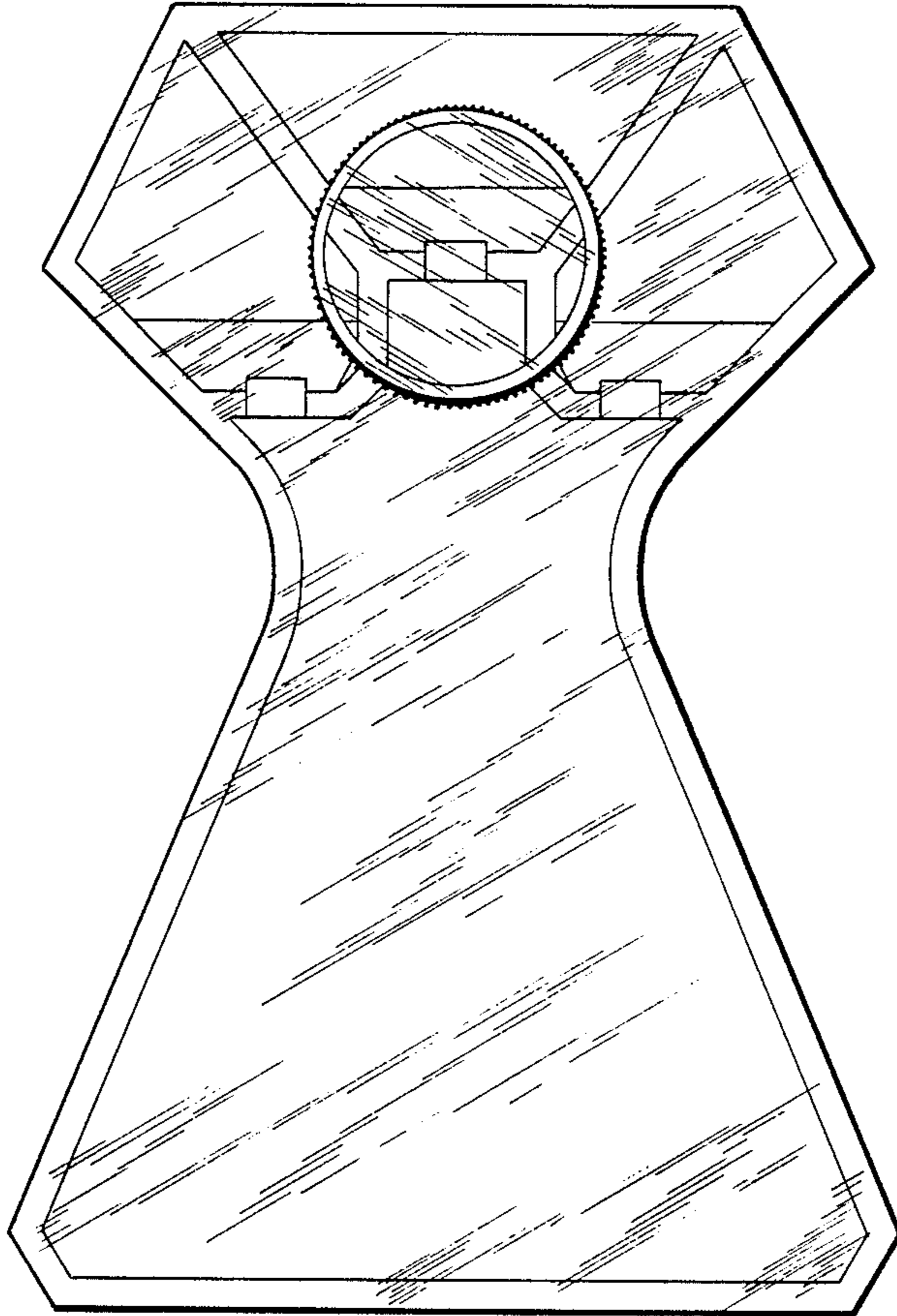


FIG. 2



FIG. 3