

- [54] **WATER HEATER FOR TUBS AND THE LIKE**  
[75] **Inventor: James E. Kingston, Arlington, Wash.**  
[73] **Assignee: Hollibaugh Manufacturing Company, Inc., Marysville, Wash.**  
[\*\*] **Term: 14 Years**  
[21] **Appl. No.: 547,821**  
[22] **Filed: Nov. 1, 1983**

**Related U.S. Application Data**

- [63] Continuation-in-part of Ser. No. 463,696, Feb. 9, 1983, abandoned.  
[52] **U.S. Cl. .... D23/316**  
[58] **Field of Search .... D23/88, 315, 316; 219/306, 296, 307, 308, 309**

**References Cited**

**U.S. PATENT DOCUMENTS**

- D. 222,260 10/1971 Read et al. .... D23/88  
D 286,320 10/1986 Kingston ..... D23/316  
4,595,825 6/1986 Gordbegli ..... 219/306

**FOREIGN PATENT DOCUMENTS**

- 703605 2/1931 France ..... 219/296

*Primary Examiner*—James M. Gandy

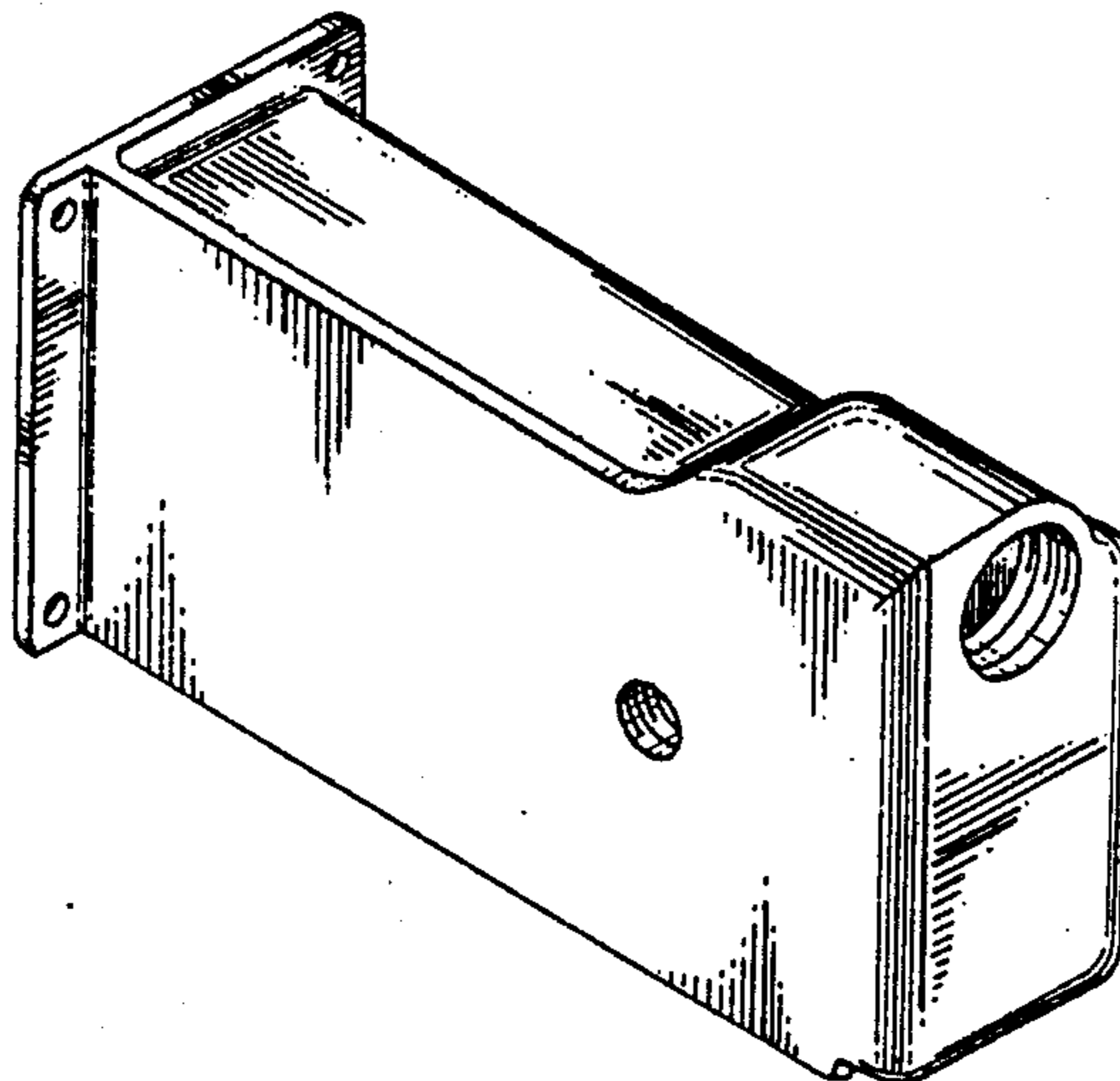
*Assistant Examiner*—Lisa Lichtenstein  
*Attorney, Agent, or Firm*—Seed and Berry

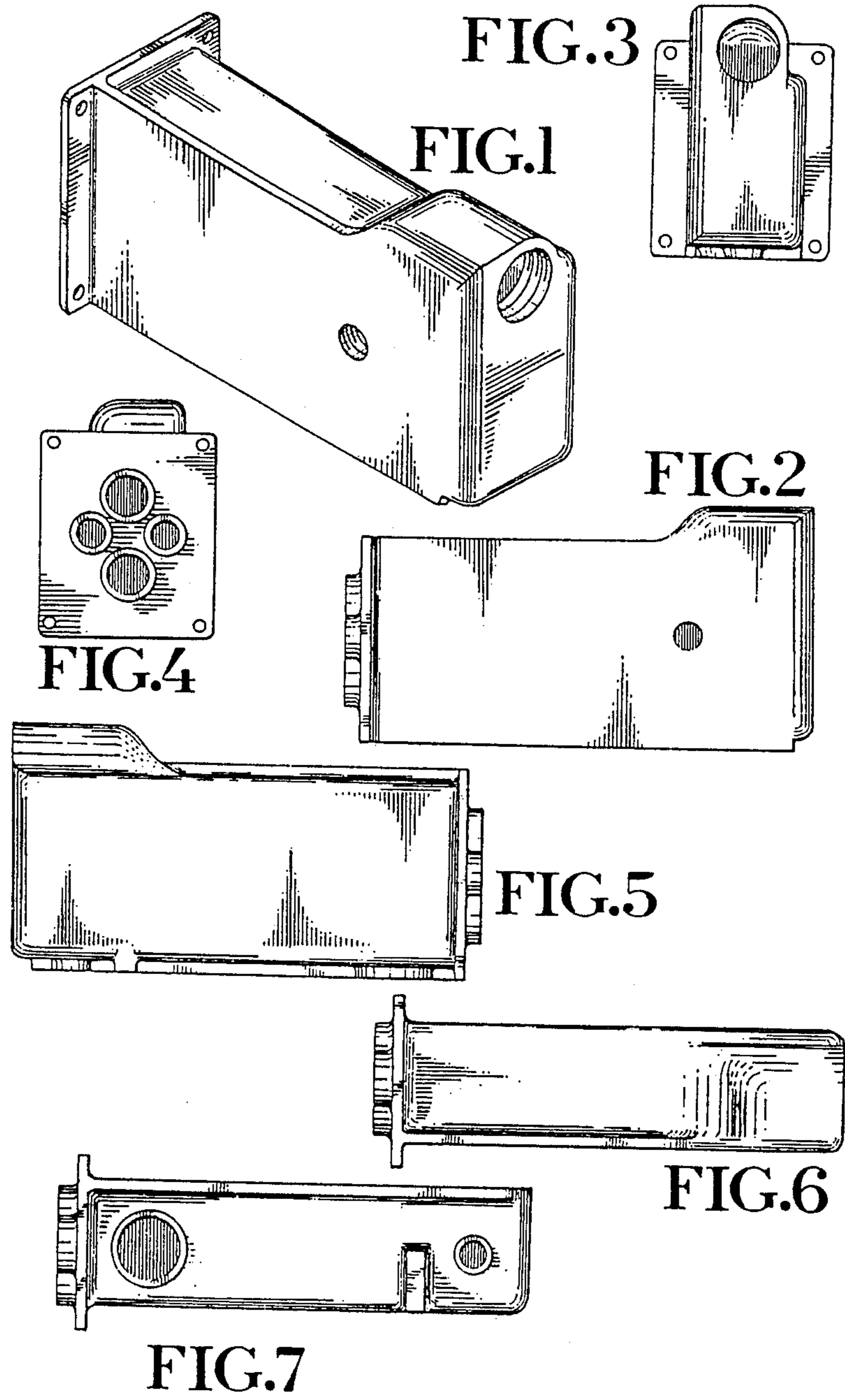
[57] **CLAIM**

The ornamental design for a water heater for tubs and the like, as shown and described.

**DESCRIPTION**

FIG. 1 is a top perspective view of a water heater for tubs and the like showing my new design;  
FIG. 2 is a front elevation view thereof;  
FIG. 3 is an end elevation view thereof taken from the right of FIG. 2;  
FIG. 4 is an end elevation view thereof taken from the left of FIG. 2;  
FIG. 5 is a rear elevation view thereof;  
FIG. 6 is a top plan view thereof; and  
FIG. 7 is a bottom plan view thereof.  
FIG. 8 is a top perspective view of a water heater for tubs and the like showing a second embodiment of my new design;  
FIG. 9 is a rear elevation view of FIG. 8;  
FIG. 10 is an end elevation view of FIG. 8 taken from the left of FIG. 9;  
FIG. 11 is an end elevation view of FIG. 8 taken from the right of FIG. 9;  
FIG. 12 is a front elevation view of FIG. 8;  
FIG. 13 is a top plan view of FIG. 8; and  
FIG. 14 is a bottom plan view of FIG. 8.





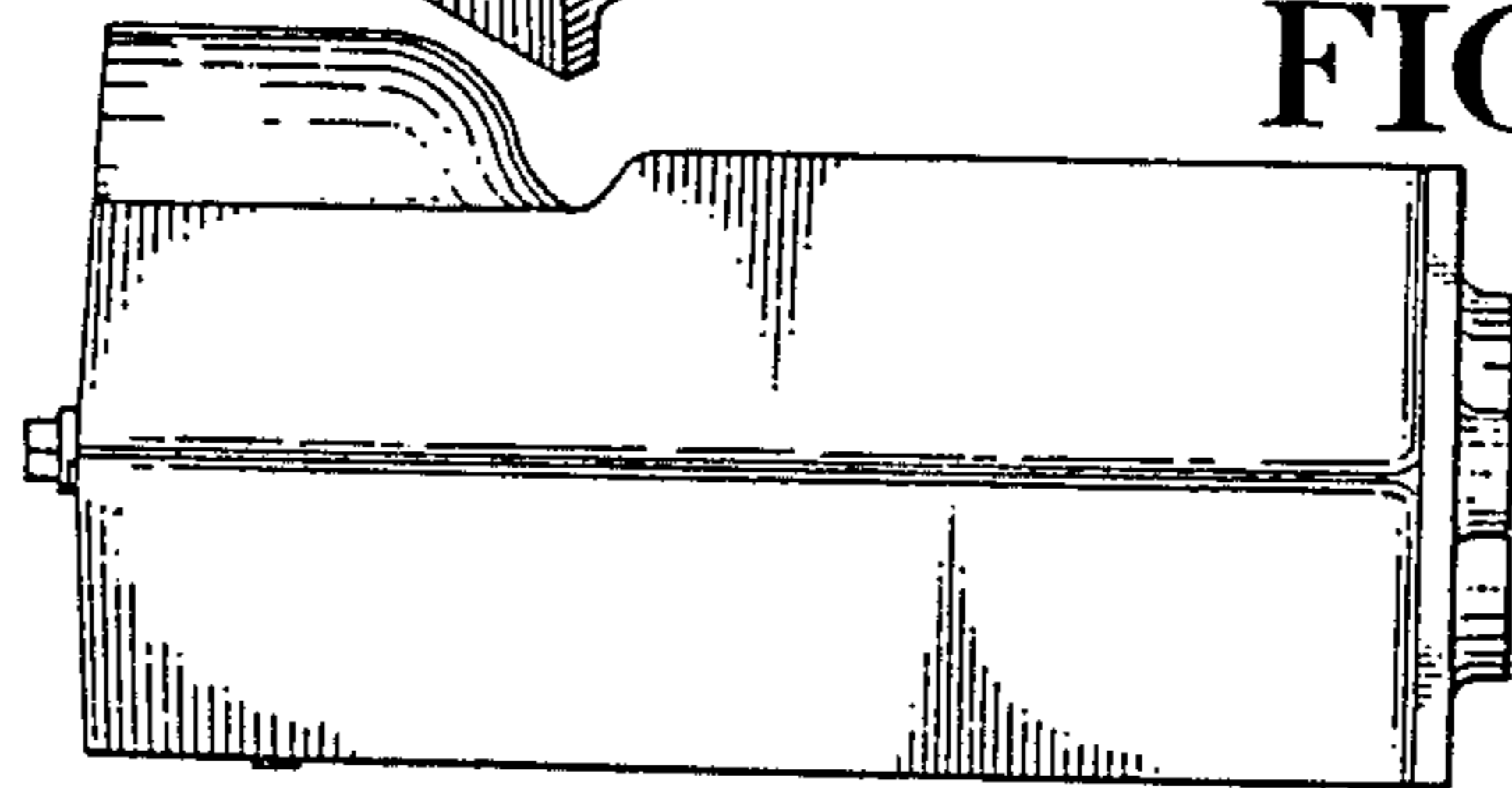
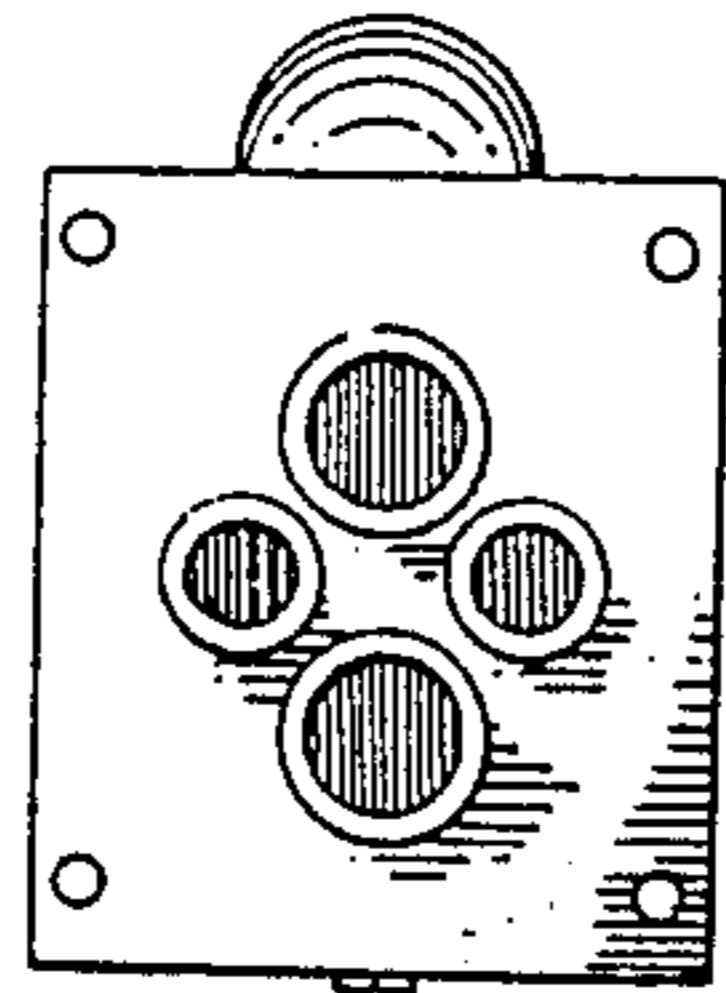
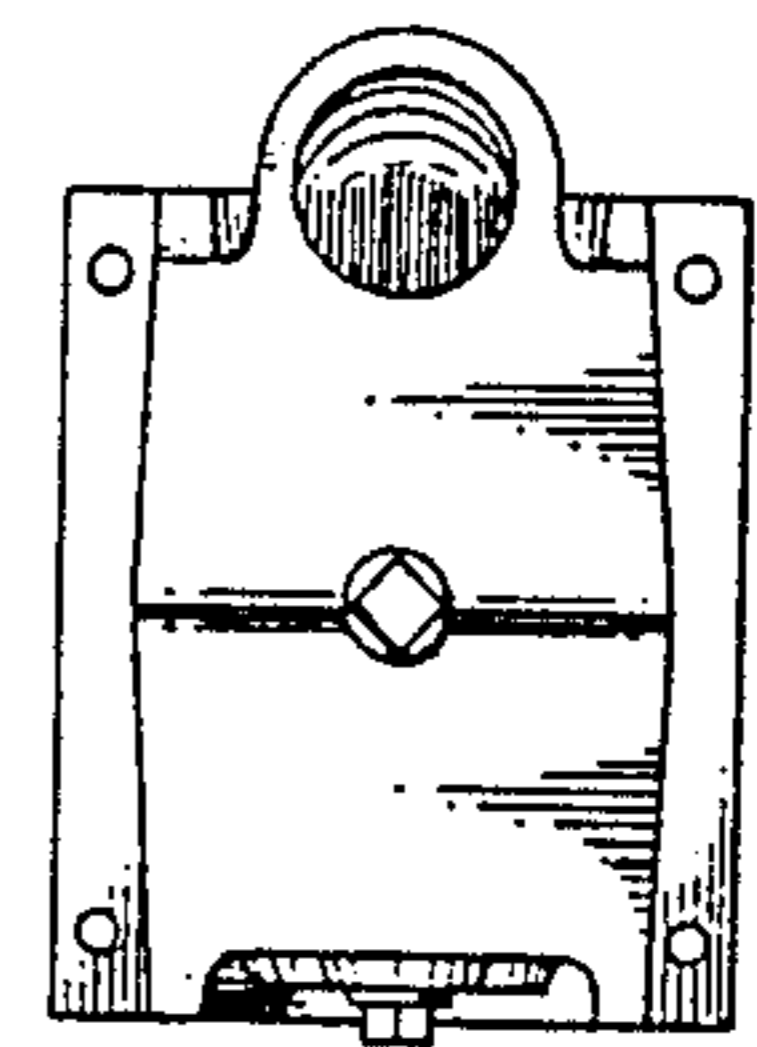
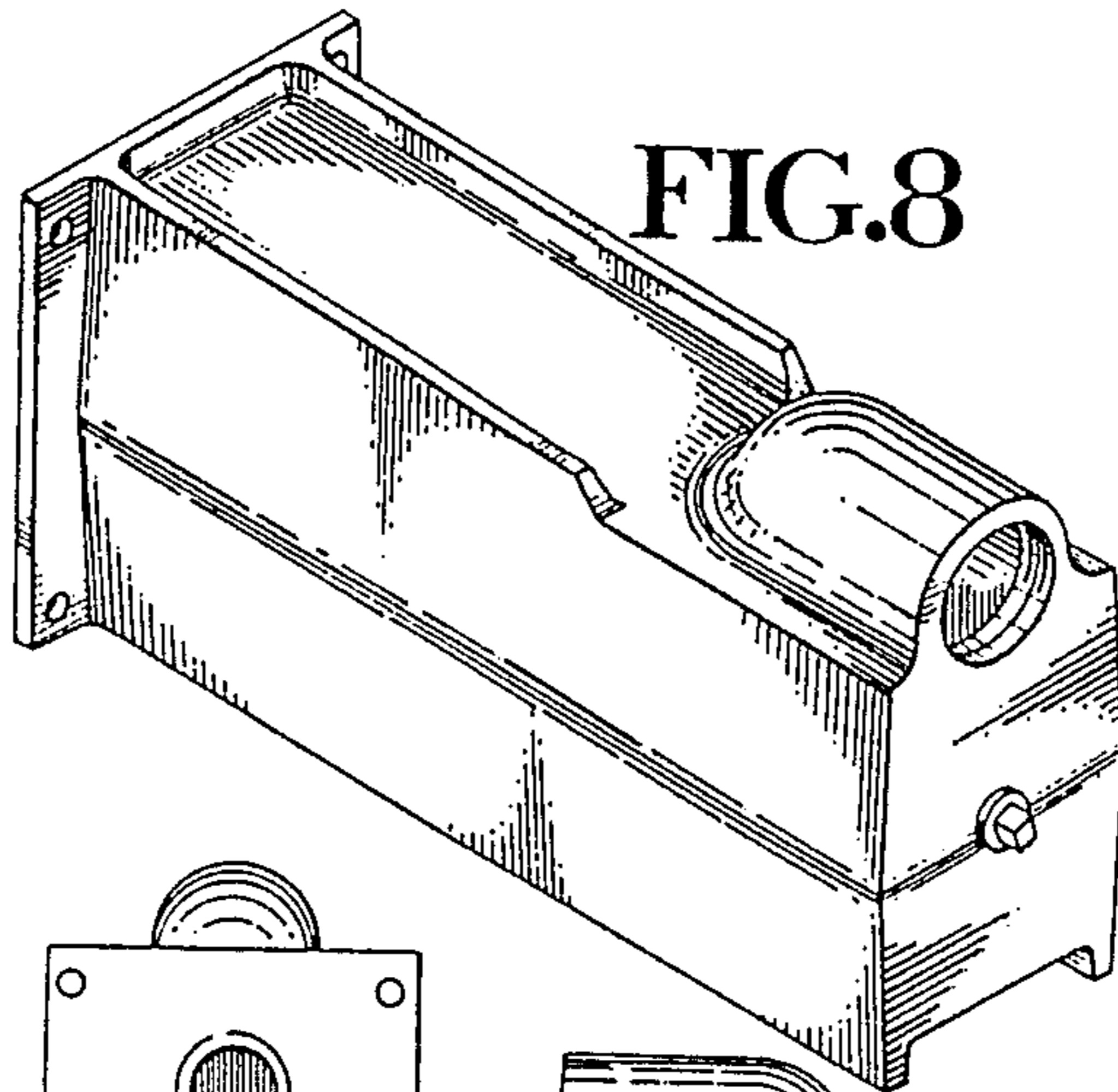


FIG. 11

FIG. 9

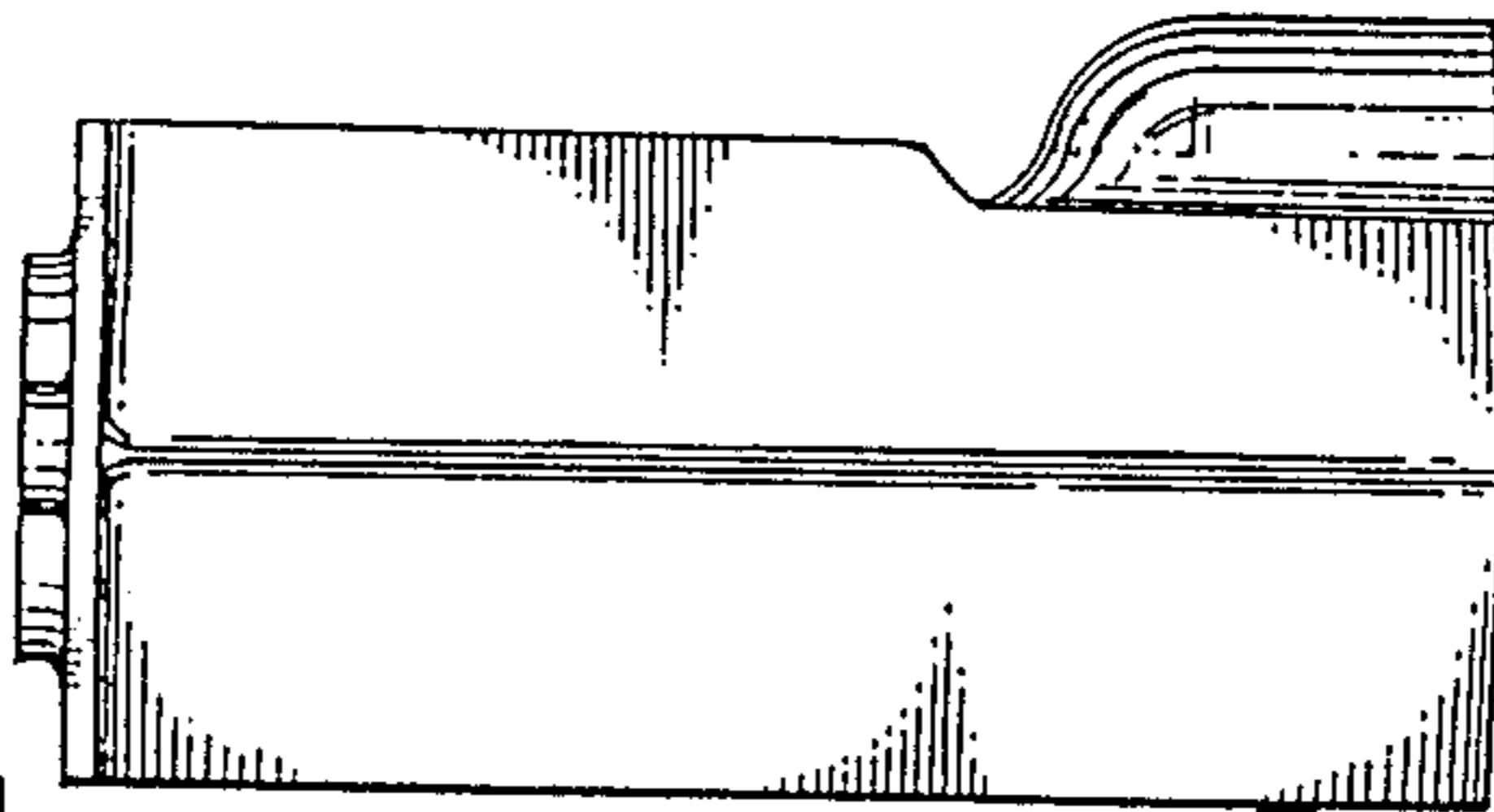


FIG. 12

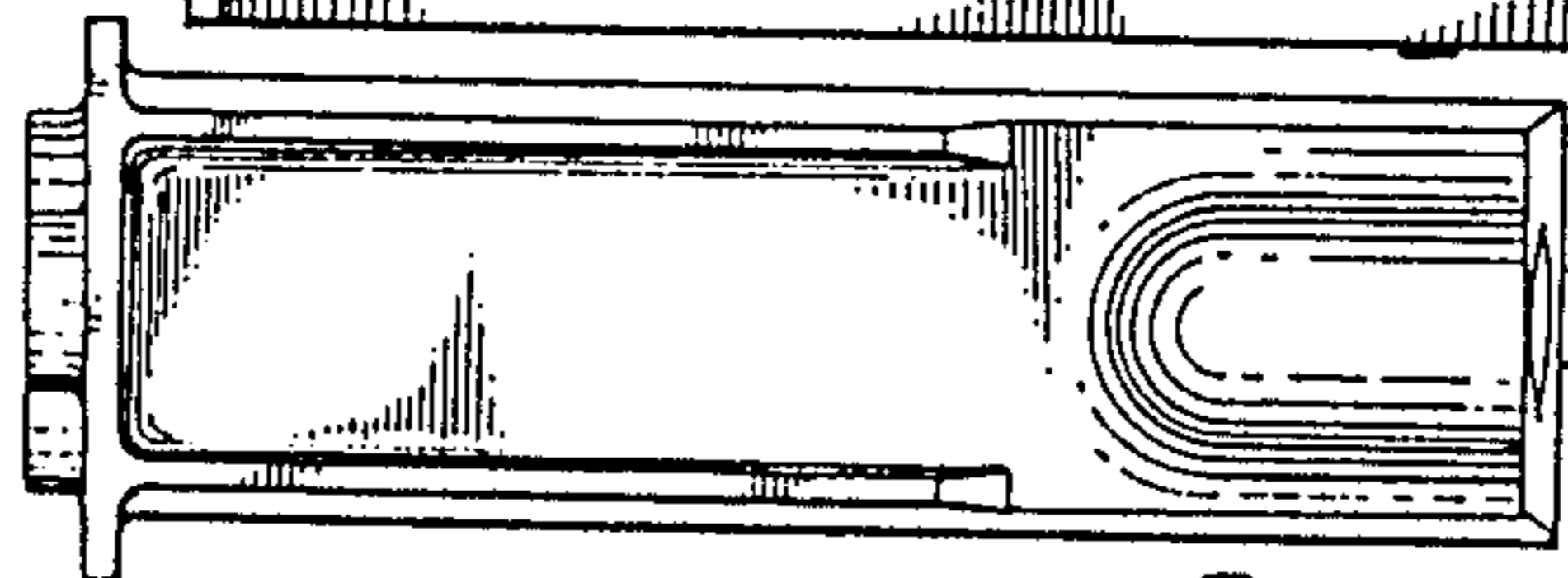


FIG. 13

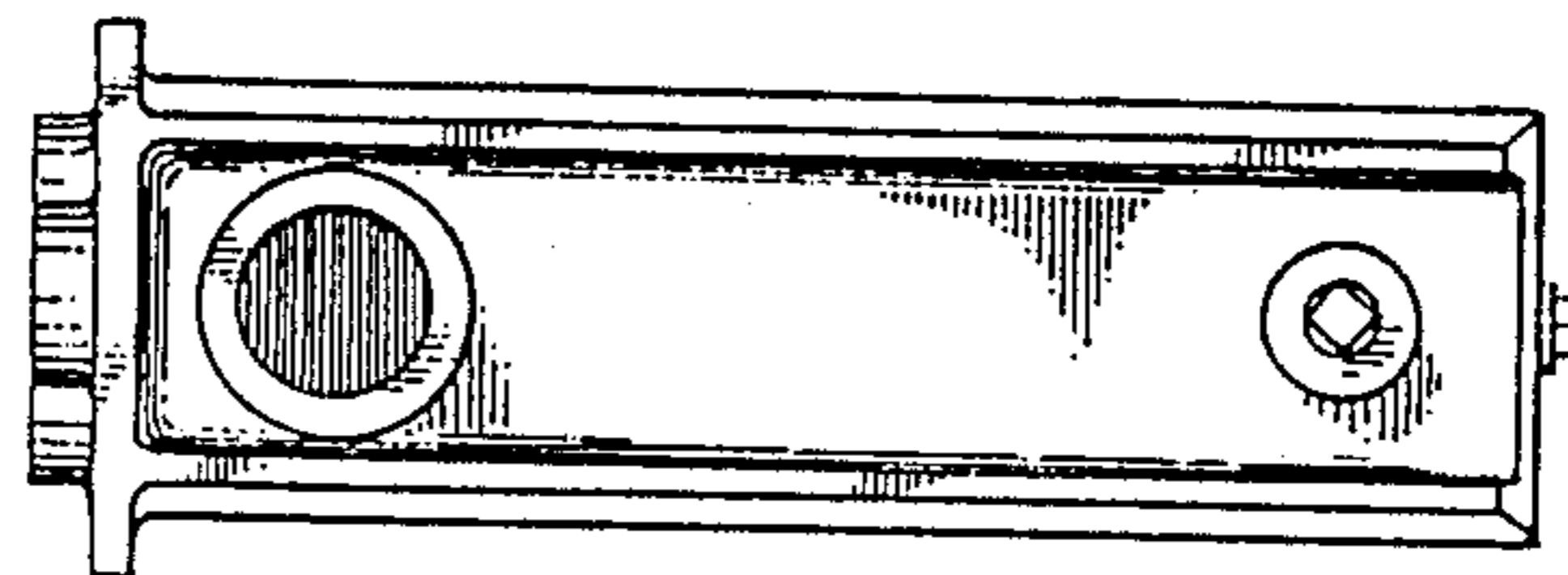


FIG. 14