

[54] FISHING POLE HOLDER

2,971,734 2/1961 Grimes ..... D22/147 X

[76] Inventor: Thomas Ewald, 12949 Basell Dr., Hemlock, Mich. 48626

Primary Examiner—A. Hugo Word  
Attorney, Agent, or Firm—John J. Swartz

[\*\*] Term: 14 Years

[57] CLAIM

[21] Appl. No.: 35,285

The ornamental design for a fishing pole holder, as shown and described.

[22] Filed: Apr. 7, 1987

[52] U.S. Cl. .... D22/147

[58] Field of Search ..... 43/21.2; 248/514; D22/134, 147

DESCRIPTION

[56] References Cited

U.S. PATENT DOCUMENTS

- D. 194,611 2/1963 Faulkner ..... D22/134 X
- 2,724,569 11/1955 Licata ..... 43/21.2
- 2,861,761 11/1958 Nordell ..... D22/147 X

FIG. 1 is a side elevational view of the fishing pole holder, showing my new design of the present invention;

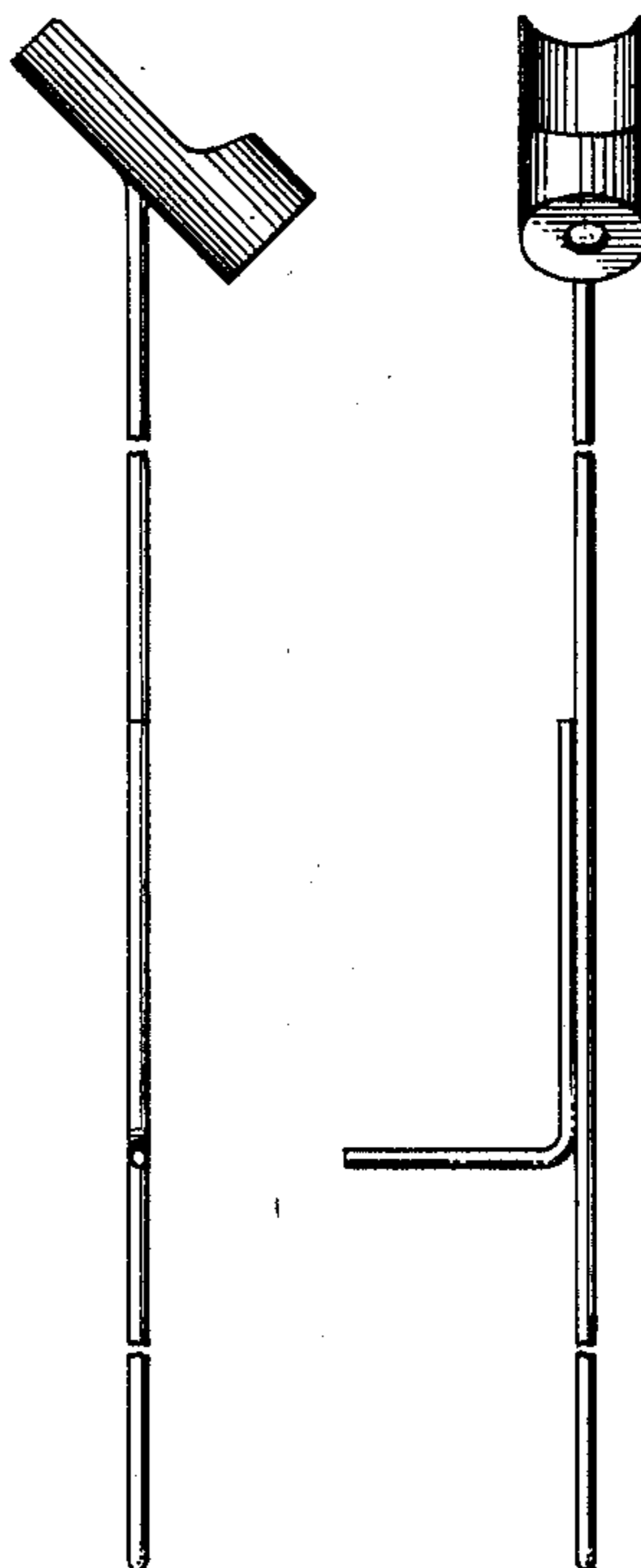
FIG. 2 is an opposite side elevational view thereof;

FIG. 3 is a rear elevational view of the fishing pole holder as seen from the left hand side of FIG. 1;

FIG. 4 is a front elevational view thereof;

FIG. 5 is a top plan view thereof; and

FIG. 6 is a bottom plan view of the fishing pole holder.



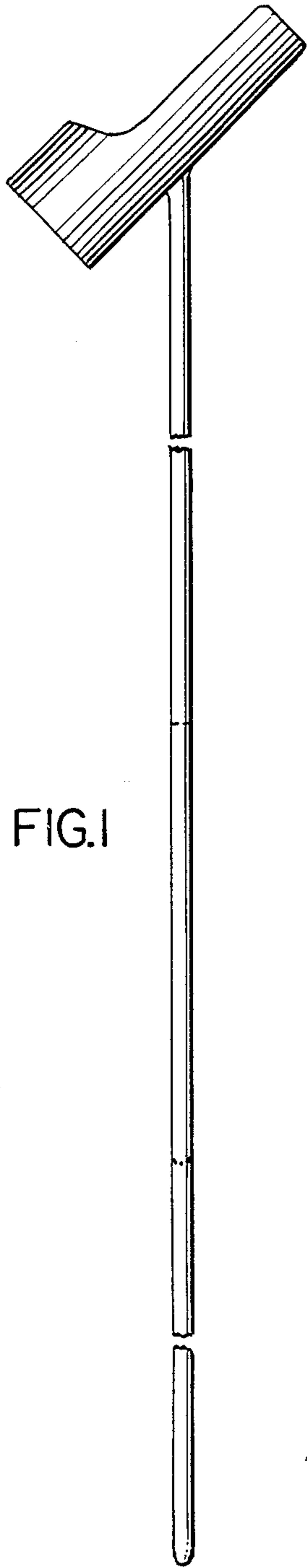


FIG. 1

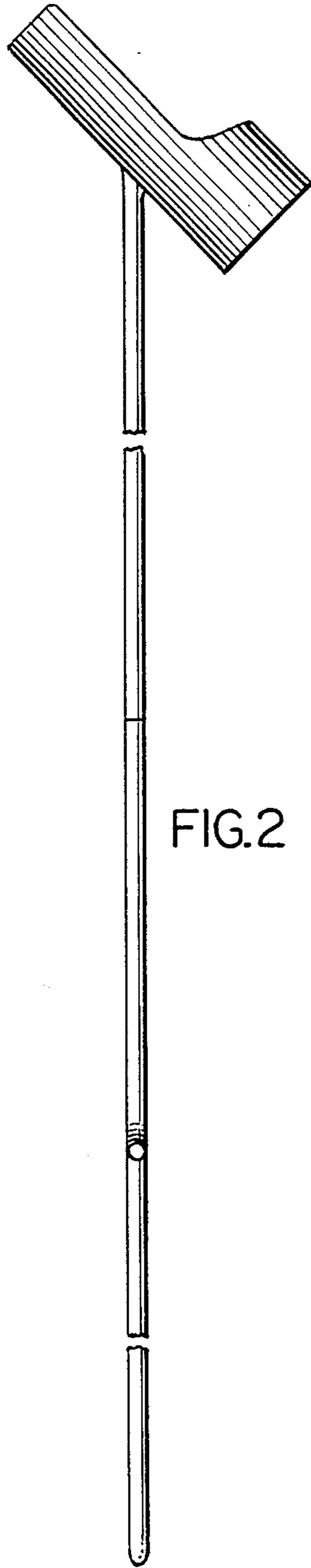


FIG. 2

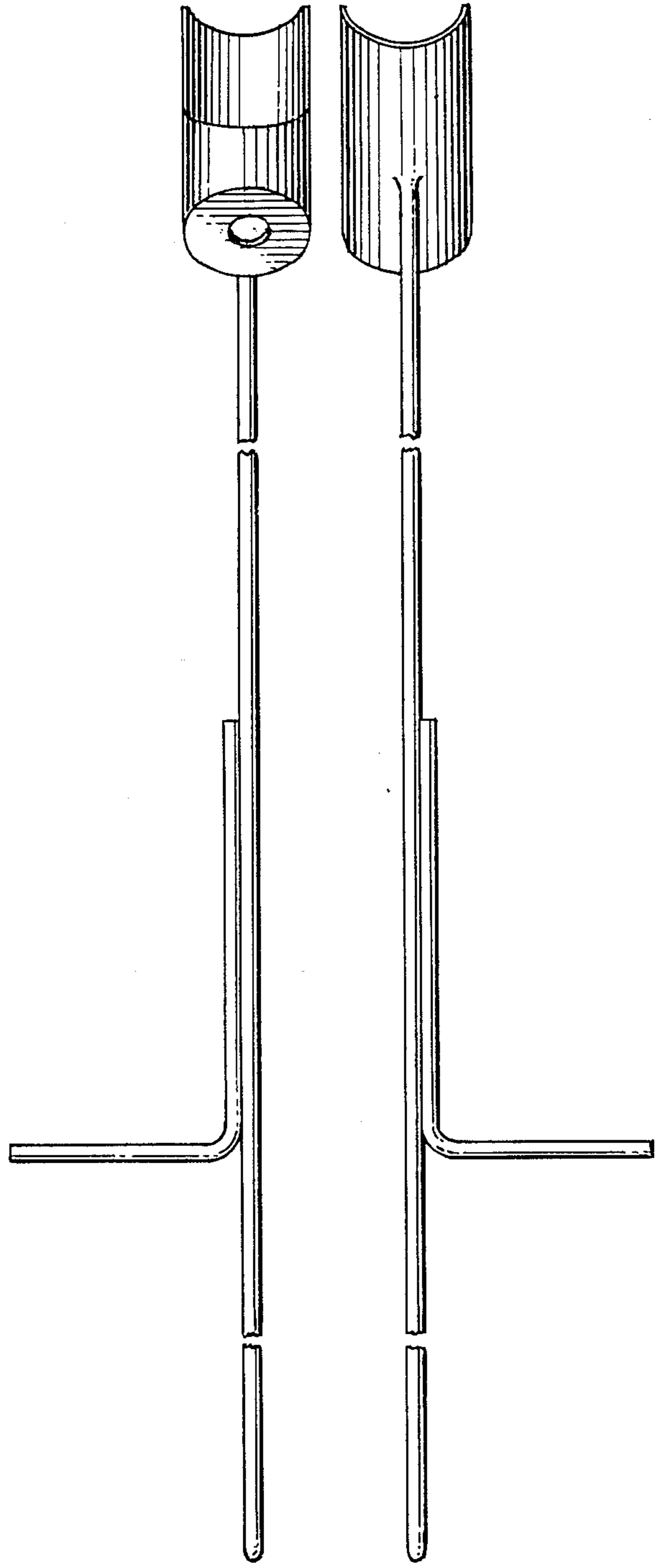


FIG. 3

FIG. 4

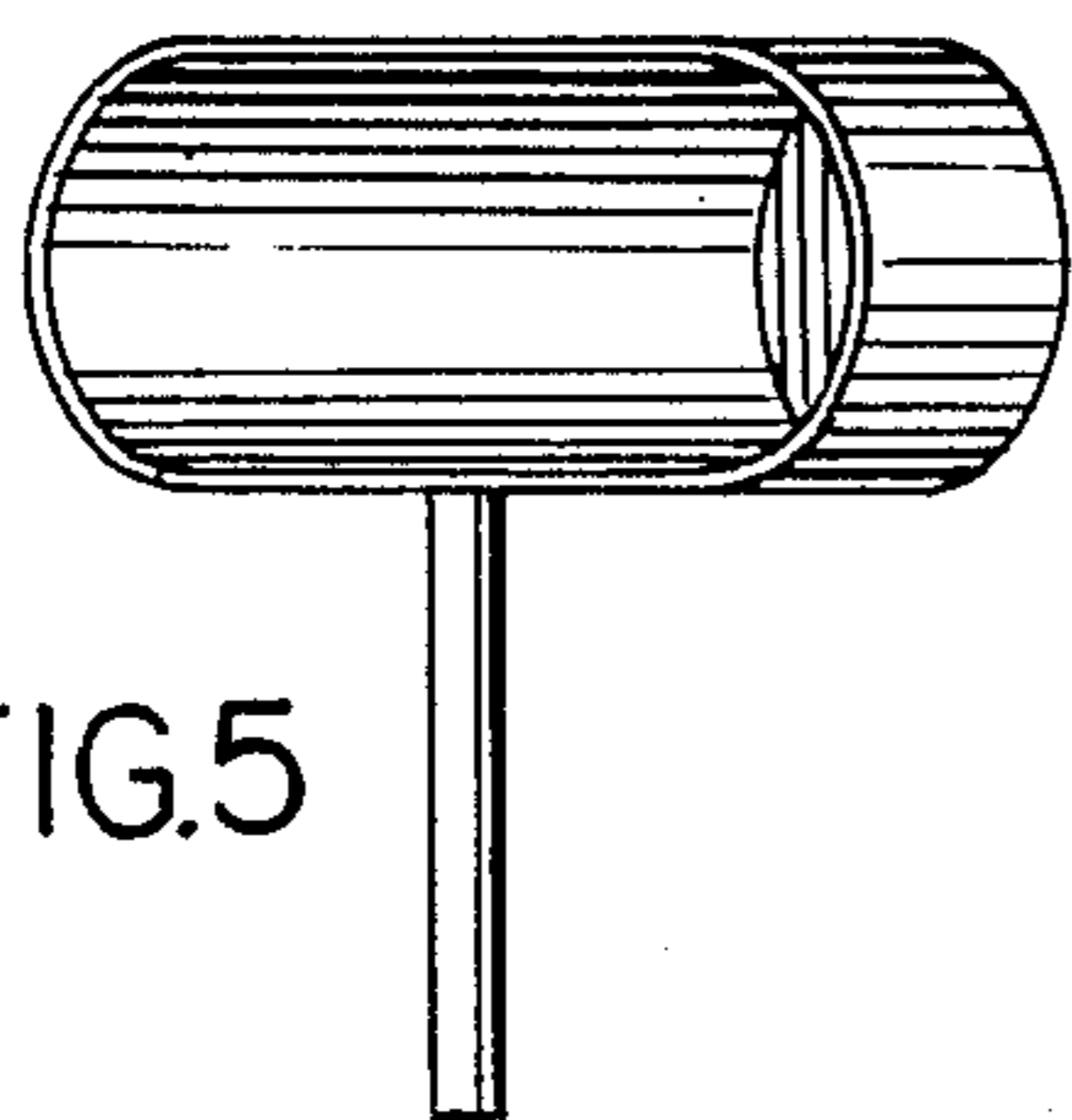


FIG. 5

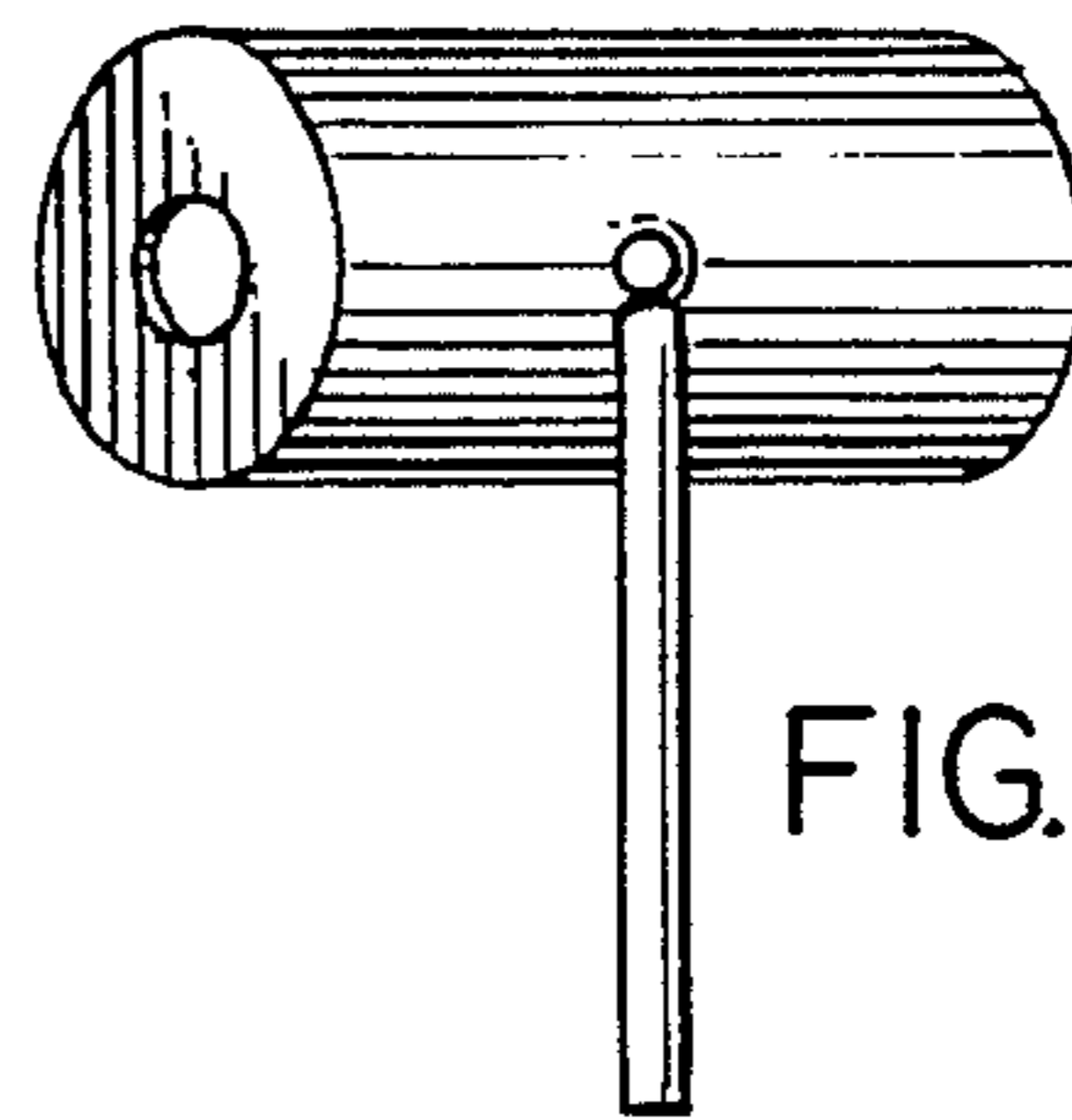


FIG. 6