

[54] **TENT PEG**

[76] **Inventor: Ramiel Goldstein, P.O. Box 8382,
Louisville, Ky. 40208**

[**] **Term: 14 Years**

[21] **Appl. No.: 882,619**

[22] **Filed: Jul. 7, 1986**

[52] **U.S. Cl. D21/255**

[58] **Field of Search D21/253, 254, 255;
D8/1, 385, 395; D6/417; 248/520, 507, 508;
138/118, 119, 120; 47/47; D11/81, 96**

[56] **References Cited**

U.S. PATENT DOCUMENTS

D. 290,939 7/1987 Lerner D11/81
D. 299,374 1/1989 Williams D21/255
2,817,346 12/1957 Whitney 135/118

FOREIGN PATENT DOCUMENTS

40364 3/1916 Sweden 135/118

Primary Examiner—Charles A. Rademaker
Attorney, Agent, or Firm—Scott R. Cox

[57] **CLAIM**

The ornamental design for a tent peg, as shown and described.

DESCRIPTION

FIG. 1 is a front elevational view of a tent peg showing my new design.

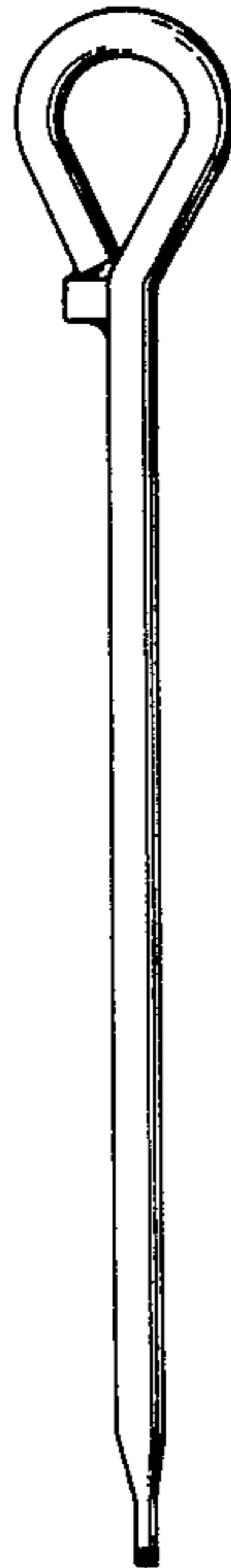
FIG. 2 is a rear elevational view thereof.

FIG. 3 is a side elevational view thereof.

FIG. 4 is the opposite side elevational view thereof.

FIG. 5 is a top plan view thereof.

FIG. 6 is a bottom plan view thereof.



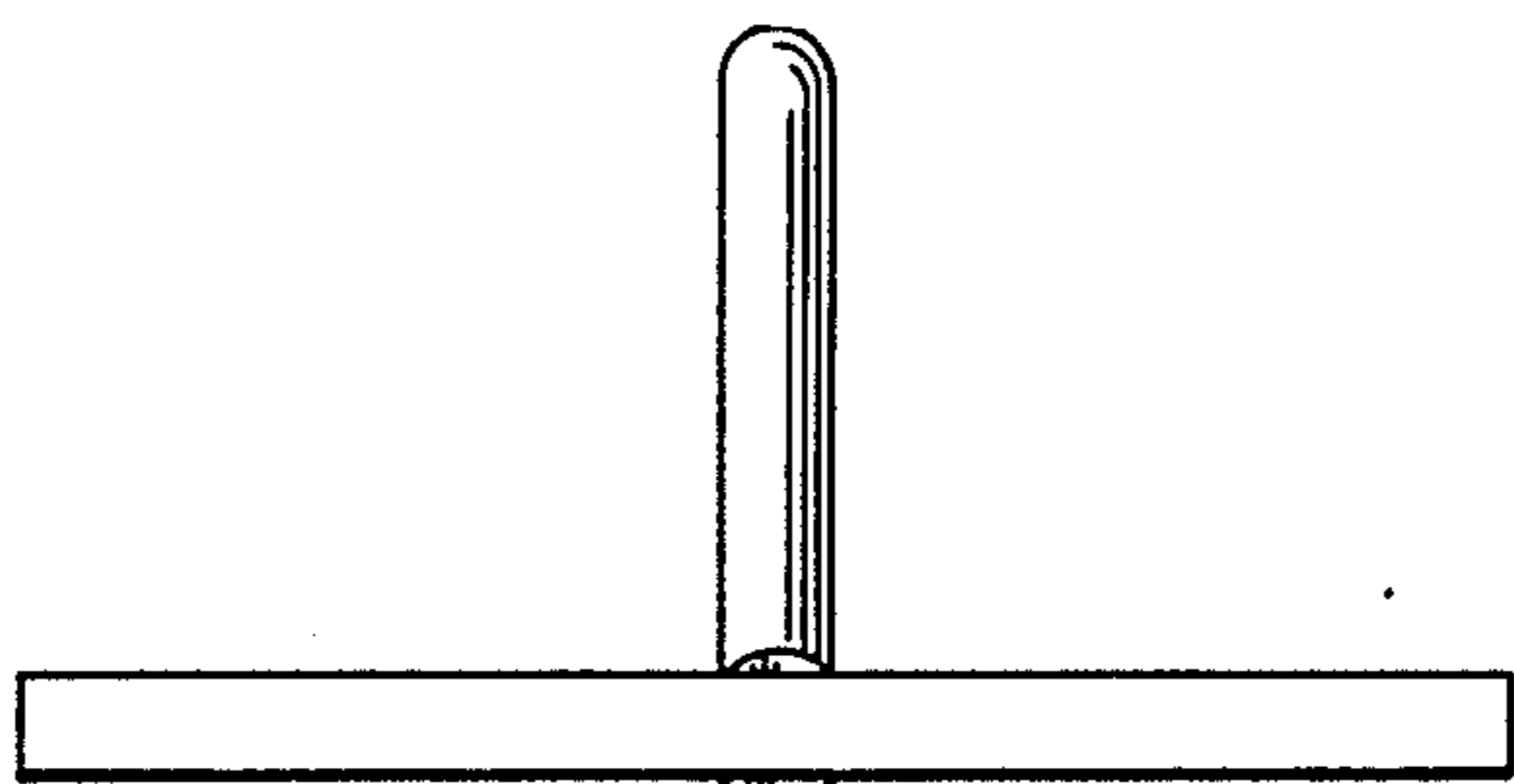


FIG. 1

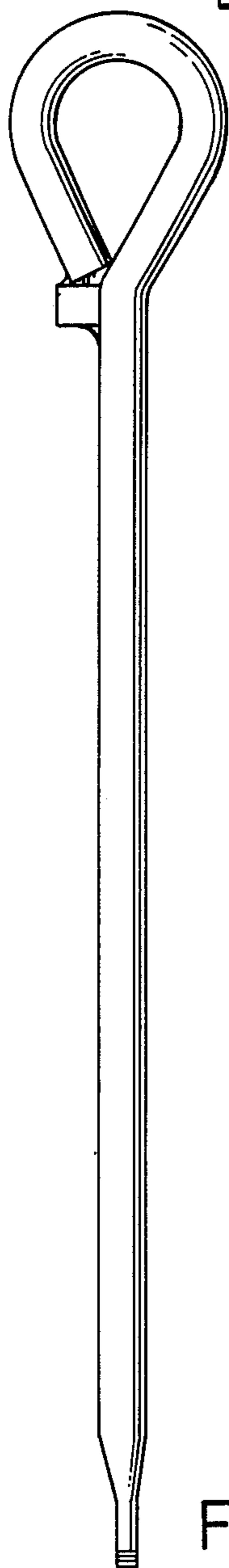


FIG. 3

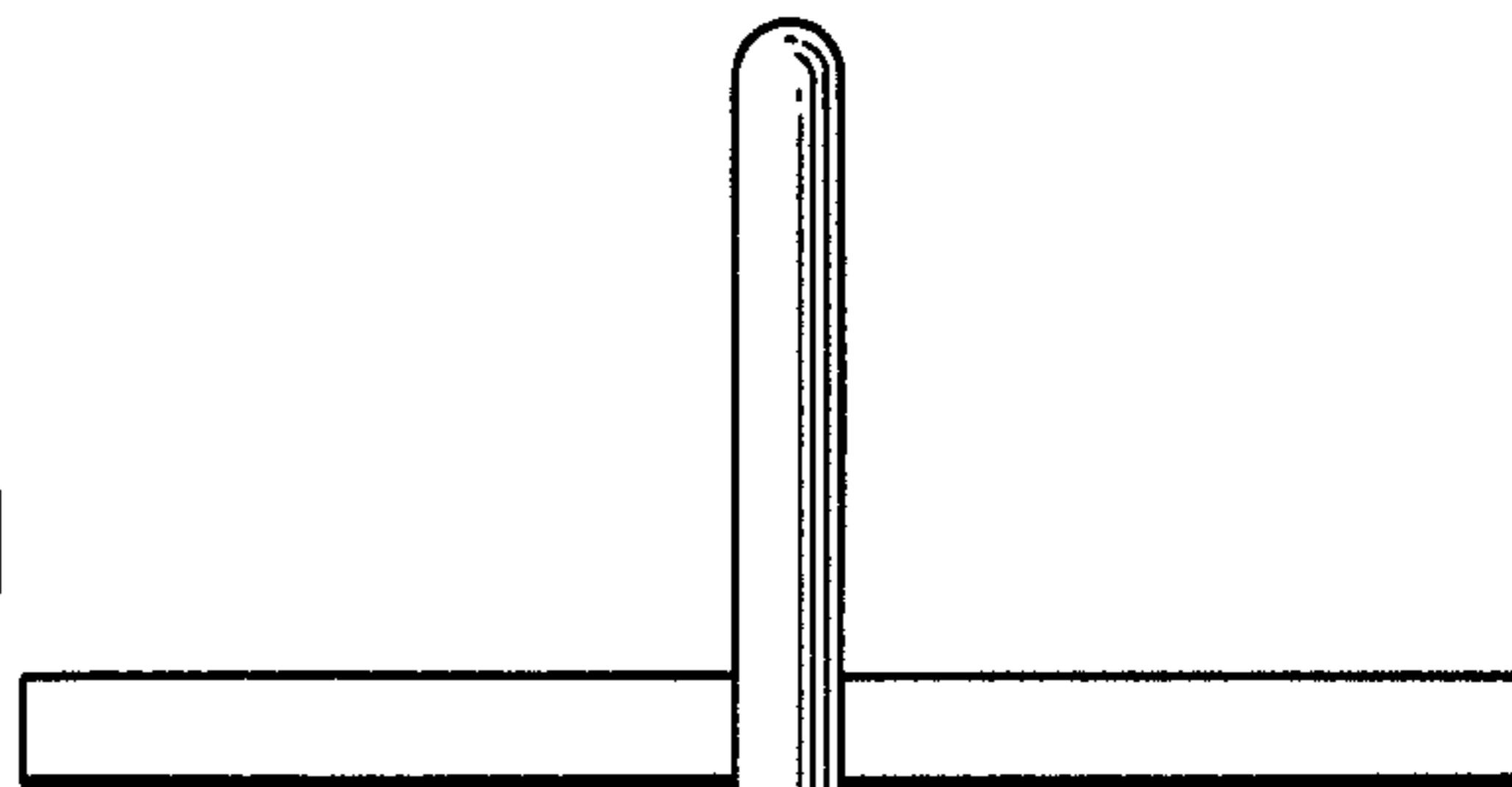


FIG. 2

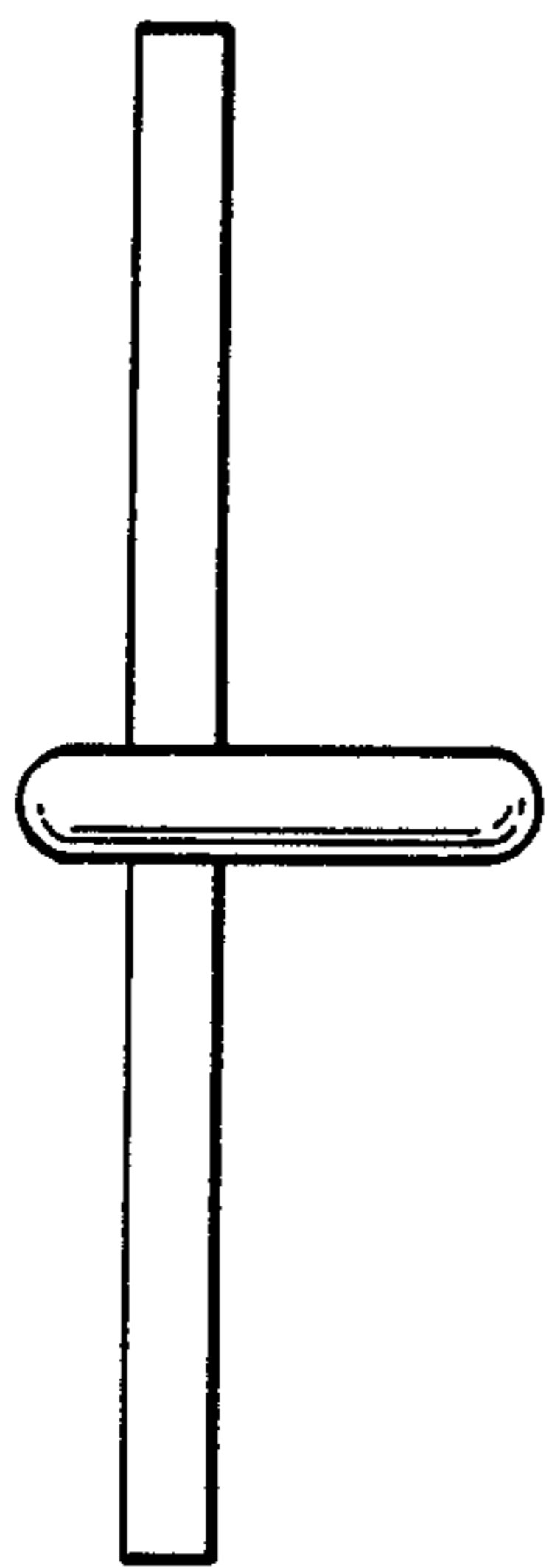


FIG. 5

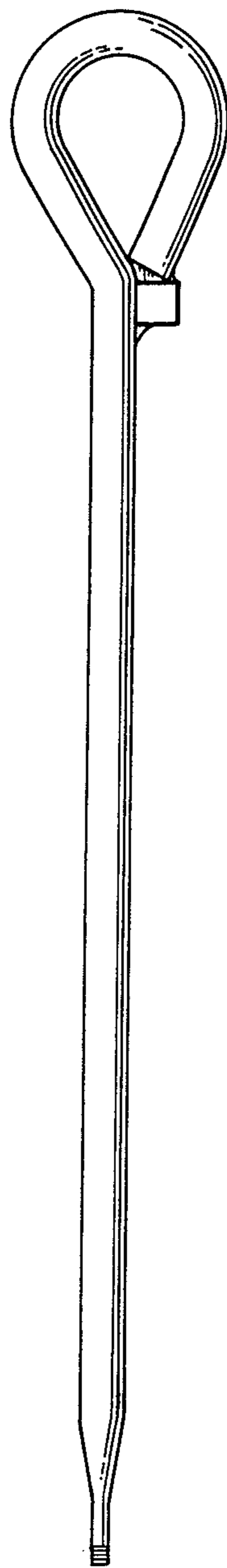


FIG. 4

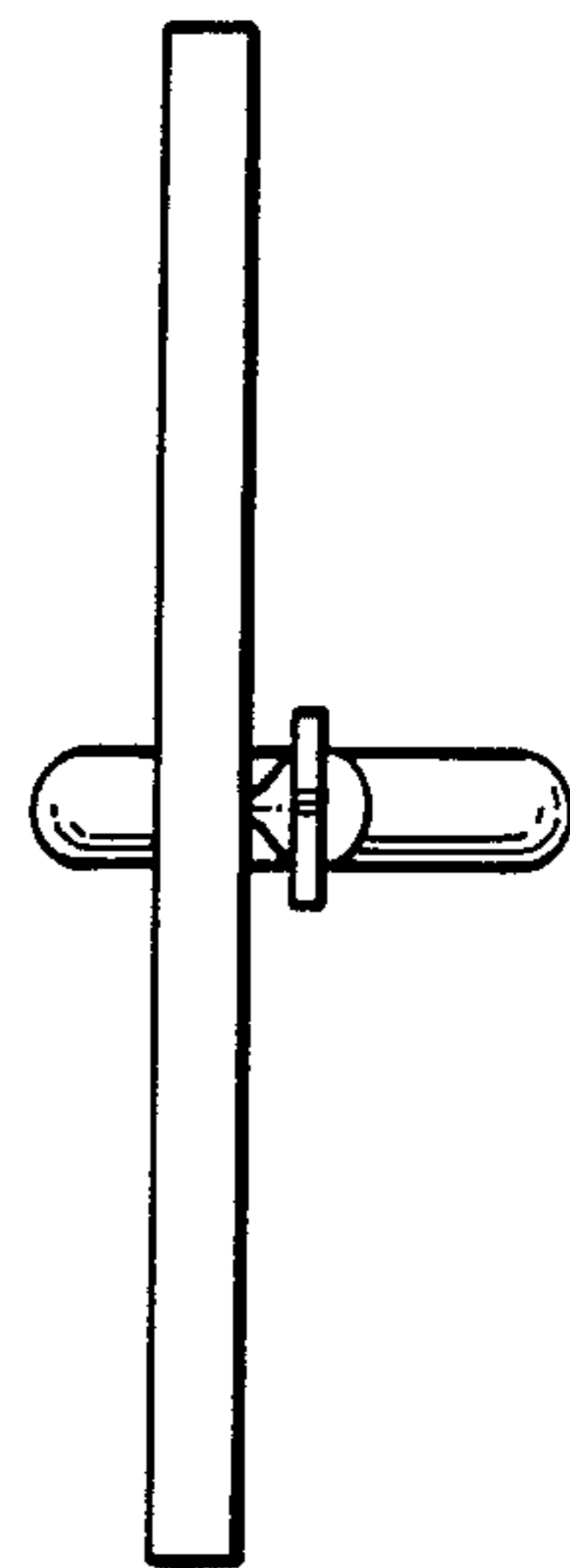


FIG. 6