

[54] **TREADMILL**

[75] **Inventor: Heikki Kiiski, Turku, Finland**

[73] **Assignee: Tunturipyörä Oy, Turku, Finland**

[**] **Term: 14 Years**

[21] **Appl. No.: 13,382**

[22] **Filed: Feb. 11, 1987**

[30] **Foreign Application Priority Data**

Aug. 26, 1986 [FI] Finland 832/86
[52] **U.S. Cl.** **D21/192**
[58] **Field of Search** **D21/191-198;**
272/69, 65

[56]

References Cited

U.S. PATENT DOCUMENTS

D. 283,239 4/1986 Smith et al. D21/192
D. 291,821 9/1987 Kiiski D21/192
3,703,284 11/1972 Hesen 272/69
4,151,988 5/1979 Nabinger 272/69
4,544,152 10/1985 Taitel 272/69

Primary Examiner—Charles A. Rademaker

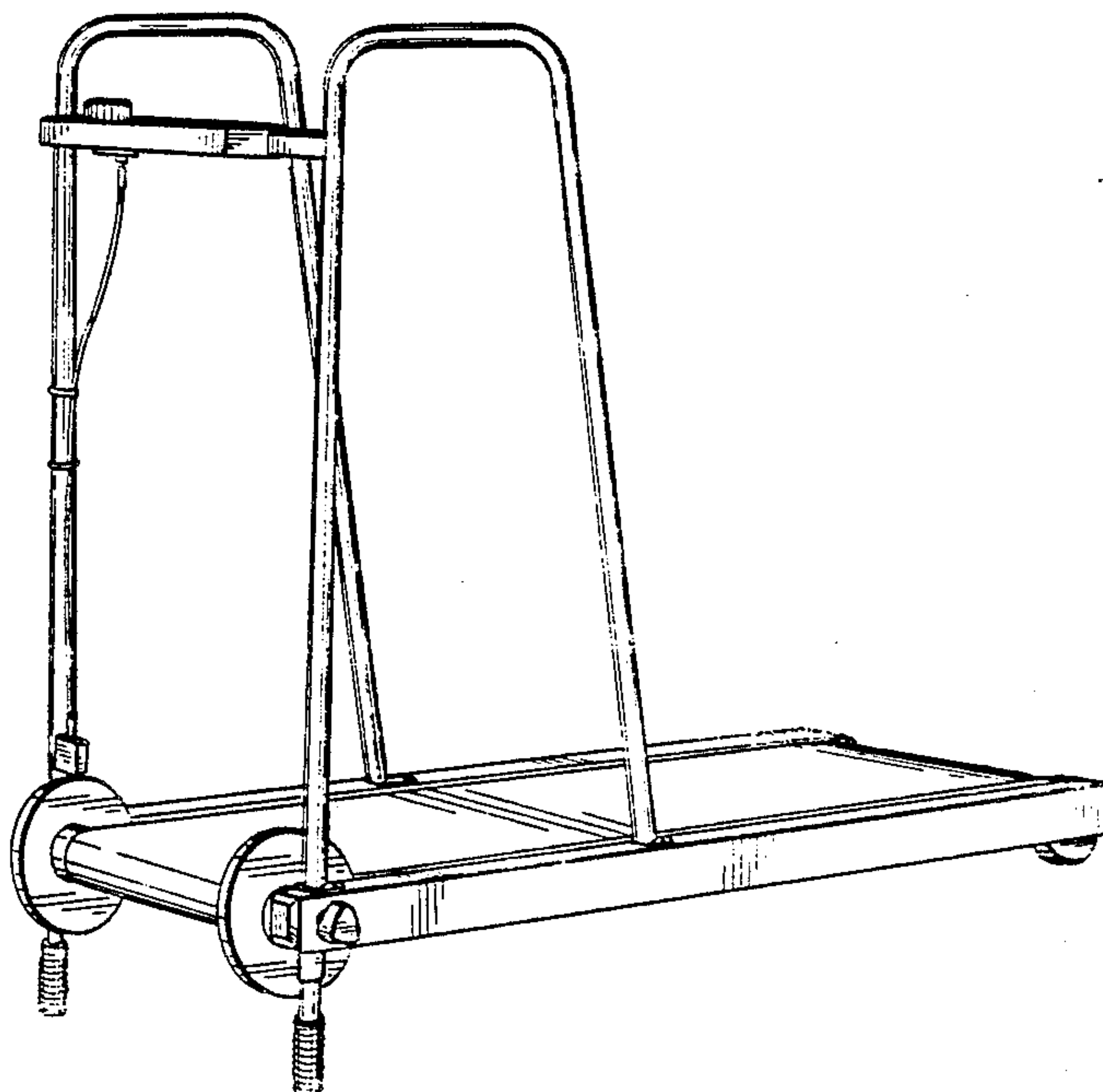
[57]

CLAIM

The ornamental design for treadmill, as shown and described.

DESCRIPTION

FIG. 1 is a perspective front view of a treadmill showing my new design;
FIG. 2 is a side elevational view thereof;
FIG. 3 is a front elevational view thereof;
FIG. 4 is a rear elevational view thereof;
FIG. 5 is a top plan view thereof; and
FIG. 6 is a bottom plan view thereof.



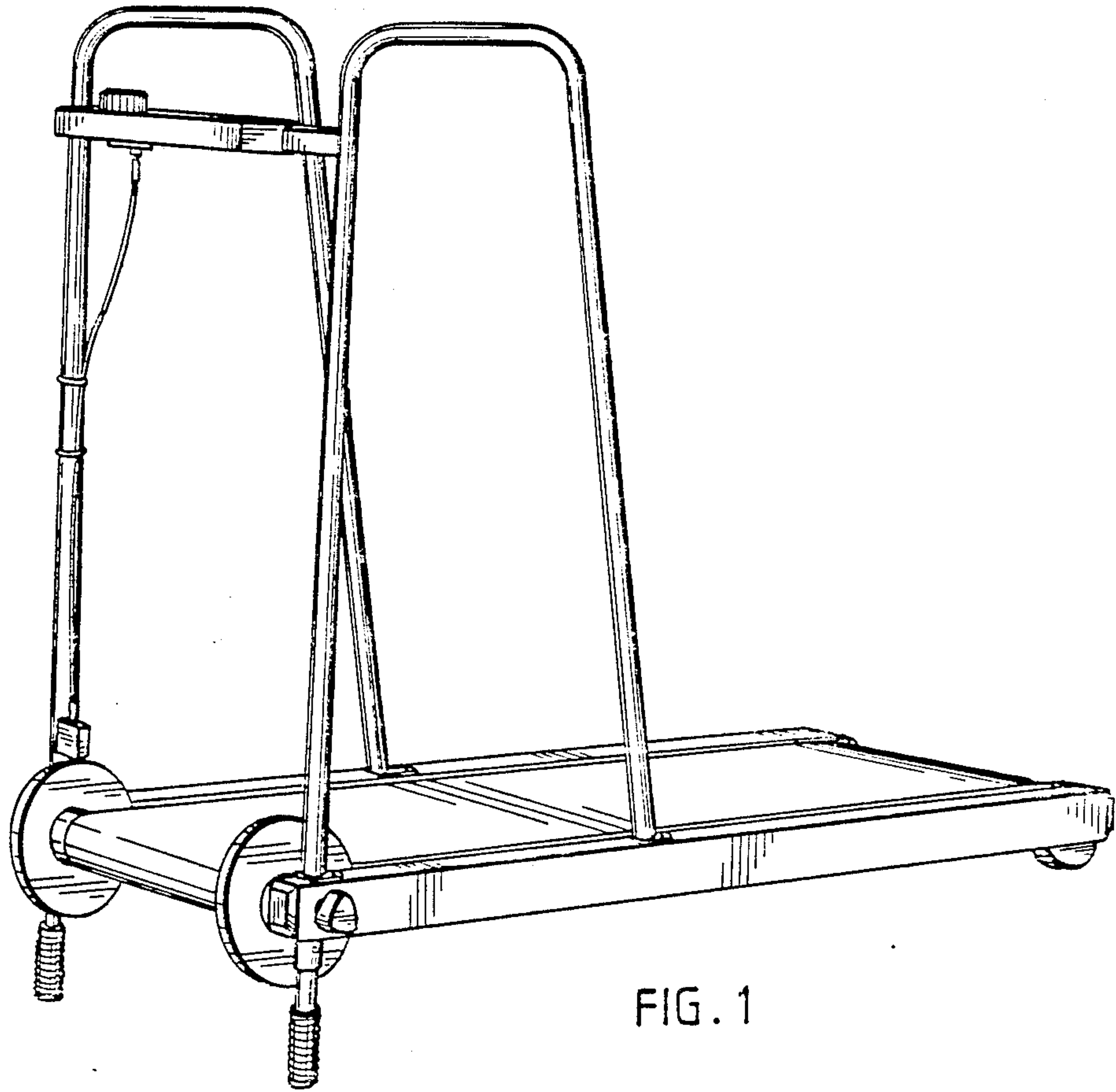


FIG. 1

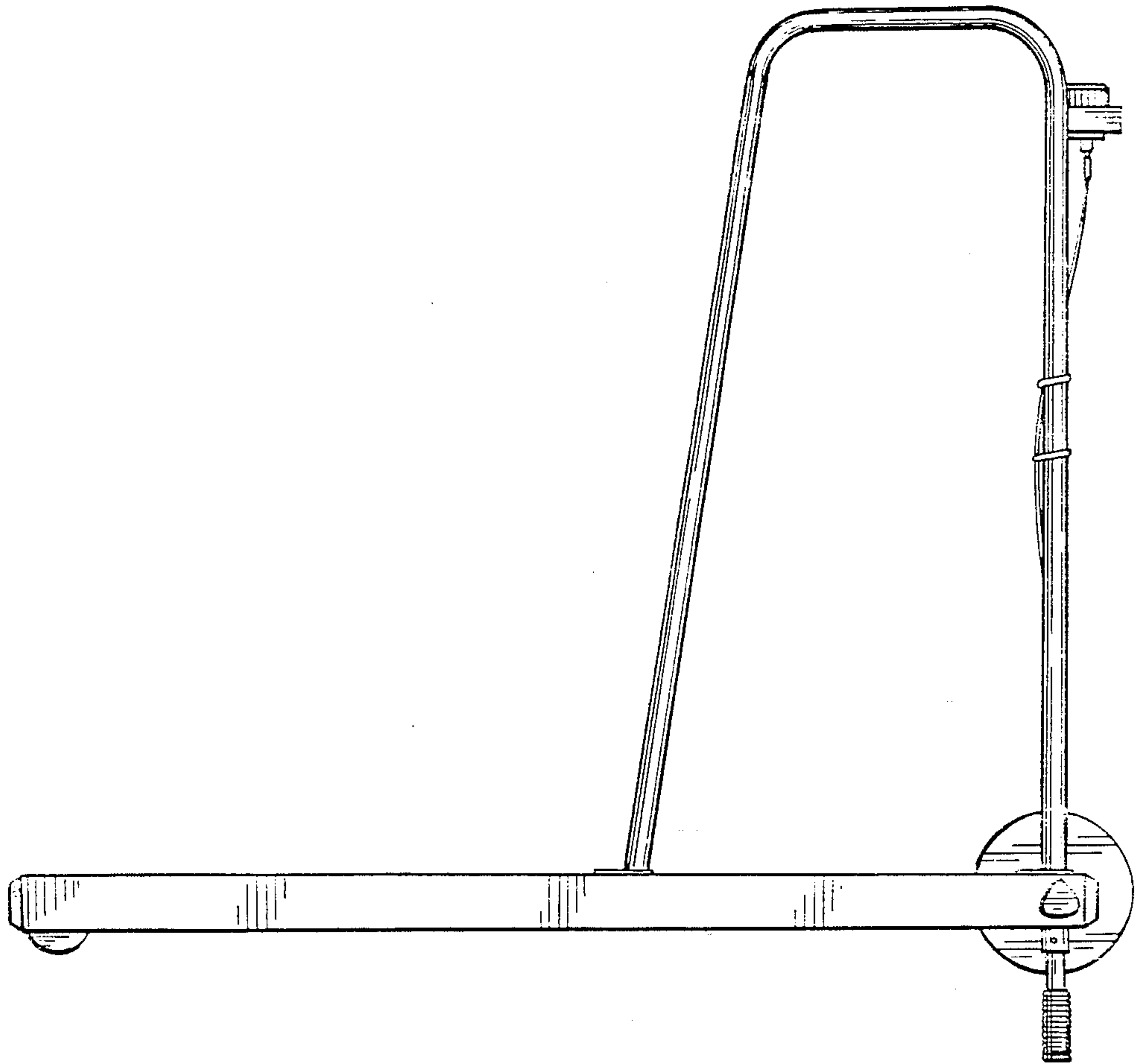


FIG. 2

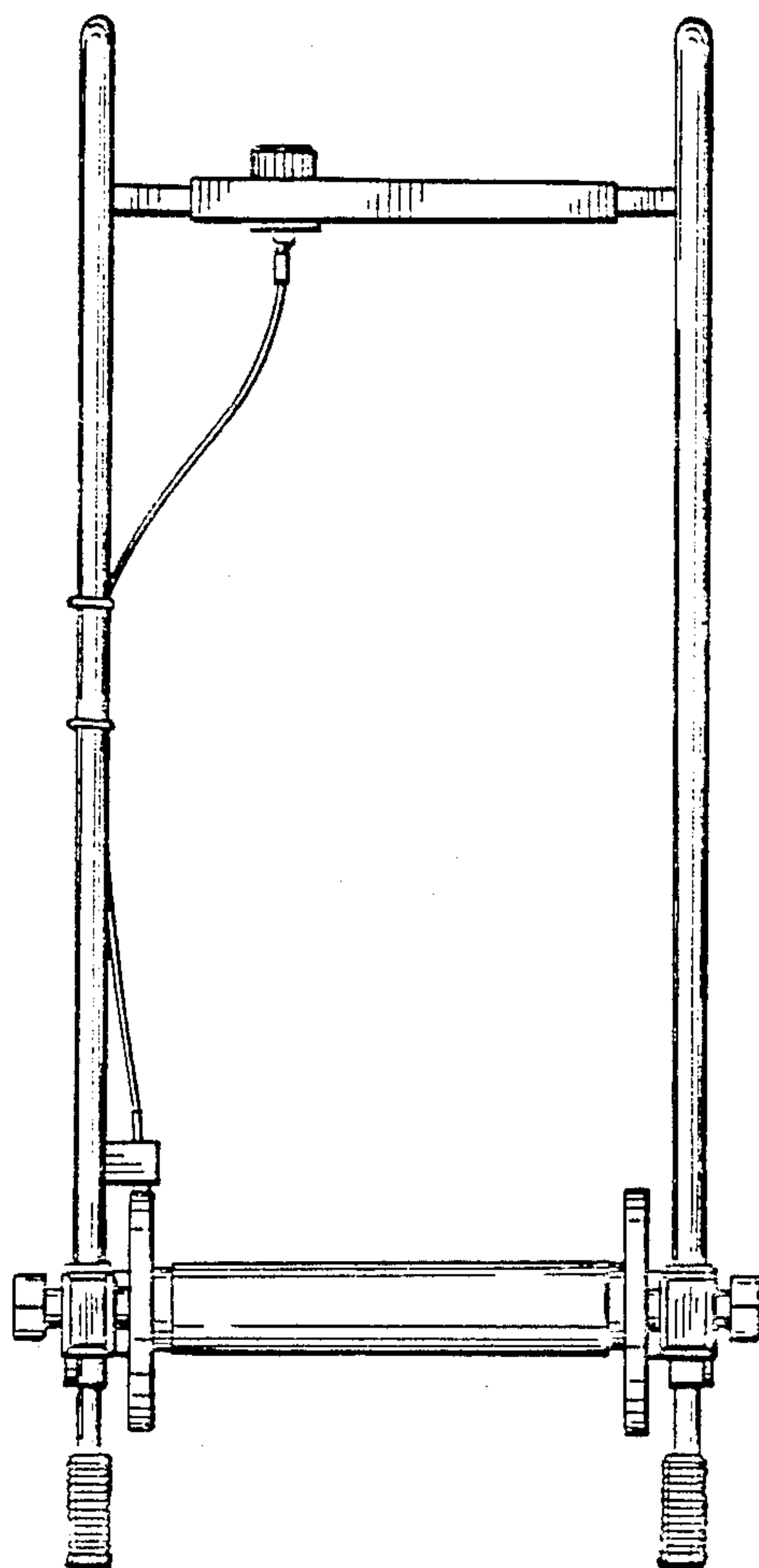


FIG. 3

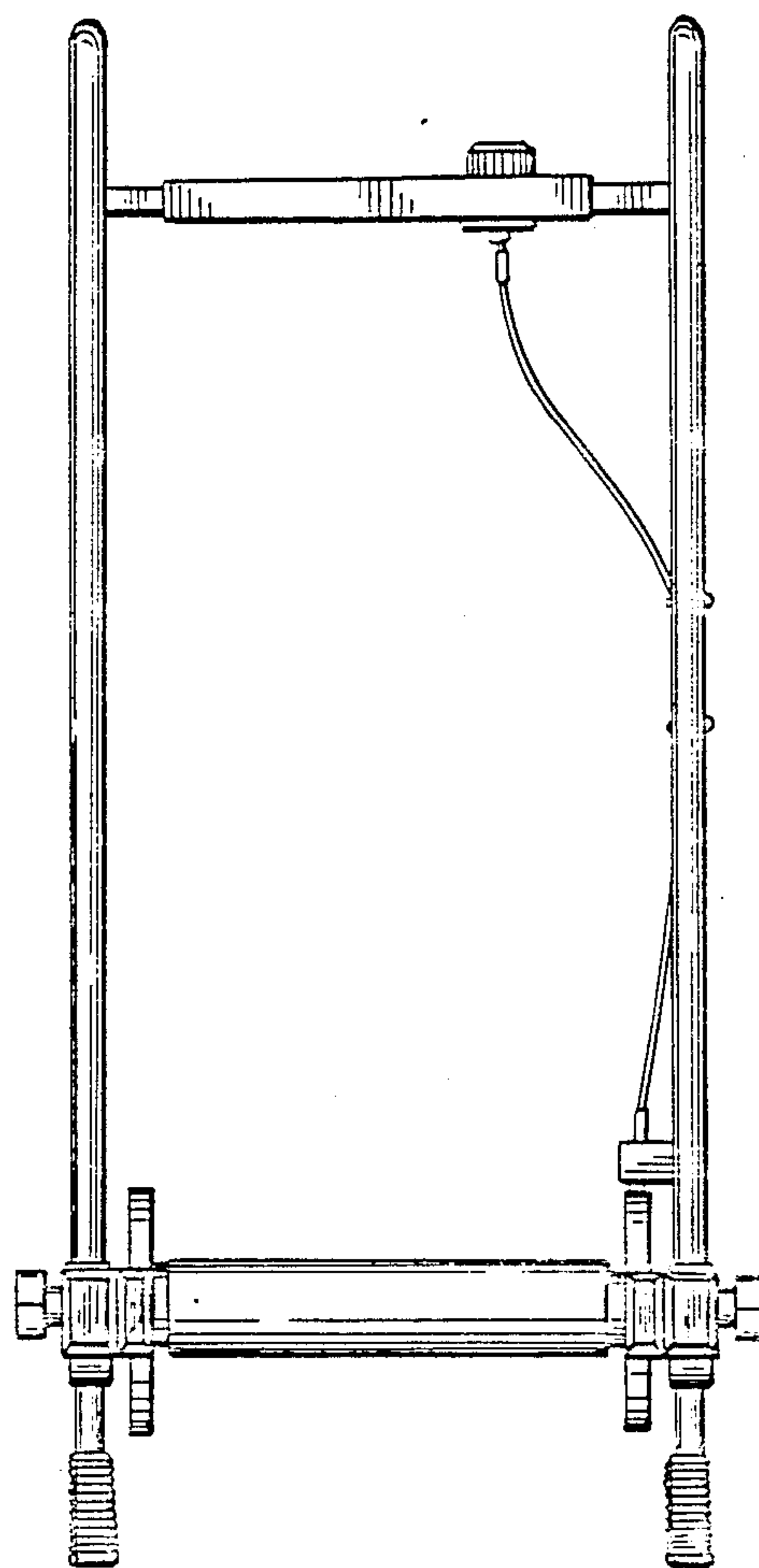


FIG. 4

FIG. 5

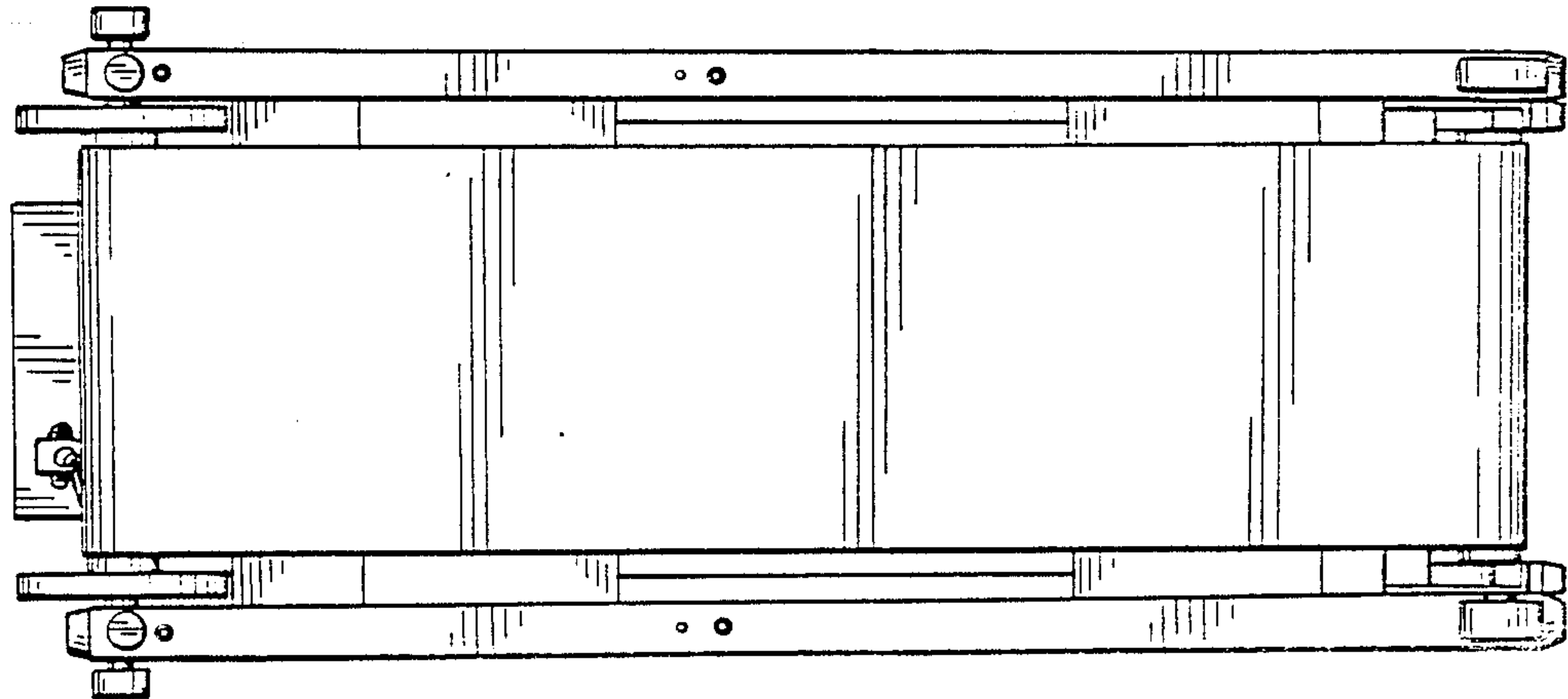
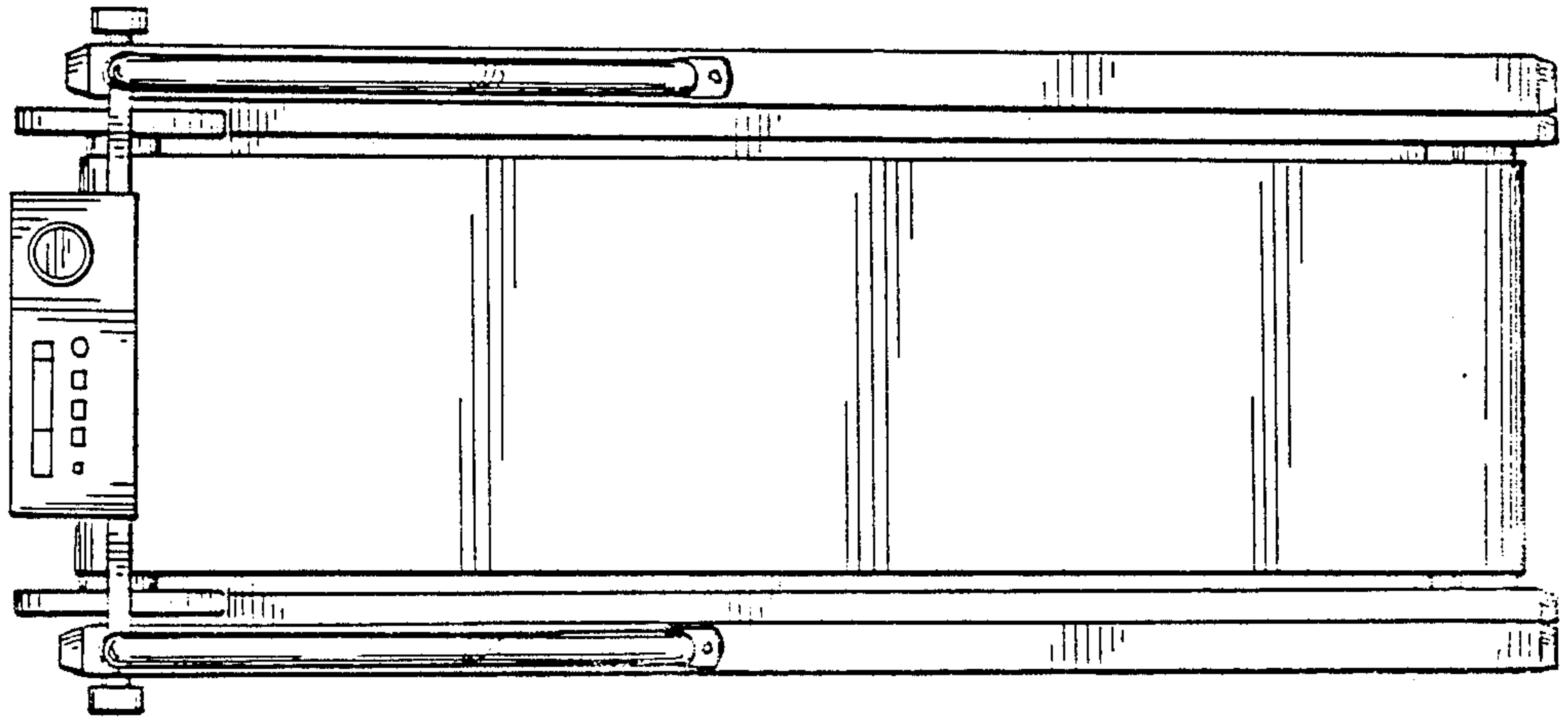


FIG. 6