

[54] **EXERCISE TREADMILL**  
 [75] **Inventors: James A. Trulaske; Frank R. Trulaske, both of County of St. Louis, Mo.**  
 [73] **Assignee: True Fitness Technology, Inc., O'Fallon, Mo.**  
 [\*\*] **Term: 14 Years**  
 [21] **Appl. No.: 922,550**  
 [22] **Filed: Oct. 23, 1986**

3,606,320 9/1971 Erwin, Jr. .  
 3,608,898 9/1971 Berlin .  
 3,643,943 2/1972 Erwin, Jr. .  
 3,659,845 5/1972 Quinton ..... 272/69  
 3,689,066 9/1972 Hagen .  
 3,703,284 11/1972 Hesen .  
 3,711,090 1/1973 Fiedler .  
 3,711,812 1/1973 Cherry .  
 3,731,917 5/1973 Townsend .  
 3,737,163 6/1973 Sumrall .  
 3,826,491 7/1974 Elder .  
 4,066,257 1/1978 Moller .  
 4,227,487 10/1980 Davis .  
 4,274,625 6/1981 Gaetano .  
 4,334,676 6/1982 Schönenberger .  
 4,342,452 8/1982 Summa .  
 4,344,616 8/1982 Ogden .  
 4,350,336 9/1982 Hanford .

**Related U.S. Application Data**

[63] Continuation-in-part of Ser. No. 647,690, Sep. 6, 1984, Pat. No. D. 289,312.  
 [52] **U.S. Cl. .... D21/192**  
 [58] **Field of Search ..... D21/191-198; 272/69, 65**

[56] **References Cited**  
**U.S. PATENT DOCUMENTS**

D. 207,541 5/1967 Hesen .  
 D. 211,801 7/1968 Quinton ..... D21/192  
 D. 232,446 8/1974 Townsend .  
 D. 270,555 9/1983 Ogden .  
 D. 273,029 3/1984 Kullenberg .  
 D. 280,002 8/1985 Smith ..... D21/192  
 D. 289,312 4/1987 Trulaske et al. .... D21/192  
 1,766,089 6/1930 Wood .  
 1,824,406 9/1931 Petersime .  
 1,919,627 7/1933 Fitzgerald .  
 2,969,768 1/1961 Grant .  
 3,118,315 1/1964 Loosli .  
 3,332,683 7/1967 Rand .  
 3,554,541 1/1971 Seaman .

**OTHER PUBLICATIONS**

Amerec 930e Precision Running Machine Brochure, ©1983.

*Primary Examiner*—Charles A. Rademaker  
*Attorney, Agent, or Firm*—Polster, Polster and Lucchesi

[57] **CLAIM**

The ornamental design for an exercise treadmill, as shown and described.

**DESCRIPTION**

FIG. 1 is a perspective view of an exercise treadmill, showing our new design;  
 FIG. 2 is a right side elevational view, the left side elevational view being a mirror image thereof;  
 FIG. 3 is a rear elevational view;  
 FIG. 4 is a top plan view;  
 FIG. 5 is a front elevational view; and  
 FIG. 6 is a bottom plan elevational view.

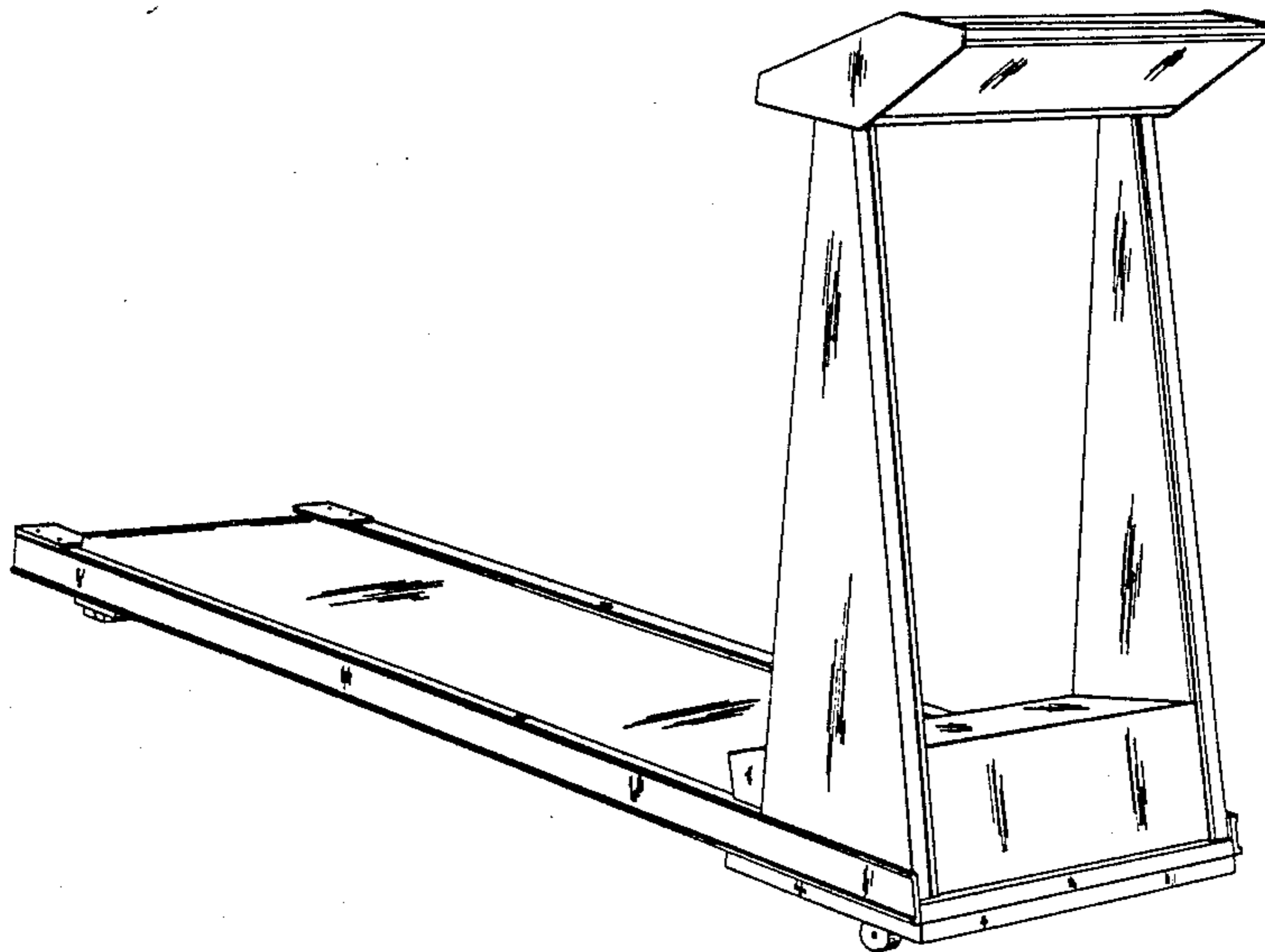


FIG. 1

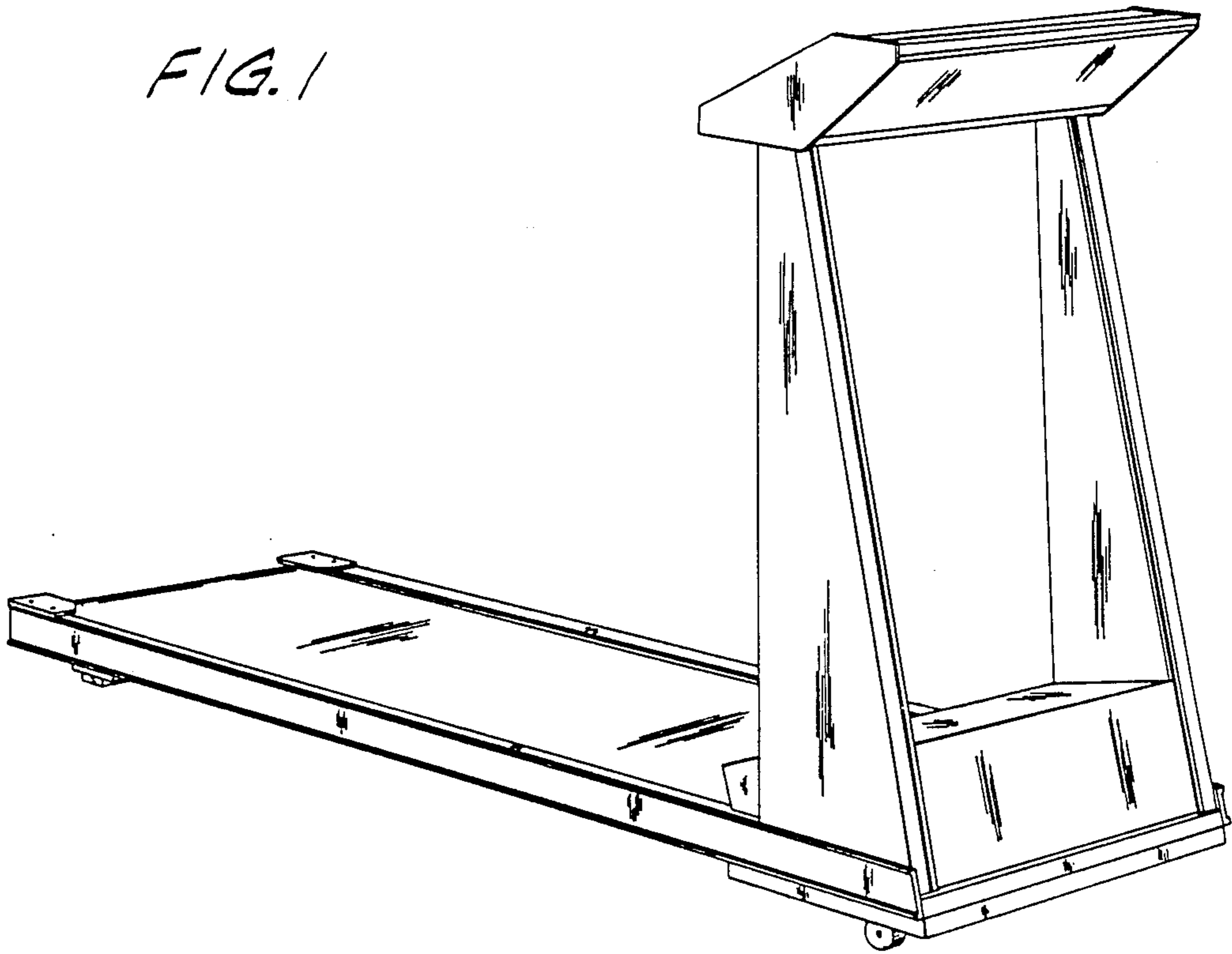


FIG. 2

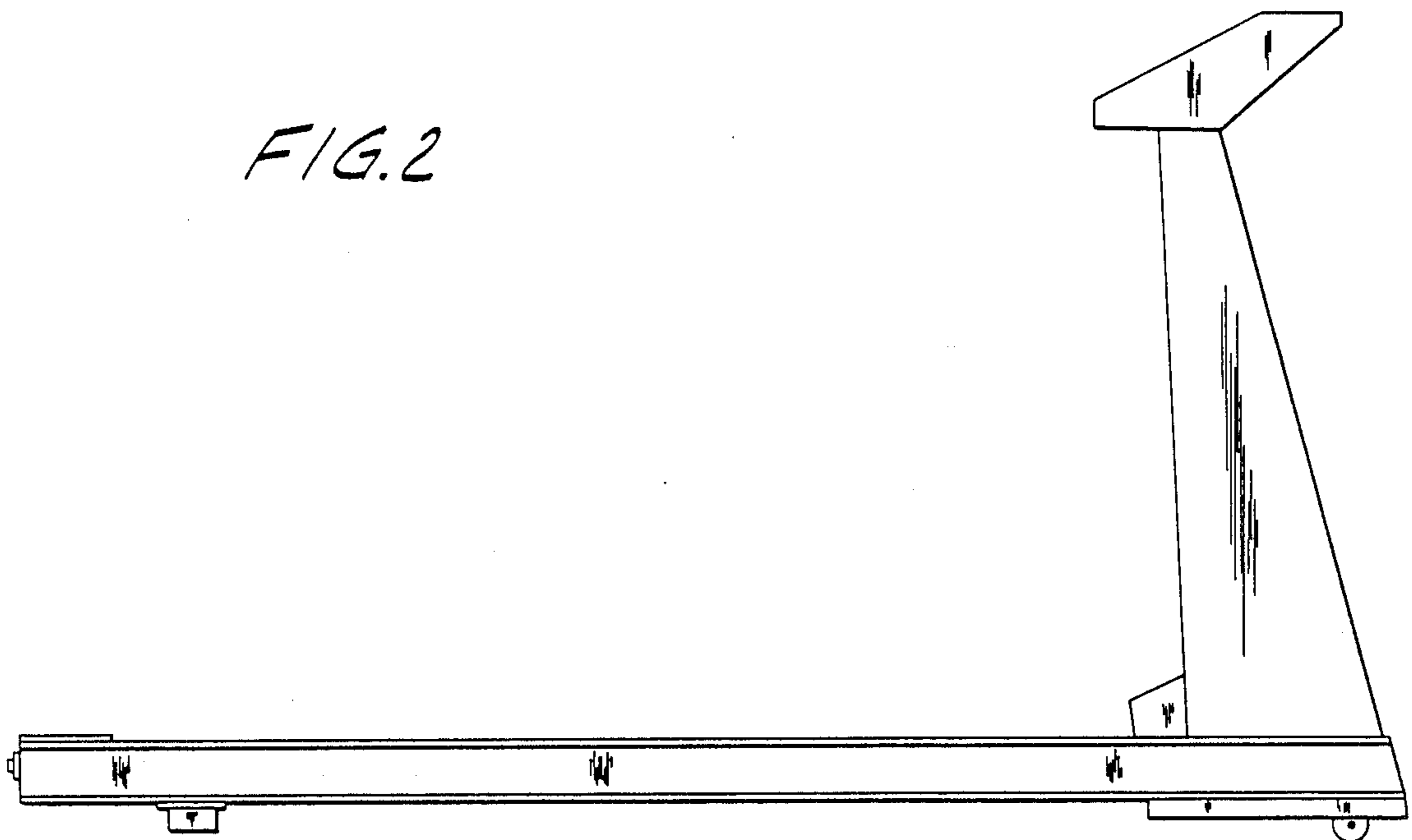


FIG. 3

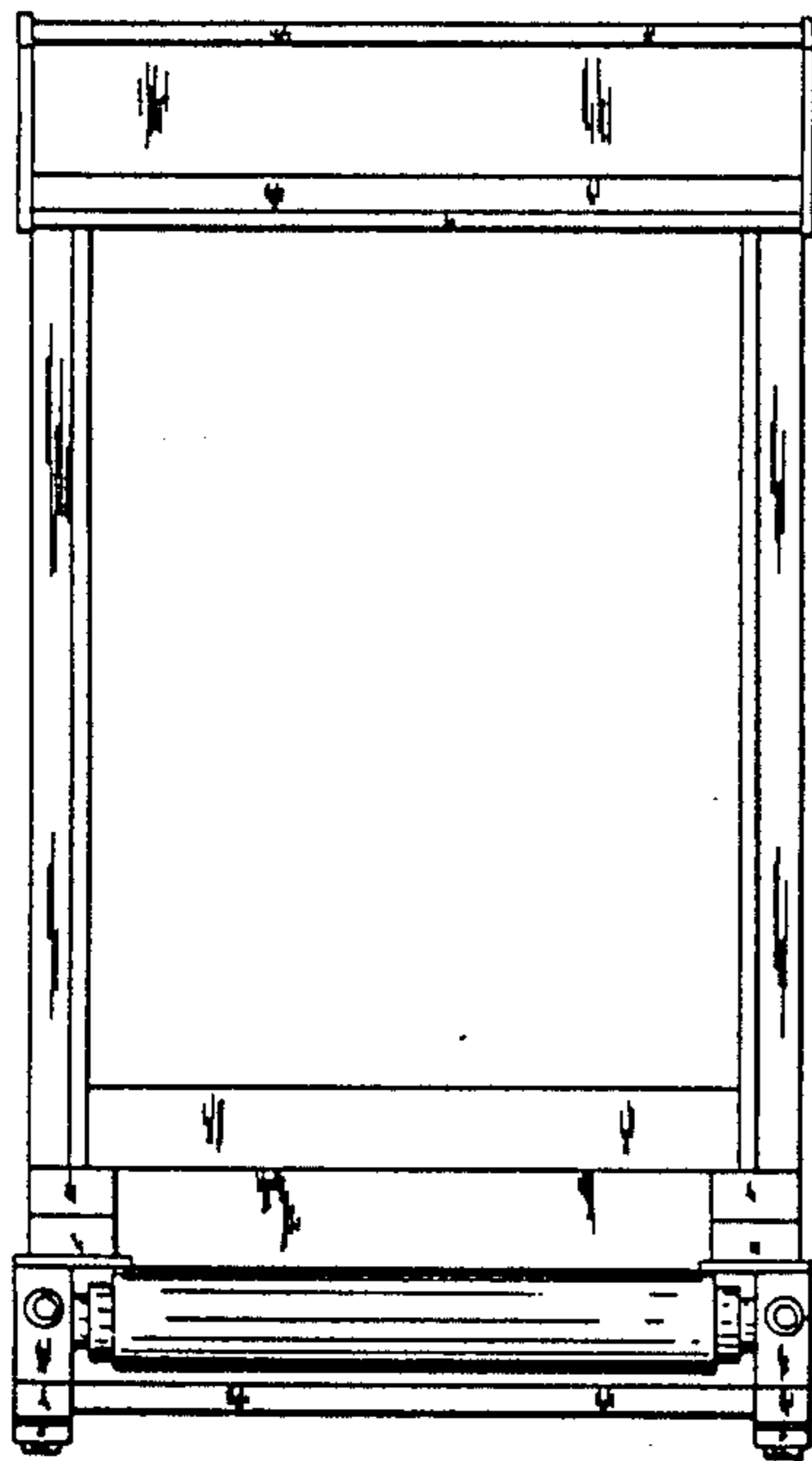


FIG. 5

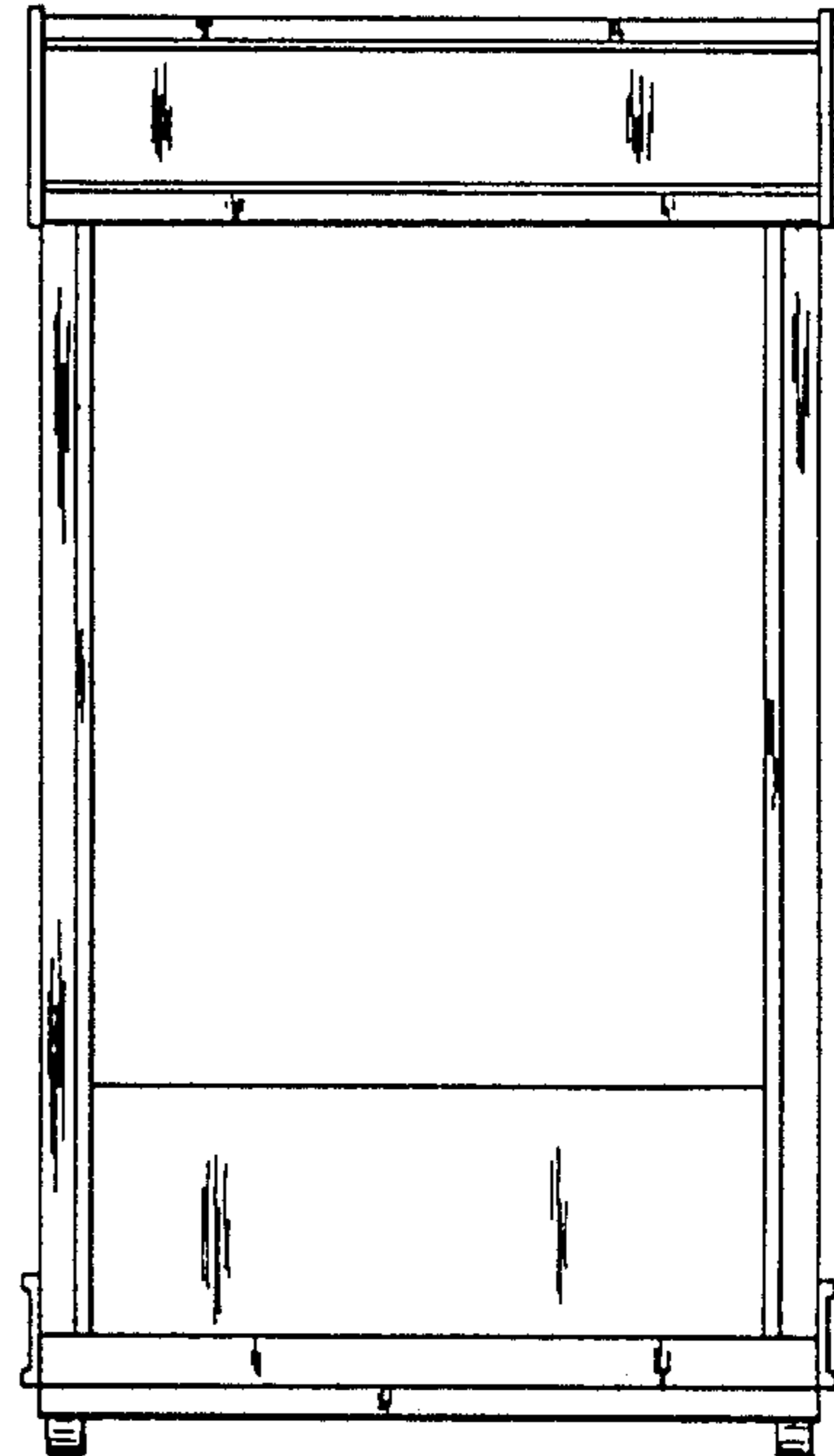


FIG. 4

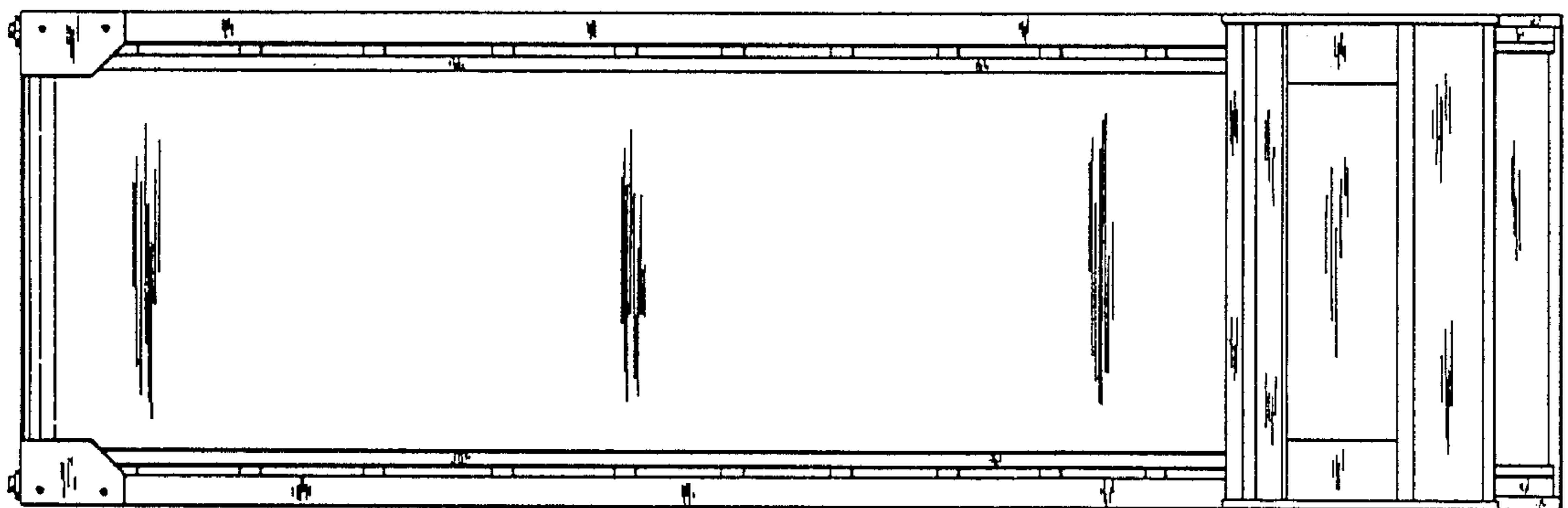


FIG. 6

