

[54] **OFFICE GADGET ORGANIZER**

[75] **Inventors: Jane Ancona; Bruce Ancona, both of New York, N.Y.**

[73] **Assignee: M. Kamenstein, Inc., White Plains, N.Y.**

[ \* ] **Notice: The portion of the term of this patent subsequent to Jan. 17, 2006 has been disclaimed.**

[\*\*] **Term: 14 Years**

[21] **Appl. No.: 273,864**

[22] **Filed: Nov. 21, 1988**

**Related U.S. Application Data**

[63] **Continuation-in-part of Ser. No. 144,081, Jan. 15, 1988.**

[52] **U.S. Cl. .... D19/77; D19/65; D19/75; D19/85**

[58] **Field of Search ..... D19/65, 35, 75, 77, D19/81, 84, 85, 95; 206/214**

[56] **References Cited**

**U.S. PATENT DOCUMENTS**

D. 299,402 1/1989 Ancona et al. .... D7/73  
3,327,688 6/1967 Smith ..... 206/214

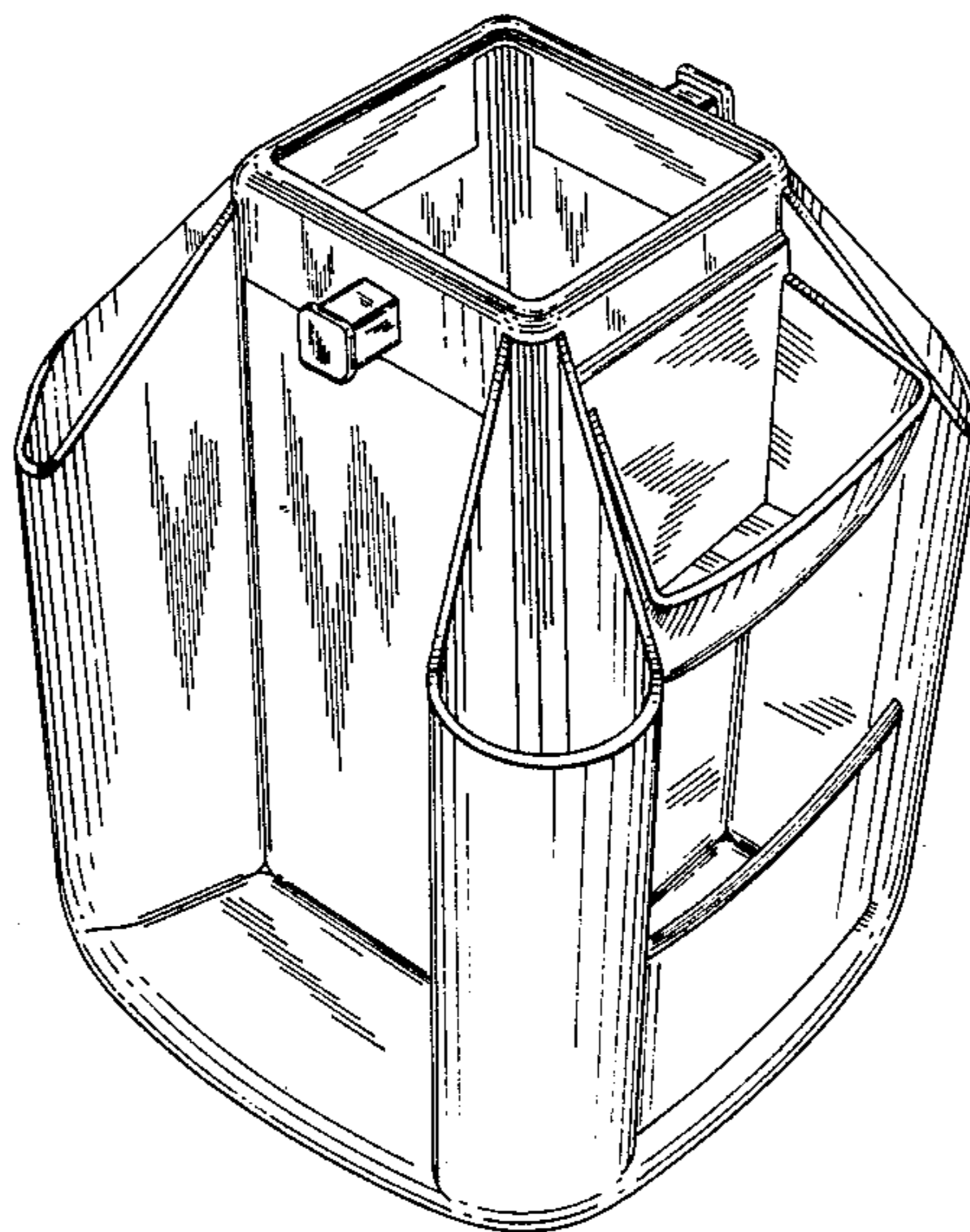
*Primary Examiner*—Bruce W. Dunkins  
*Assistant Examiner*—Martha Thompson  
*Attorney, Agent, or Firm*—Henry R. Lerner

[57] **CLAIM**

The ornamental design for an office gadget organizer, as shown and described.

**DESCRIPTION**

FIG. 1 is a perspective view of an office gadget organizer showing our new design;  
FIG. 2 is a top plan view;  
FIG. 3 is a right side elevational view, the opposite side being a mirror image thereof;  
FIG. 4 is a front elevational view, the opposite side being a mirror image thereof;  
FIG. 5 is a bottom plan view; and  
FIG. 6 is a sectional view taken along the line 6—6 of FIG. 2.



*FIG. 1*

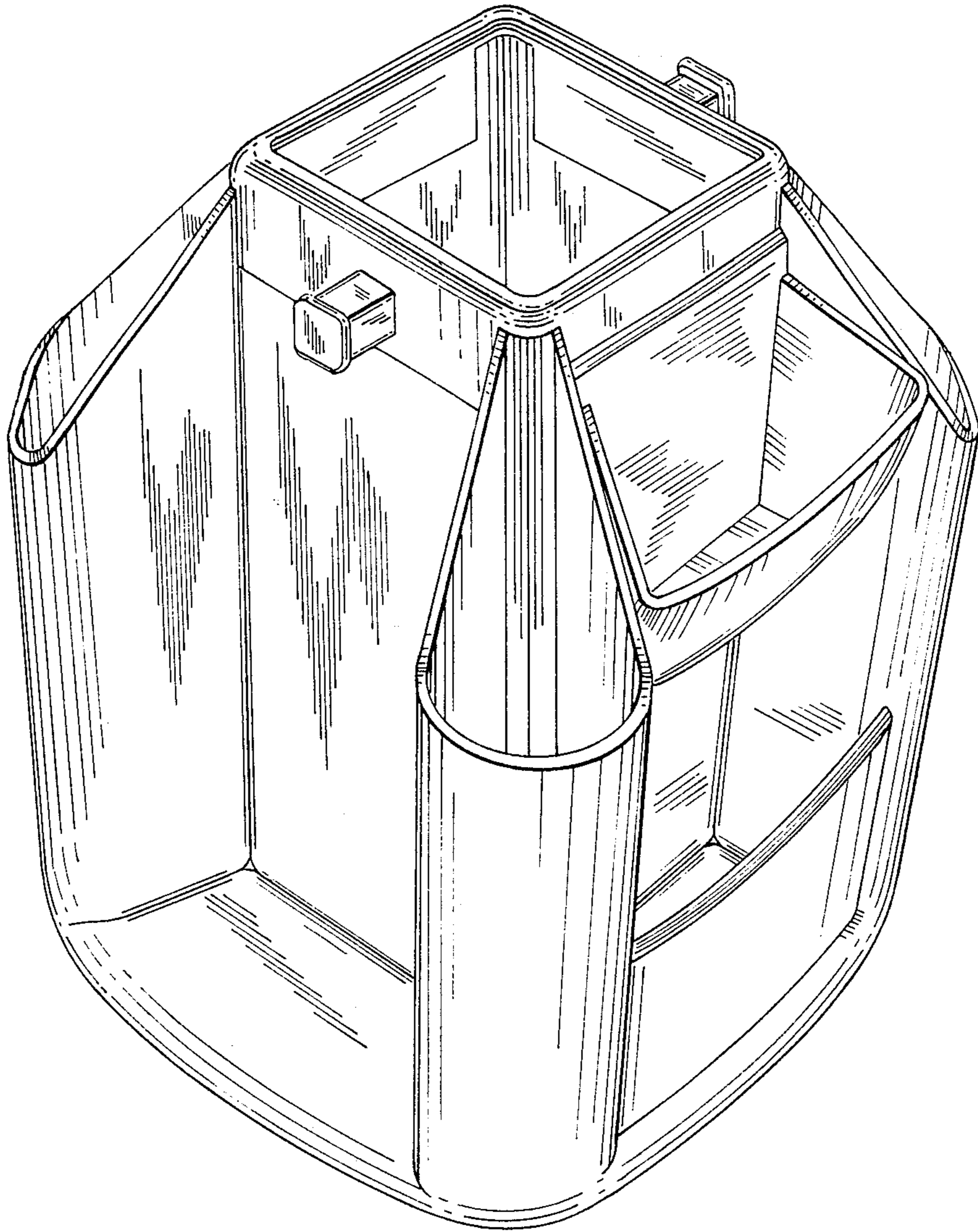


FIG. 3

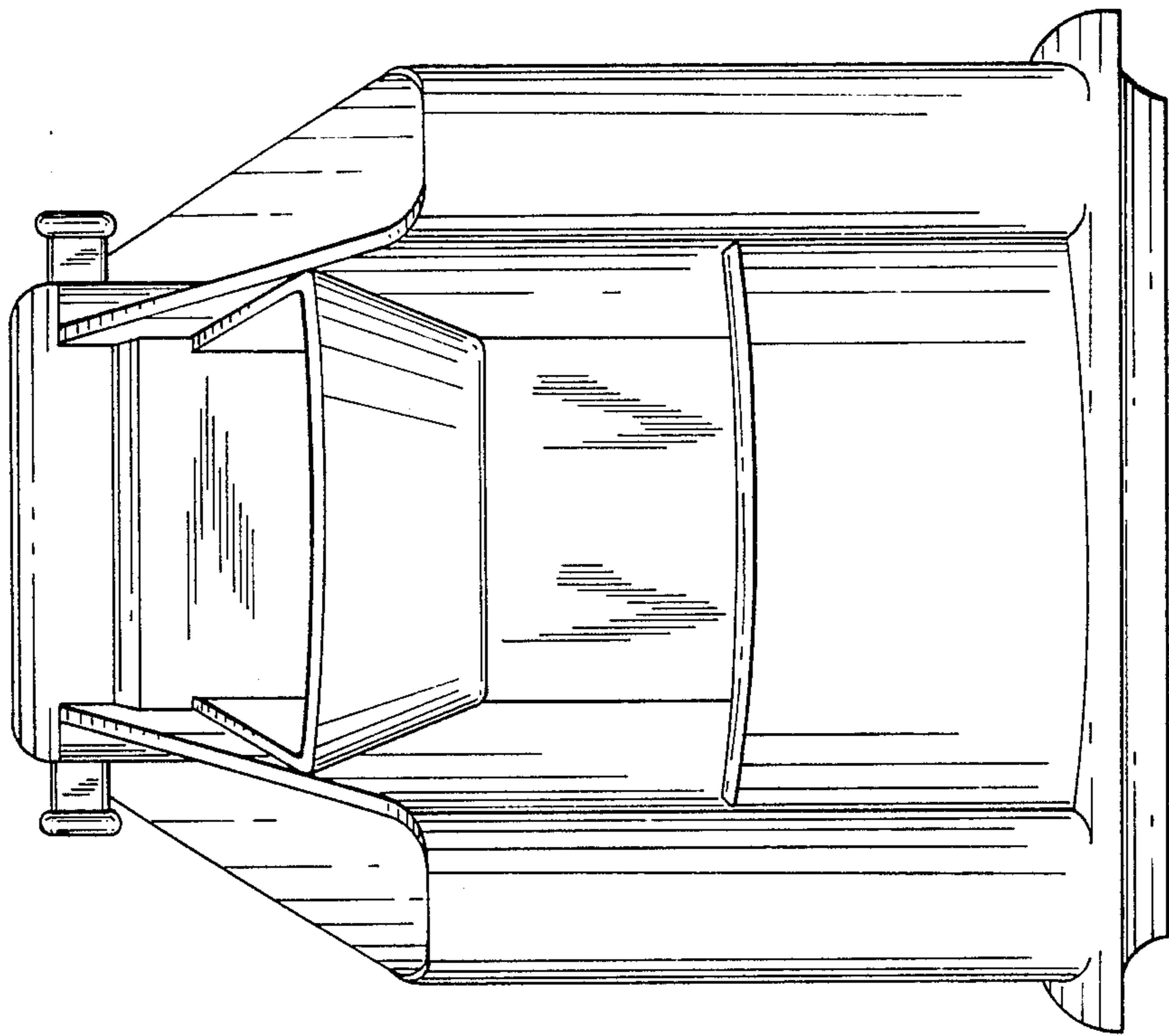
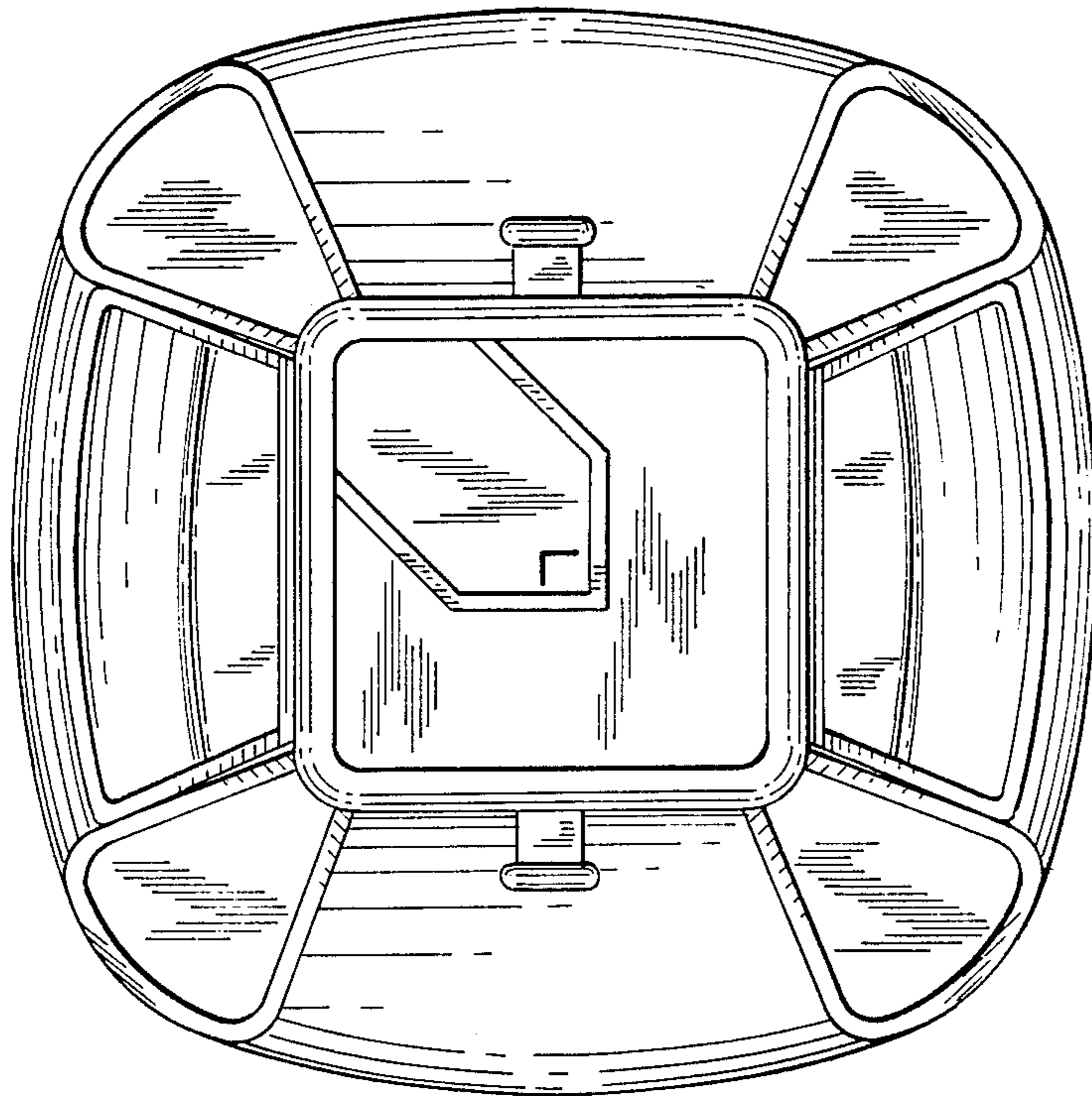


FIG. 2



6 ↗

↖ 6

FIG. 5

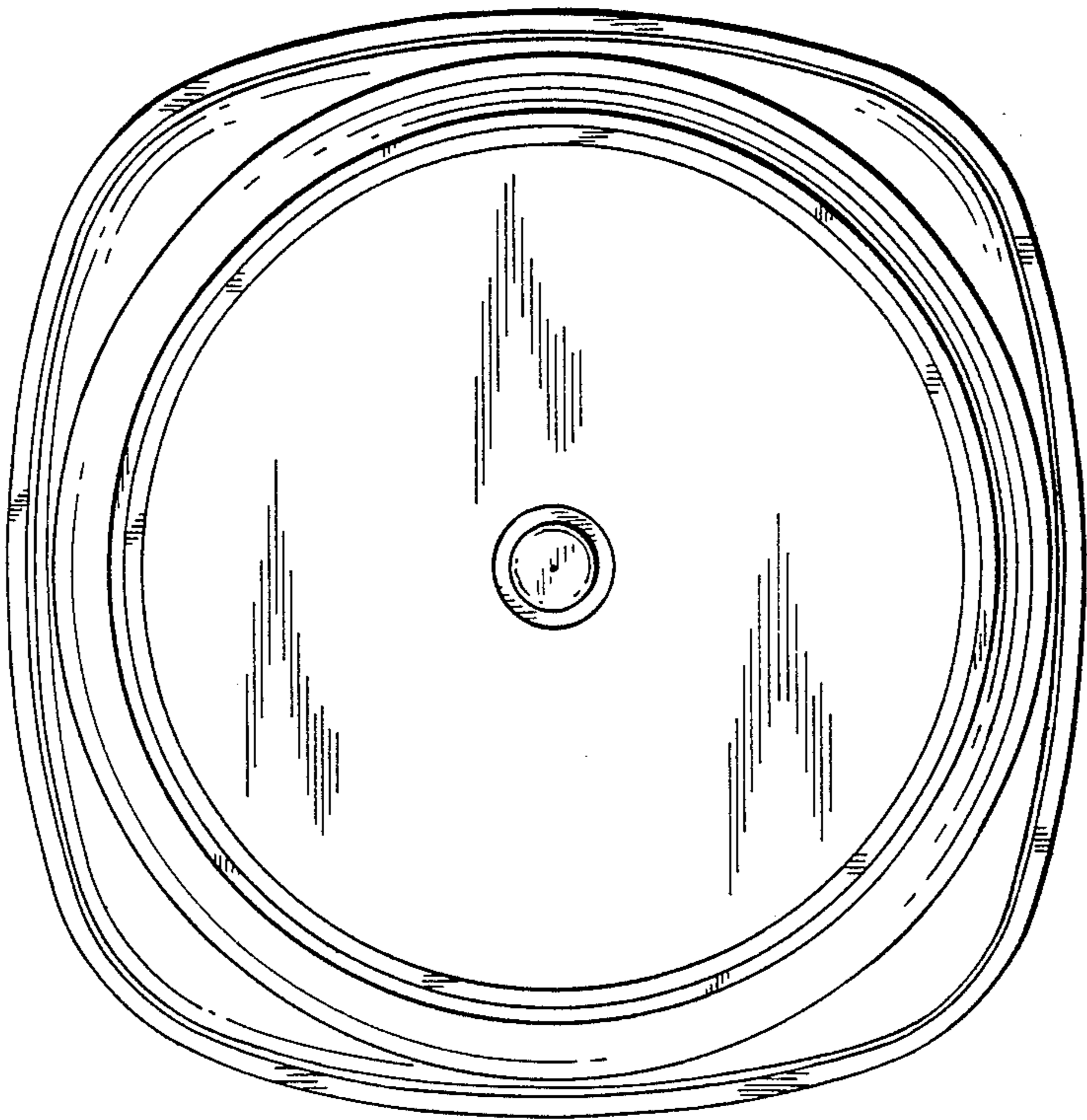


FIG. 4

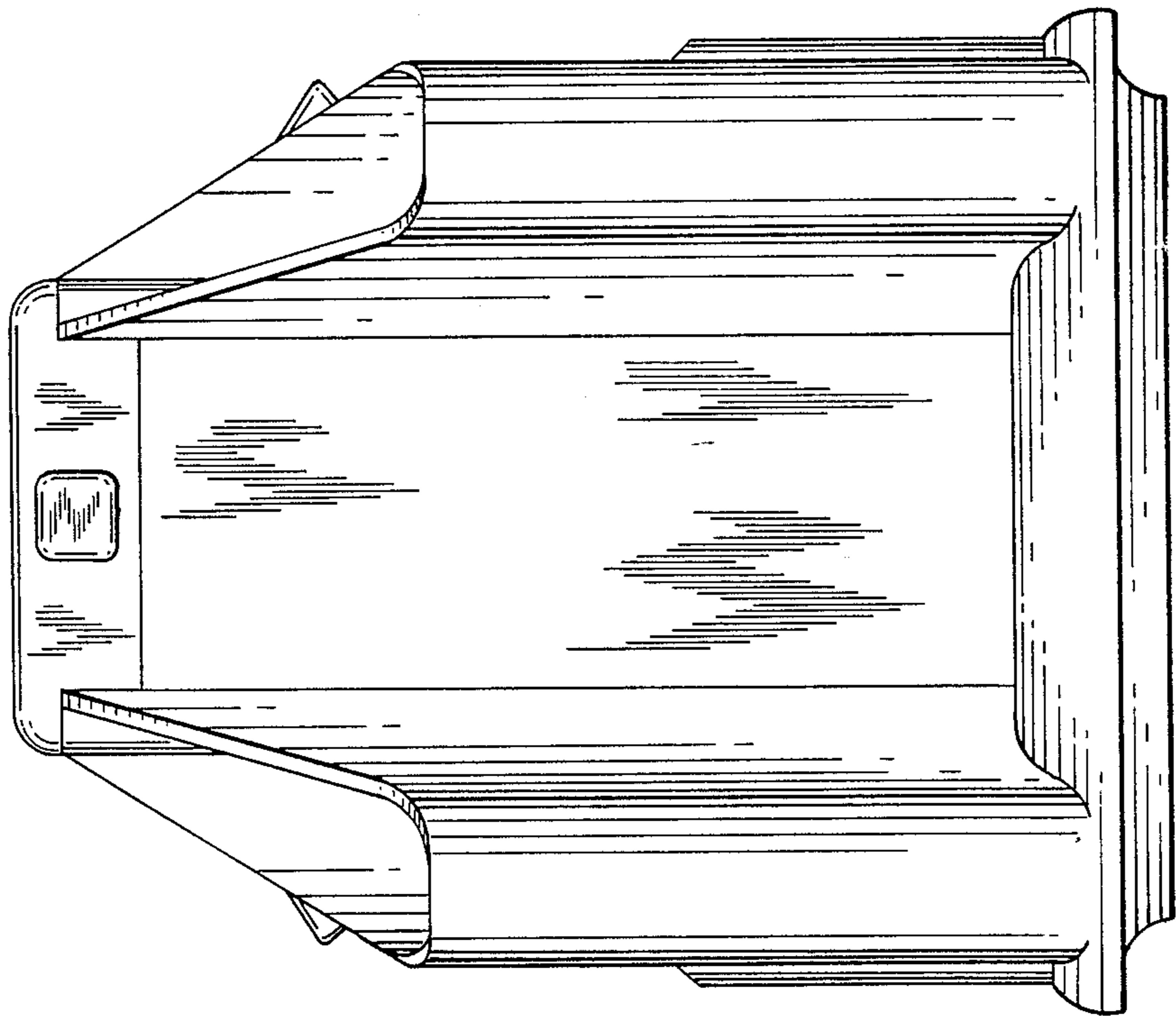


FIG. 6

