

United States Patent [19]

Szablak et al.

[11] Patent Number: **Des. 303,551**

[45] Date of Patent: **** Sep. 19, 1989**

[54] **PAPER CLIP HOLDER**

[75] Inventors: **Michael J. Szablak**, Stephens City;
Glen E. Tomblin, Winchester, both of Va.

[73] Assignee: **Rubbermaid Commercial Products, Inc.**, Winchester, Va.

[**] Term: **14 Years**

[21] Appl. No.: **923,714**

[22] Filed: **Oct. 24, 1986**

[52] U.S. Cl. **D19/75; D19/65**

[58] Field of Search **D19/65, 75, 92, 95,**
D19/99, 100; 206/214, 425

[56] **References Cited**

U.S. PATENT DOCUMENTS

D. 273,309 4/1984 Evenson D19/75

D. 286,165 10/1986 Rooney D19/75
D. 292,354 10/1987 Seltzer et al. D19/75 X

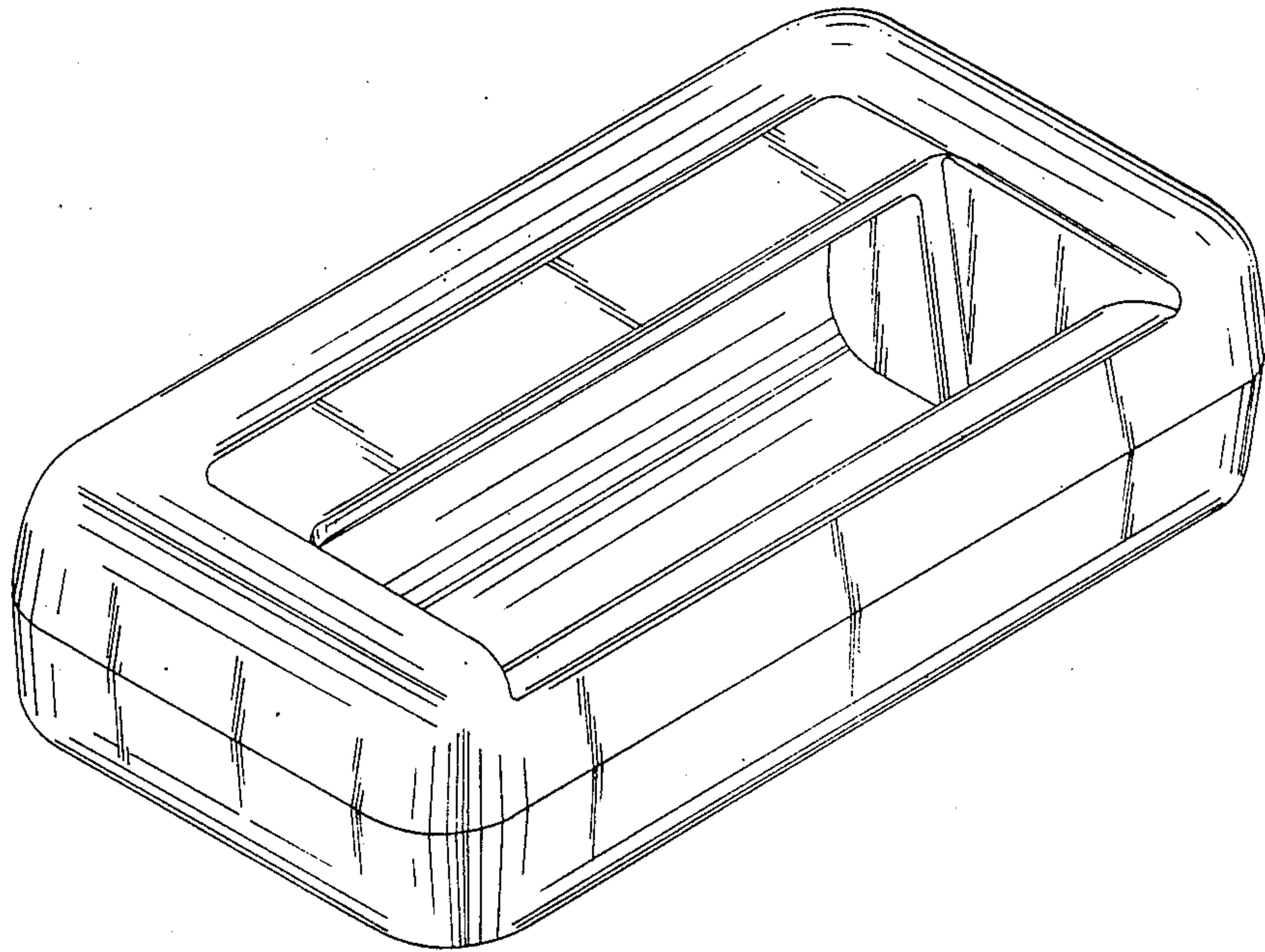
Primary Examiner—Bruce W. Dunkins
Assistant Examiner—Martha Thompson
Attorney, Agent, or Firm—Richard B. O'Planick

[57] **CLAIM**

The ornamental design for a paper clip holder, as shown and described.

DESCRIPTION

FIG. 1 is a front perspective view of a paper clip holder showing our new design;
FIG. 2 is a top plan view;
FIG. 3 is a front elevational view;
FIG. 4 is a side elevational view, the opposite side being a mirror image thereof;
FIG. 5 is a rear elevational view; and
FIG. 6 is a bottom plan view thereof.



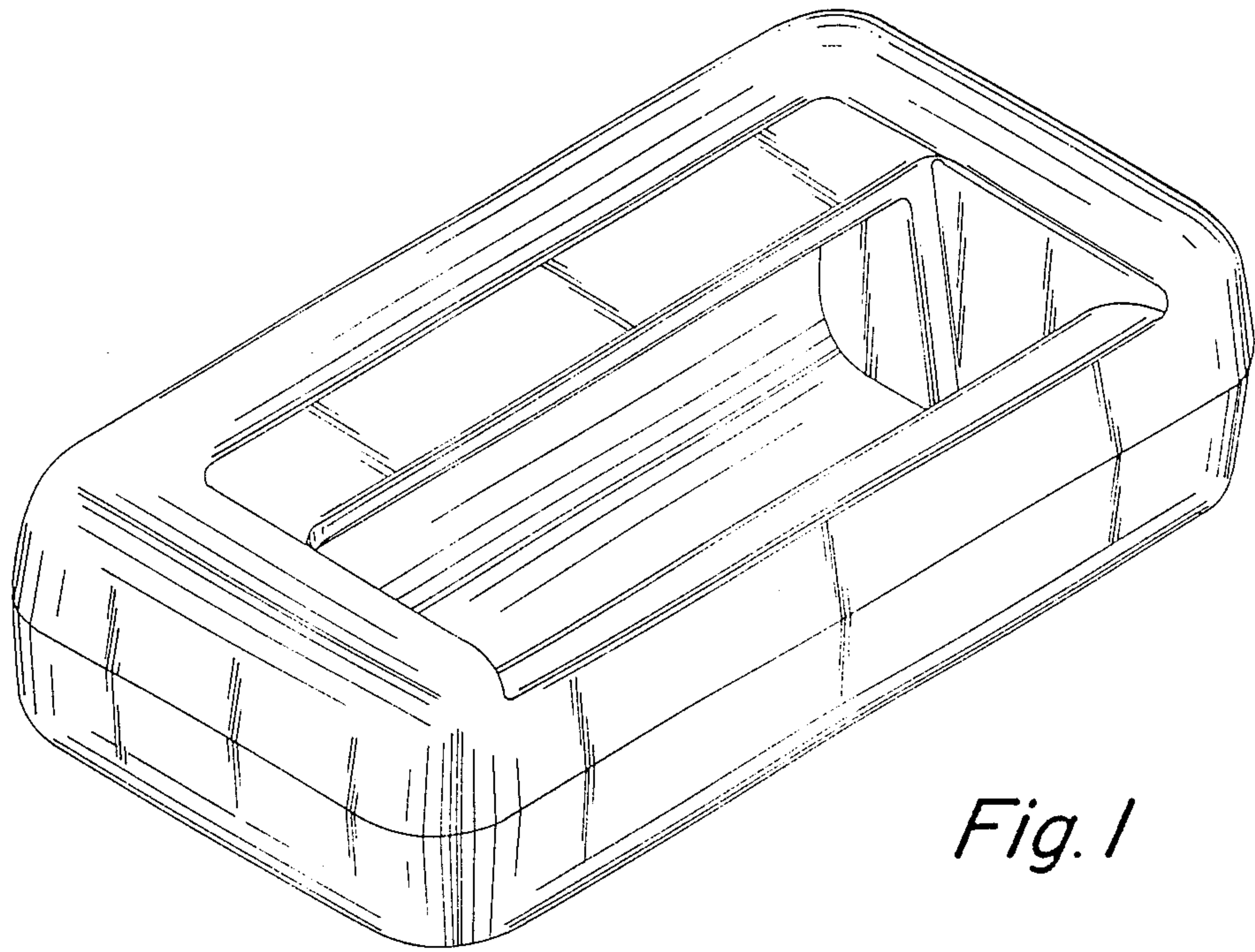


Fig. 1

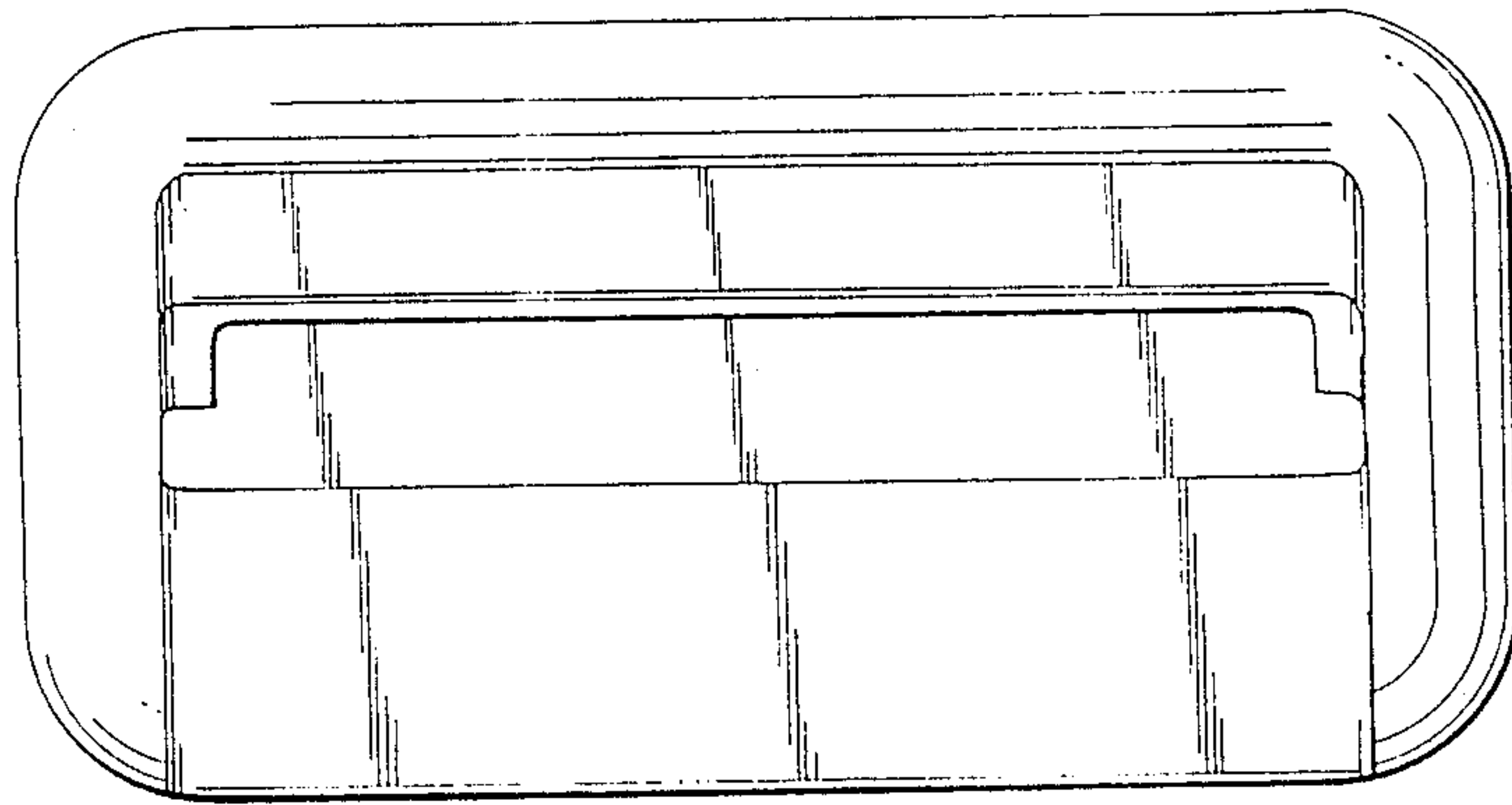


Fig. 2

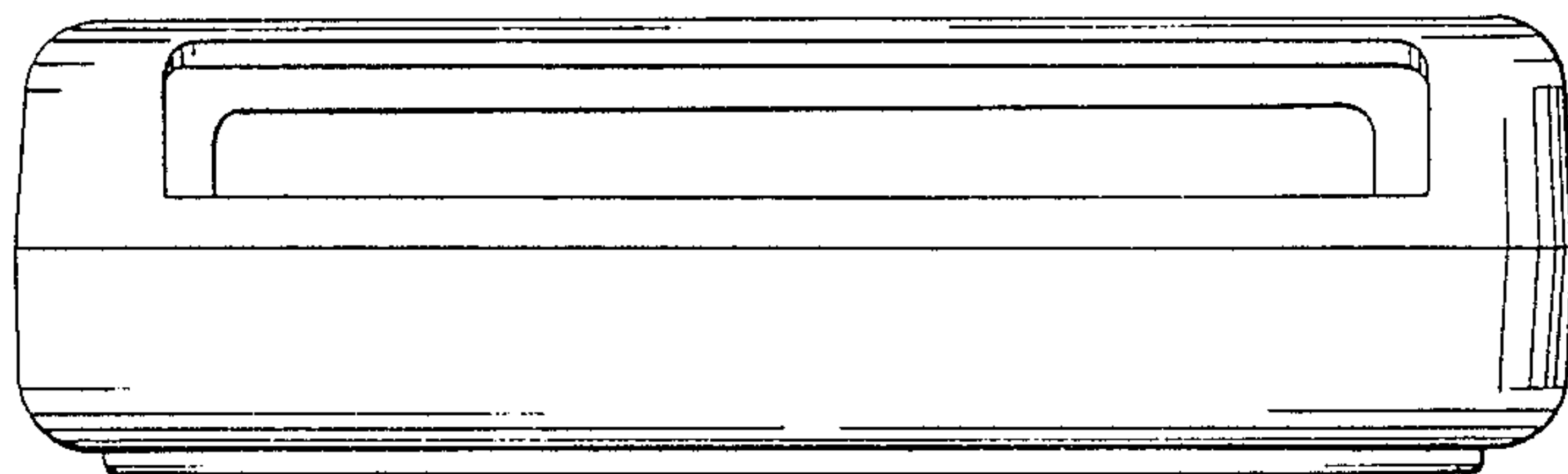


Fig. 3

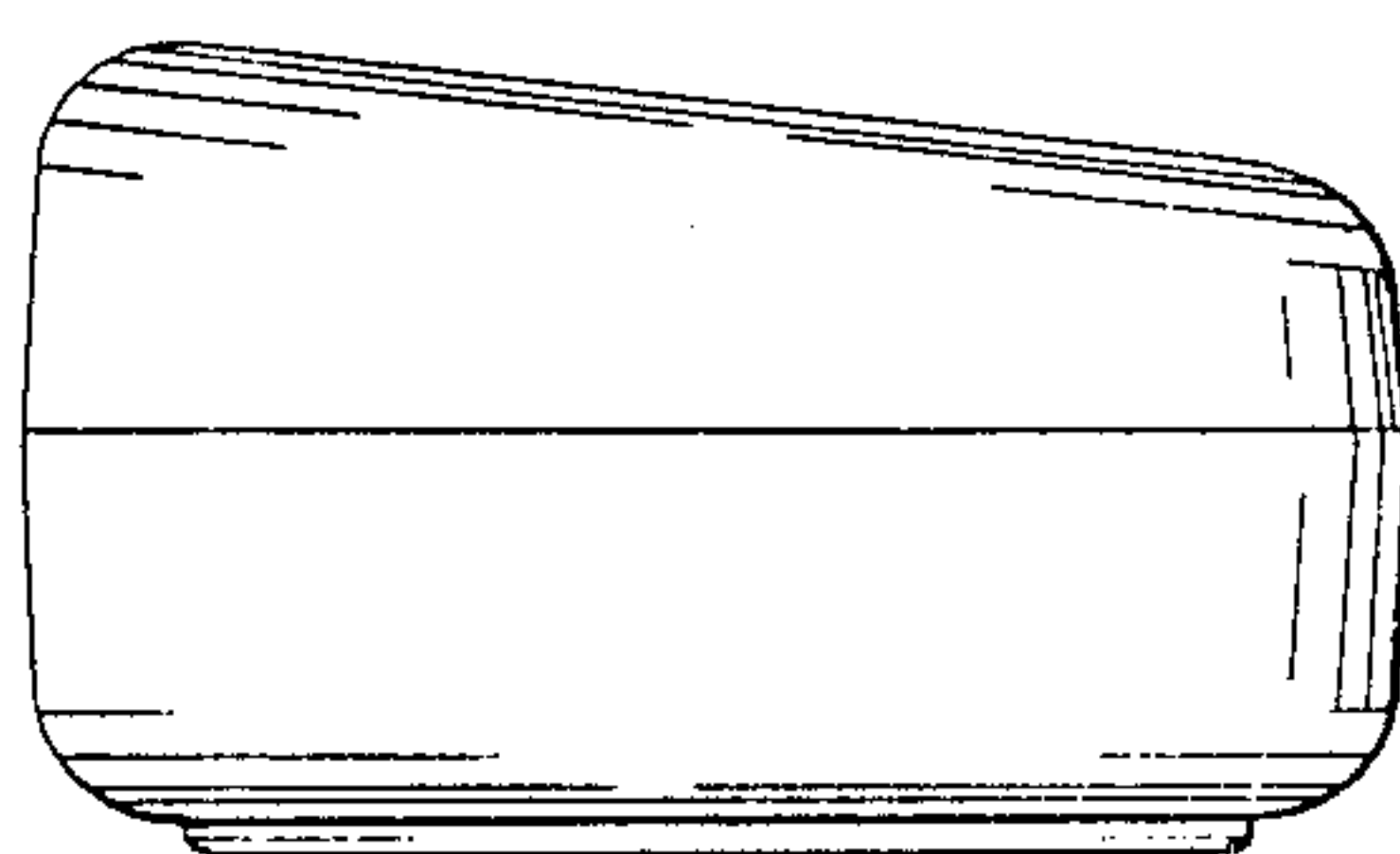


Fig. 4

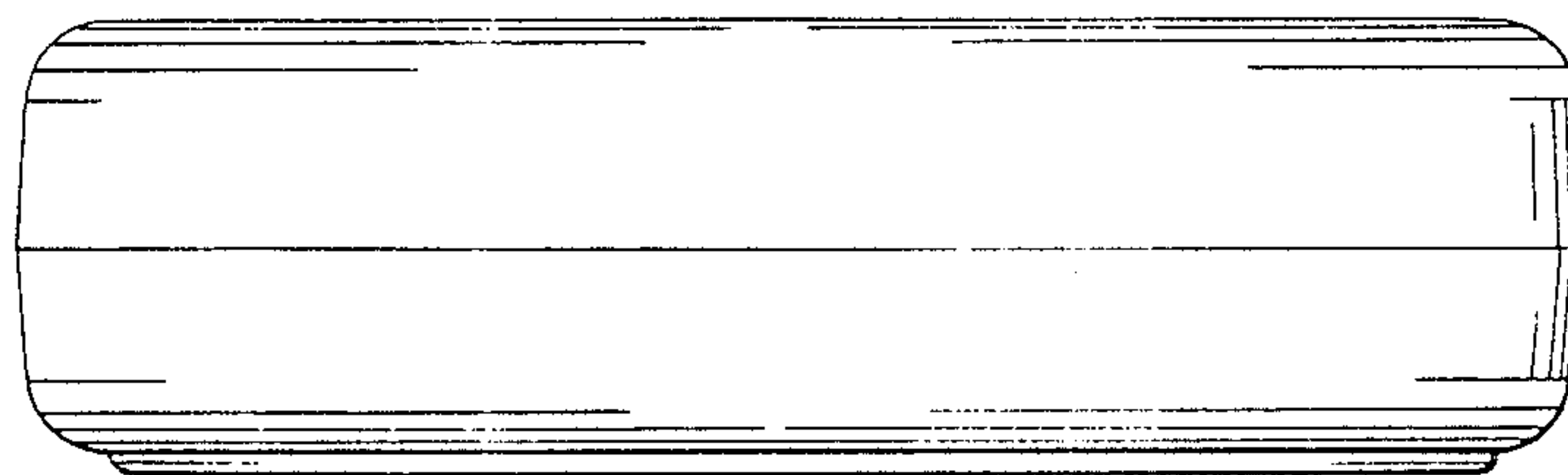


Fig. 5

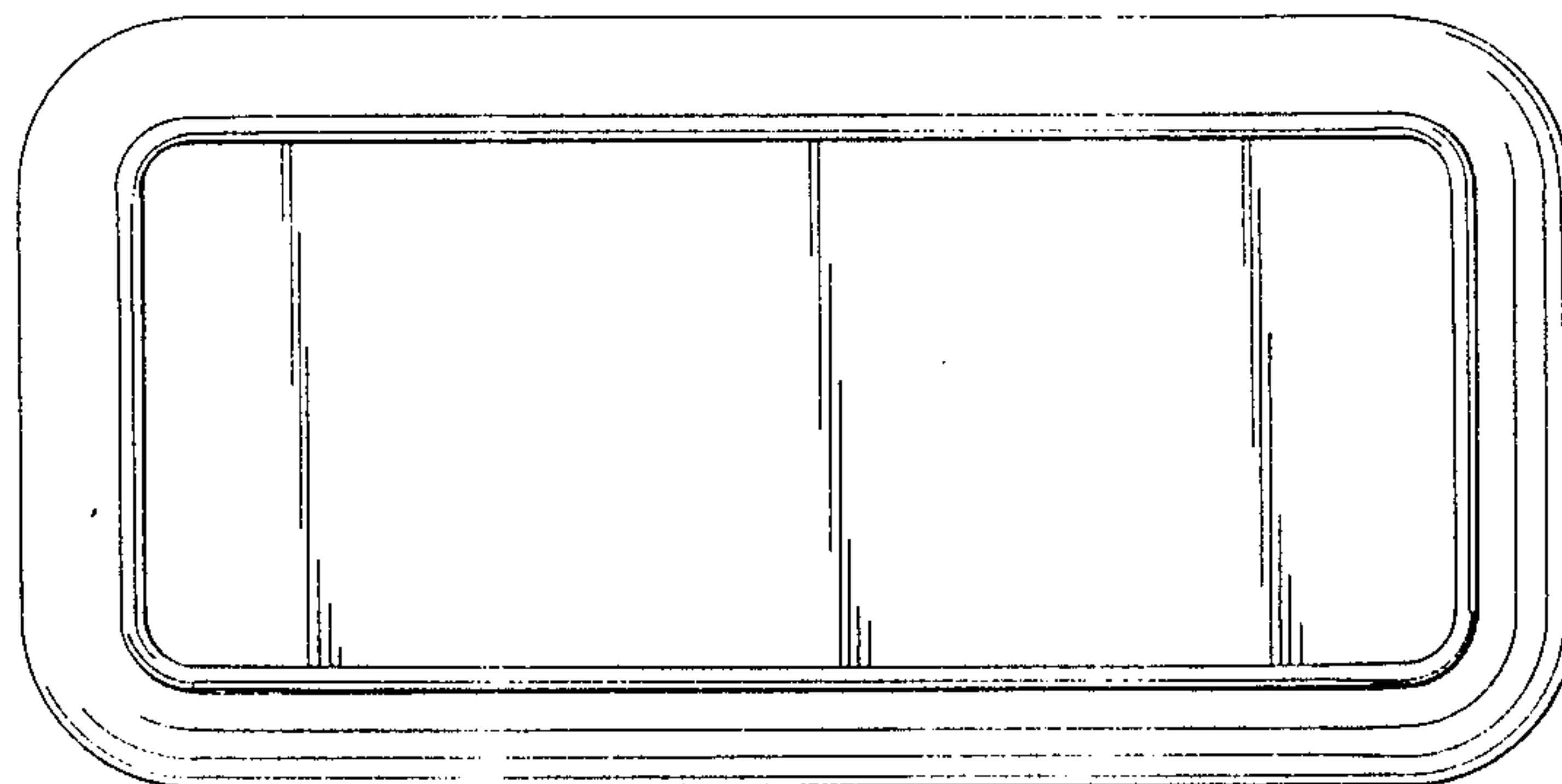


Fig. 6