

[54] DEVELOPING DEVICE FOR COPYING MACHINE

[75] Inventor: Yuichi Seki, Tokyo, Japan

[73] Assignee: Canon Kabushiki Kaisha, Tokyo, Japan

[**] Term: 14 Years

[21] Appl. No.: 943,588

[22] Filed: Dec. 19, 1986

[30] Foreign Application Priority Data

Jun. 24, 1986 [JP] Japan 61-24429

[52] U.S. Cl. D18/36

[58] Field of Search D18/36-44; 355/3 R, 3 DD, 3 DR, 14 R, 14 D

[56] References Cited

U.S. PATENT DOCUMENTS

- D. 276,916 12/1984 Masaki D18/36
- D. 286,297 10/1986 Clowe D18/36

- D. 286,541 11/1986 Takahashi D18/36
- D. 286,542 11/1986 Saito D18/36
- 4,540,268 9/1985 Toyono 355/3 R
- 4,591,258 5/1986 Nishino 355/3 R
- 4,598,993 7/1986 Mizutani 355/3 R
- 4,750,015 6/1988 Ogura 355/3 DD

Primary Examiner—Nelson C. Holtje
Attorney, Agent, or Firm—Fitzpatrick, Cella, Harper & Scinto

[57] CLAIM

The ornamental design for a developing device for copying machine, as shown and described.

DESCRIPTION

FIG. 1 is a front elevational view of a developing device for copying machine showing my new design; FIG. 2 is a rear elevational view thereof; FIG. 3 is a top plan view thereof; FIG. 4 is a bottom plan view thereof; FIG. 5 is a left side elevational view thereof; FIG. 6 is a right side elevational view thereof; and FIG. 7 is a perspective view thereof.

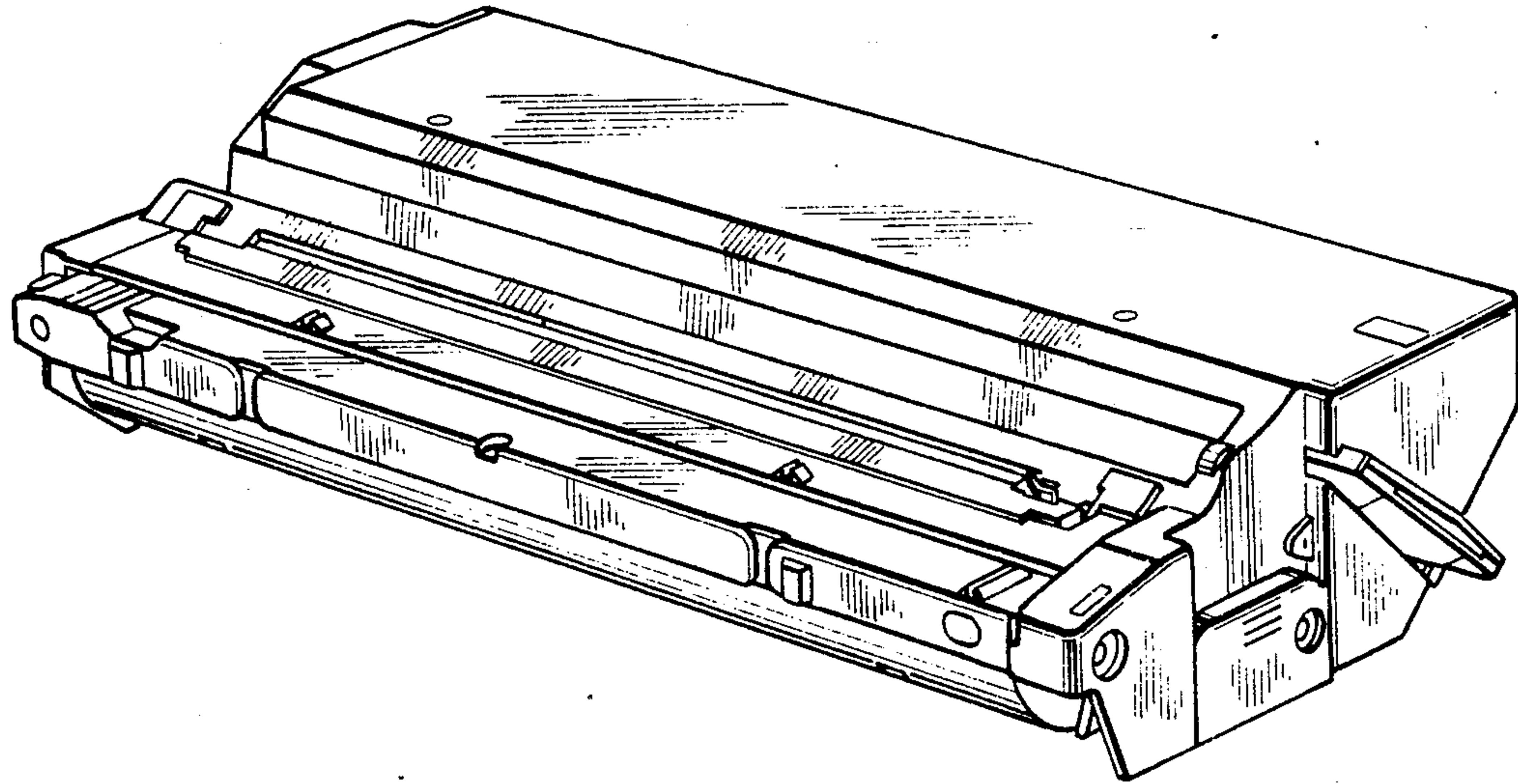


FIG. 1

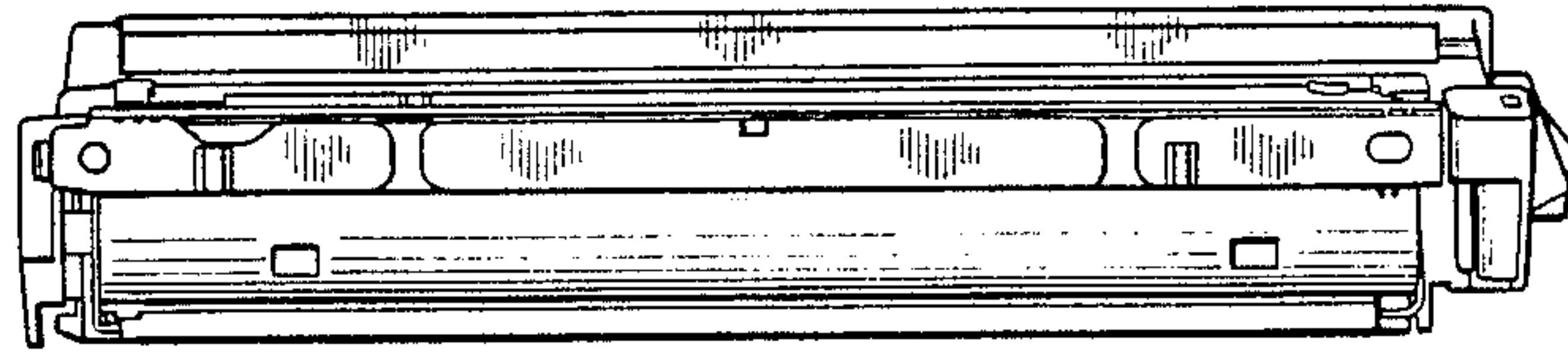


FIG. 2

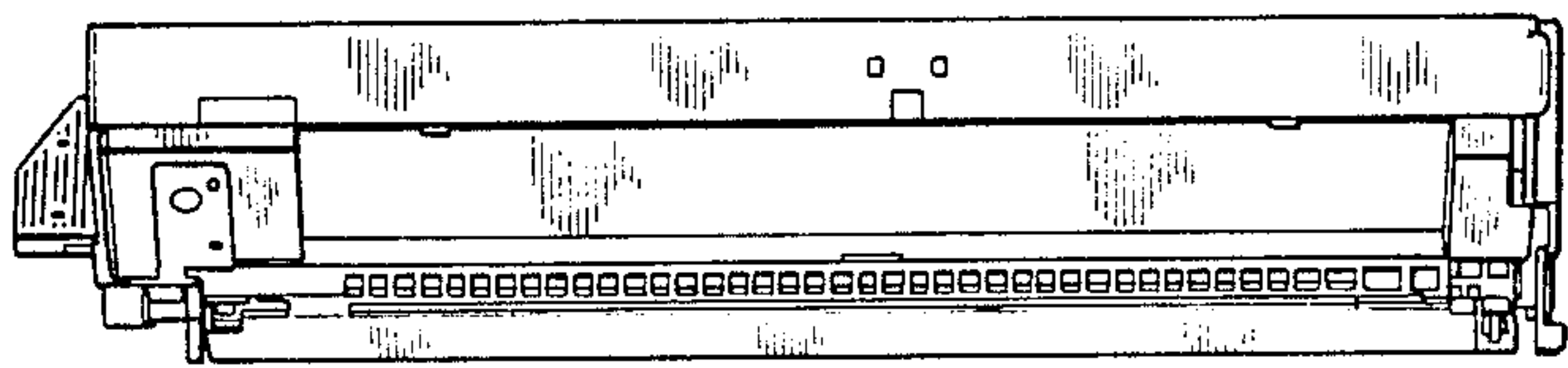


FIG. 3

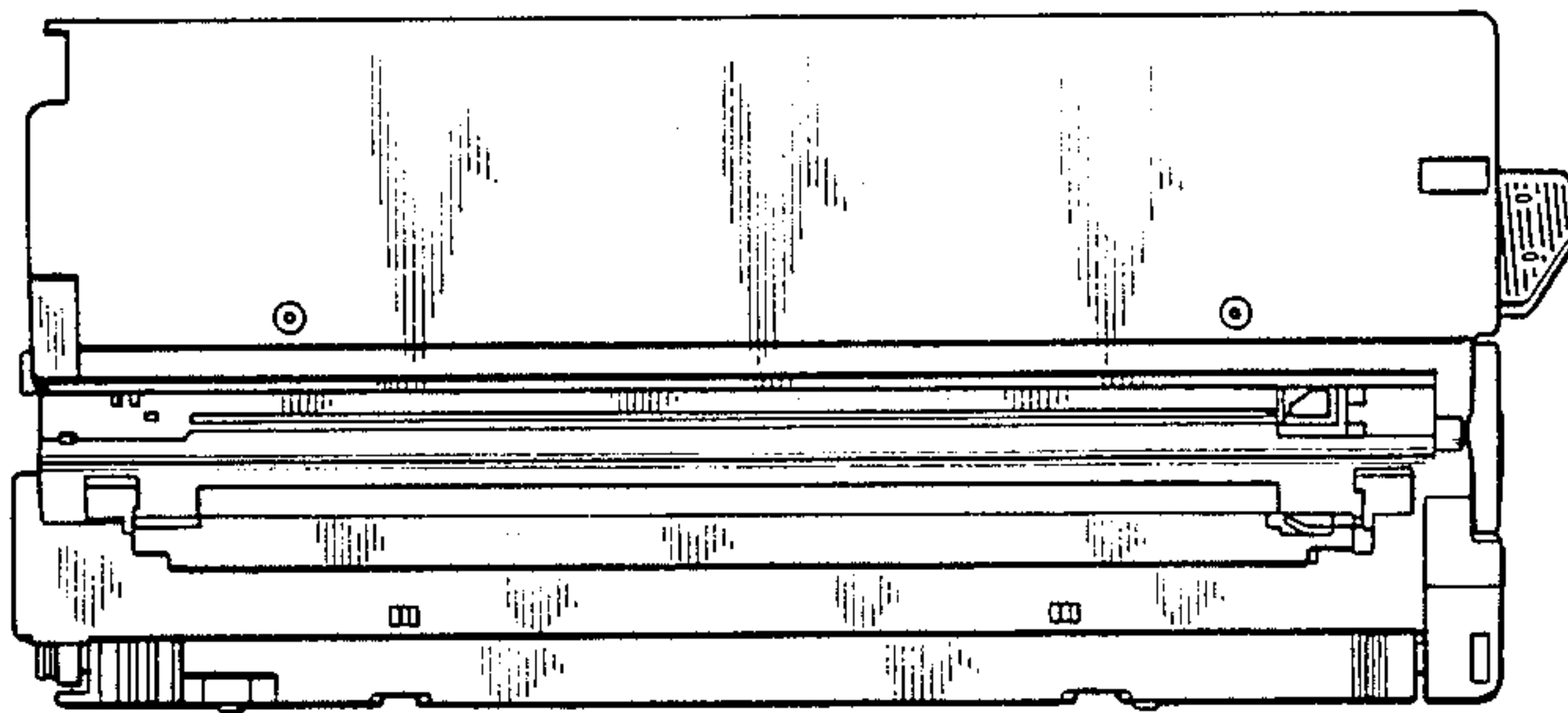


FIG. 4

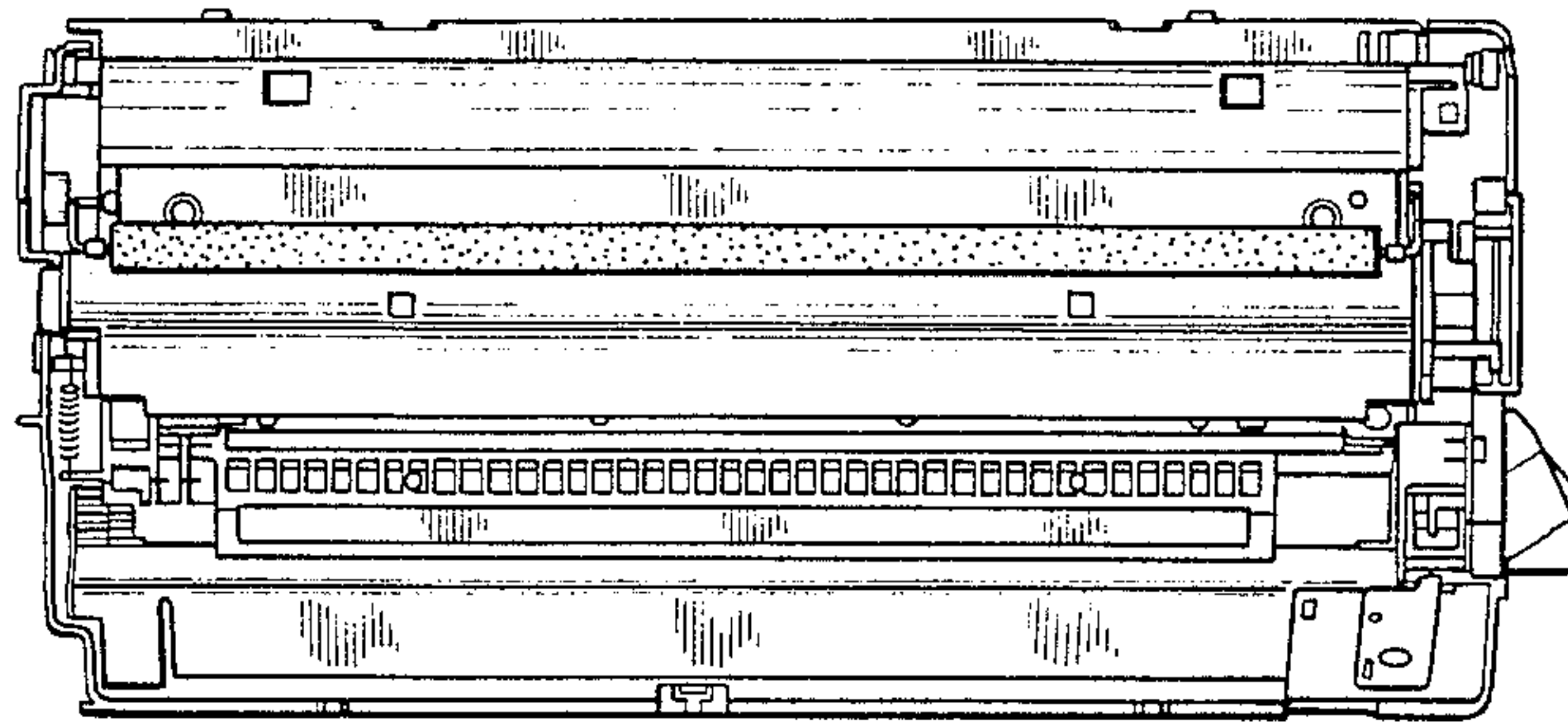


FIG. 5

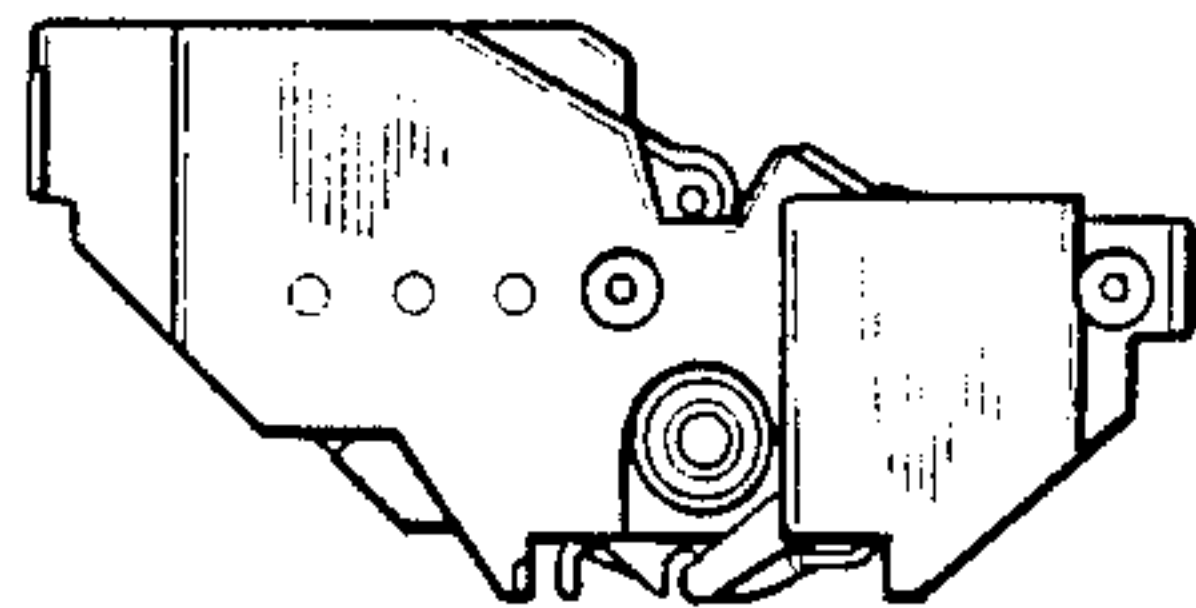


FIG. 6

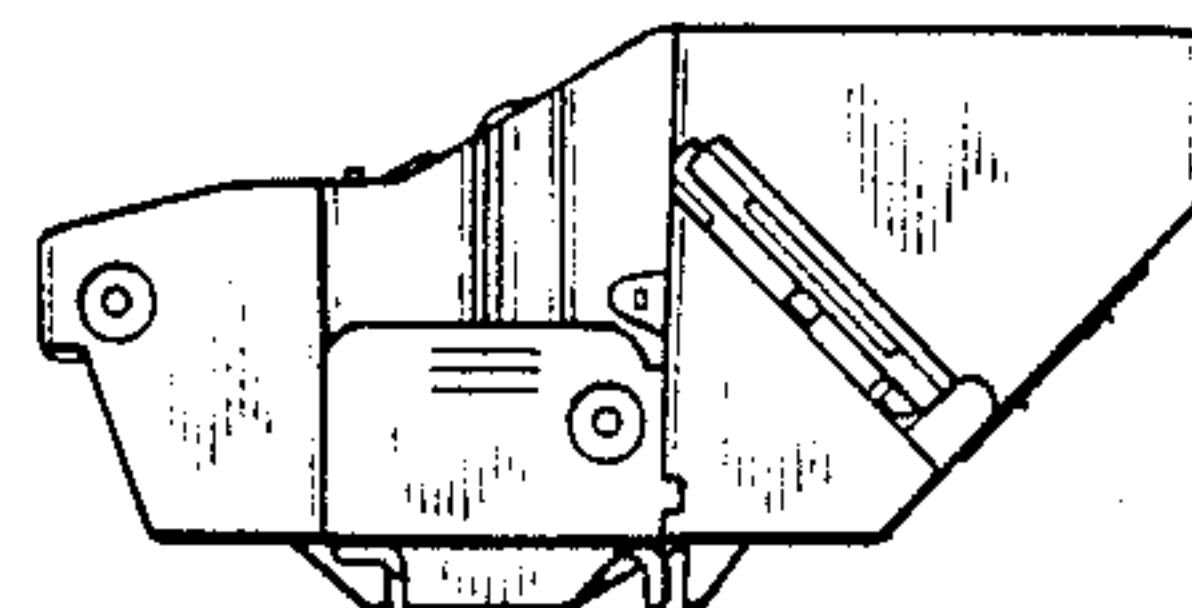


FIG. 7

