

[54] CASH REGISTER OR SIMILAR ARTICLE

[75] Inventors: Shuzo Kato, Hiratsuka; Satoru Sakama, Isehara; Asami Nemoto, Odawara, all of Japan

[73] Assignee: NCR Corporation, Dayton, Ohio

[*] Notice: The portion of the term of this patent subsequent to Sep. 19, 2003 has been disclaimed.

[**] Term: 14 Years

[21] Appl. No.: 226,346

[22] Filed: Jul. 25, 1988

[30] Foreign Application Priority Data

Mar. 25, 1988 [JP] Japan 63-11799

[52] U.S. Cl. D18/4

[58] Field of Search D18/2-5; D14/100, 105, 106; D99/28; 235/1 D, 7 R, 379-383; 364/404, 405

[56] References Cited

U.S. PATENT DOCUMENTS

- D. 220,720 5/1971 Kitai D18/4
D. 238,962 2/1976 Webb D18/4
D. 241,572 9/1976 Dobashi et al. D18/4
D. 259,264 5/1981 Schuldt D18/4
D. 261,003 9/1981 Jinbo et al. D18/4
D. 269,441 6/1983 Matsuda et al. D18/4

- D. 279,382 6/1985 Hori et al. D18/4
4,084,238 4/1978 Masuo 364/405
4,213,179 7/1980 Hamano et al. 364/405
4,276,598 6/1981 Inoue et al. 364/405
4,312,037 1/1982 Yamukita 364/405

OTHER PUBLICATIONS

- Office Products, Jan. 1979, p. 5.
Office Products Dealer, Jul. 1981, p. 4.
Office Products Dealer, Feb. 1982, p. 5.
Design 440, Aug. 1985, p. 43.

Primary Examiner—James R. Largen
Attorney, Agent, or Firm—Wilbert Hawk, Jr.; Albert L. Sessler, Jr.; George J. Muckenthaler

[57] CLAIM

The ornamental design for a cash register or similar article, as shown and described.

DESCRIPTION

FIG. 1 is a perspective view taken from the top, front and left side of a cash register or similar article showing our new design;
FIG. 2 is a front elevational view thereof;
FIG. 3 is a rear elevational view thereof;
FIG. 4 is a right side elevational view thereof;
FIG. 5 is a left side elevational view thereof;
FIG. 6 is a top plan view thereof; and
FIG. 7 is a perspective view taken from the top, front and left side of a modified form of the cash register or similar article shown in FIG. 1.

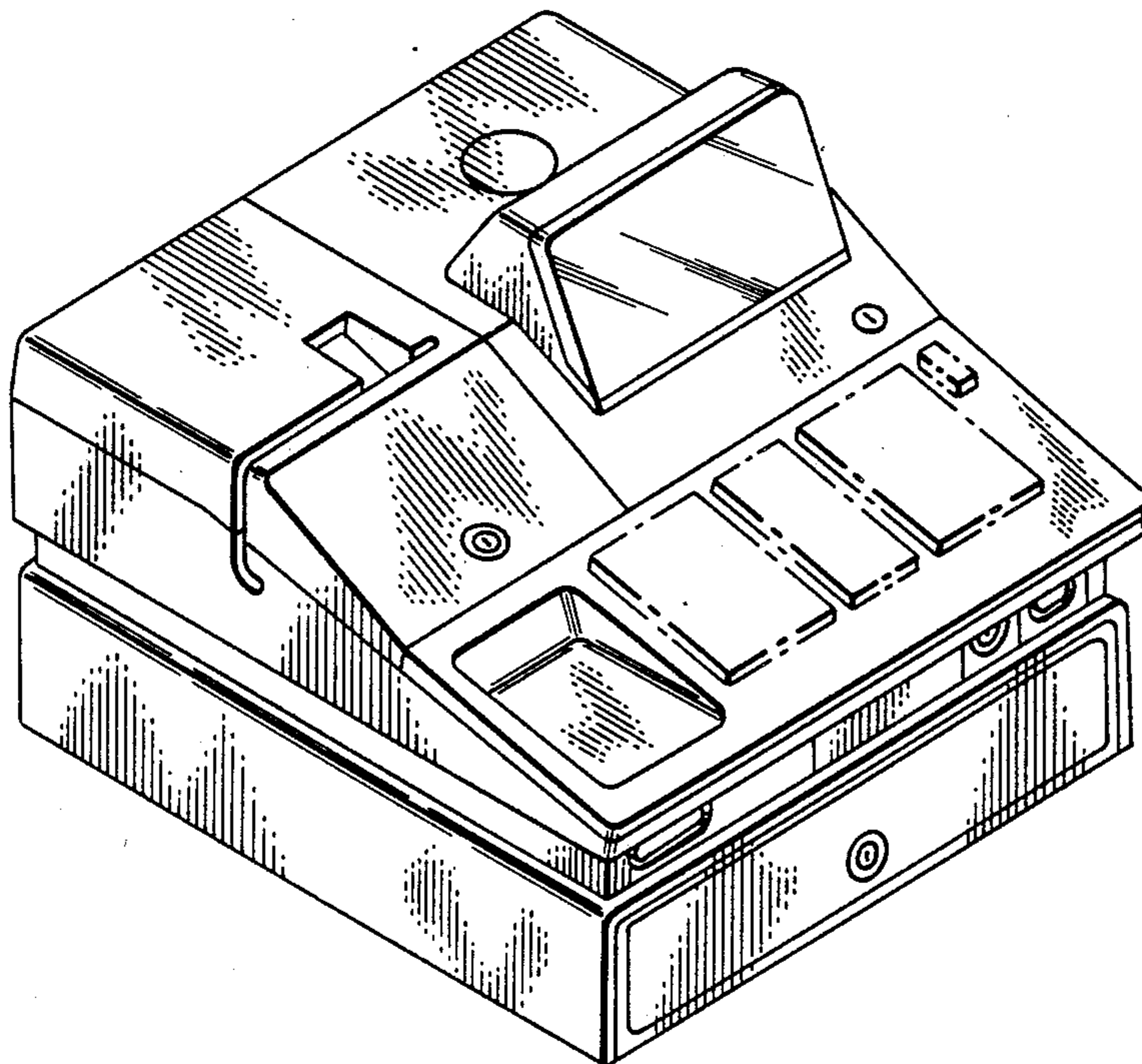


FIG. 1

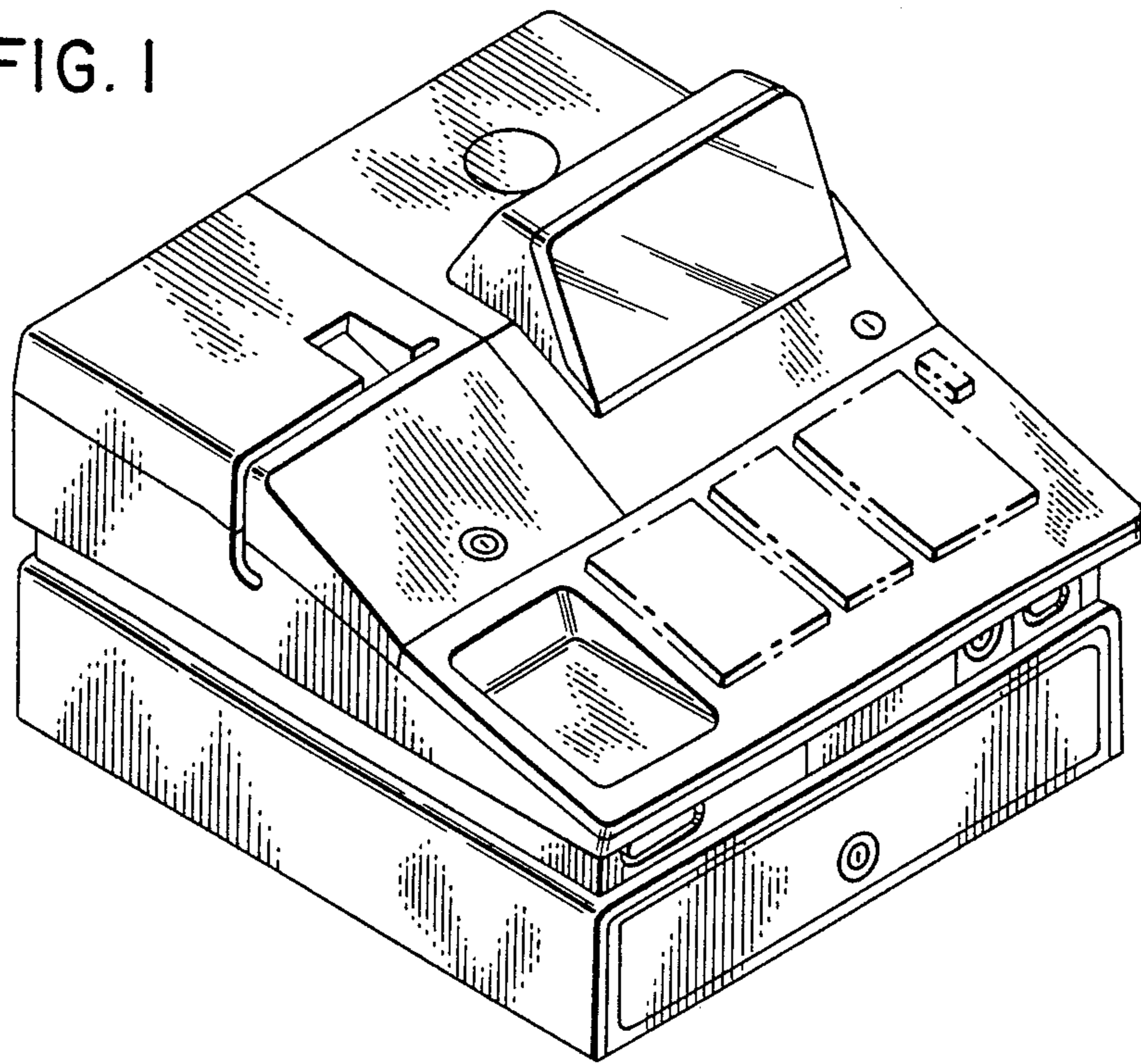


FIG. 6

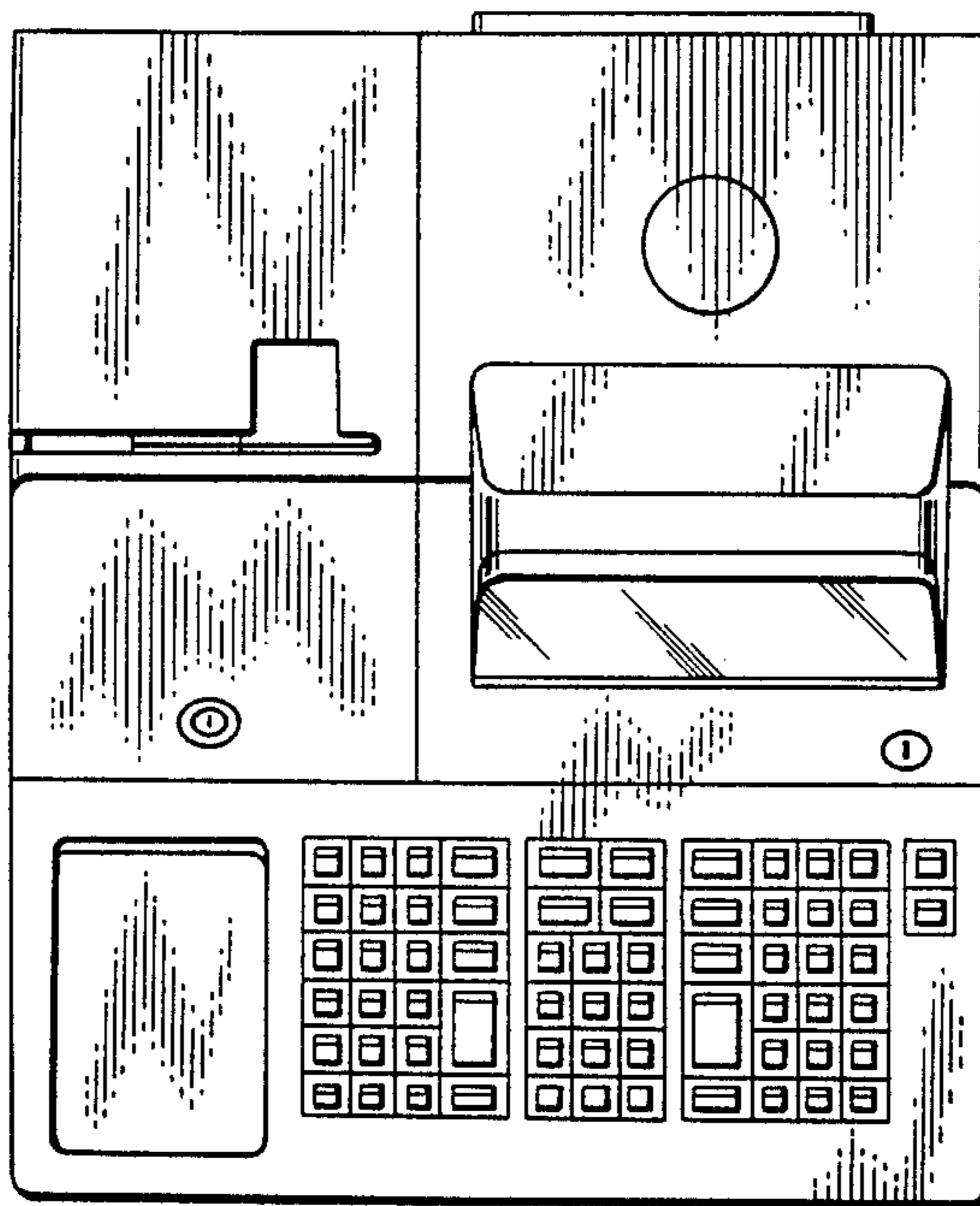


FIG. 2

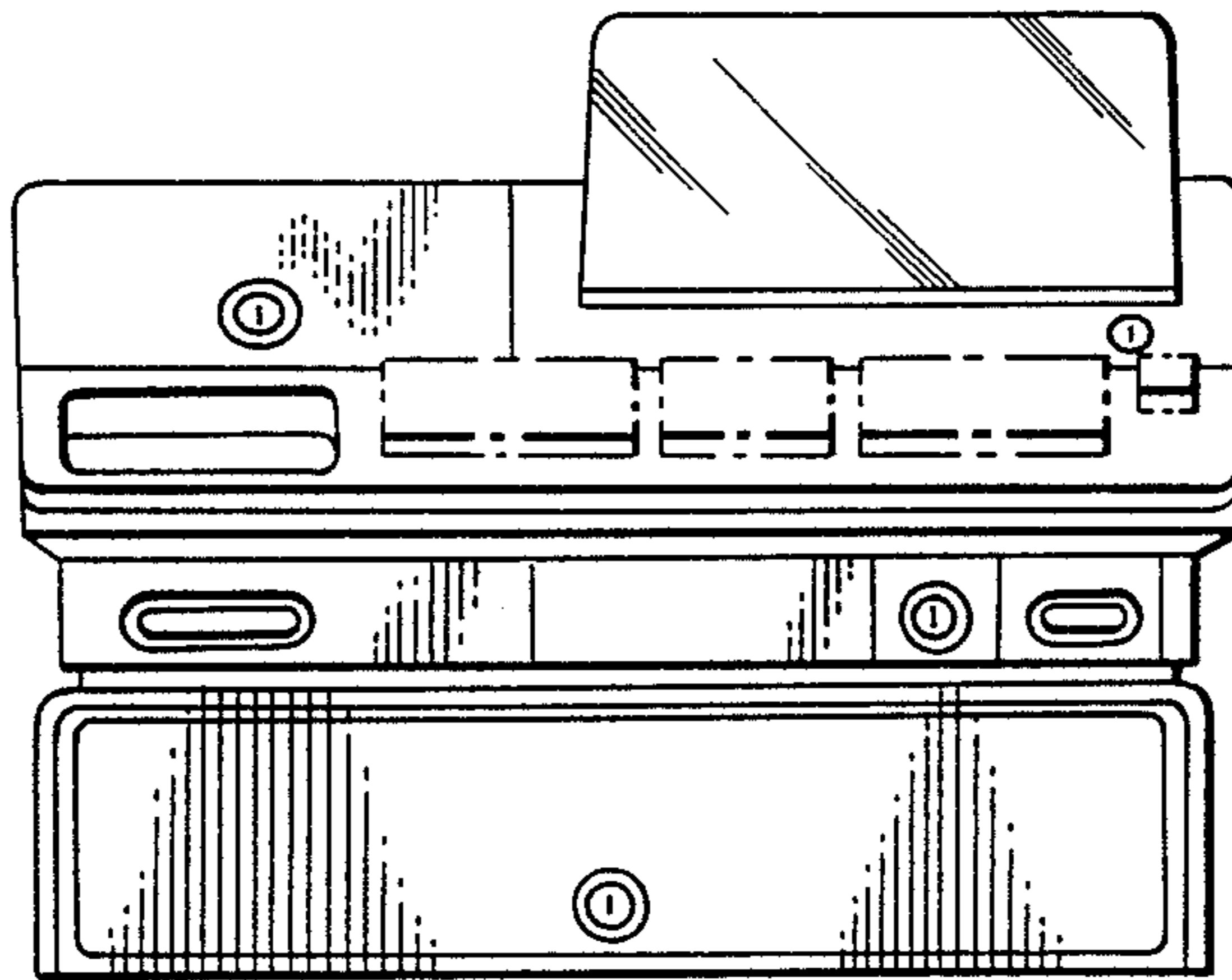


FIG. 3

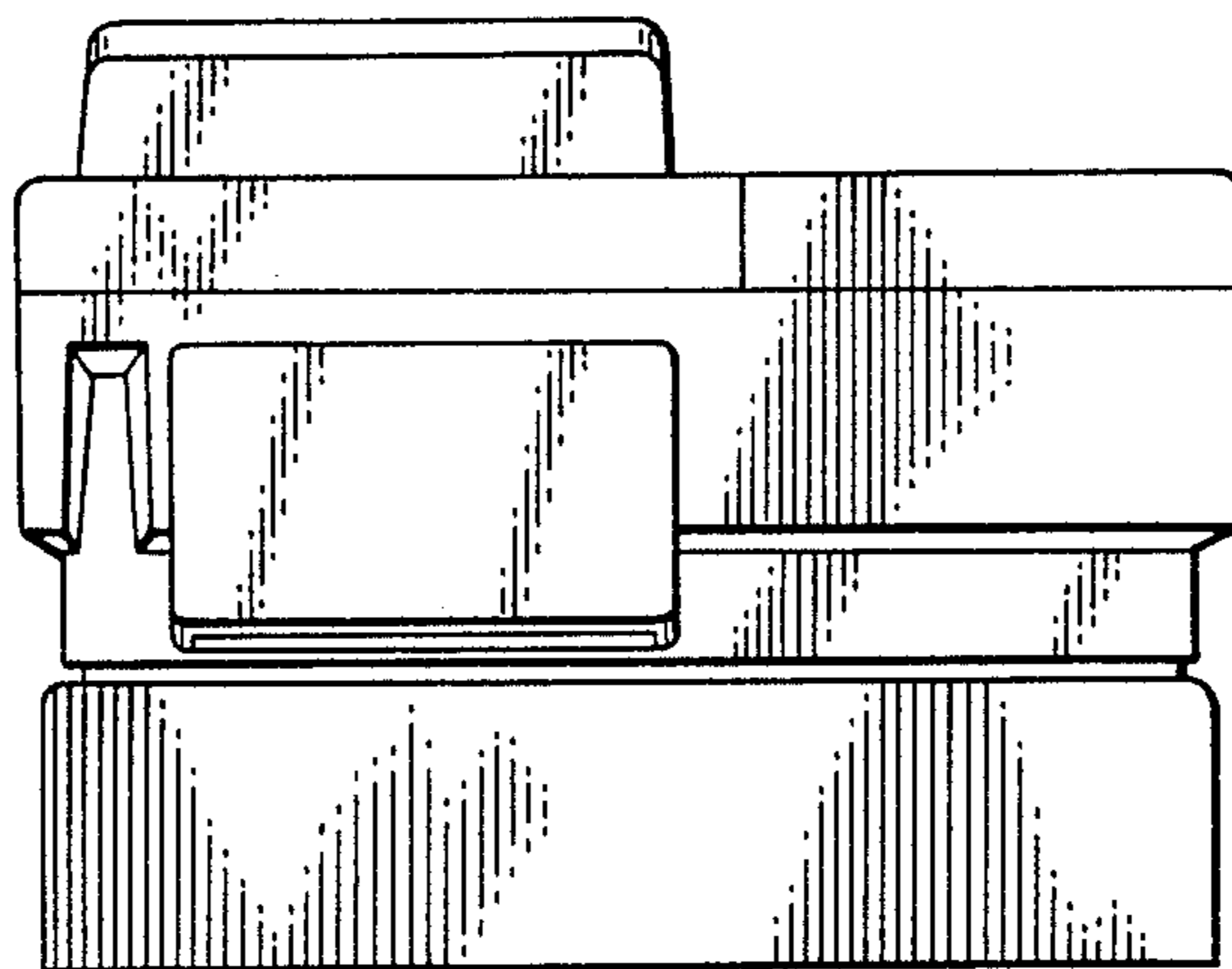


FIG. 4

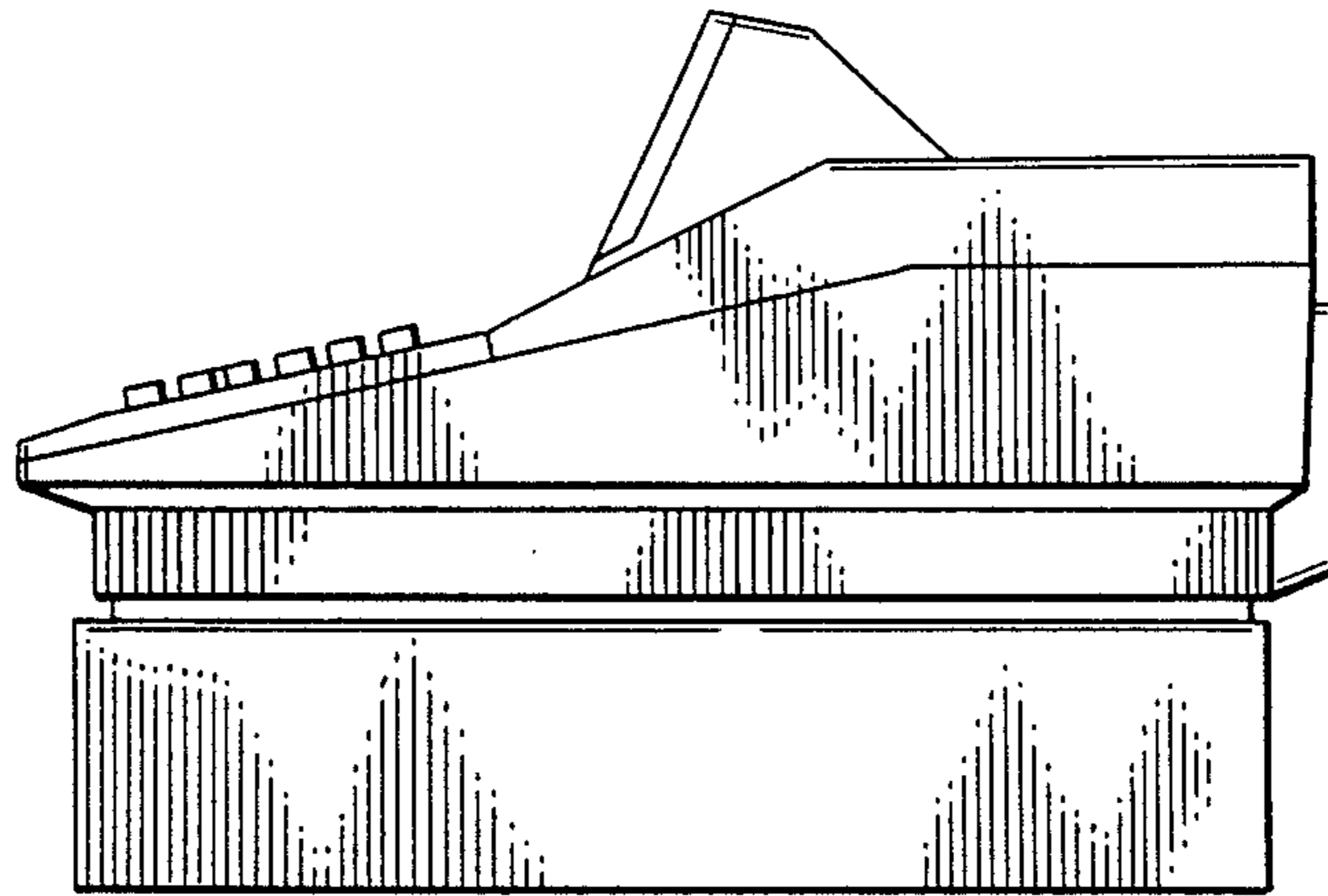


FIG. 5

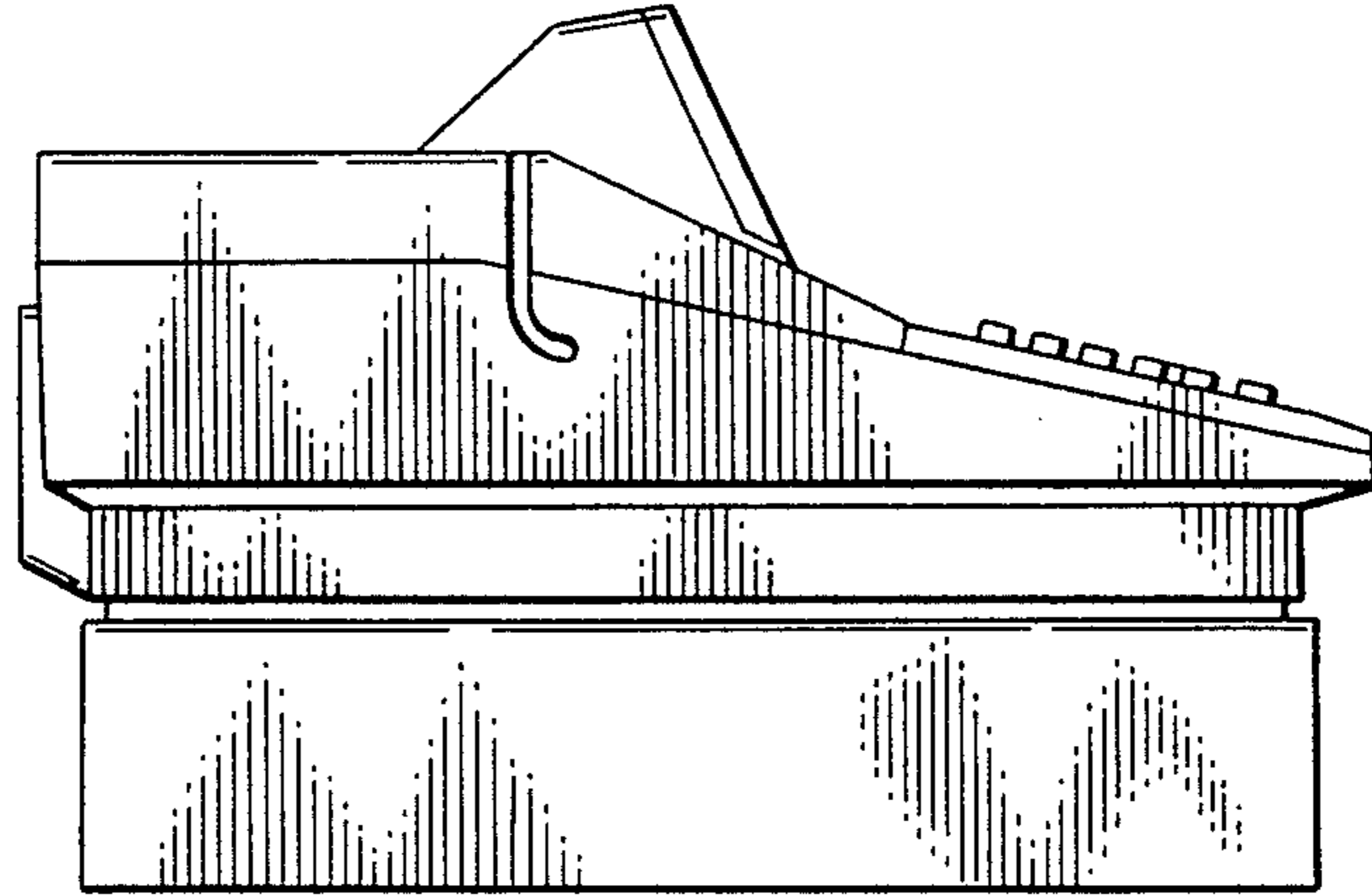


FIG. 7

