

# United States Patent [19]

Kato et al.

[11] Patent Number: **Des. 303,537**

[45] Date of Patent: **\*\* Sep. 19, 1989**

[54] **CASH REGISTER OR SIMILAR ARTICLE**  
[75] Inventors: **Shuzo Kato, Hiratsuka; Noboru Watanabe, Samukawa, both of Japan**

4,213,179 7/1980 Hamano et al. .... 364/405  
4,276,598 6/1981 Inoue et al. .... 364/405  
4,312,037 1/1982 Yamakita ..... 364/405

[73] Assignee: **NRC Corporation, Dayton, Ohio**  
[\*] Notice: The portion of the term of this patent subsequent to Sep. 19, 2003 has been disclaimed.

## OTHER PUBLICATIONS

Office Products, Jan. 1979, p. 5.  
Office Products Dealer, Jul. 1981, p. 4.  
Office Products Dealer, Feb. 1982, p. 5.  
Design 440, Aug. 1985, p. 43.

[\*\*] Term: **14 Years**

*Primary Examiner*—James R. Largen  
*Attorney, Agent, or Firm*—Wilbert Hawk, Jr.; Albert L. Sessler, Jr.; George J. Muckenthaler

[21] Appl. No.: **101,348**

[22] Filed: **Sep. 25, 1987**

## [57] CLAIM

The ornamental design for a cash register or similar article, as shown and described.

## [30] Foreign Application Priority Data

Mar. 26, 1987 [JP] Japan ..... 11065/87

[52] U.S. Cl. .... **D18/4**

[58] Field of Search ..... **D18/2-5; D14/100, 105, 106; D99/28; 235/1 D, 7 R, 379-383; 364/404, 405**

## DESCRIPTION

FIG. 1 is a perspective view taken from the top, front and left side of a cash register or similar article showing our new design;

FIG. 2 is a front elevational view thereof;

FIG. 3 is a rear elevational view thereof;

FIG. 4 is a right side elevational view thereof;

FIG. 5 is a left side elevational view thereof;

FIG. 6 is a top plan view thereof;

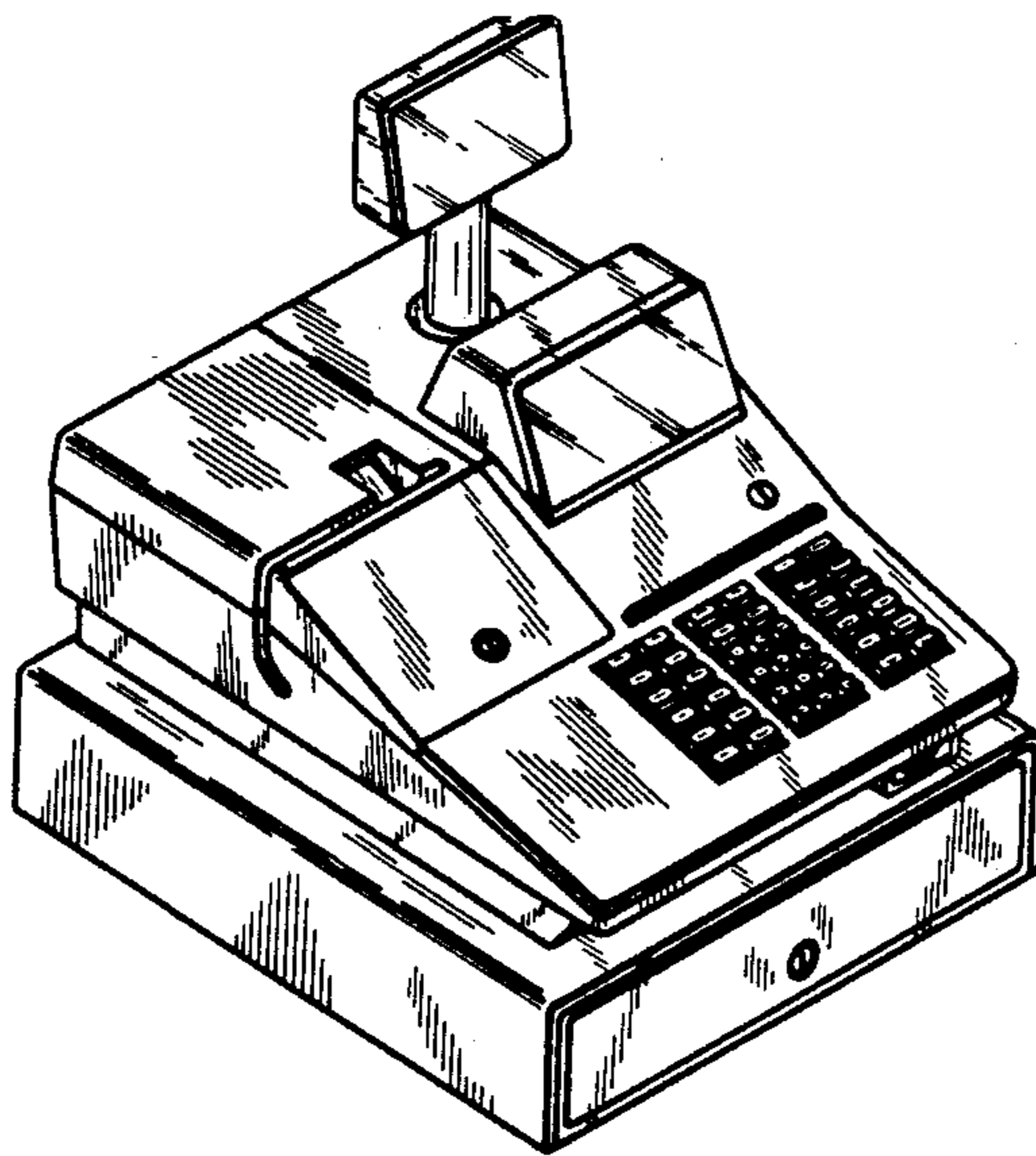
FIG. 7 is a perspective view taken from the top, front and left side of a modified form of the cash register or similar article shown in FIG. 1; and

FIG. 8 is a perspective view taken from the top, front and left side of a second modified form of the cash register or similar article shown in FIG. 1.

## [56] References Cited

### U.S. PATENT DOCUMENTS

D. 220,720 5/1971 Kitai ..... D18/4  
D. 238,962 2/1976 Webb ..... D18/4  
D. 241,572 9/1976 Dobashi et al. .... D18/4  
D. 259,264 5/1981 Schuldt ..... D18/4  
D. 261,003 9/1981 Jinbo et al. .... D18/4  
D. 269,441 6/1983 Matsuda et al. .... D18/4  
D. 279,382 6/1985 Hori et al. .... D18/4  
4,084,238 4/1978 Masuo ..... 364/405



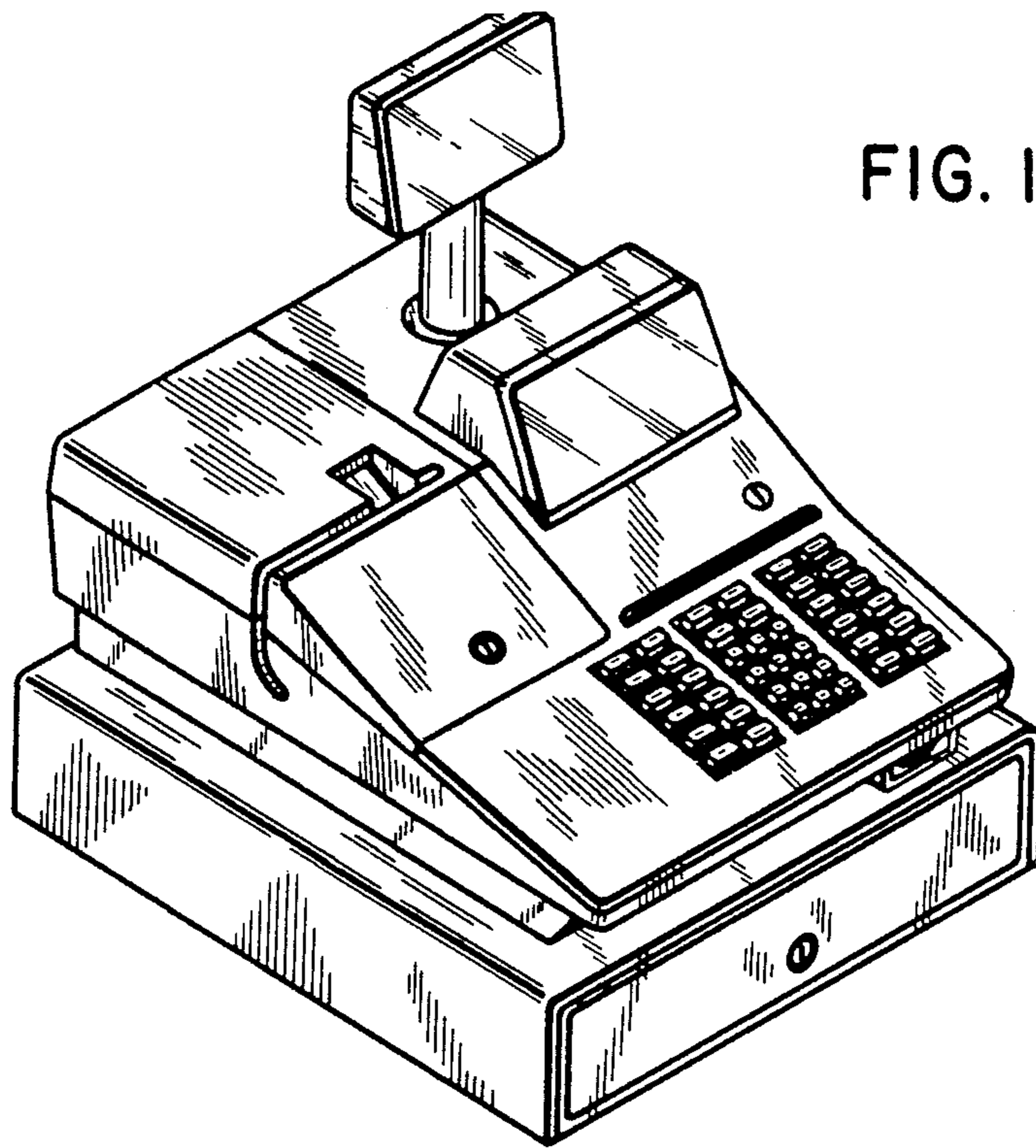


FIG. 1

FIG. 2

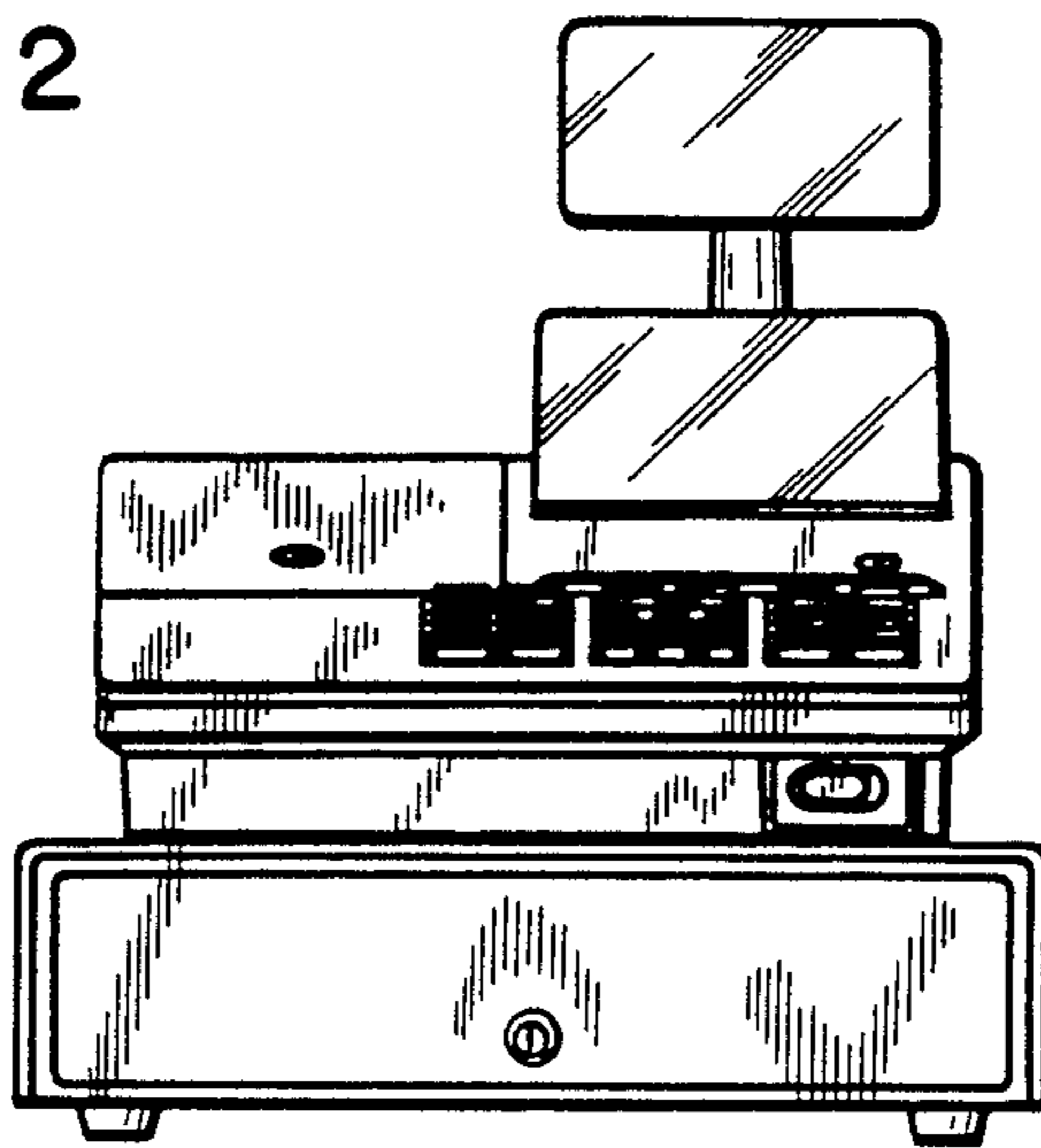


FIG. 3

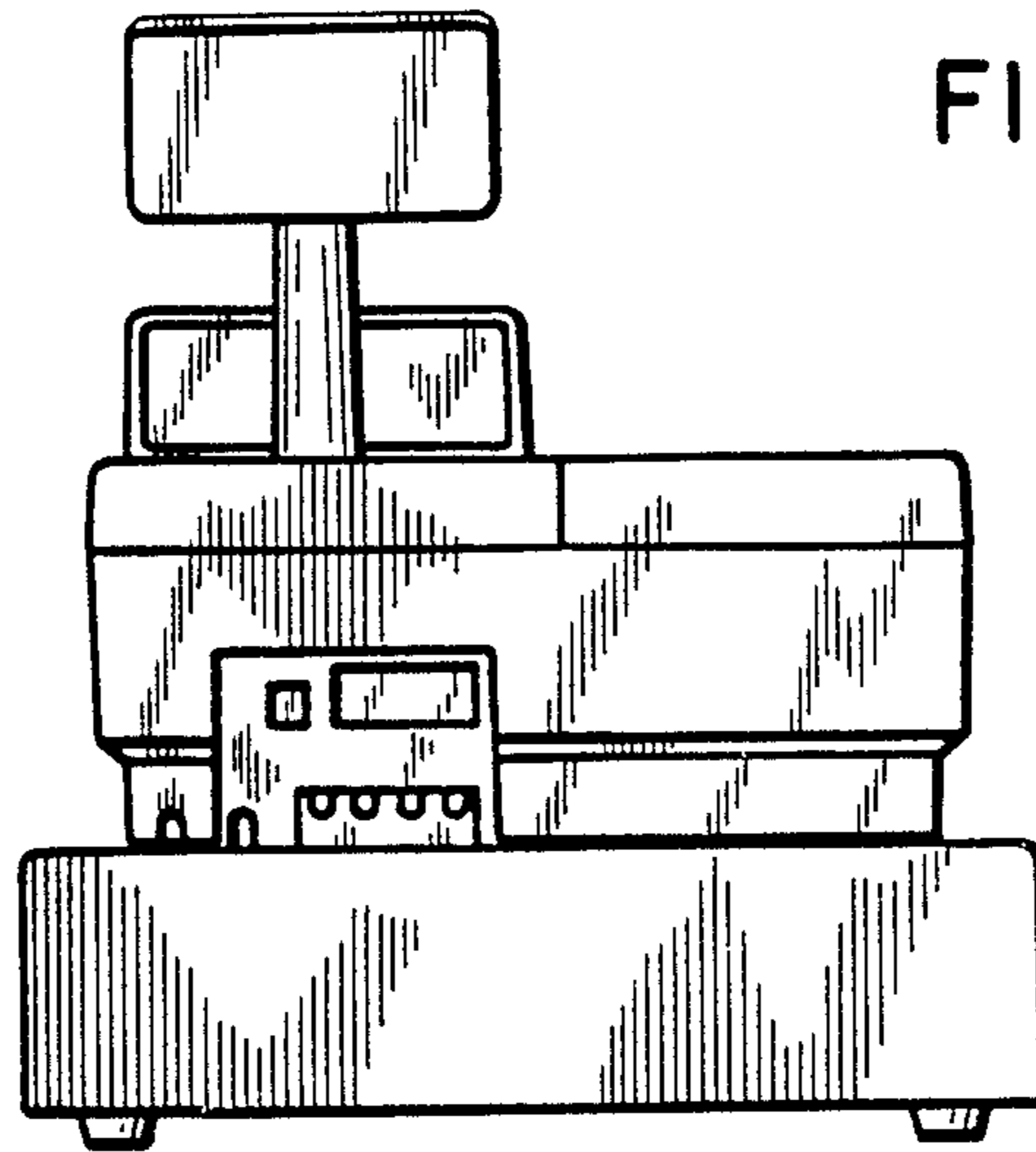


FIG. 4

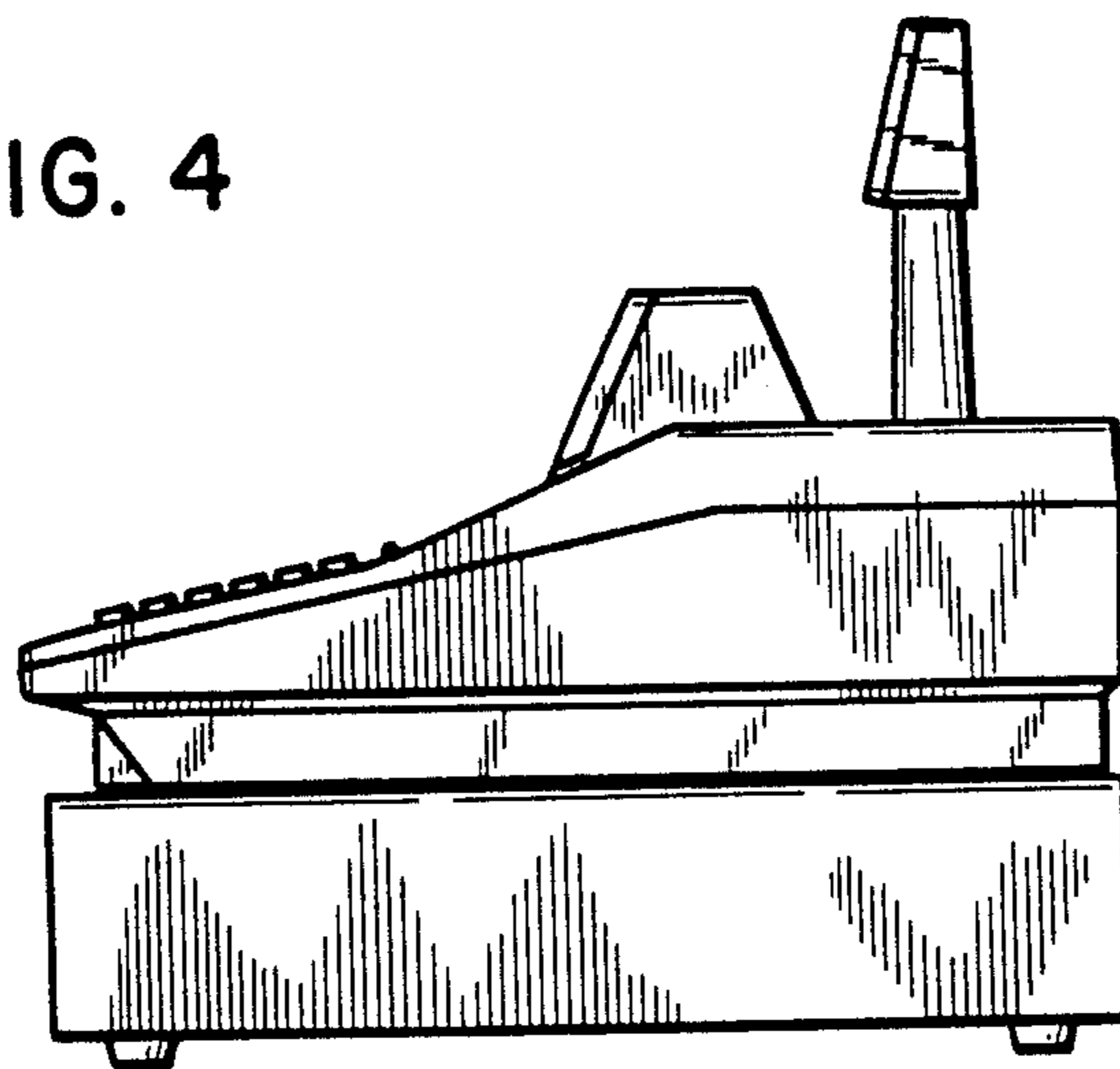


FIG. 5

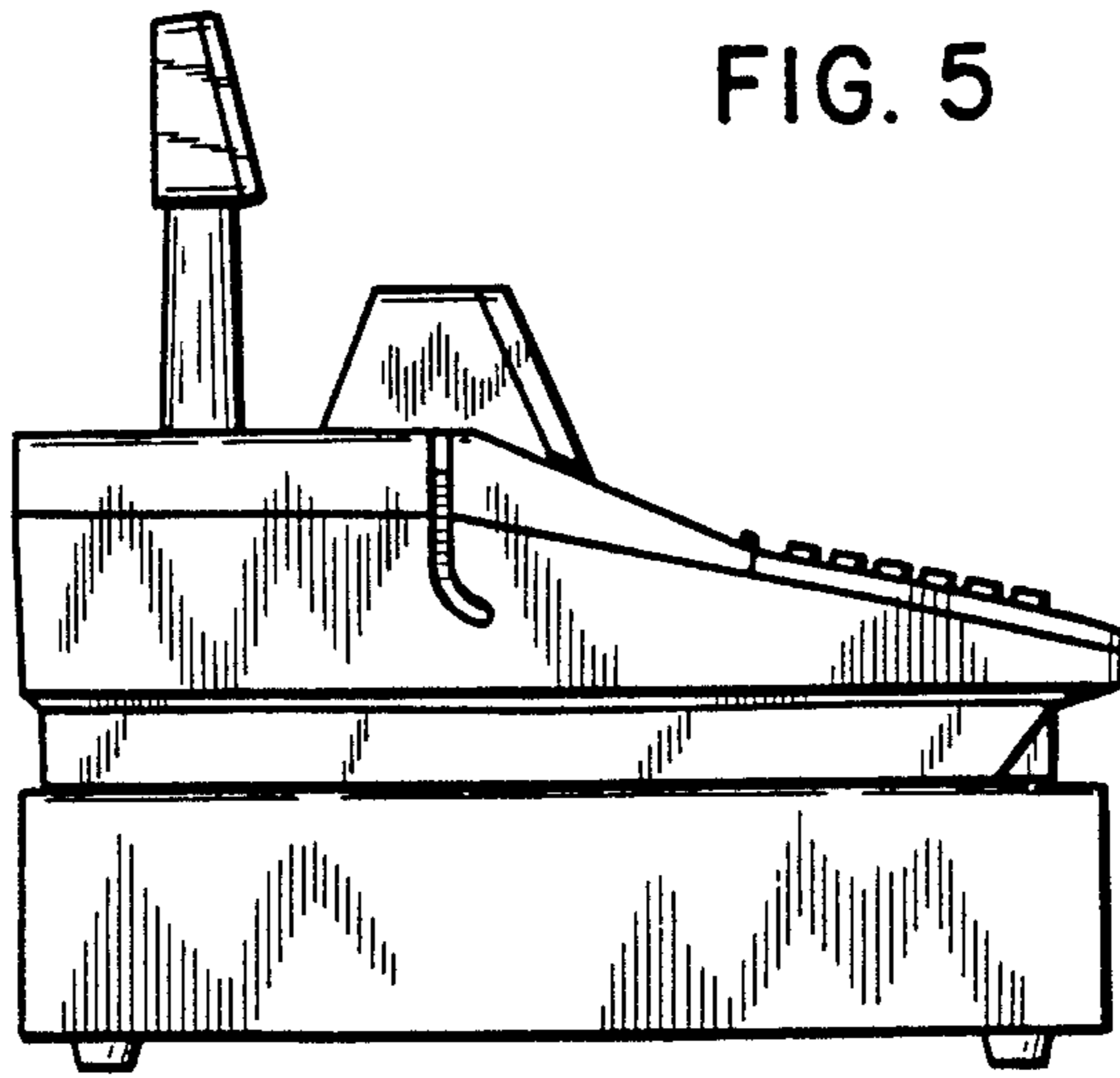
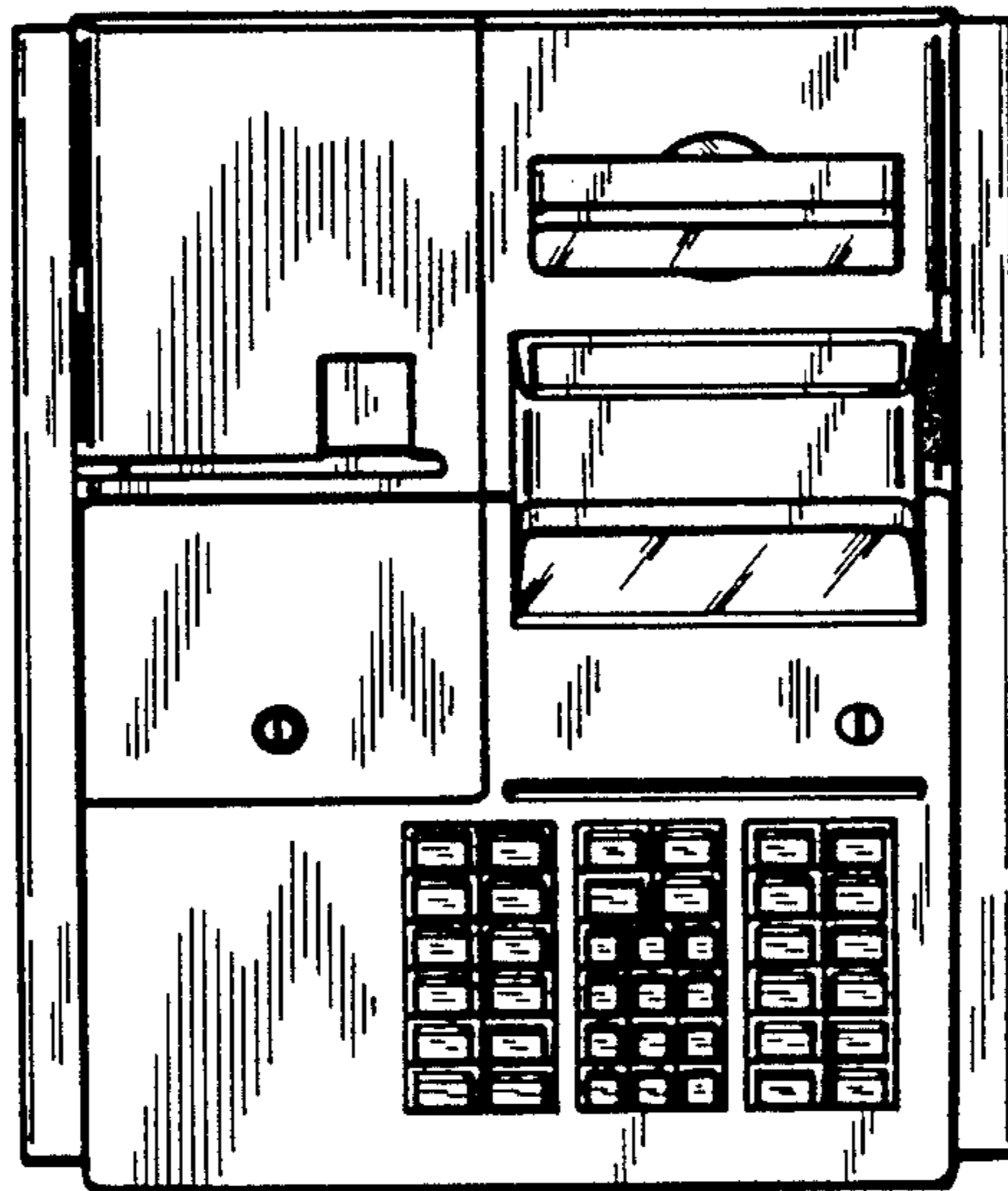


FIG. 6



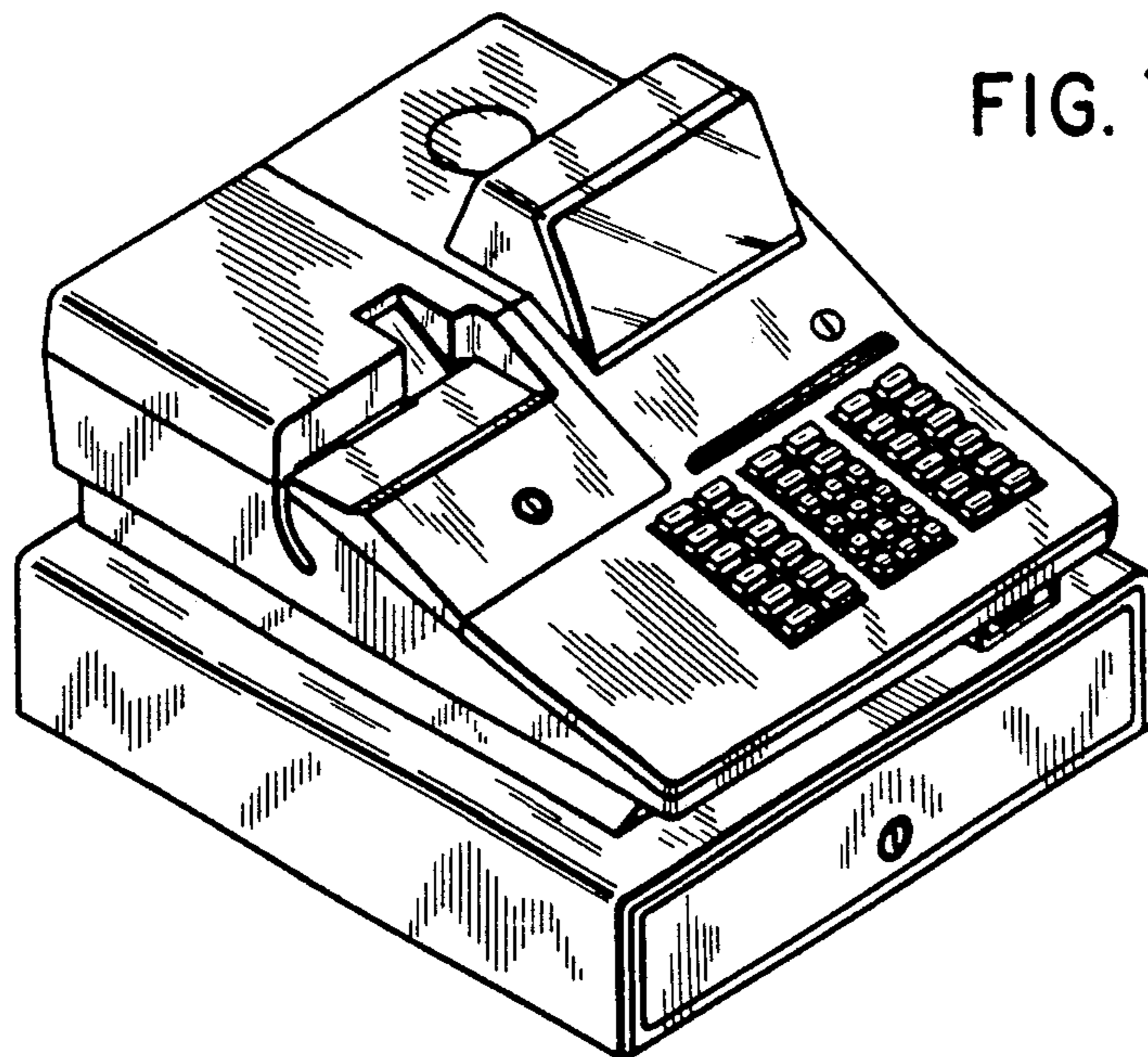


FIG. 7

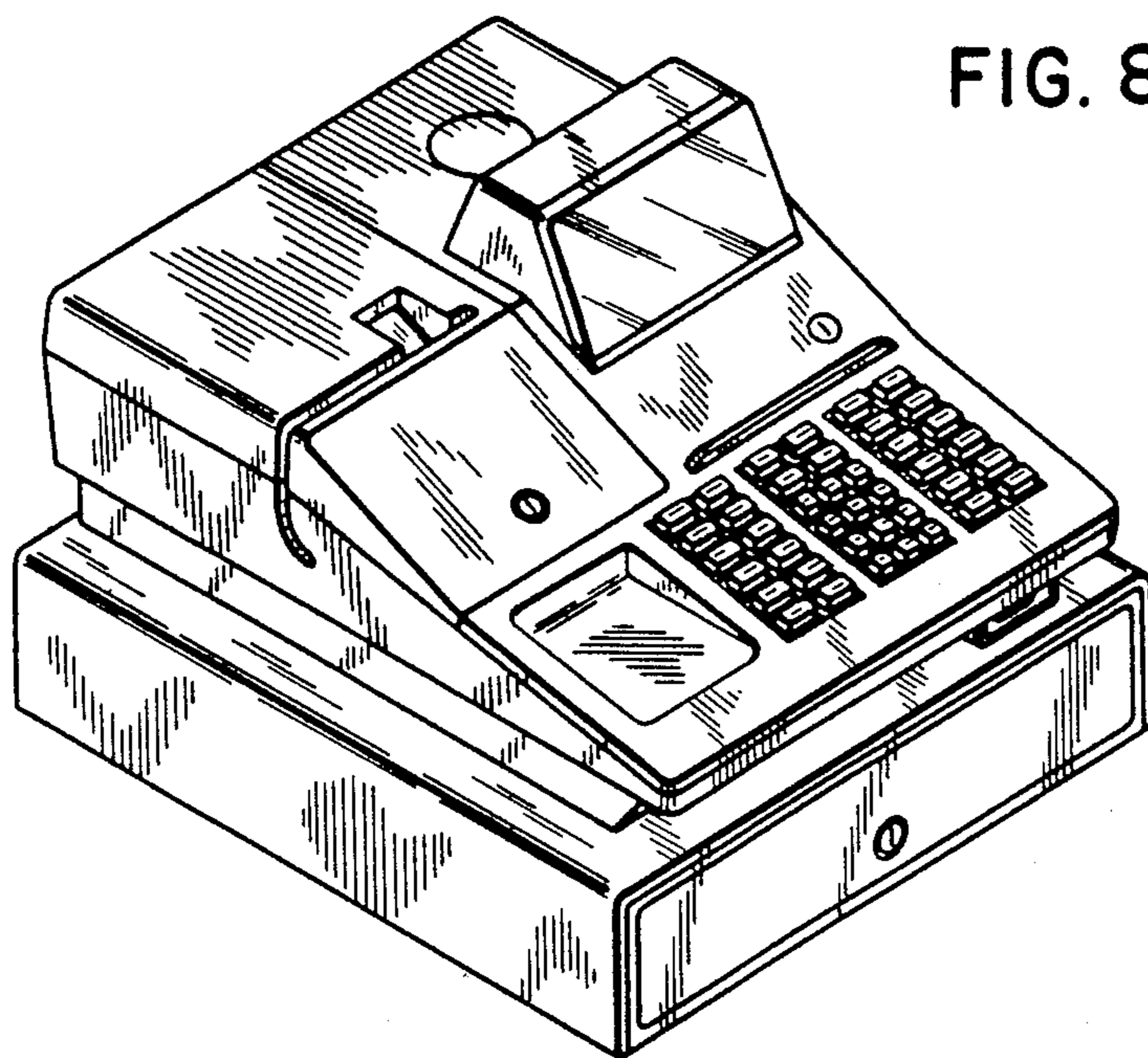


FIG. 8

UNITED STATES PATENT AND TRADEMARK OFFICE  
**CERTIFICATE OF CORRECTION**

PATENT NO. : Des. 303,537  
DATED : September 19, 1989  
INVENTOR(S) : Shuzo Kato et al

It is certified that error appears in the above-identified patent and that said Letters Patent is hereby corrected as shown below:

Title page, Assignee: "NRC" should read --NCR--.

**Signed and Sealed this  
Twenty-third Day of October, 1990**

*Attest:*

*Attesting Officer*

HARRY F. MANBECK, JR.

*Commissioner of Patents and Trademarks*