

United States Patent [19]

Lane et al.

[11] Patent Number: **Des. 303,535**

[45] Date of Patent: **** Sep. 19, 1989**

[54] **CAMERA OR SIMILAR ARTICLE**

[75] Inventors: **Stephen Lane, Providence, R.I.; Aidan Petrie, London, England; Erik Thomas, Warwick, R.I.**

[73] Assignee: **Polaroid Corporation, Cambridge, Mass.**

[**] Term: **14 Years**

[21] Appl. No.: **941,931**

[22] Filed: **Dec. 15, 1986**

[52] U.S. Cl. **D16/217; D16/216; D16/218**

[58] Field of Search **D16/200, 208, 209, 211, D16/213; 354/79, 126, 152, 187, 202, 288**

[56] **References Cited**

U.S. PATENT DOCUMENTS

D. 228,808 10/1973 Swayze D16/213

D. 234,542 3/1975 Quinn D16/212
D. 248,306 6/1978 Pinchuk D16/213
D. 250,120 10/1978 Munakata et al. D16/218
D. 260,997 9/1981 Asaki et al. D16/209

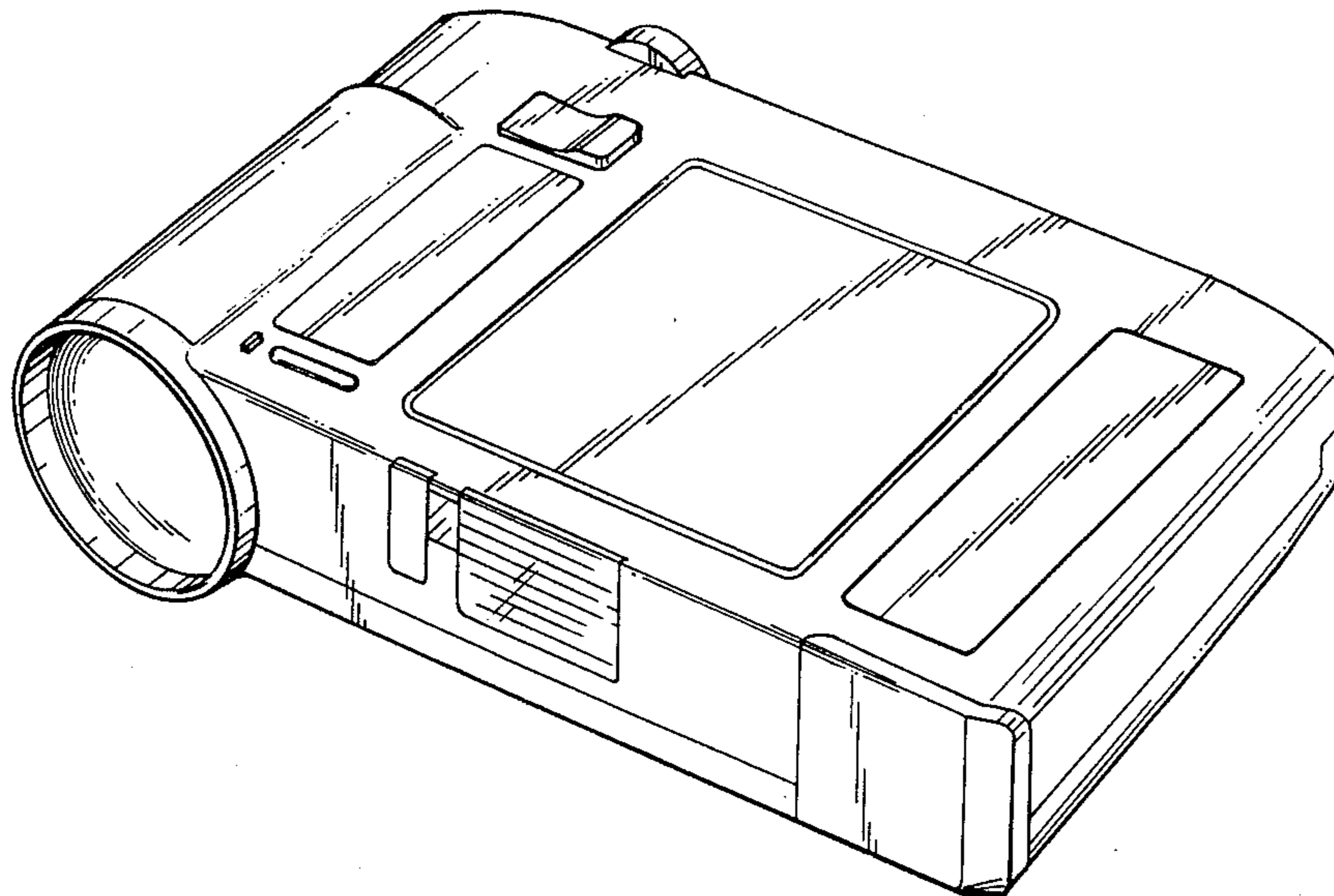
Primary Examiner—Bernard Ansher
Assistant Examiner—Adir Aronovich
Attorney, Agent, or Firm—Edward S. Roman

[57] **CLAIM**

The ornamental design for a camera or similar article, as shown.

DESCRIPTION

FIG. 1 is a top front perspective view of a camera or similar article showing our new design;
FIG. 2 is a front elevational view thereof;
FIG. 3 is a top plan view thereof;
FIG. 4 is a rear elevational view thereof;
FIG. 5 is a bottom plan view thereof;
FIG. 6 is a left side elevational view thereof; and
FIG. 7 is a right side elevational view thereof.



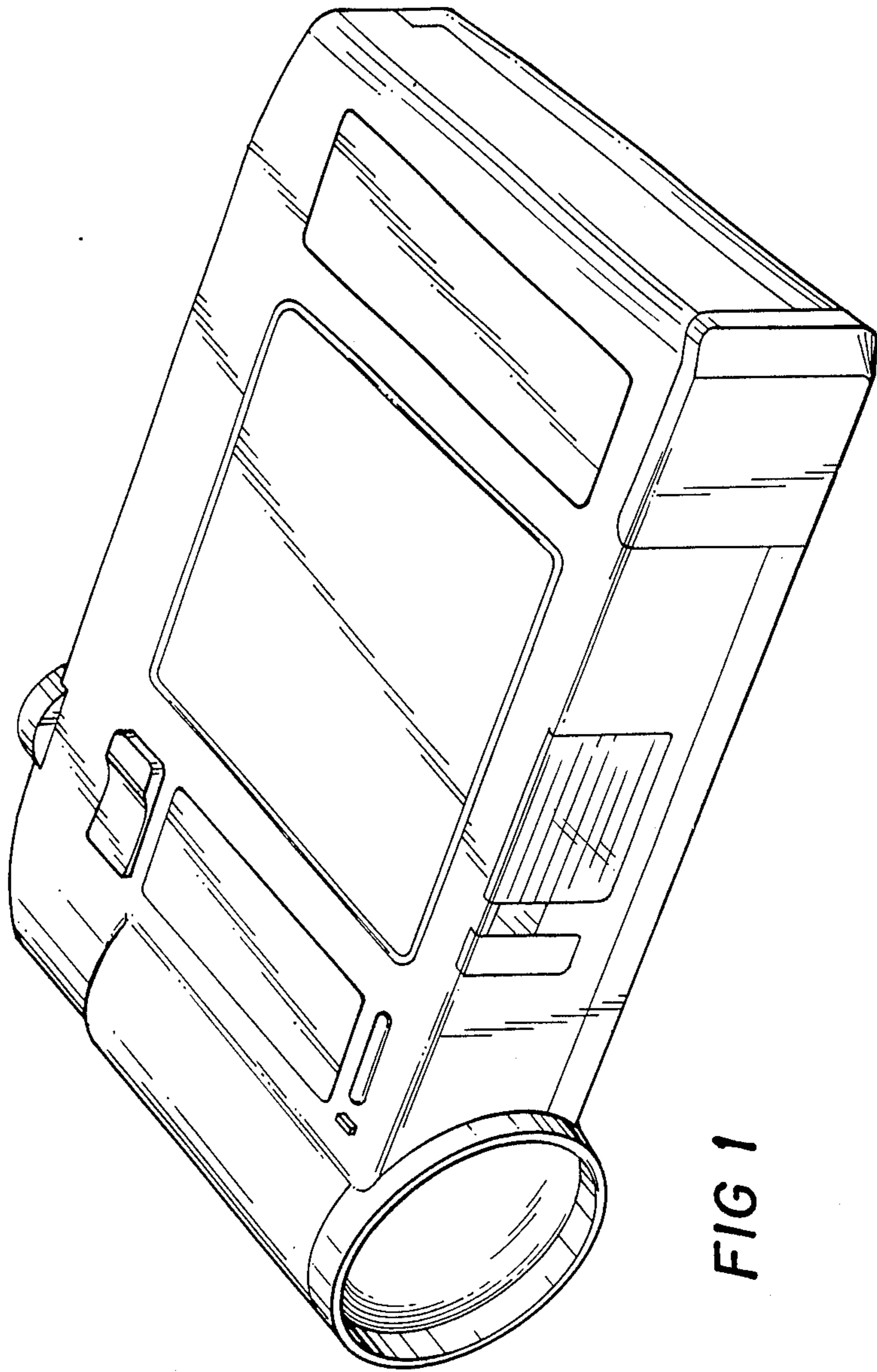


FIG 1

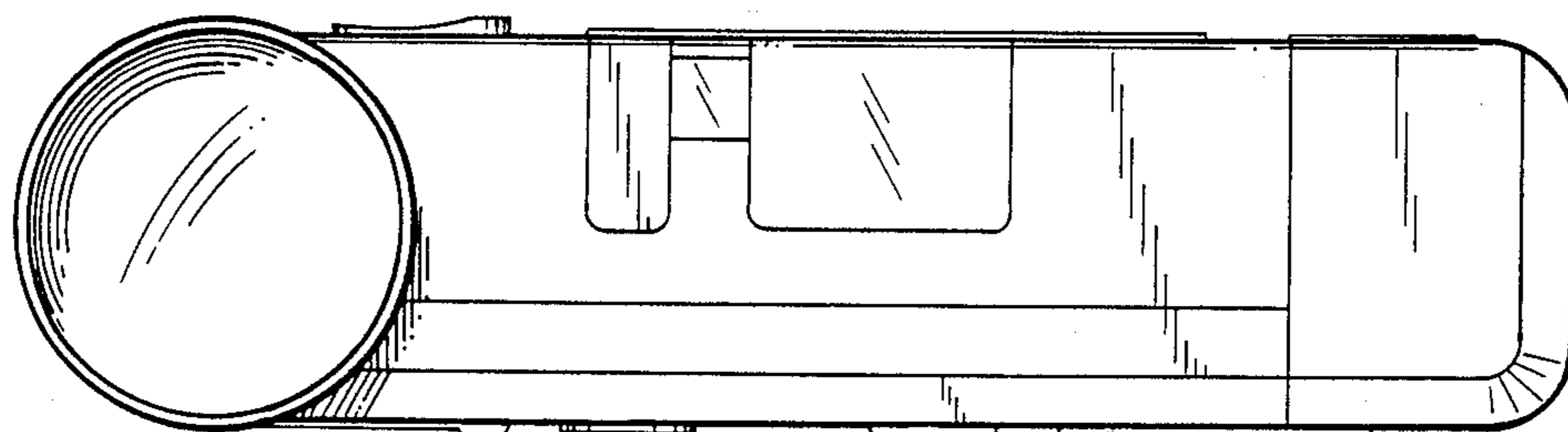


FIG 2

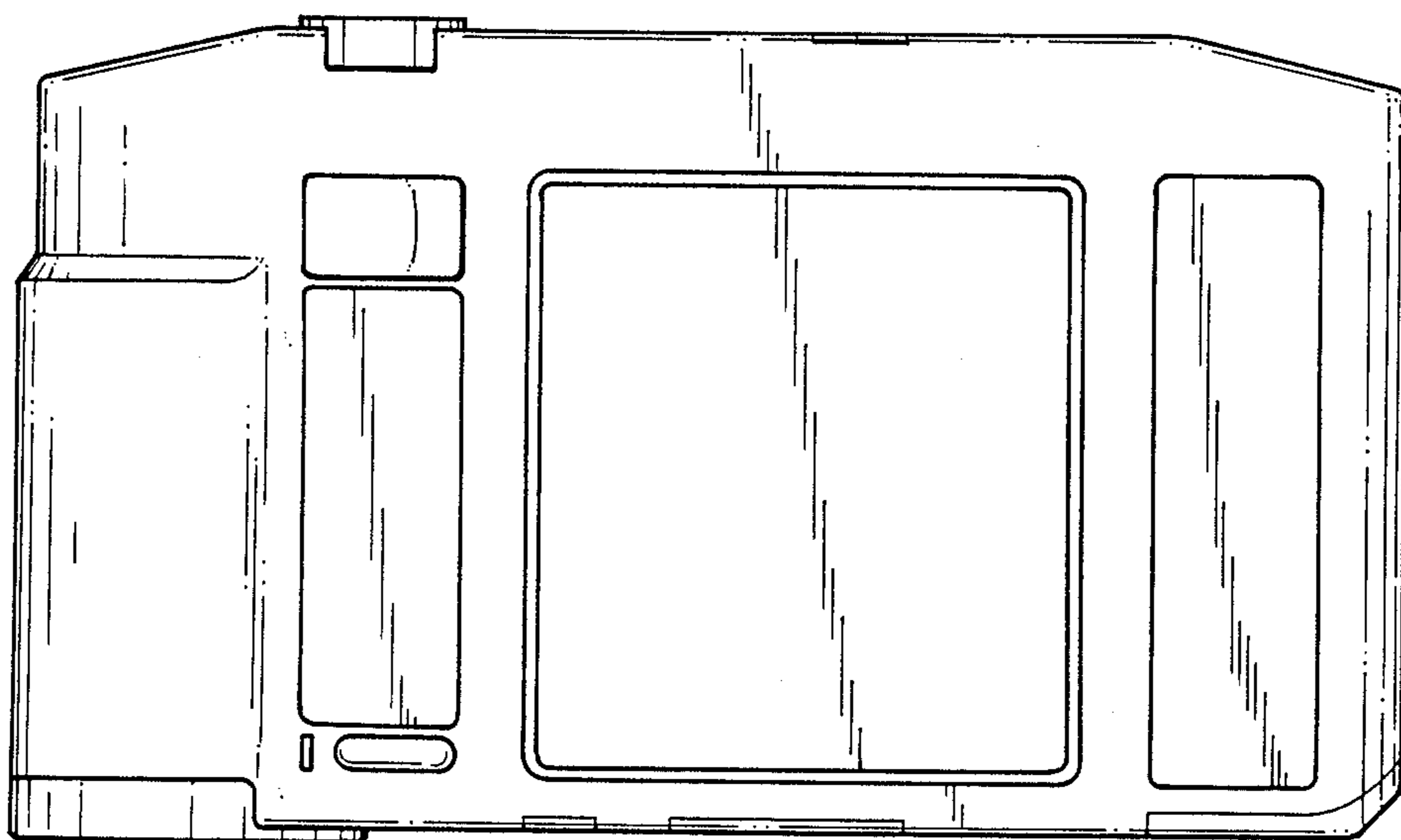


FIG 3

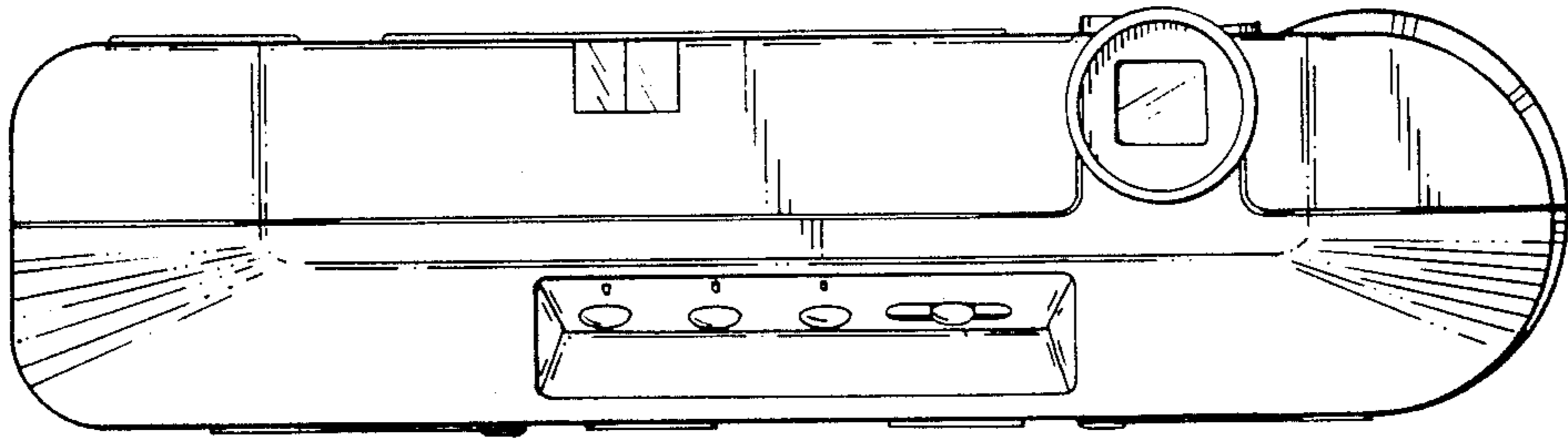


FIG 4

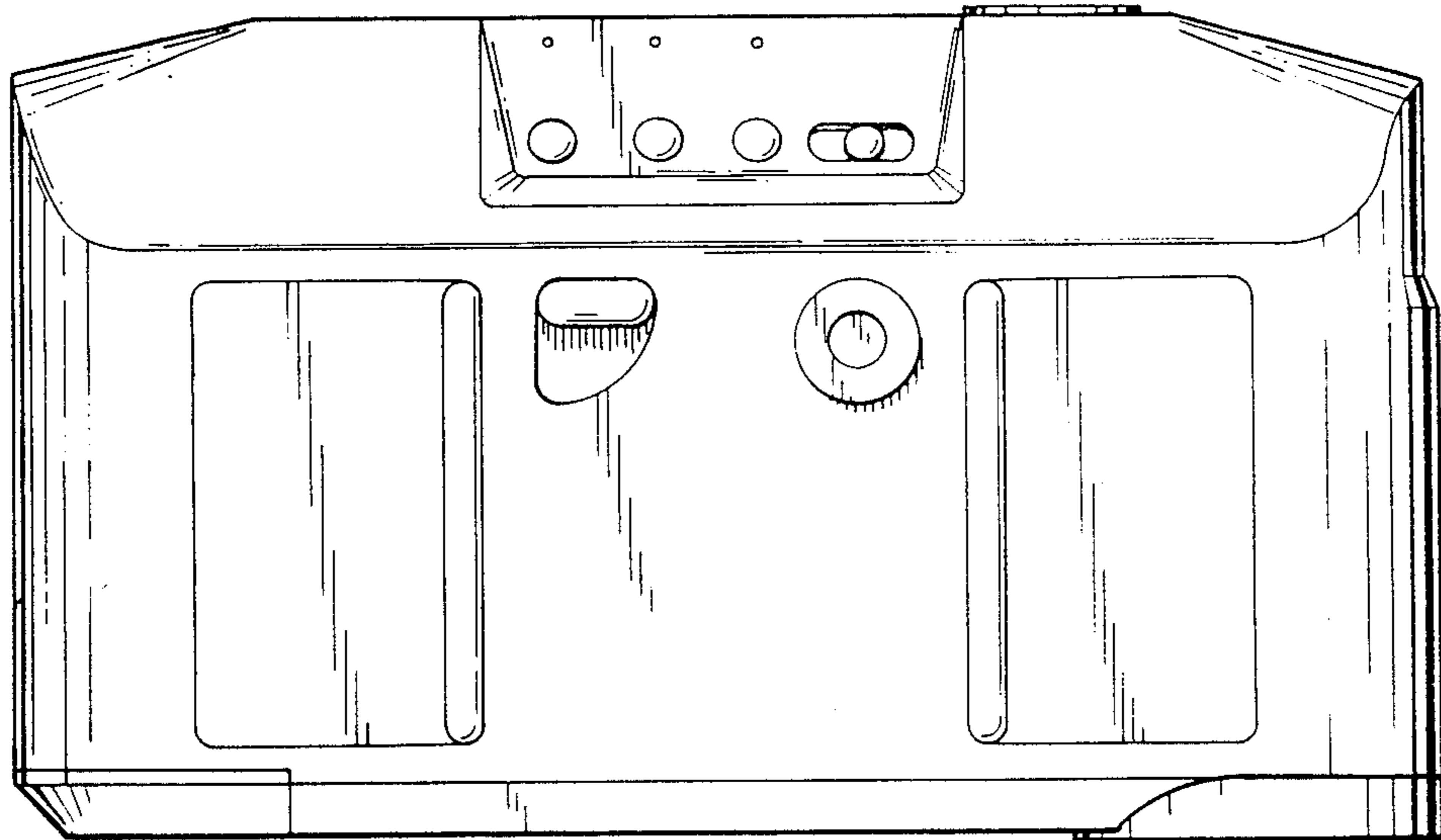


FIG 5

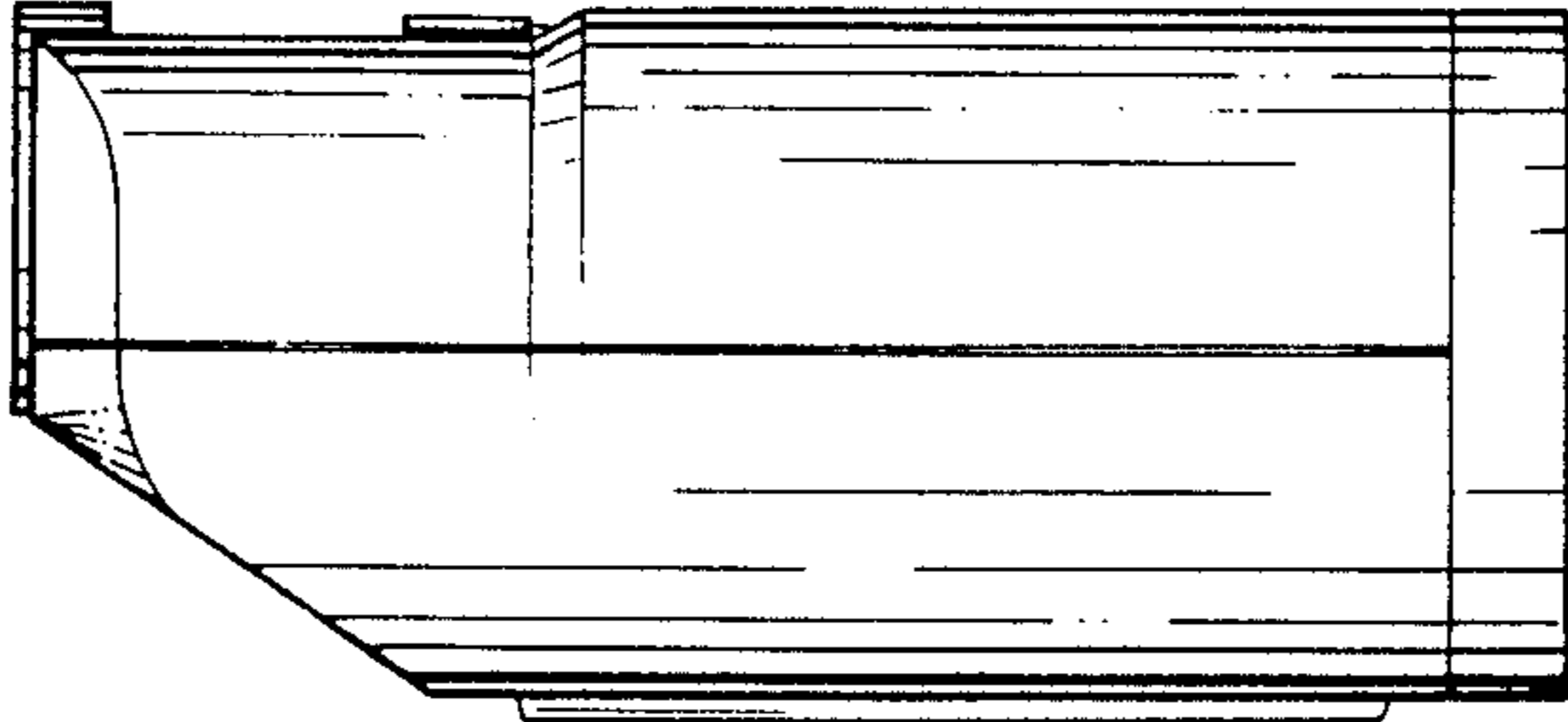


FIG 6

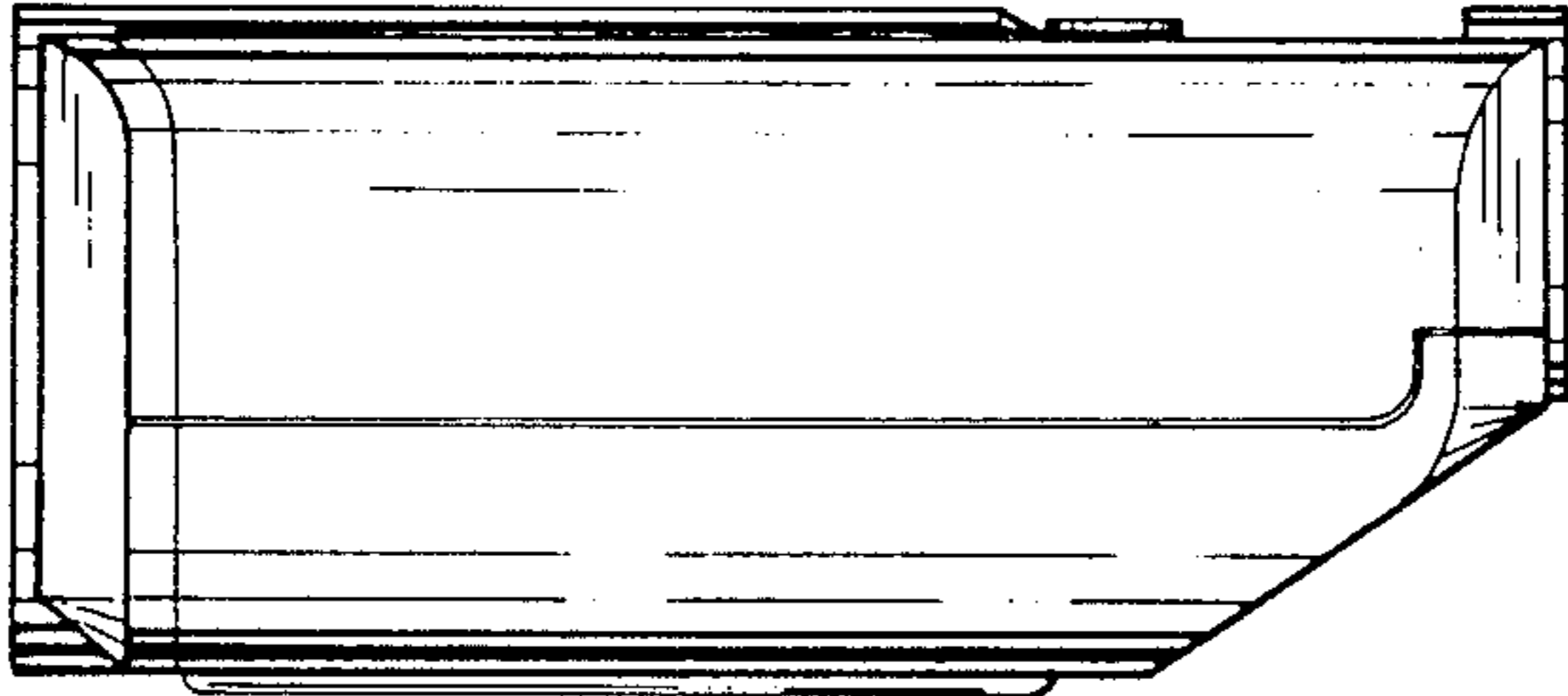


FIG 7