

[54] CAMERA OR SIMILAR ARTICLE

[75] Inventors: Stephen Lane, Providence, R.I.; Aidan Petrie, London, England; Erik Thomas, Warwick, R.I.

[73] Assignee: Polaroid Corporation, Cambridge, Mass.

[**] Term: 14 Years

[21] Appl. No.: 941,930

[22] Filed: Dec. 15, 1986

[52] U.S. Cl. D16/217; D16/216; D16/218

[58] Field of Search D16/200, 208, 209, 211, D16/213; 354/79, 126, 152, 187, 202, 288

[56] References Cited

U.S. PATENT DOCUMENTS

D. 234,542 3/1975 Quinn D16/212

D. 250,120 10/1978 Munakata et al. D16/218
D. 260,997 9/1981 Asaki et al. D16/209
3,350,990 11/1967 Finelli et al. 354/126
3,768,387 10/1973 Hasegawa 354/126

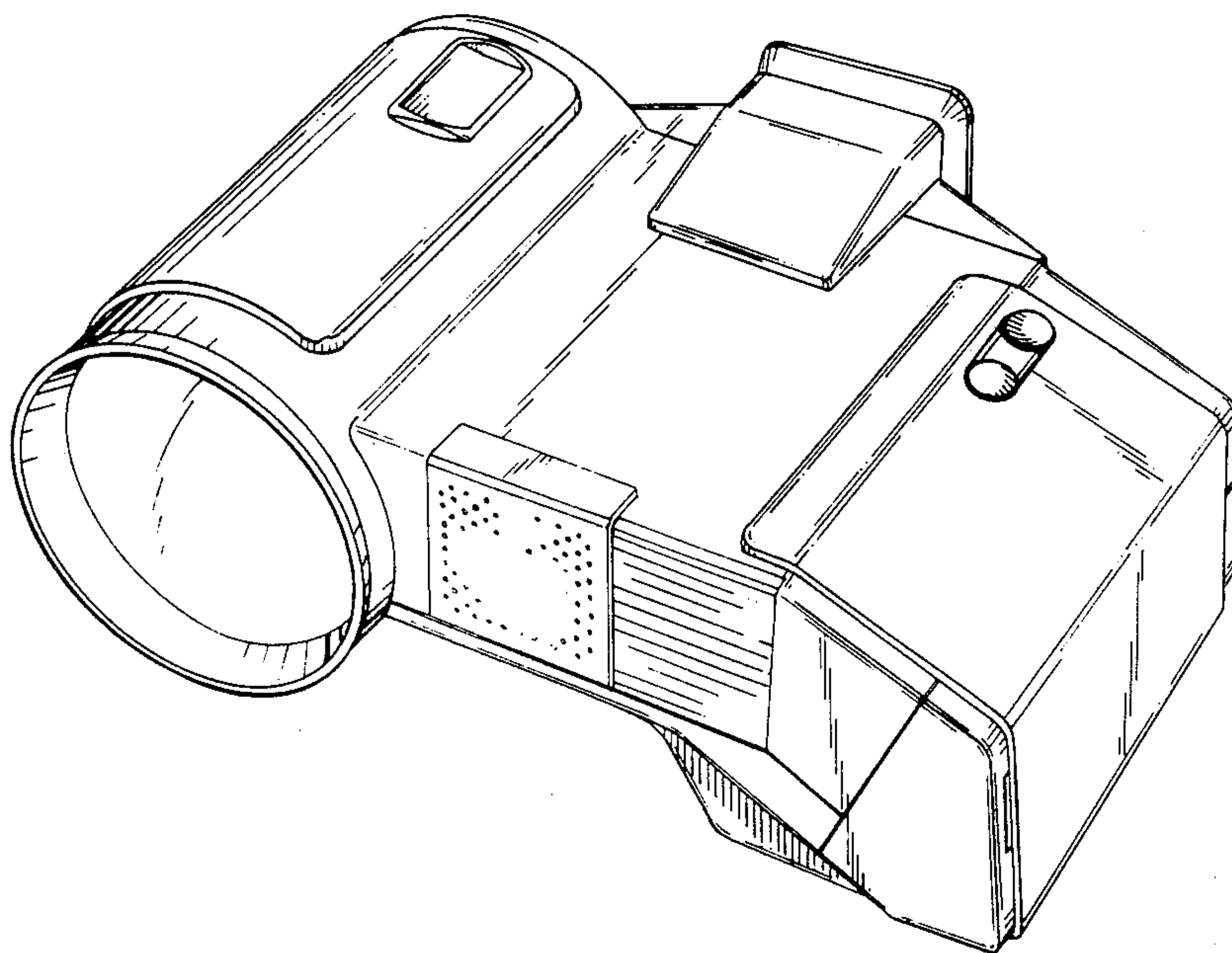
Primary Examiner—Bernard Ansher
Assistant Examiner—Adir Aronovich
Attorney, Agent, or Firm—Edward S. Roman

[57] CLAIM

The ornamental design for a camera or similar article, as shown.

DESCRIPTION

FIG. 1 is a top front perspective view of a camera or similar article showing our new design; FIG. 2 is a front elevational view thereof; FIG. 3 is a top plan view thereof; FIG. 4 is a rear elevational view thereof; FIG. 5 is a bottom plan view thereof; FIG. 6 is a left side elevational view thereof; and FIG. 7 is a right side elevational view thereof.



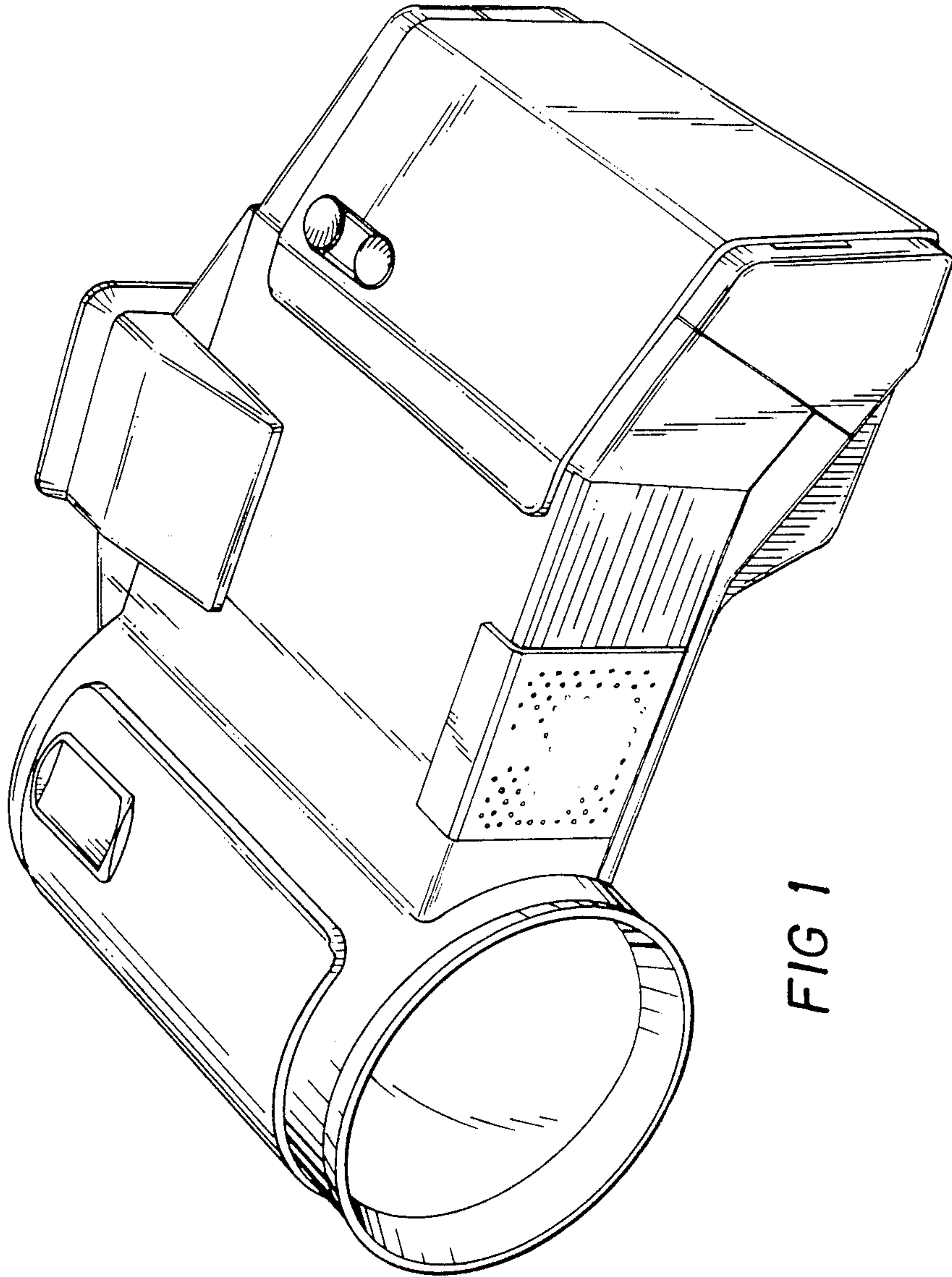


FIG 1

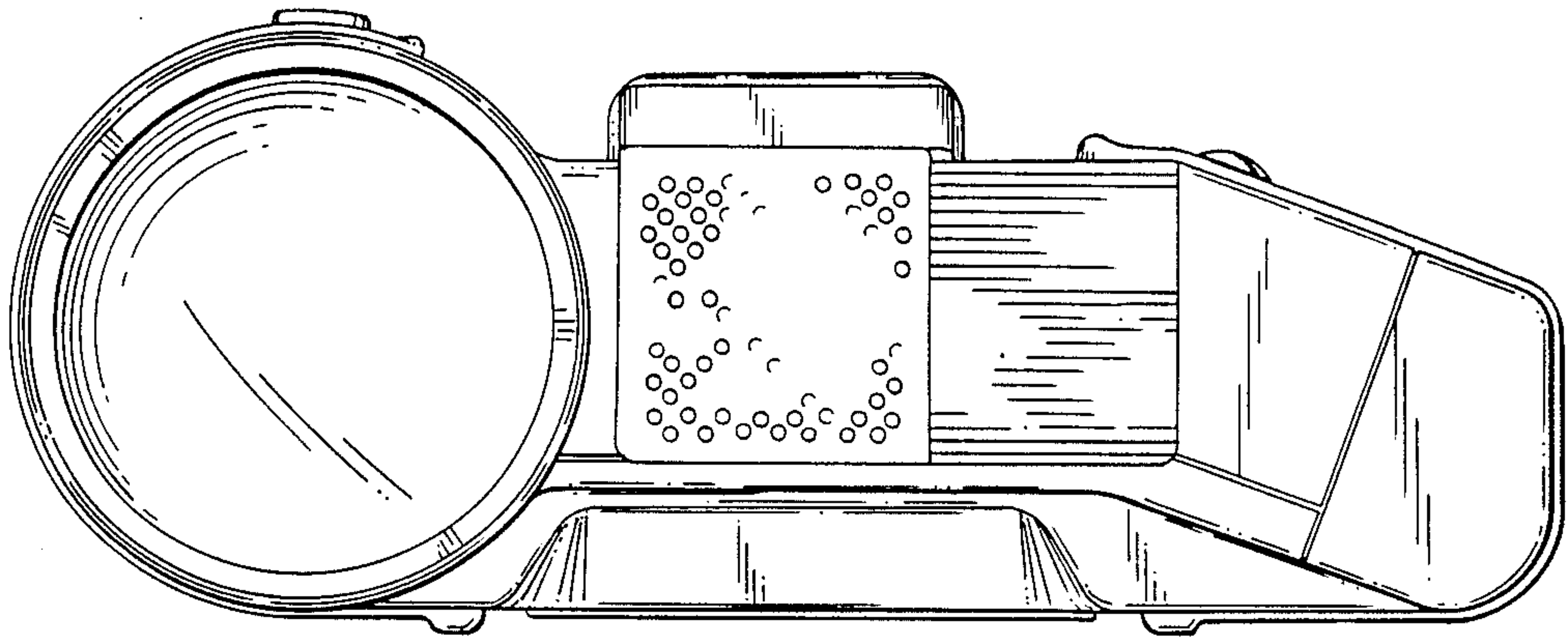


FIG 2

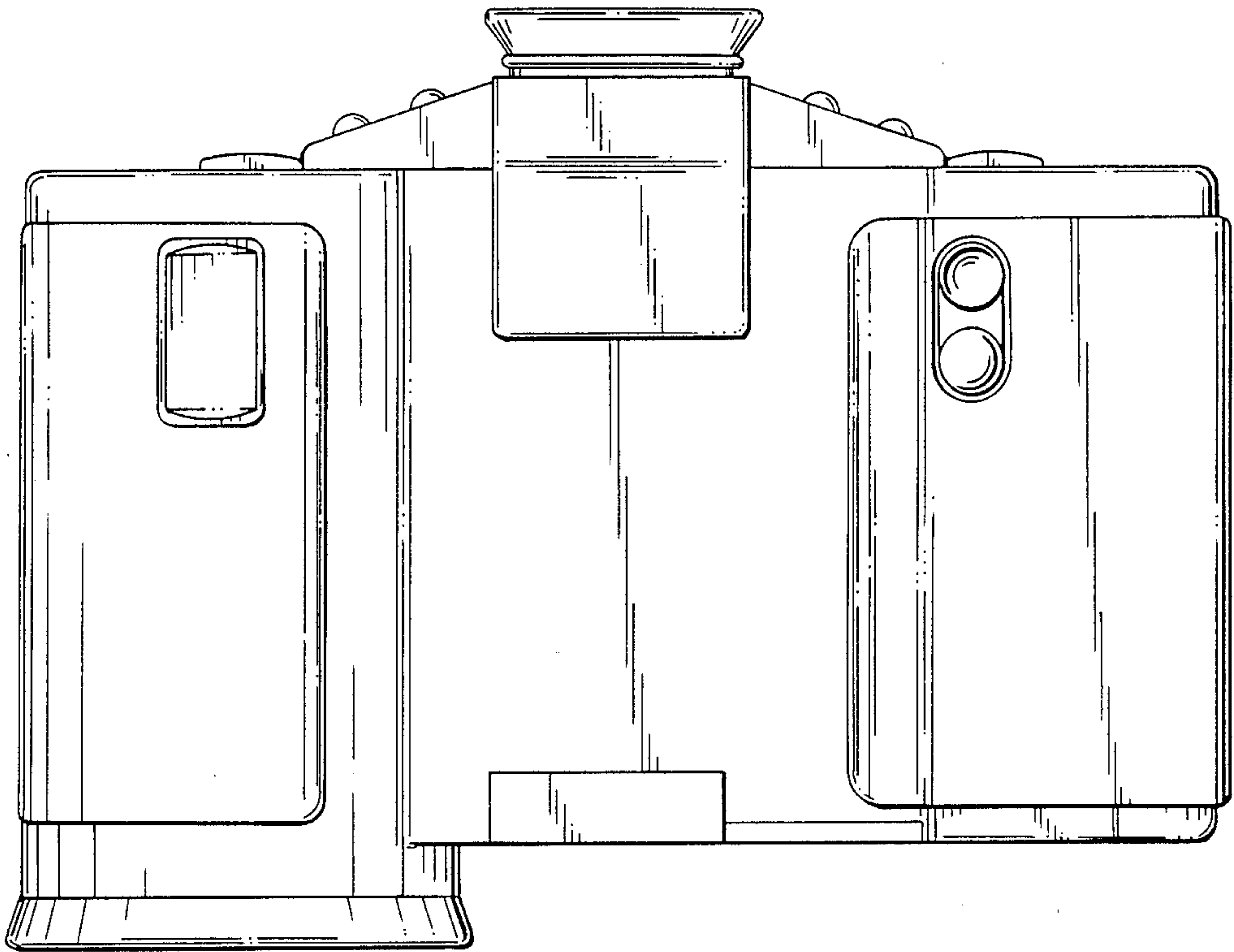


FIG 3

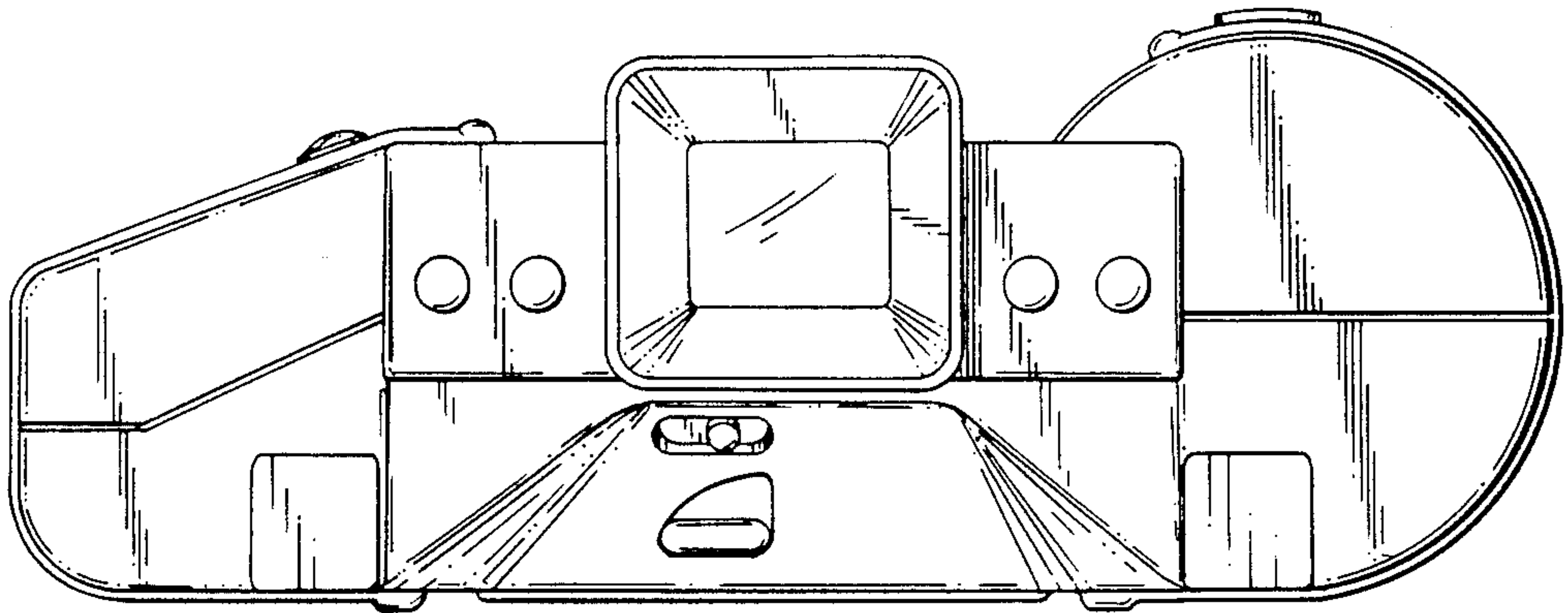


FIG 4

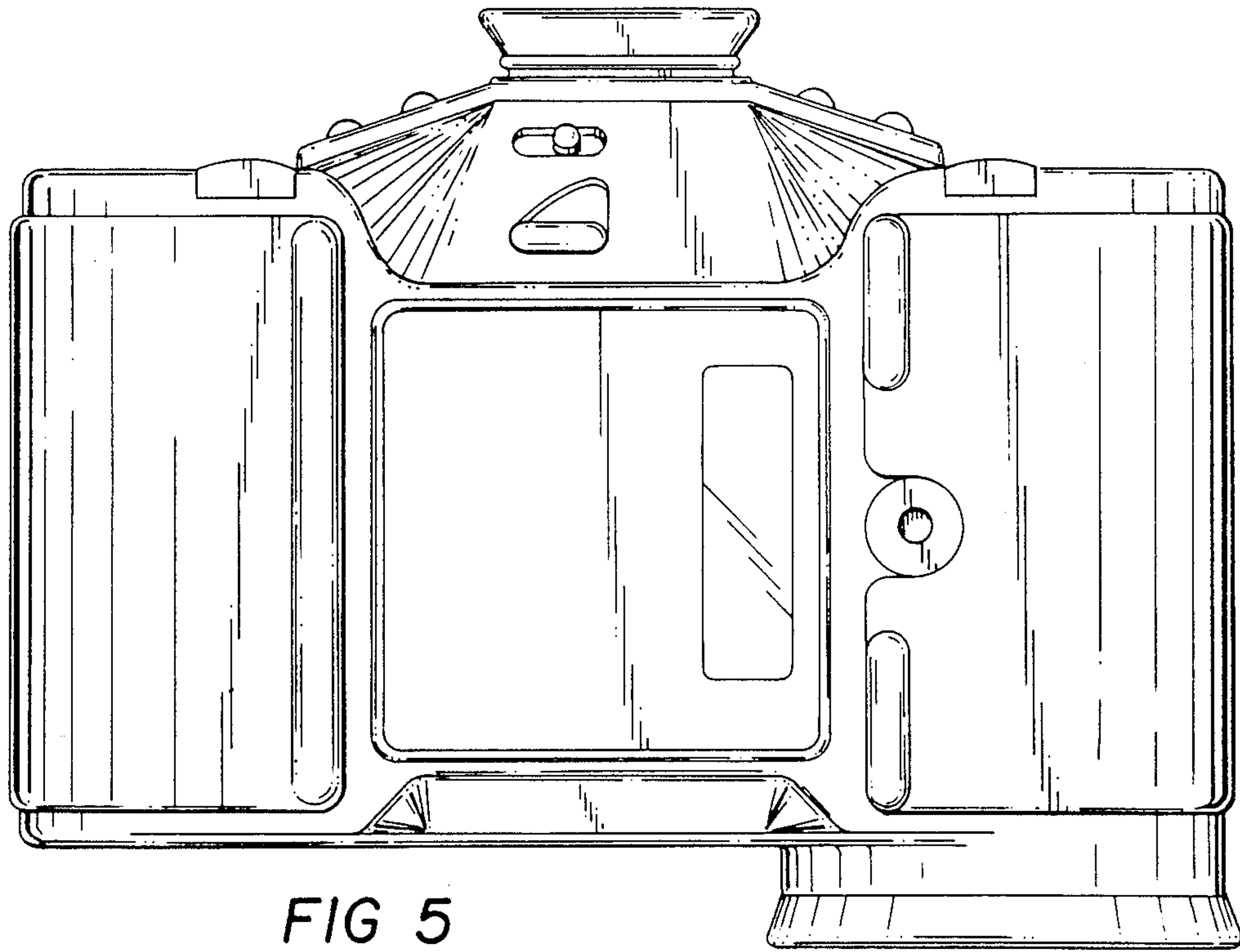


FIG 5

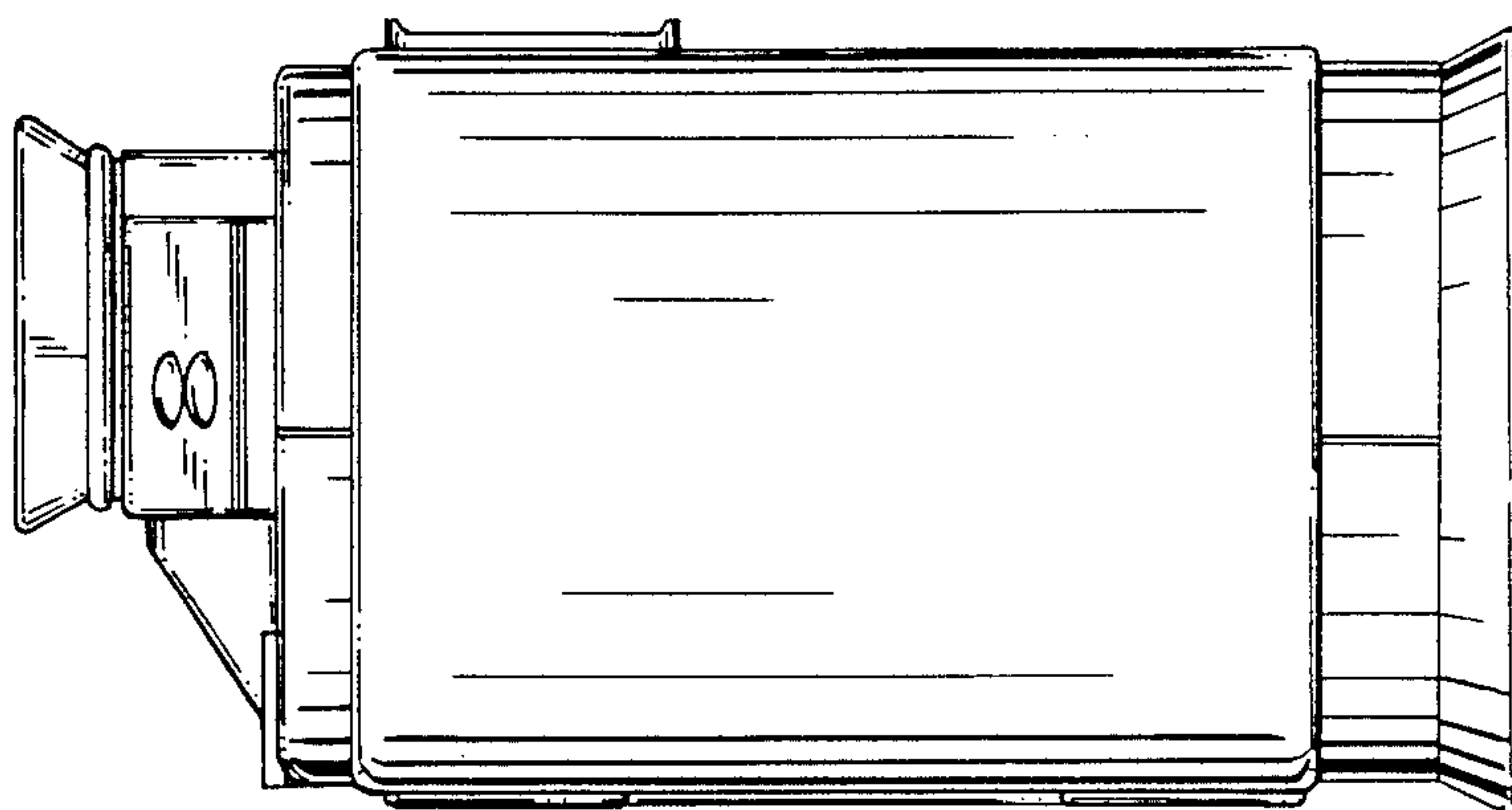


FIG 6

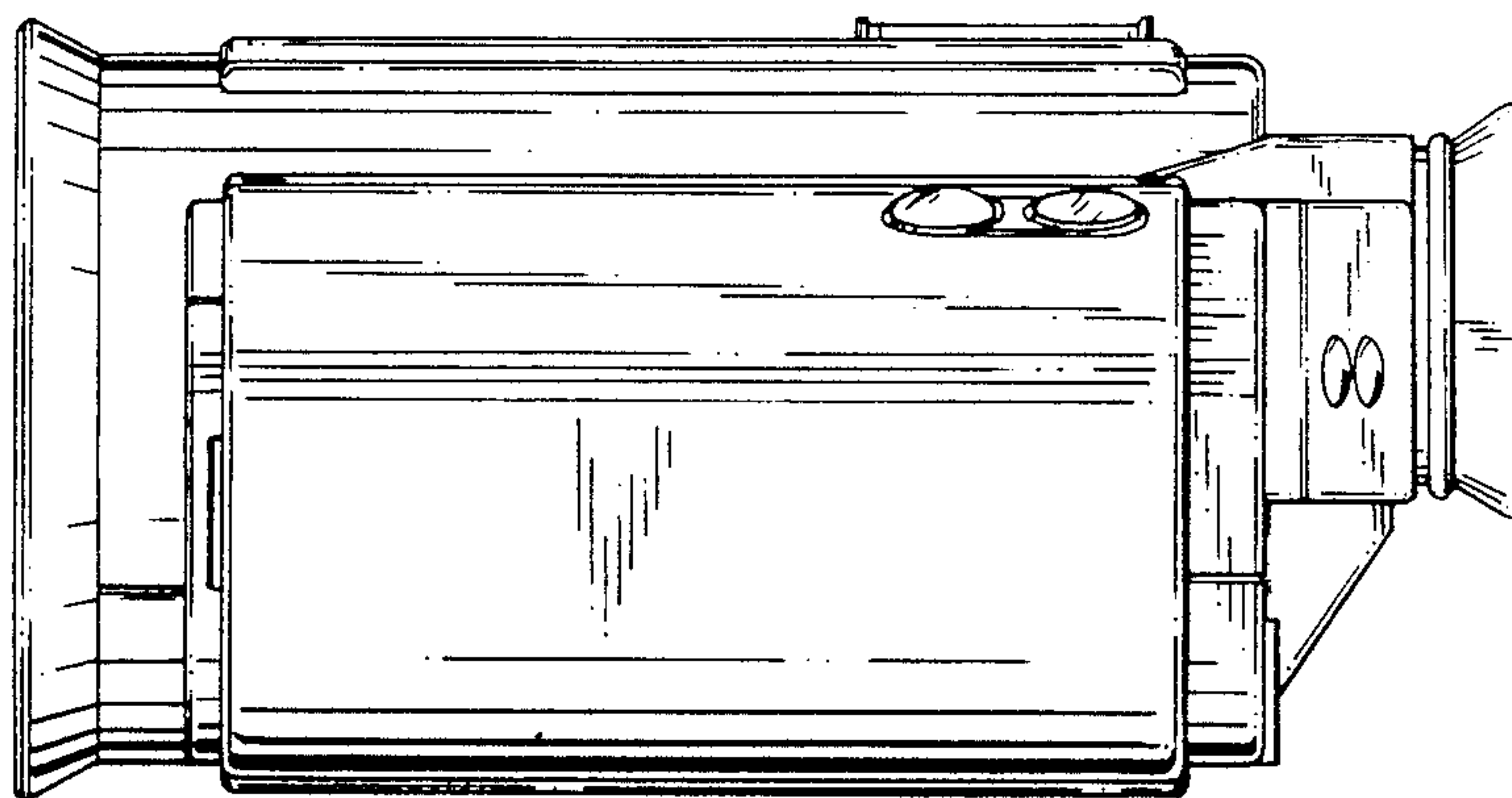


FIG 7