

- [54] HOUSING FOR A PORTABLE PUMP
- [75] Inventors: H. Alfred Eberhardt, Paoli; David L. Miller, Conshohocken; Michael A. Laskaris, Collegeville, all of Pa.
- [73] Assignee: Hale Fire Pump Company, Conshohocken, Pa.
- [**] Term: 14 Years
- [21] Appl. No.: 107,036
- [22] Filed: Oct. 13, 1987
- [52] U.S. Cl. D15/7
- [58] Field of Search D15/7, 9; D29/2, 4; 417/234, 235

D. 263,958 4/1982 Pelly D15/7
 3,885,892 5/1975 Dwyer 417/234

Primary Examiner—Wallace R. Burke
Assistant Examiner—Brian N. Vinson
Attorney, Agent, or Firm—Frank A. Follmer

[57] CLAIM

The ornamental design for a housing for a portable pump, as shown.

DESCRIPTION

FIG. 1 is a perspective view of a housing for a portable pump showing our new design;
 FIG. 2 is a front elevational view thereof;
 FIG. 3 is a left side elevational view thereof;
 FIG. 4 is a rear elevational view thereof;
 FIG. 5 is a right side elevational view thereof;
 FIG. 6 is a top plan view thereof; and
 FIG. 7 is a bottom plan view thereof.

- [56] **References Cited**
 U.S. PATENT DOCUMENTS
 D. 217,399 4/1970 Whitney D15/7

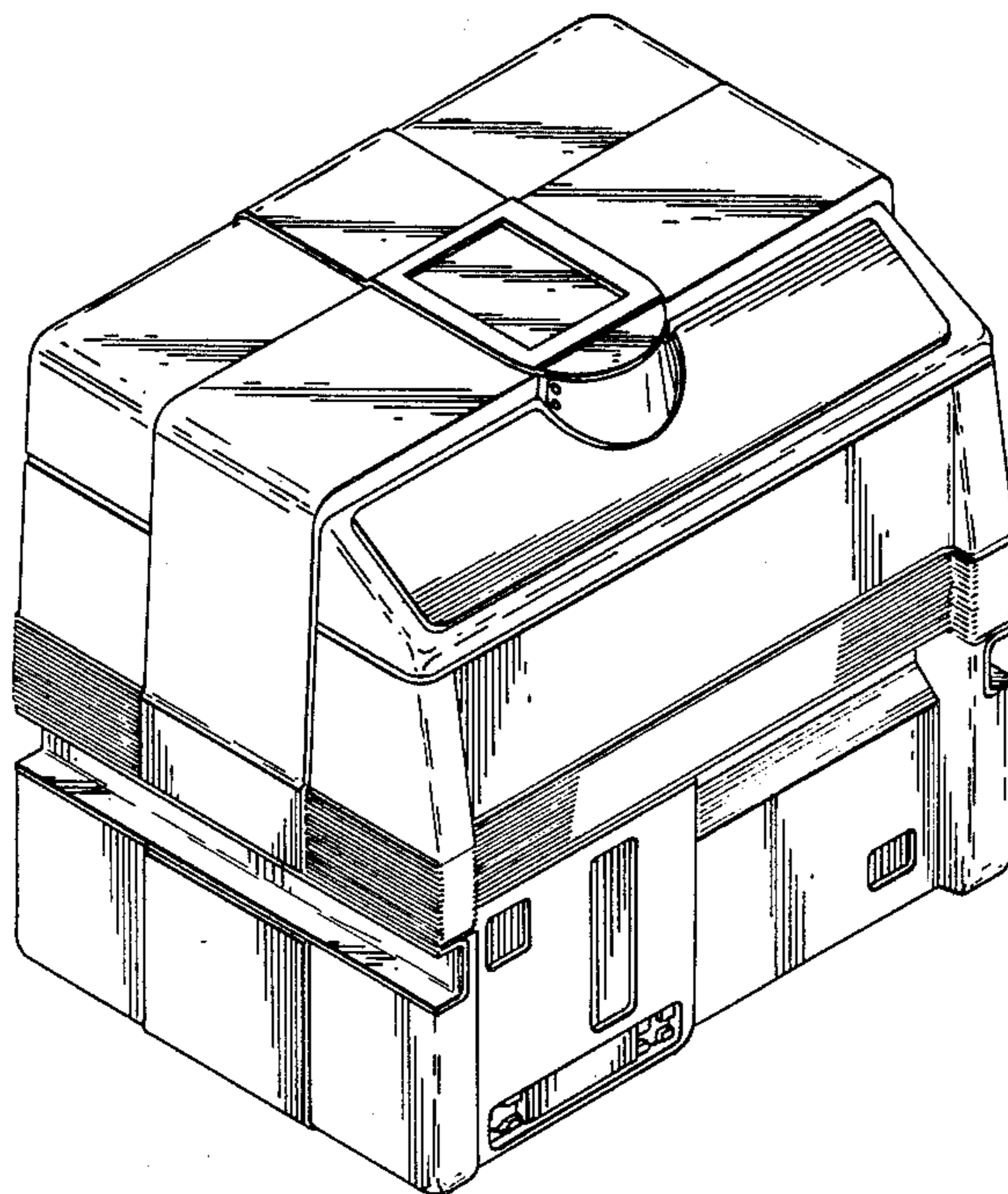
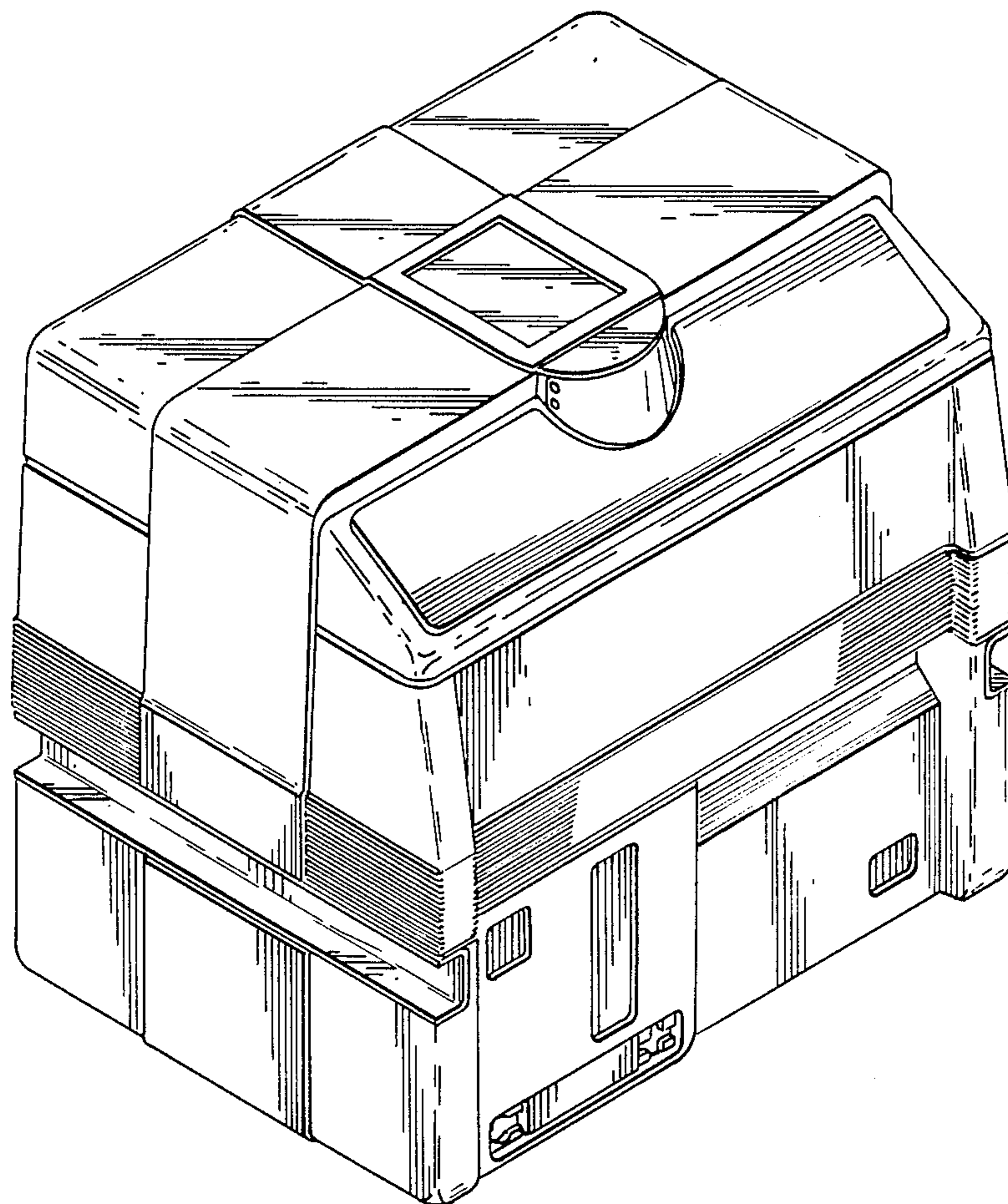


FIG. 1



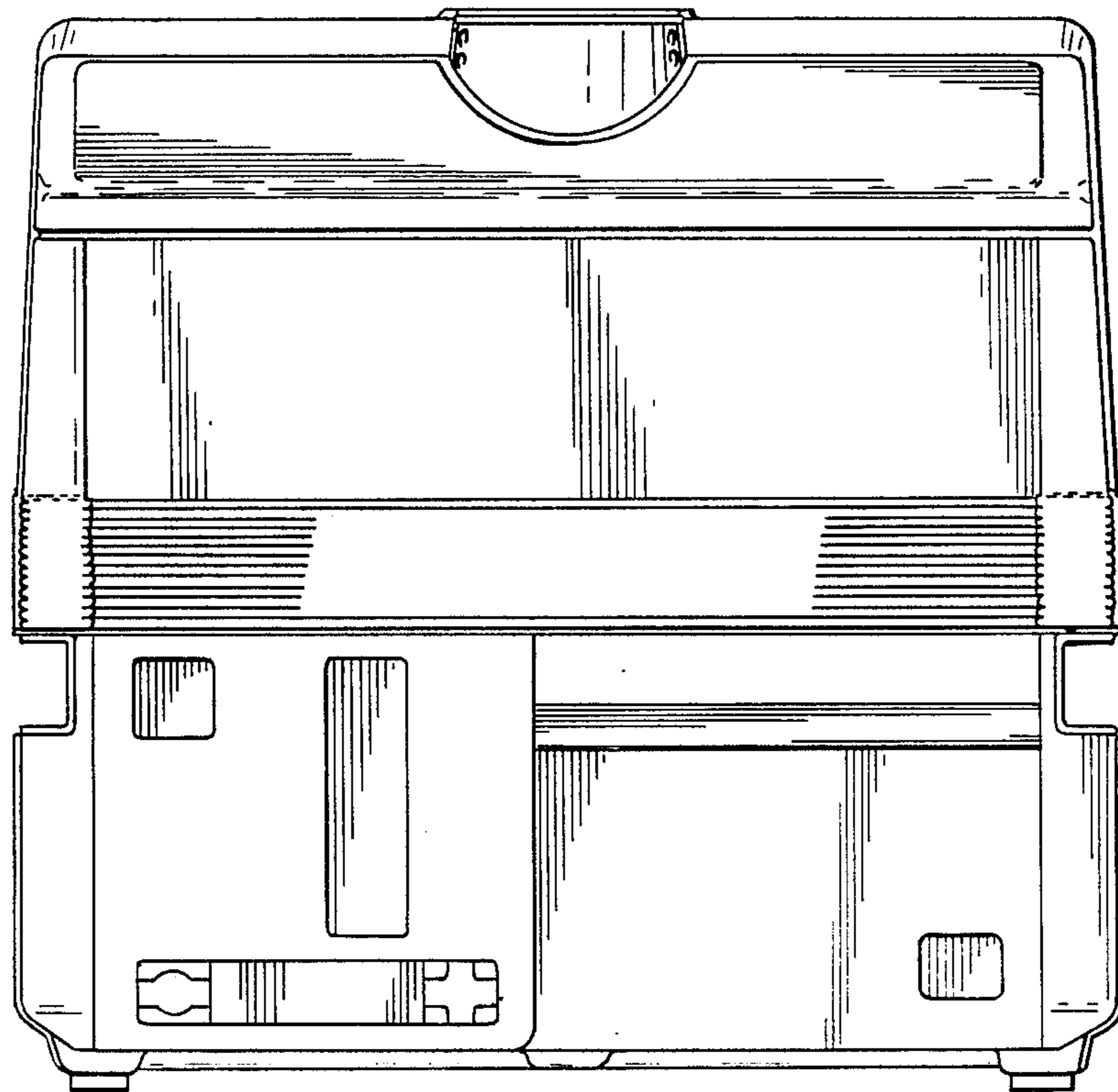


FIG. 2

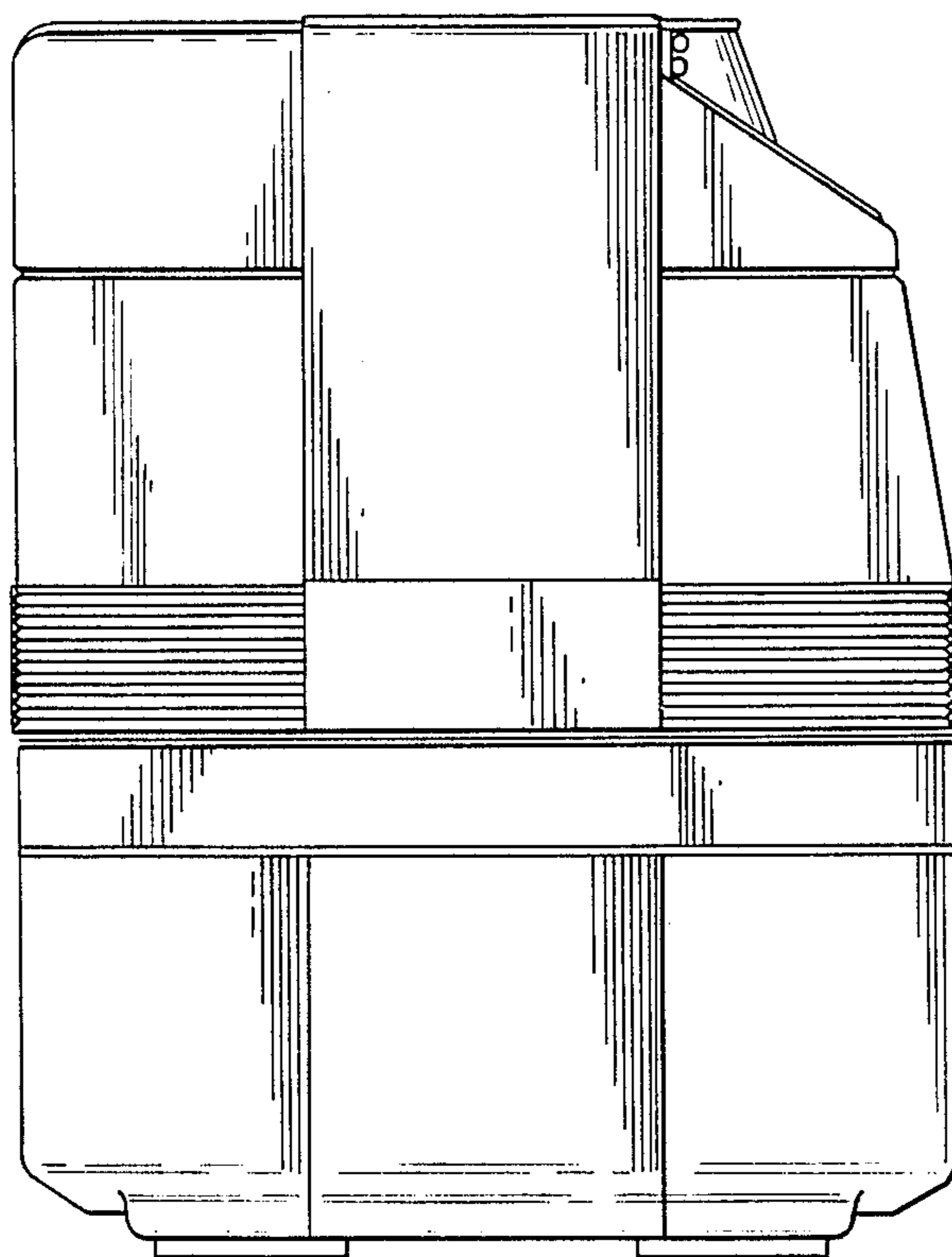


FIG. 3

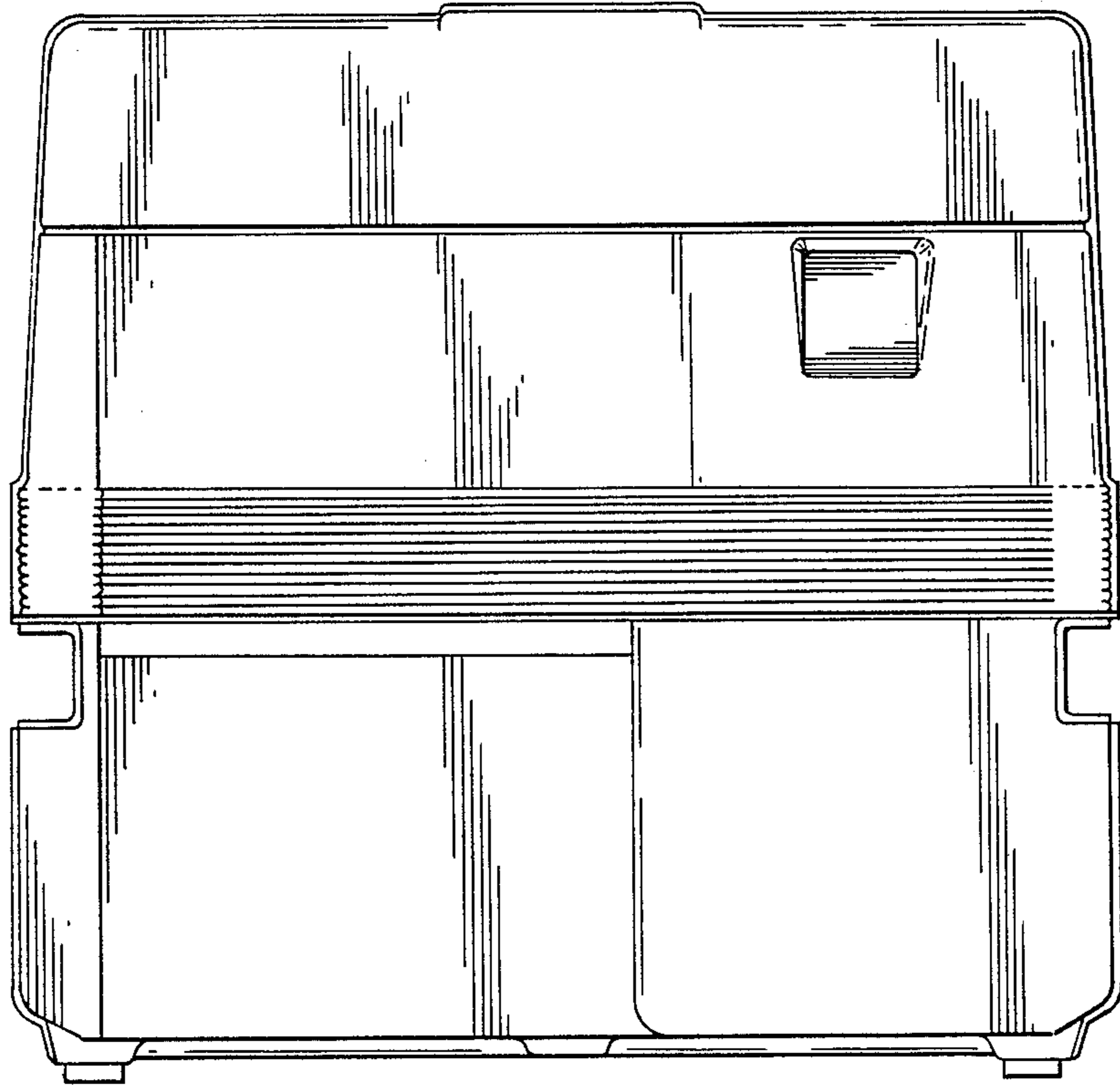


FIG. 4

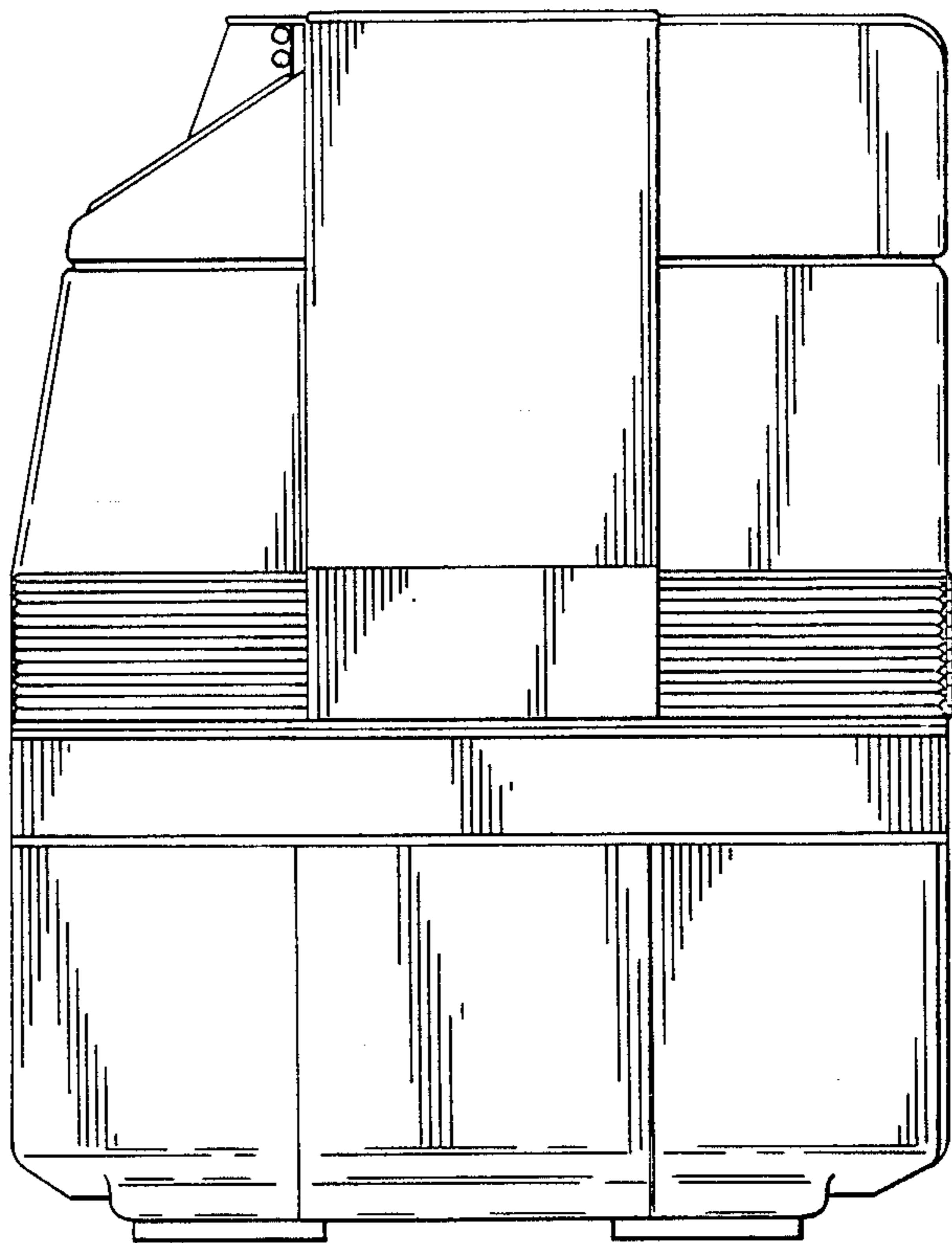


FIG. 5

FIG. 6

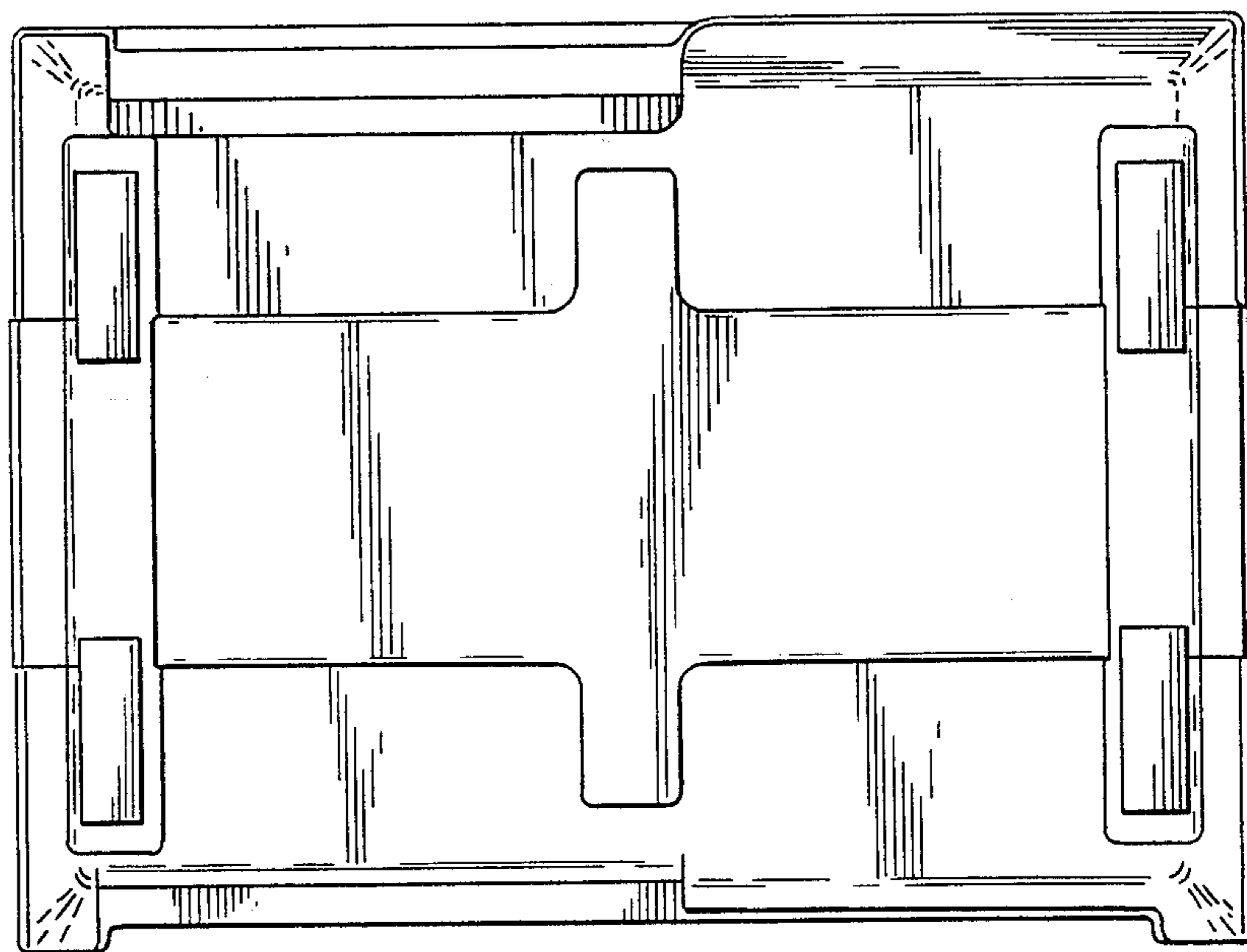
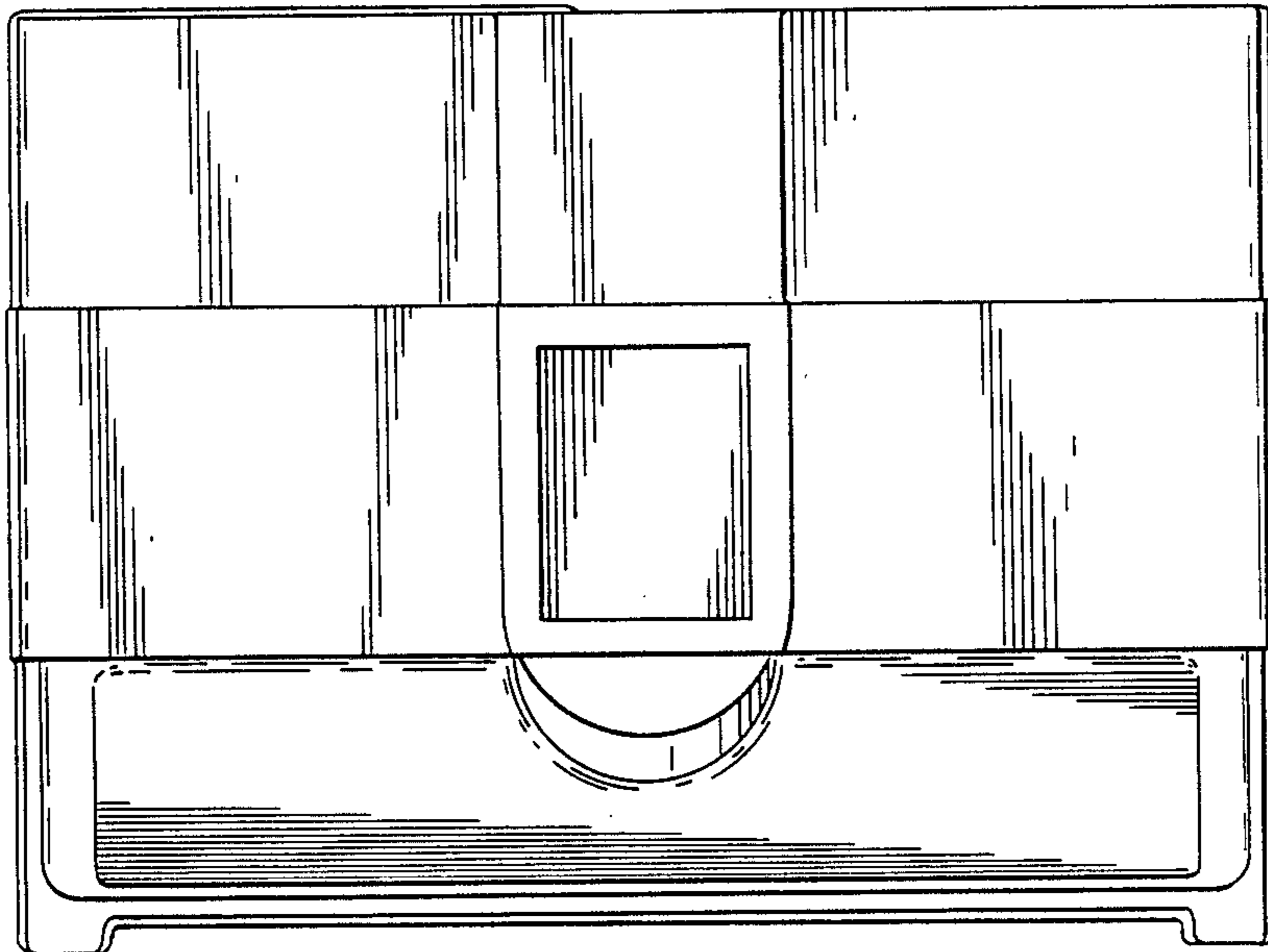


FIG. 7