

[54] PUMP

[75] Inventor: Stanley T. Gresens, Chicago, Ill.

[73] Assignee: Attwood Corporation, Lowell, Mich.

[\*\*] Term: 14 Years

[21] Appl. No.: 27,674

[22] Filed: Mar. 19, 1987

[52] U.S. Cl. .... D15/7

[58] Field of Search ..... D15/7, 9; 417/1, 38-40, 417/234, 410-411, 572, 360, 424

[56] References Cited

U.S. PATENT DOCUMENTS

D. 165,727	1/1952	Zimmer, Jr. ....	D15/7
D. 239,210	3/1976	Marlow .....	D15/7
D. 262,114	12/1981	Rowlands .....	D15/7
D. 289,051	3/1987	Belletire .....	D15/7
3,992,130	11/1984	Childress .....	417/38 X

OTHER PUBLICATIONS

F & W brochure (Jan. 1986)-"Pressure Booster Pump".

Primary Examiner—Wallace R. Burke

Assistant Examiner—Brian N. Vinson

Attorney, Agent, or Firm—Price, Heneveld, Cooper, DeWitt & Litton

[57] CLAIM

An ornamental design for a pump, as shown and described.

DESCRIPTION

FIG. 1 is a top perspective view of a pump showing my new design;

FIG. 2 is a side elevational view thereof;

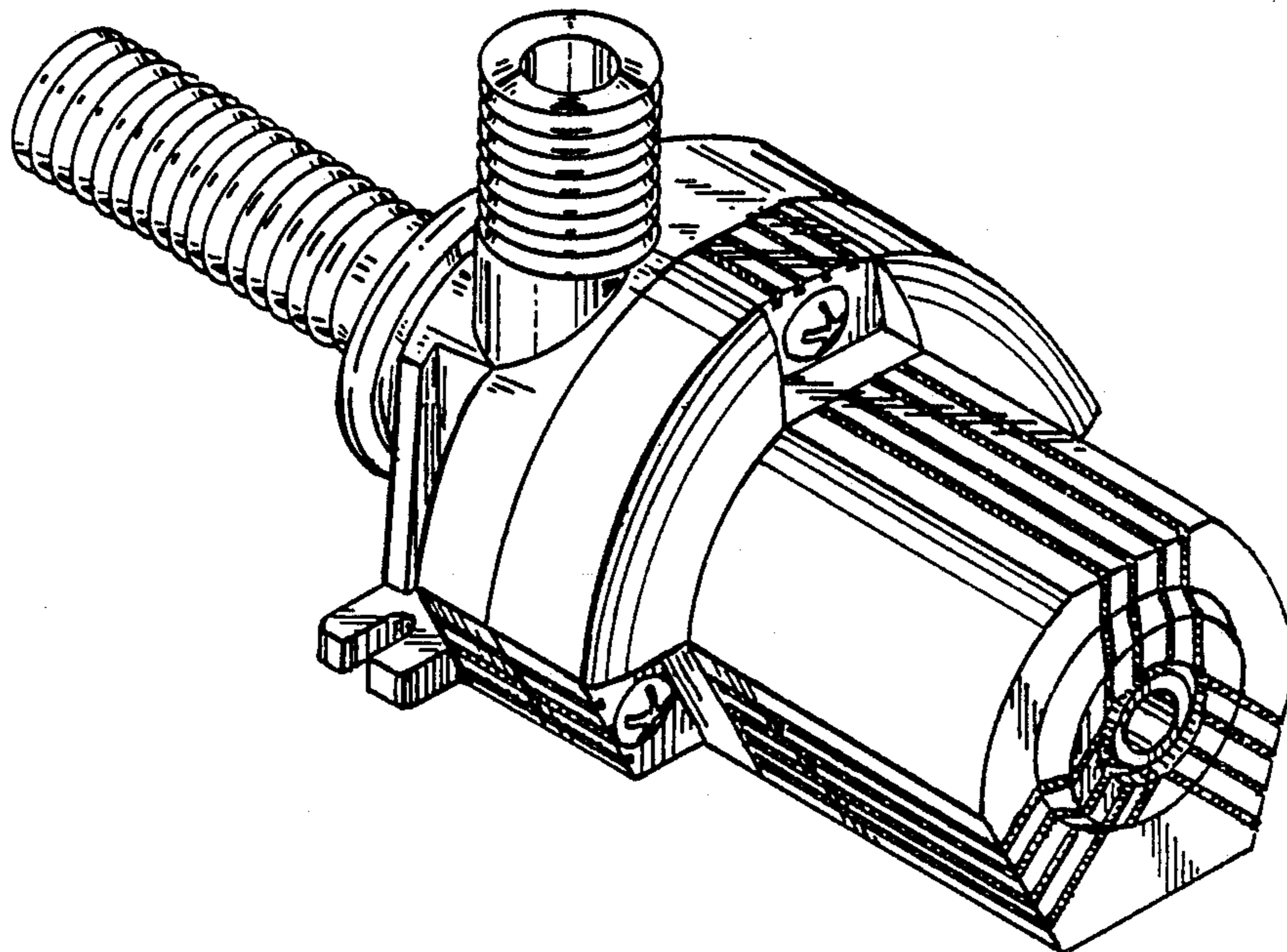
FIG. 3 is a bottom plan view thereof;

FIG. 4 is an opposite side elevational view thereof;

FIG. 5 is a top plan view thereof;

FIG. 6 is a front elevational view thereof; and

FIG. 7 is a rear elevational view thereof.



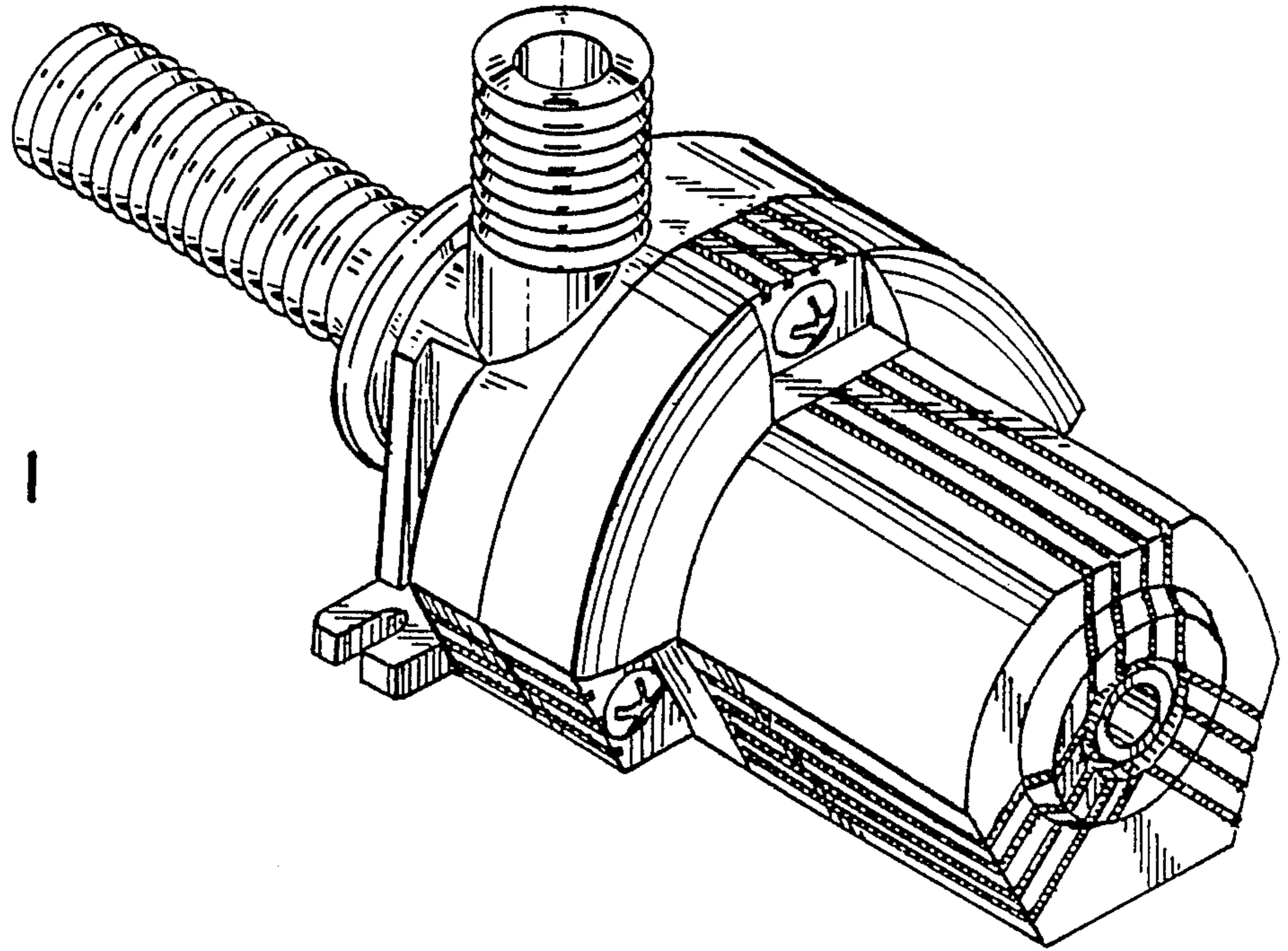


FIG. 1

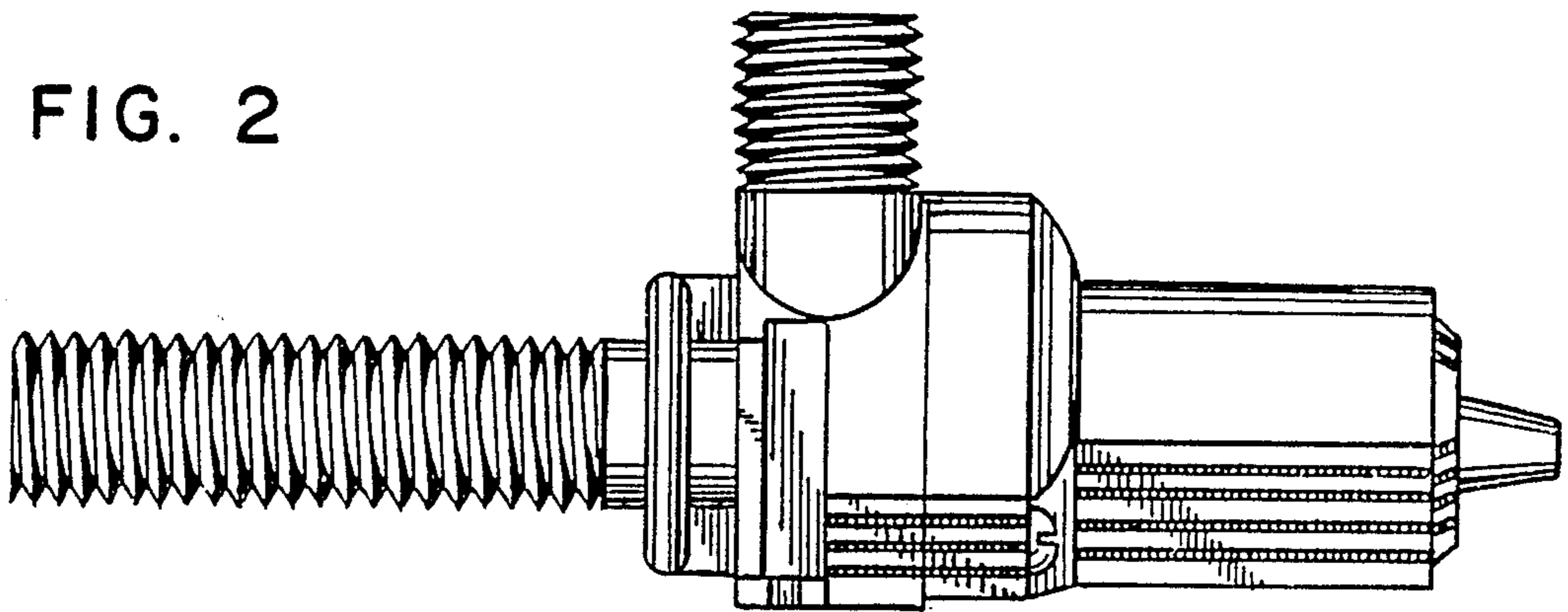


FIG. 2

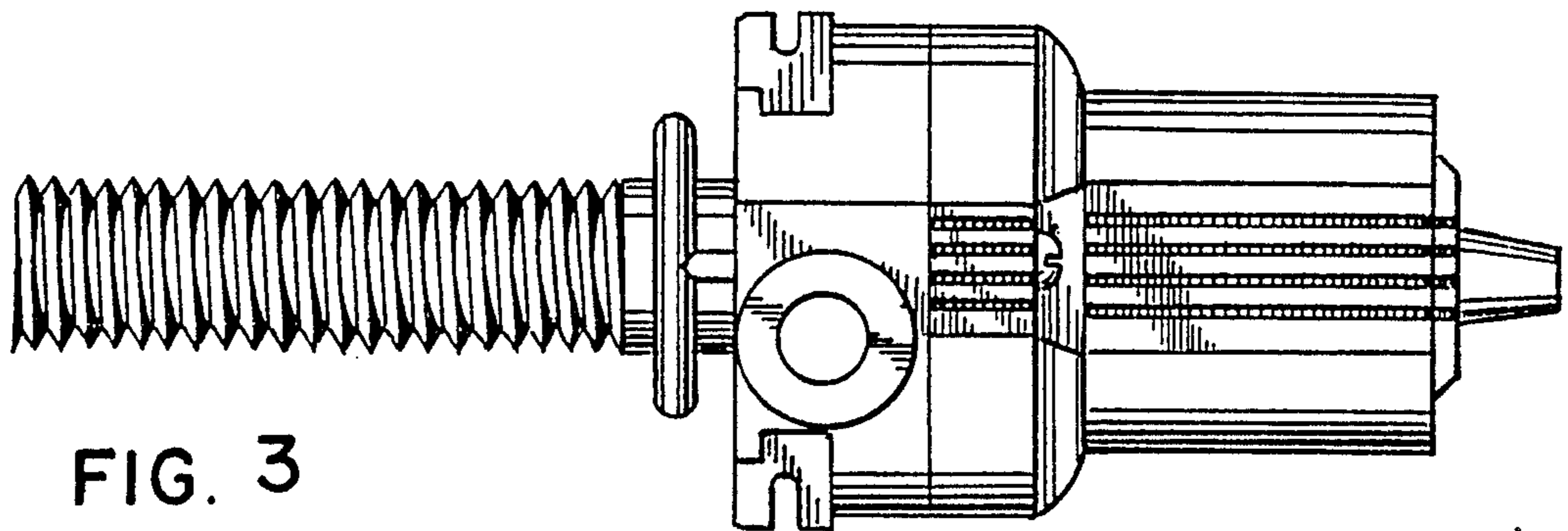


FIG. 3

FIG. 4

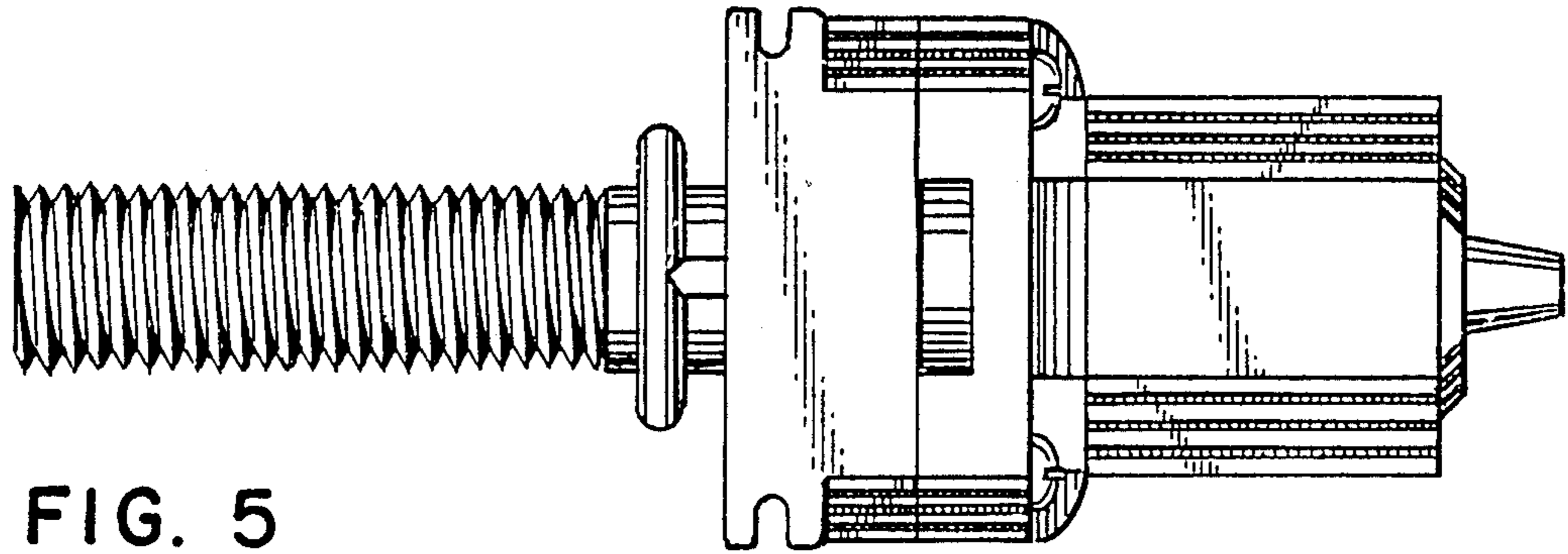
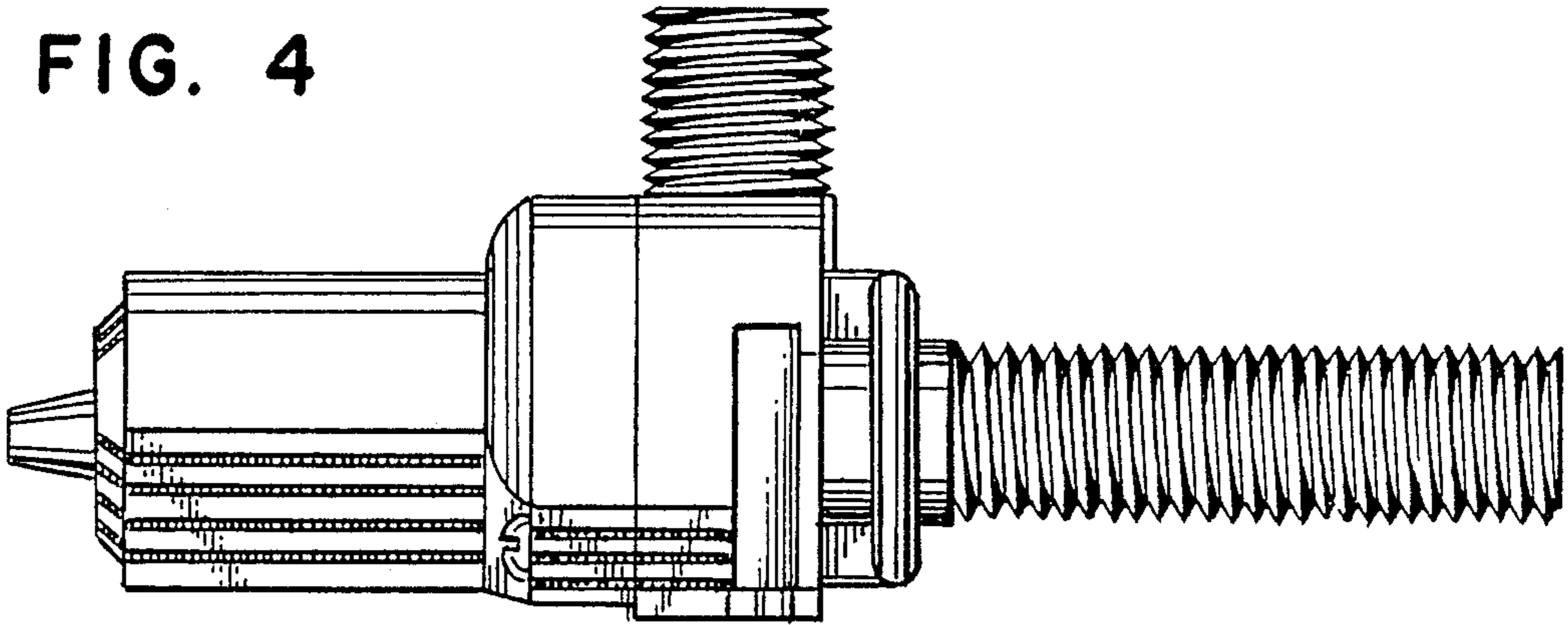


FIG. 5

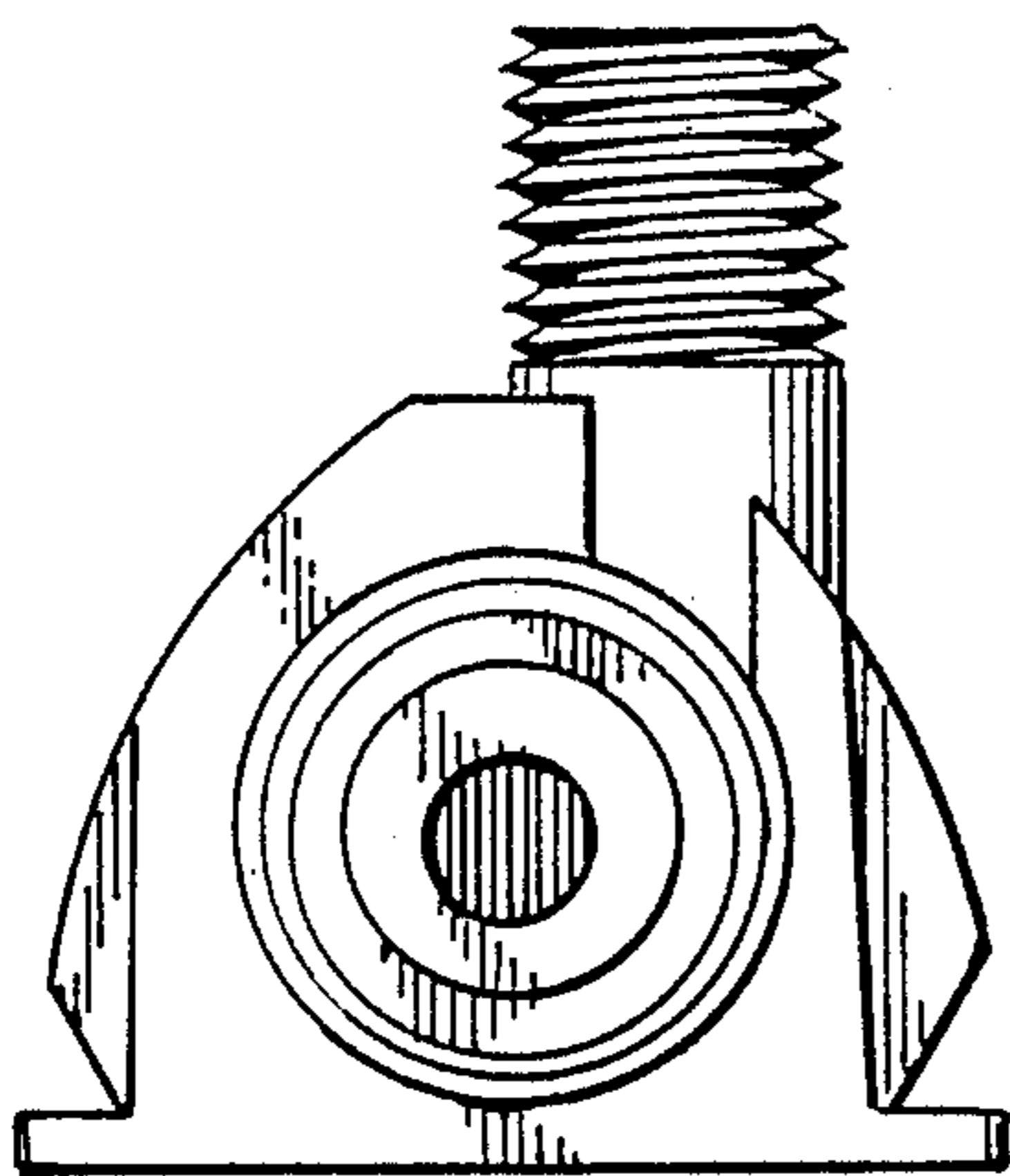


FIG. 6

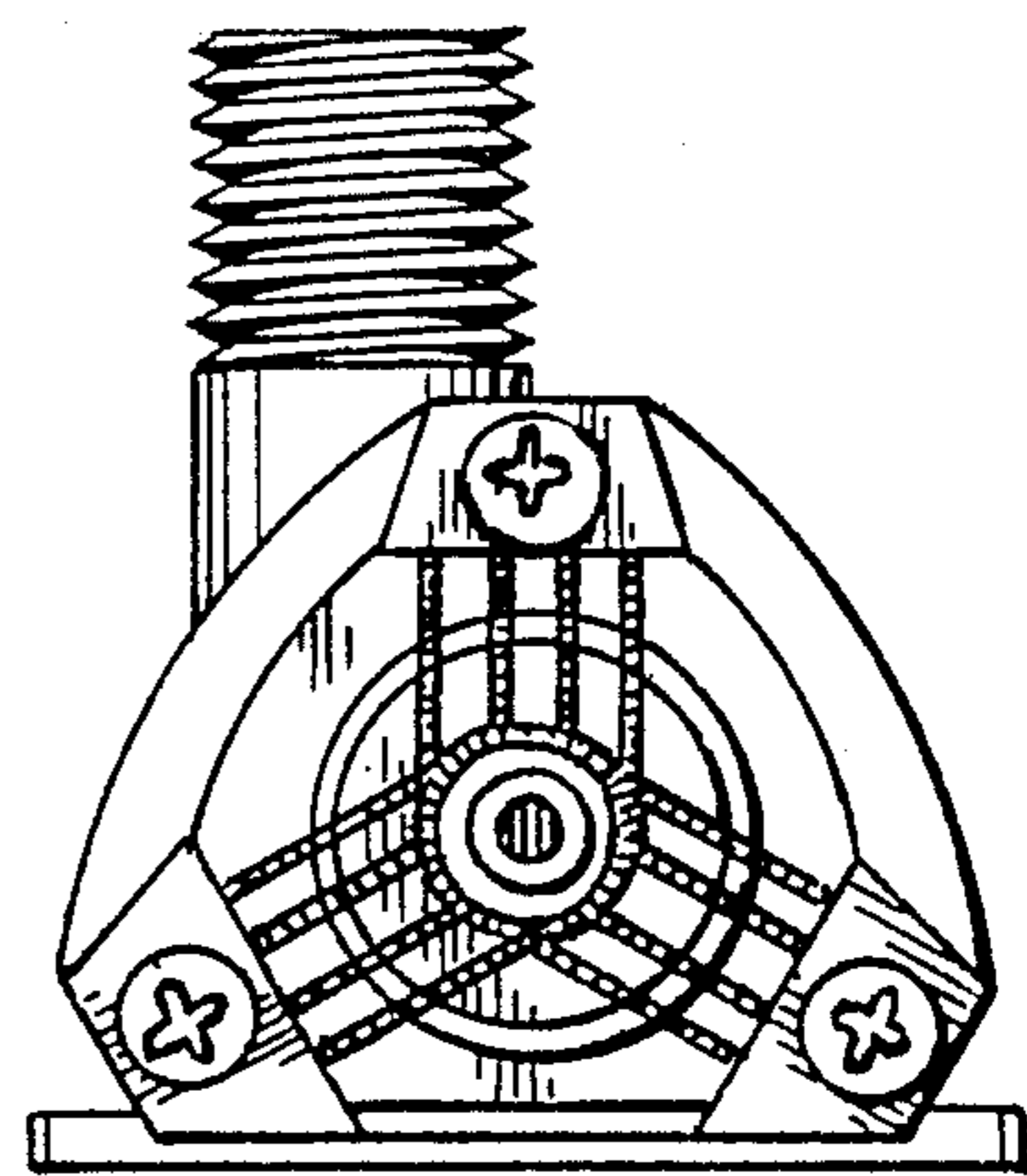


FIG. 7