

[54] INTERCHANGEABLE CIRCUIT MODULE FOR A PORTABLE HAND-HELD COMPUTER

D. 285,926 9/1986 Kies et al. D14/114
D. 286,053 10/1986 McDaniel et al. D13/40 X
D. 298,629 11/1988 Mochizuki D14/114
4,106,076 8/1978 Miller et al. 361/394

[75] Inventors: George L. Siegner, Post Falls, Id.;
David C. Shoptaw, Newport, Wash.

Primary Examiner—Susan J. Lucas
Assistant Examiner—Freda S. Nunn
Attorney, Agent, or Firm—Wells, St. John & Roberts

[73] Assignee: Itron, Inc., Spokane, Wash.

[**] Term: 14 Years

[57] CLAIM

[21] Appl. No.: 925,125

The ornamental design for interchangeable circuit module for a portable hand-held computer, as shown and described.

[22] Filed: Oct. 30, 1986

[52] U.S. Cl. D14/114

DESCRIPTION

[58] Field of Search D14/100-117;
D13/4, 10, 12, 13, 34; 360/97, 98, 99, 132, 133;
361/330, 331, 332, 352, 334-335, 348, 380, 381,
379, 390-395, 384, 415, 426, 358, 2, 4, 9;
312/299, 304, 208, 275, 270, 253; 364/708;
211/41, 26, 126; 174/50, 52 R; 200/5 R, 5 A, 6
R, 6 A

FIG. 1 is a top perspective view of an interchangeable circuit module for a portable hand-held computer showing our new design;
FIG. 2 is a top plan view thereof;
FIG. 3 is a bottom plan view thereof;
FIG. 4 is a side elevational view thereof, the opposite side being a mirror image;
FIG. 5 is an end elevational view thereof from the left of FIG. 2;
FIG. 6 is an end elevational view thereof from the right of FIG. 2; and
FIG. 7 is a bottom perspective view thereof.

[56] References Cited

U.S. PATENT DOCUMENTS

D. 284,195 6/1986 Davis et al. D14/114
D. 285,569 9/1986 Reitz et al. D14/114

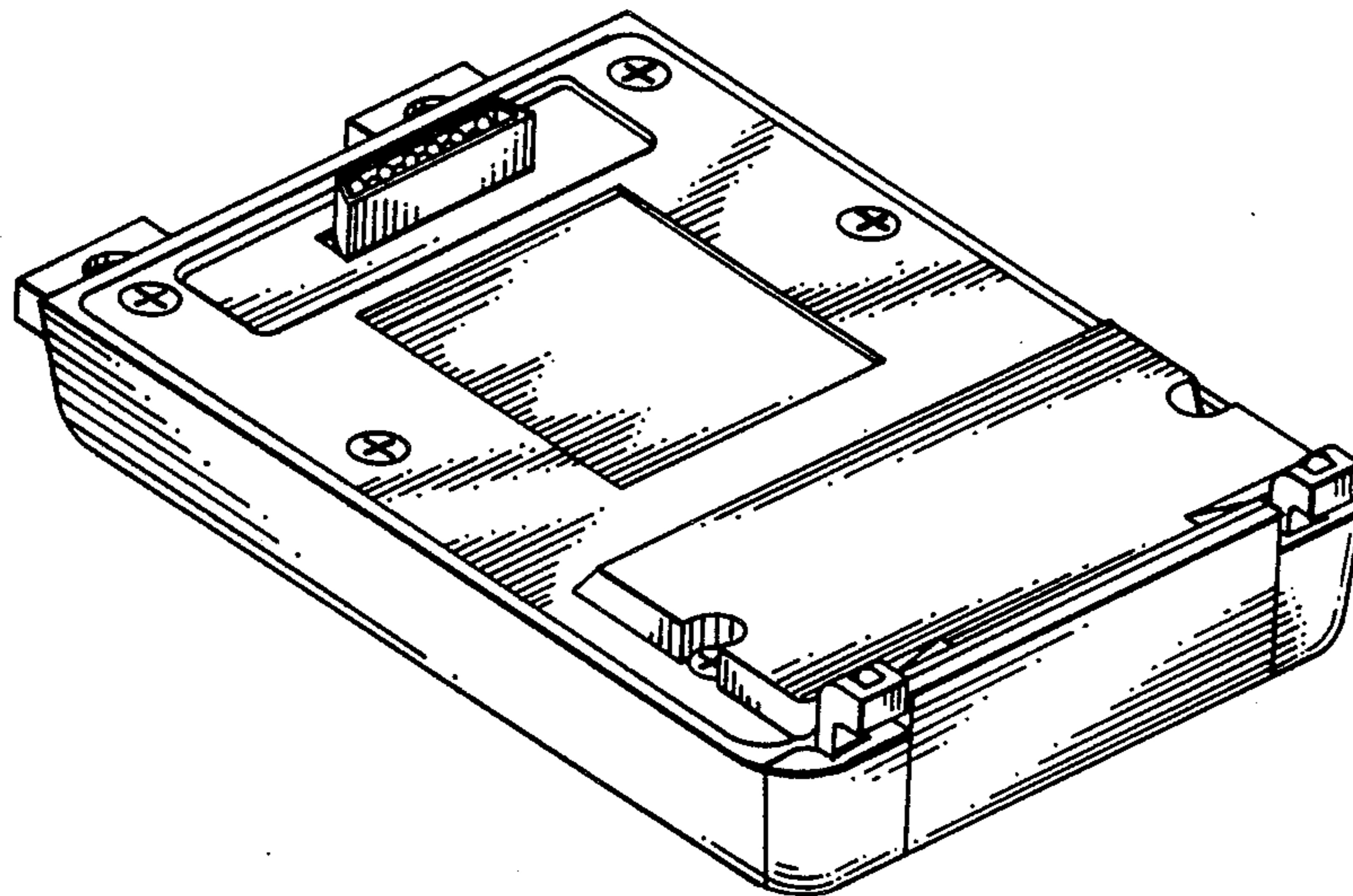


FIG 1

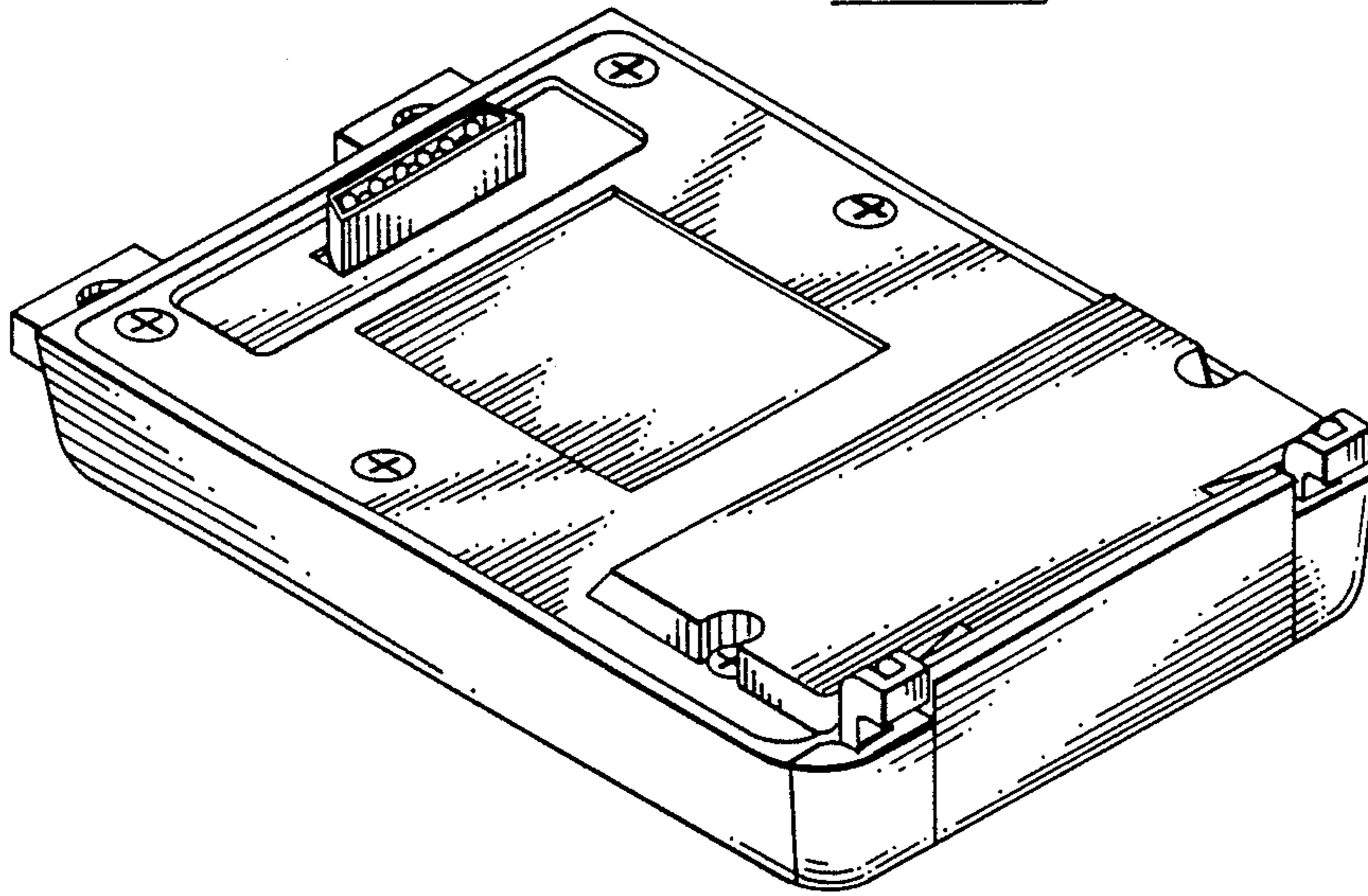
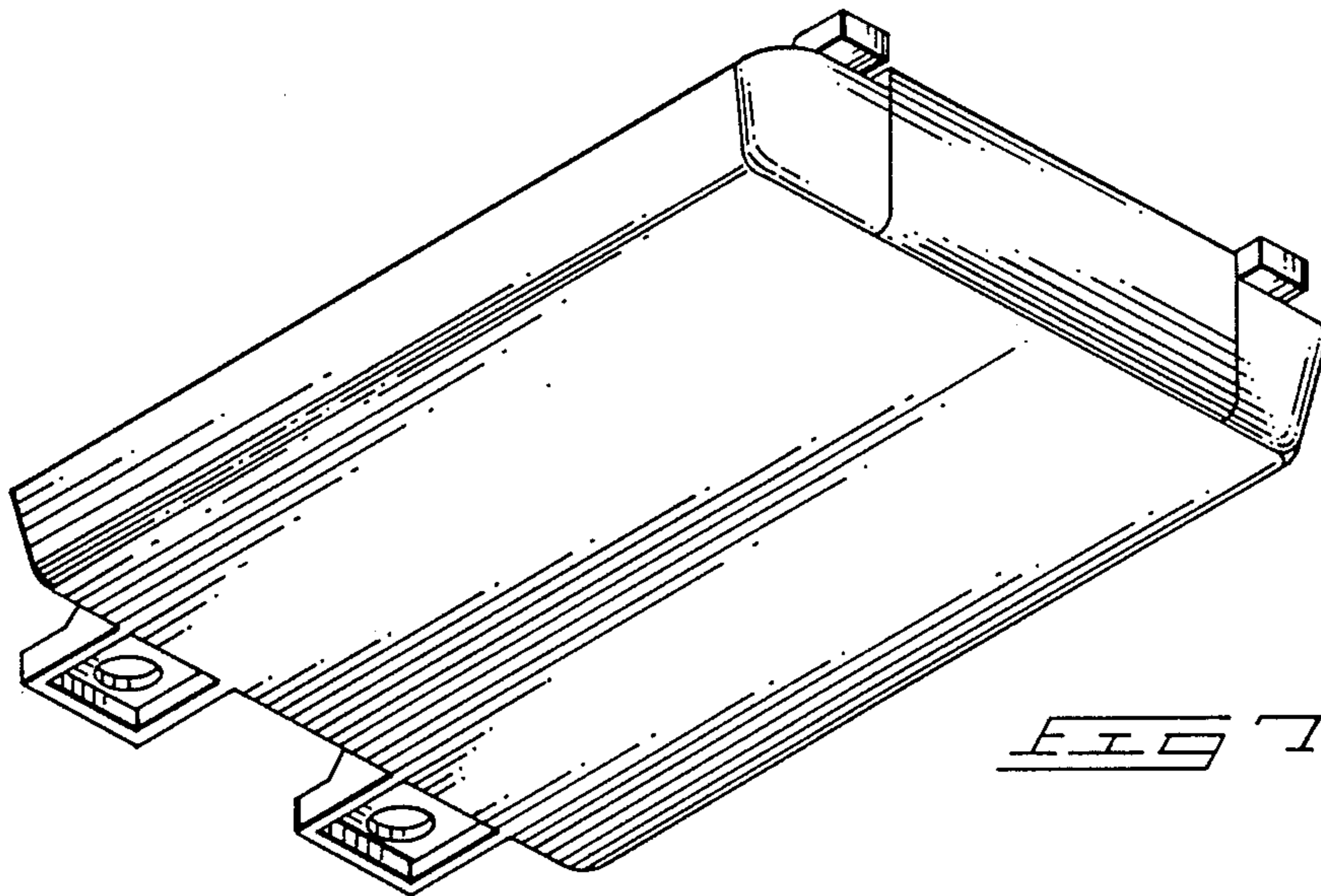


FIG 2



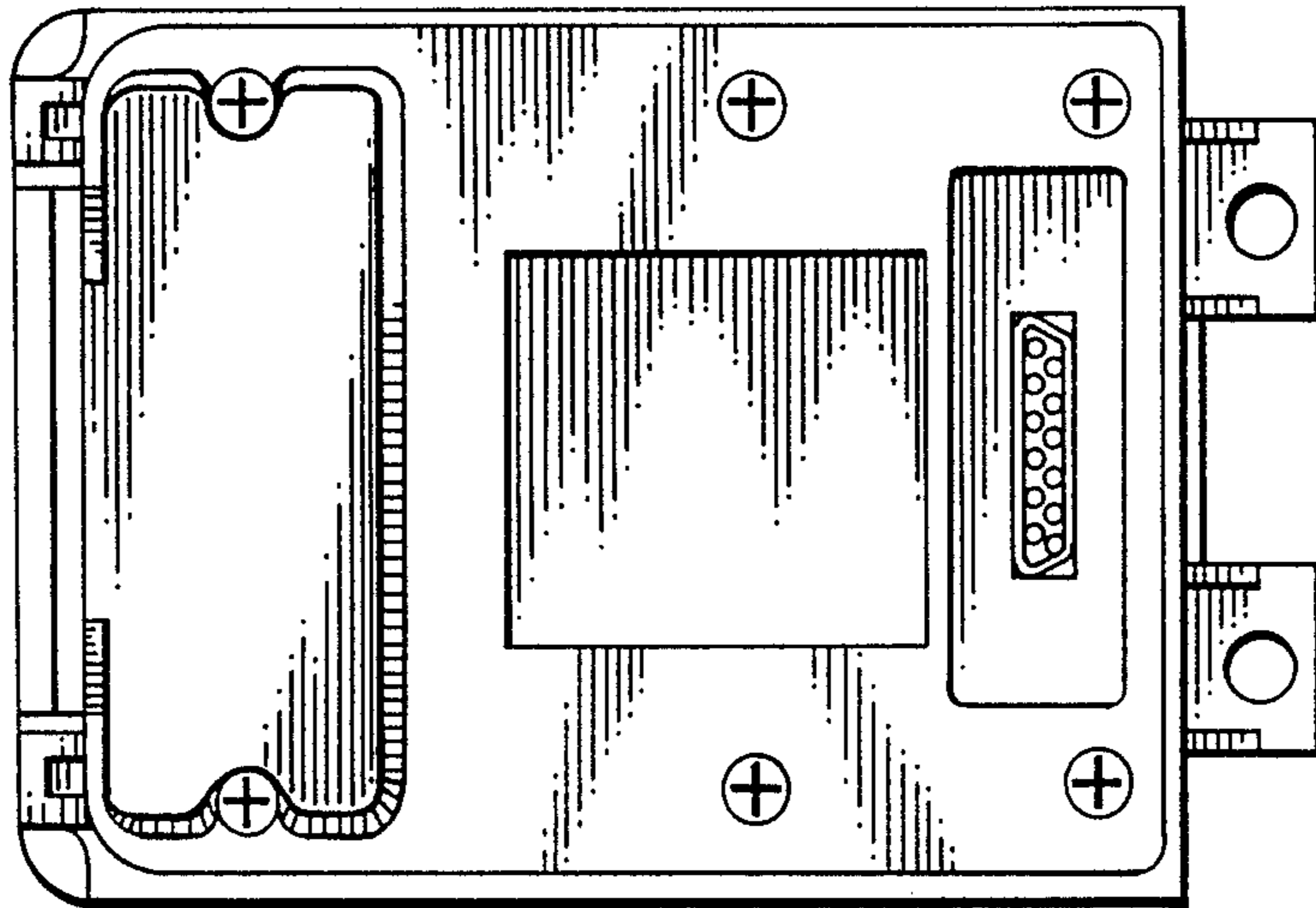


FIG 2

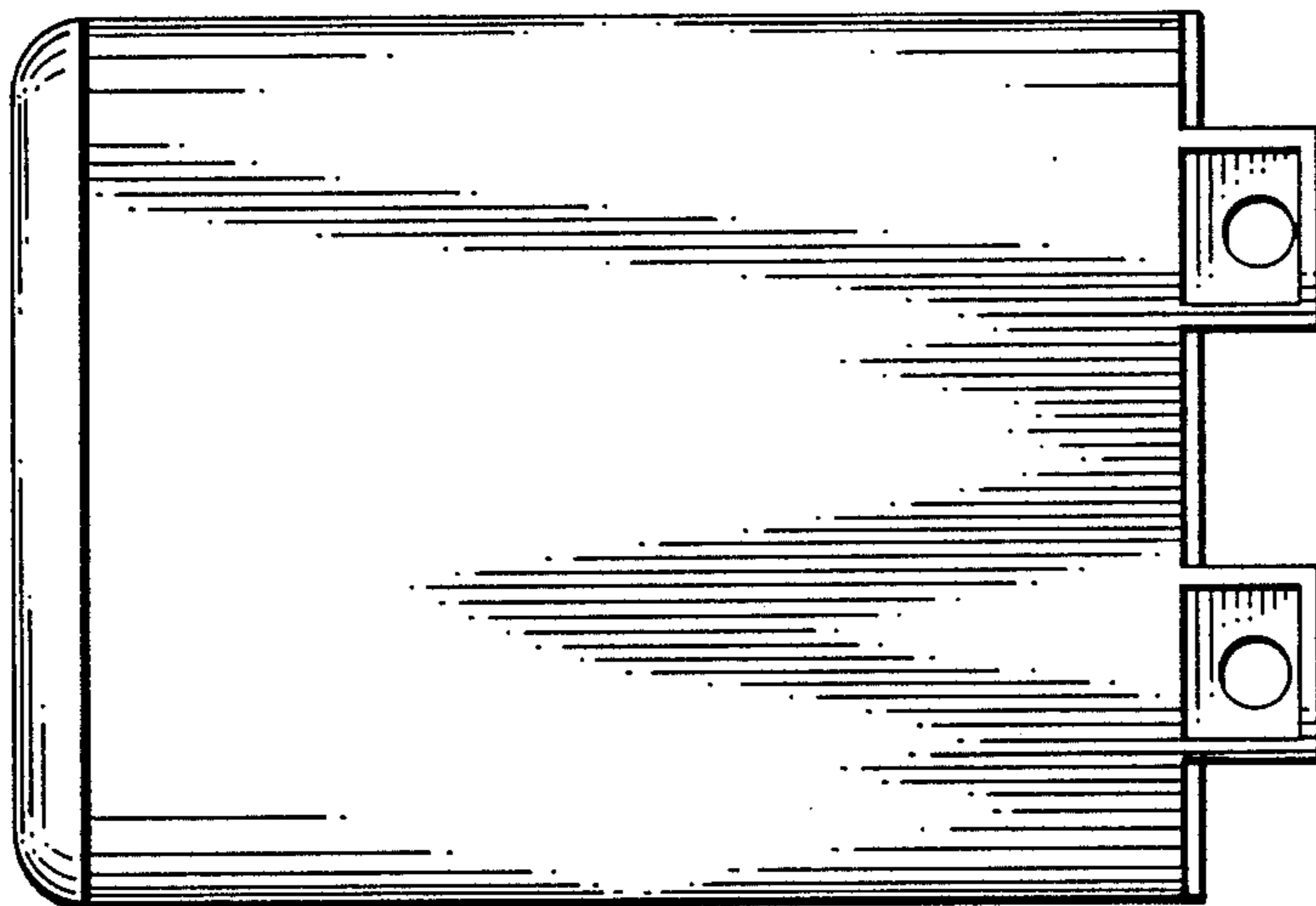


FIG 3

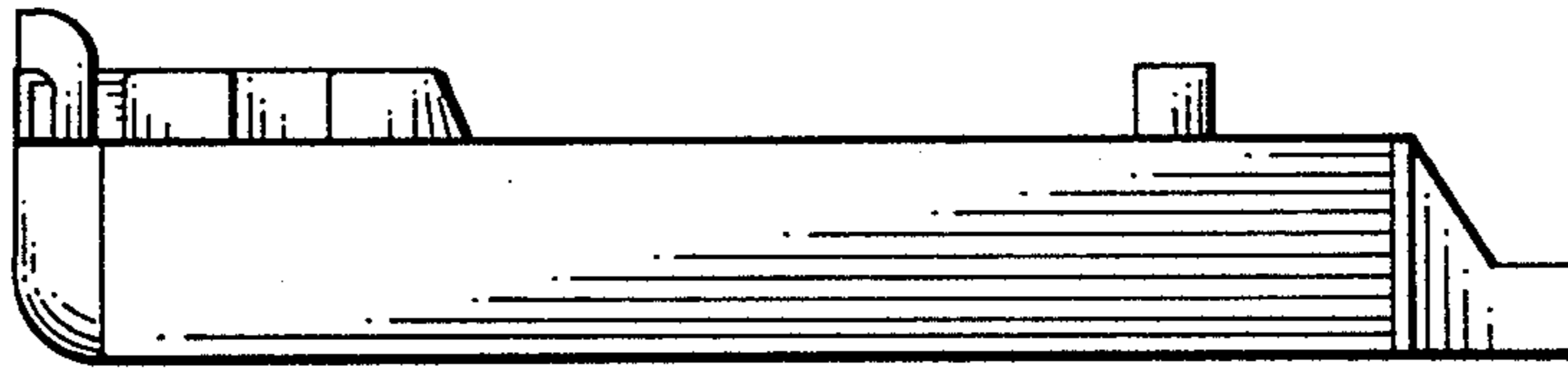


FIG 4

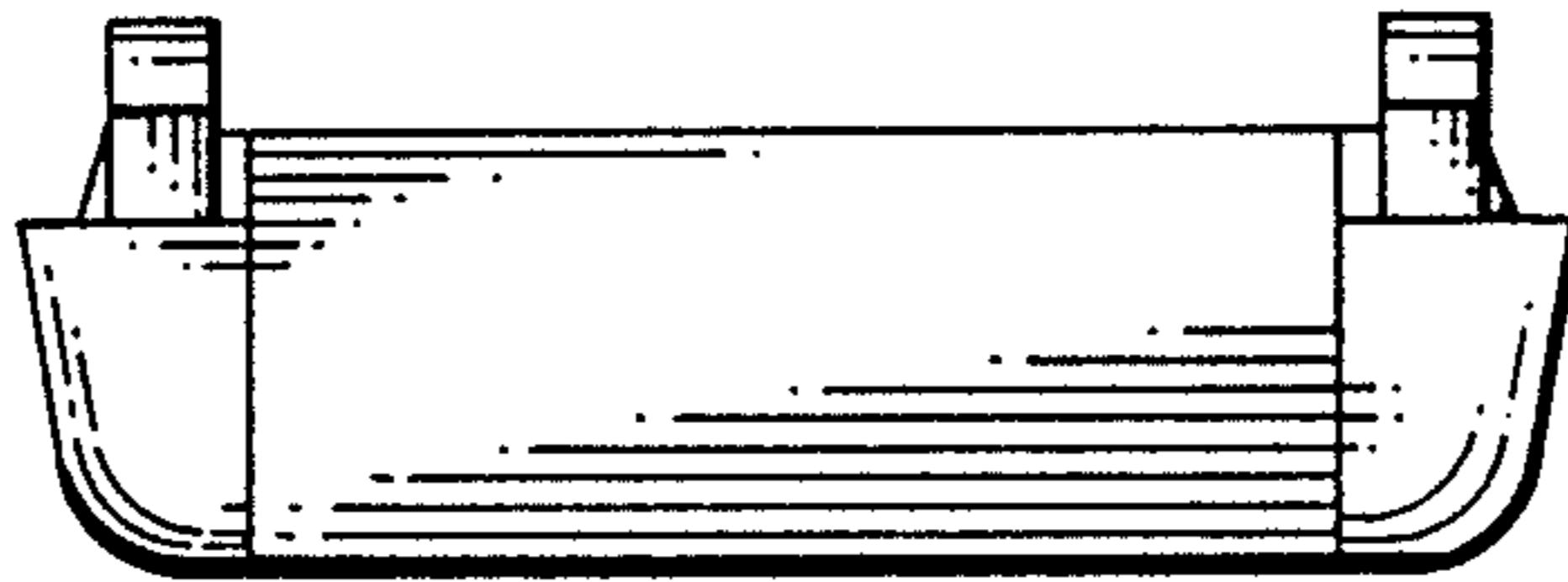


FIG 5



FIG 6