

[54] DATA ENTRY & DISPLAY

4,189,912 2/1980 Washizuka et al. .... 364/708 X  
4,454,414 6/1984 Benton ..... 235/380 X

[75] Inventors: Dino M. Savio, Clearwater; Joseph F. Talerico, Boca Raton, both of Fla.

Primary Examiner—Susan J. Lucas  
Attorney, Agent, or Firm—H. H. Sweeney, Jr.; M. H. Klitzman

[73] Assignee: International Business Machines Corporation, Armonk, N.Y.

[57] CLAIM

[\*\*] Term: 14 Years

The ornamental design for a data entry and display terminal, as shown and described.

[21] Appl. No.: 879,237

DESCRIPTION

[22] Filed: Jun. 26, 1986

[52] U.S. Cl. .... D14/100; D14/105; D18/7

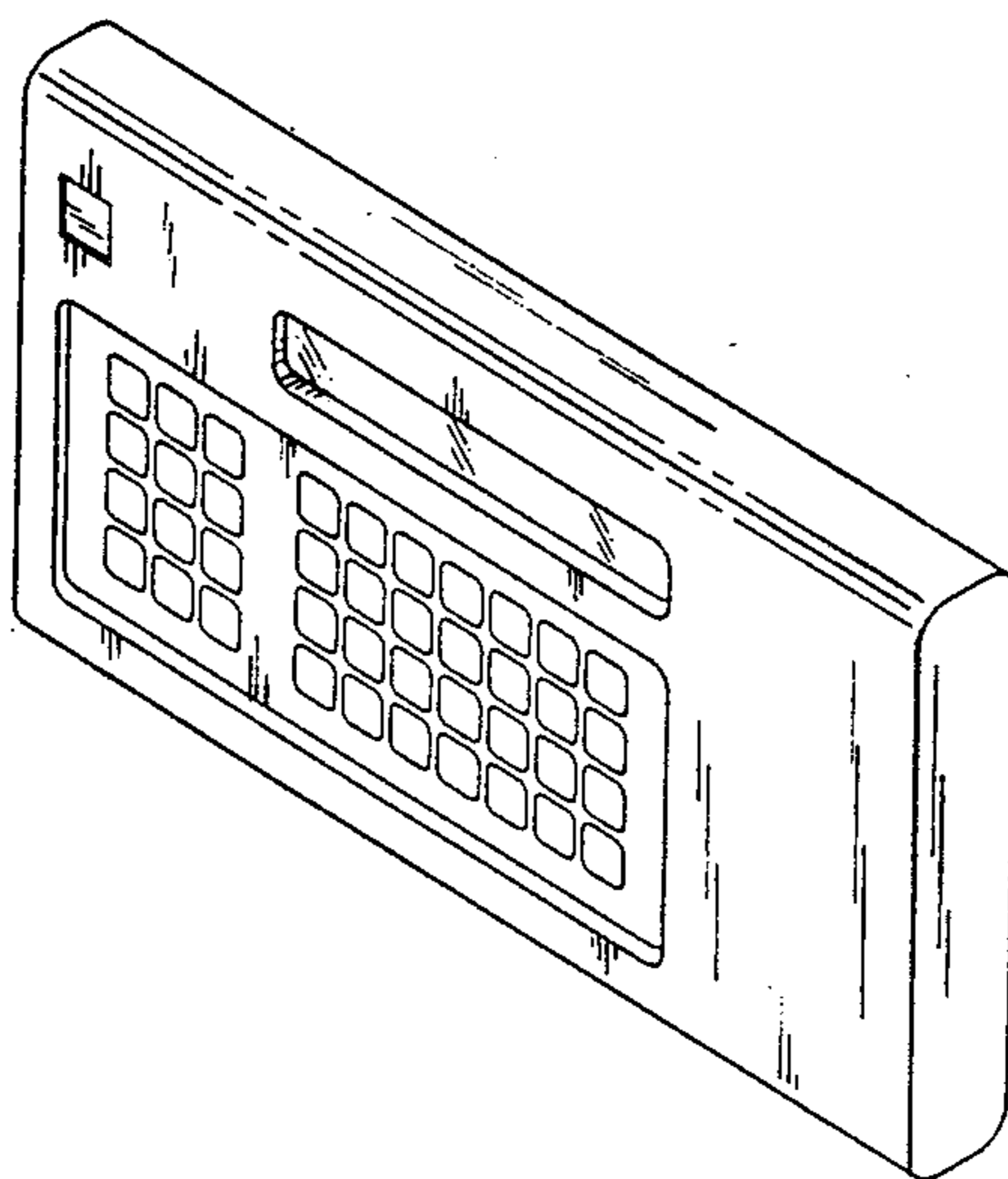
[58] Field of Search ..... D14/100, 101, 105, 106, D14/107, 114, 115; D18/7; D13/12, 40, 41; 340/365 R, 700, 711

FIG. 1 is a right, top, rear perspective view of the data entry and display terminal showing our new design; FIG. 2 is a front elevational view thereof; FIG. 3 is a rear elevational view thereof; FIG. 4 is a right side elevational view thereof; FIG. 5 is a left side elevational view thereof; FIG. 6 is a top plan view thereof; FIG. 7 is a bottom plan view thereof; FIG. 8 is a right, top, rear perspective view of a second embodiment of our new design, the front edge being identical to the rear edge and the sides and bottom being identical to those of the first embodiment as shown in FIGS. 4, 5, and 7.

[56] References Cited

U.S. PATENT DOCUMENTS

- D. 264,467 5/1982 Fischer ..... D14/100 X
- D. 276,320 11/1984 Thalmer ..... D14/100 X
- D. 278,908 5/1985 Scheid et al. .... D14/100
- D. 280,406 9/1985 Walker ..... D14/100



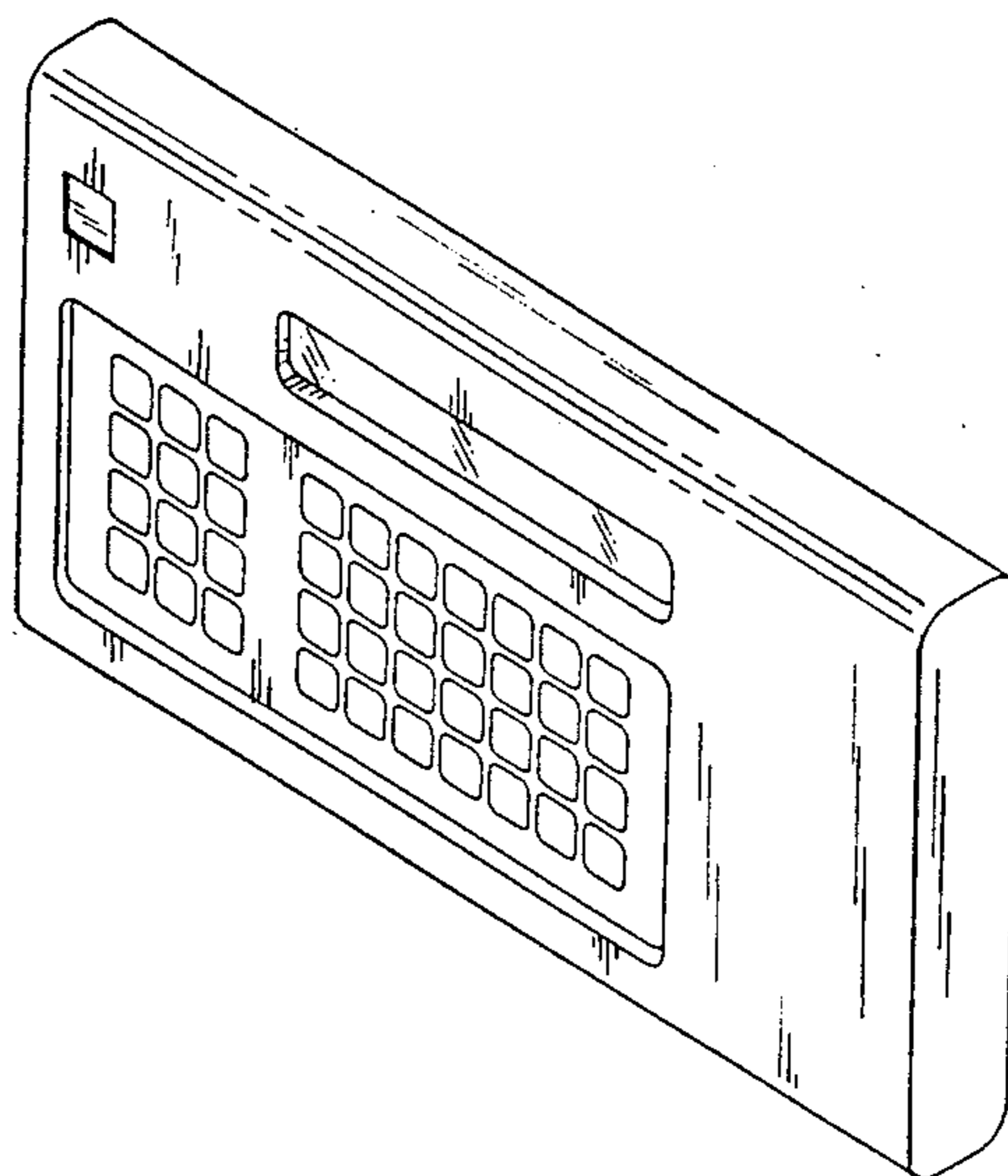


FIG. 1

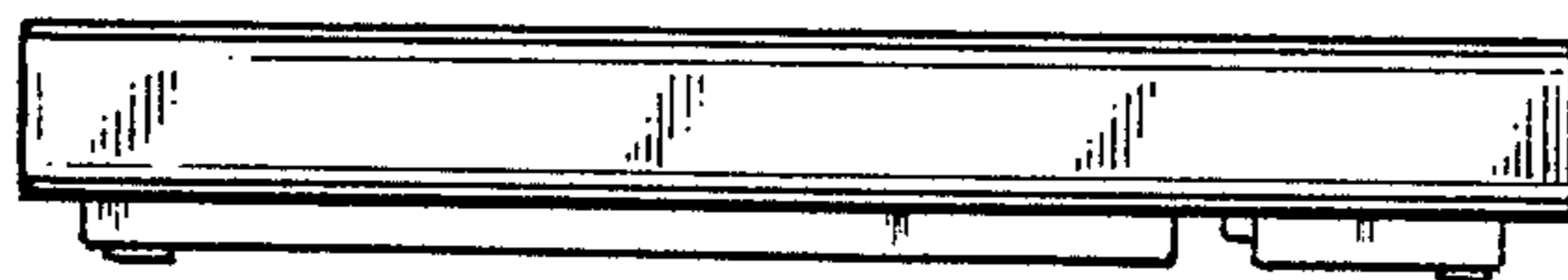


FIG. 2



FIG. 3

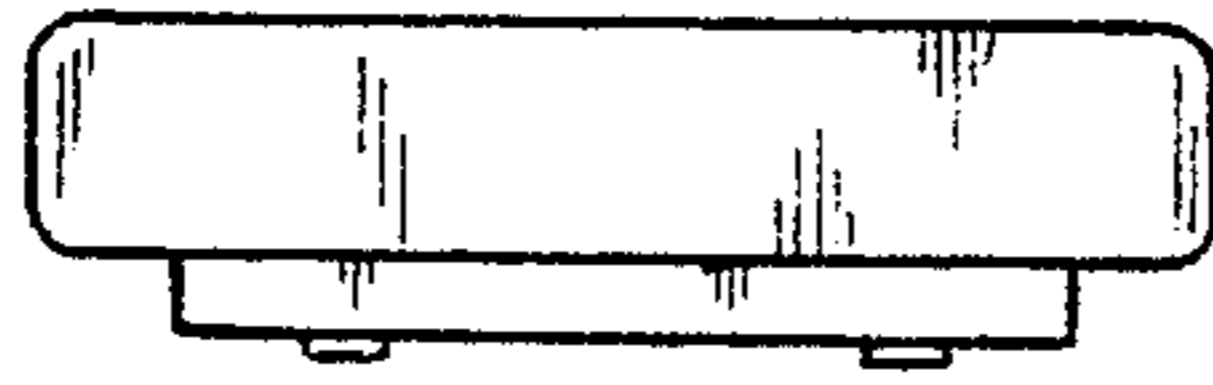


FIG. 4

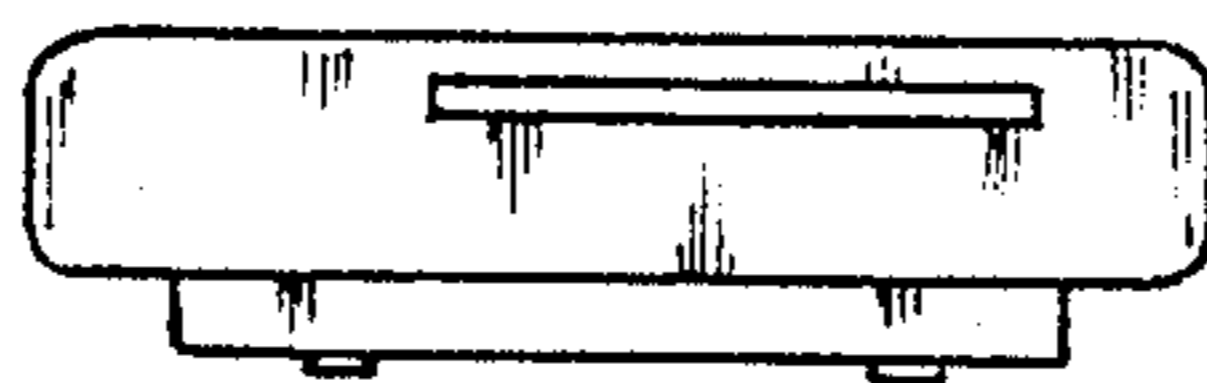


FIG. 5

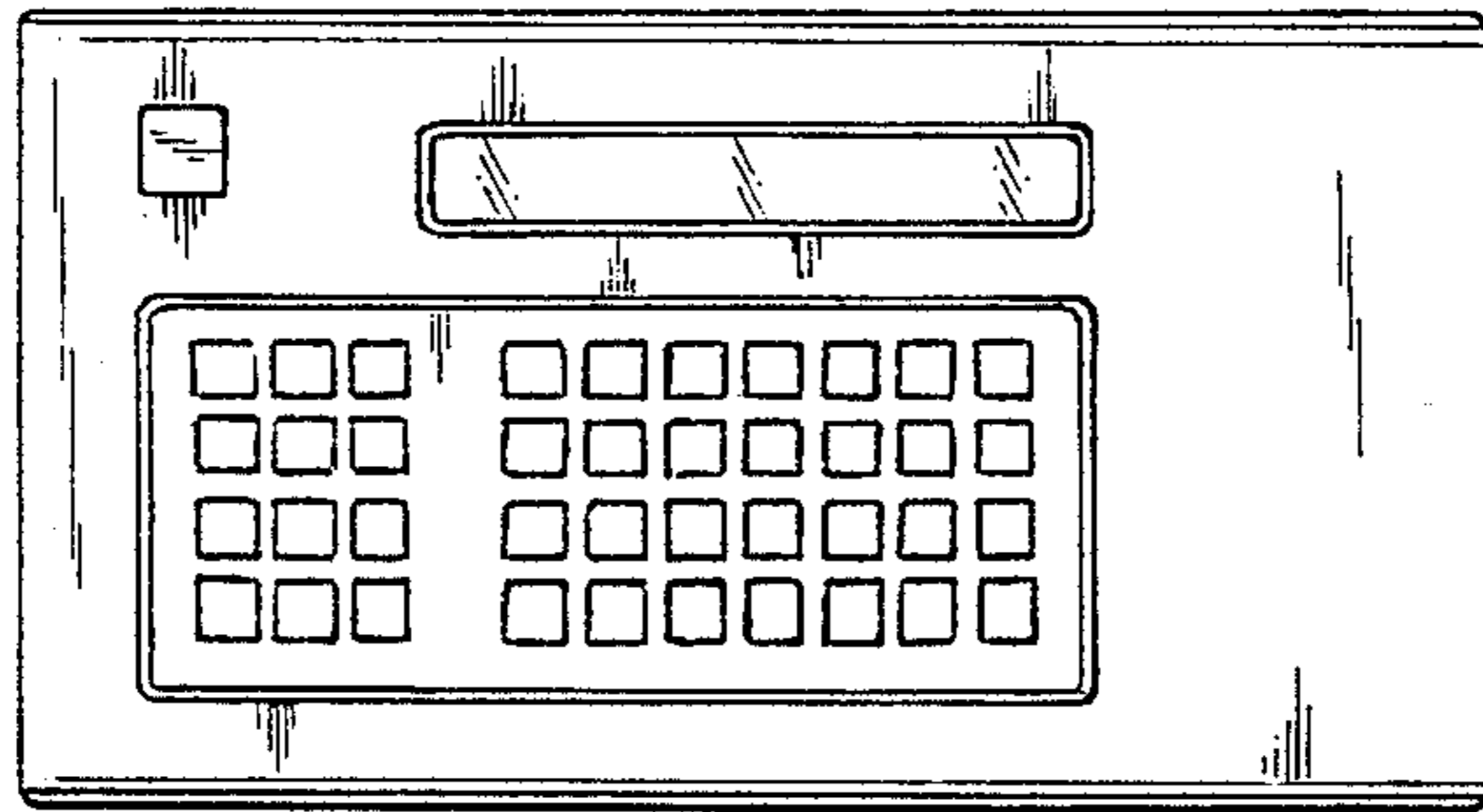


FIG. 6

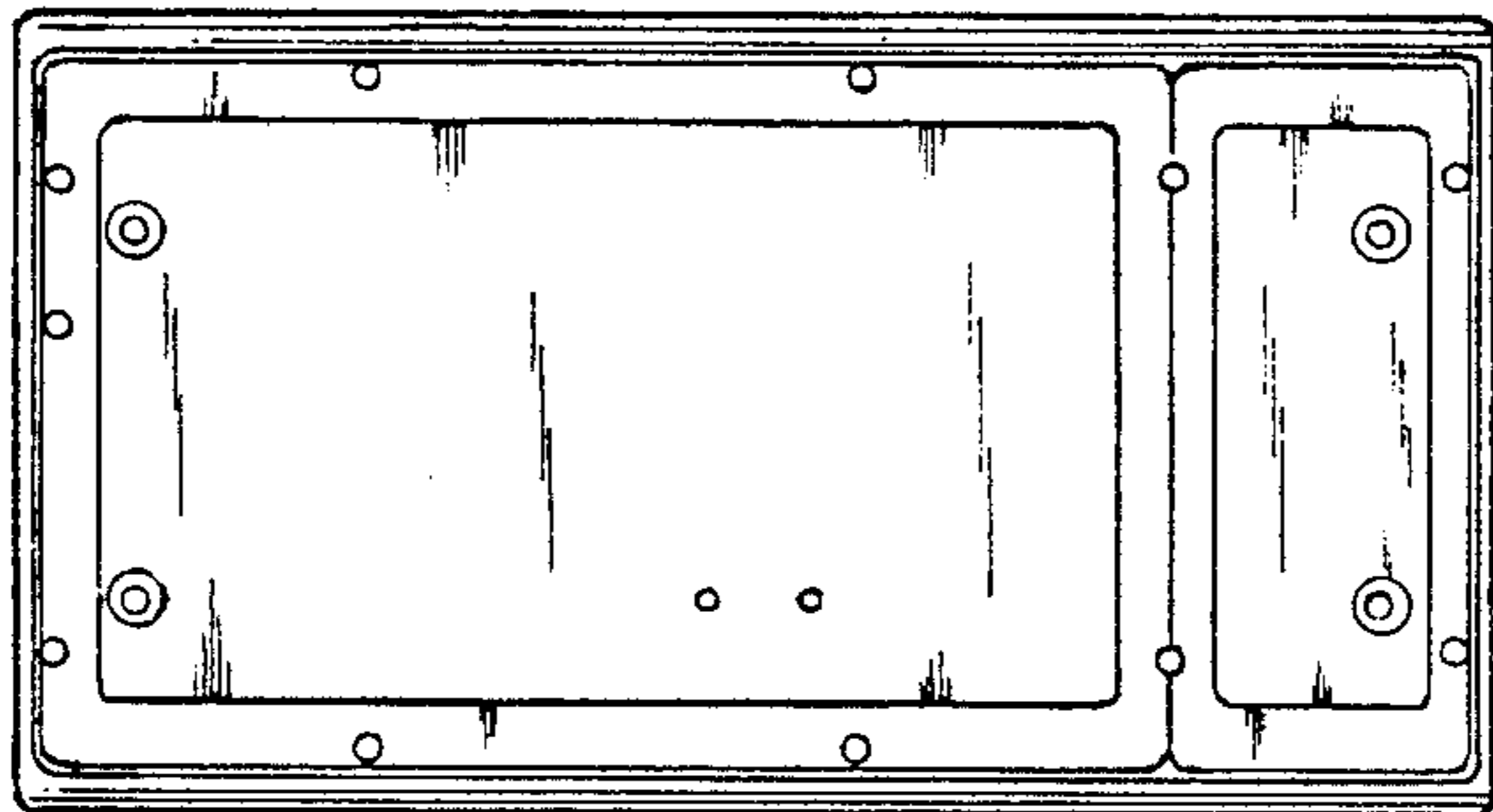


FIG. 7

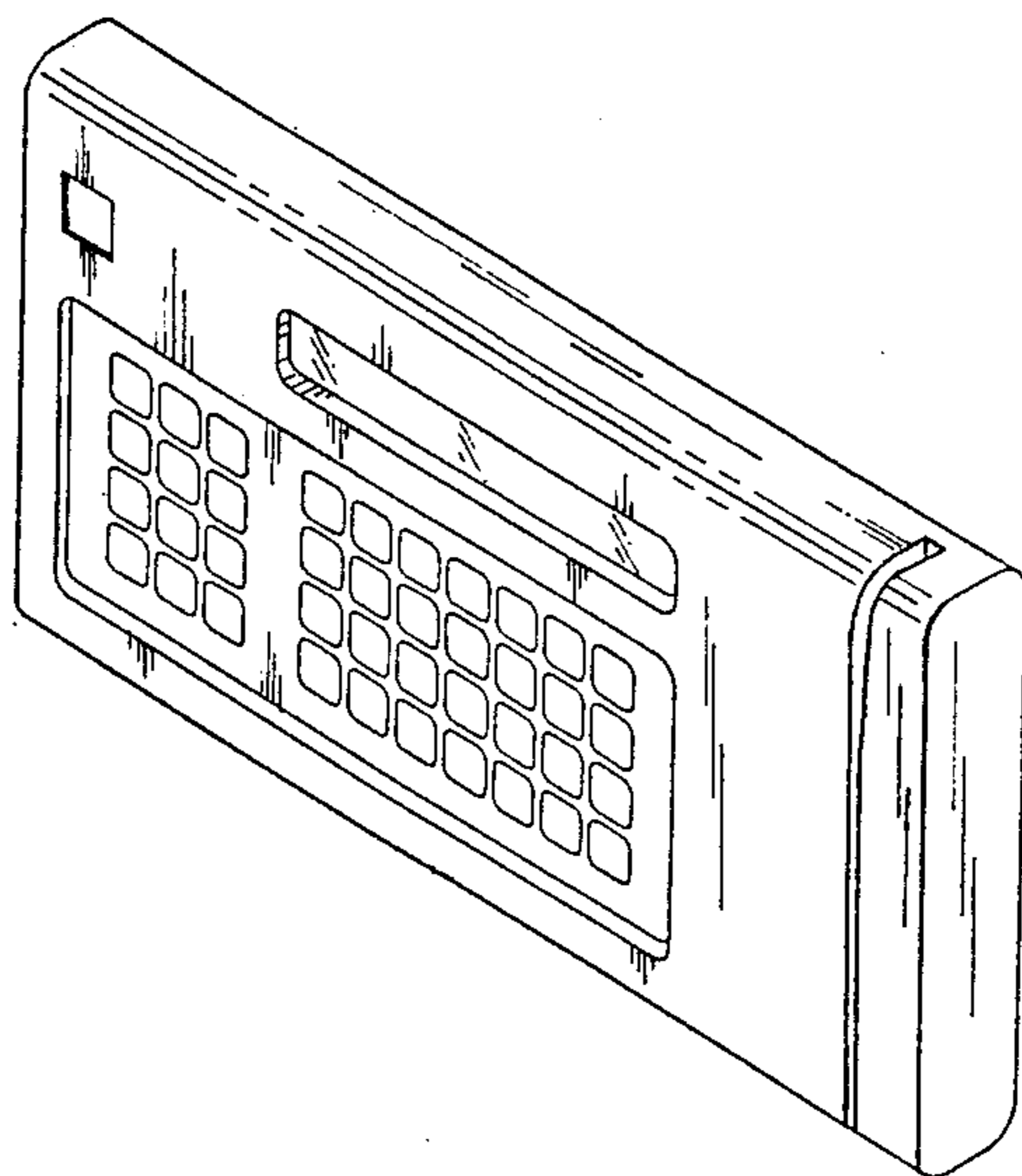


FIG. 8