

United States Patent [19]

Lopez-Doriga Lopez-Doriga

[11] Patent Number: **Des. 303,519**

[45] Date of Patent: **** Sep. 19, 1989**

[54] **ELECTRIC BATTERY**

[75] Inventor: **Juan A. Lopez-Doriga Lopez-Doriga,**
Madrid, Spain

[73] Assignee: **Sociedad Espanola del Acumulador**
Tudor, S.A., Madrid, Spain

[**] Term: **14 Years**

[21] Appl. No.: **122,002**

[22] Filed: **Nov. 18, 1987**

[30] **Foreign Application Priority Data**

May 18, 1987 [ES] Spain 19107

[52] U.S. Cl. **D13/9**

[58] Field of Search D13/4, 5, 8-10;
429/82, 89, 99, 100, 123, 151, 153, 159, 163,
175-178, 180, 187; 136/252, 259

[56] **References Cited**

U.S. PATENT DOCUMENTS

D. 292,576 11/1987 Kump et al. D13/8
1,306,001 6/1919 Gammeter 429/163

3,970,480 7/1976 Schmidt 429/82
4,634,642 1/1987 Lopez-Doriga Lopez
Doriga 429/175

FOREIGN PATENT DOCUMENTS

2442511 7/1980 France 429/175
1455496 11/1976 United Kingdom 429/159
2125611 3/1984 United Kingdom 429/151

Primary Examiner—Bruce W. Dunkins

Assistant Examiner—Clare E. Heflin

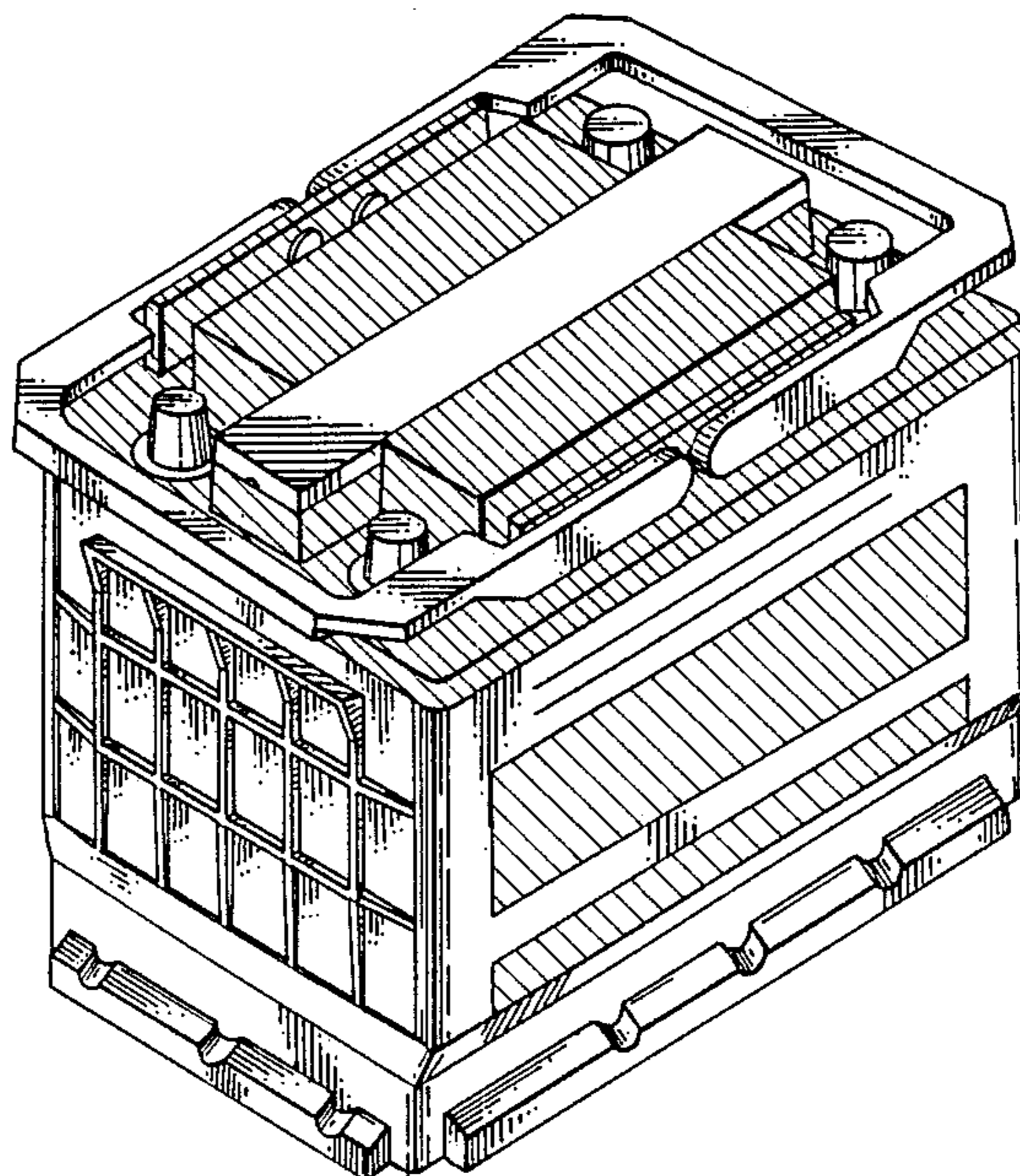
Attorney, Agent, or Firm—St. Onge Steward Johnston &
Reens

[57] **CLAIM**

The ornamental design for an electric battery, as shown
and described.

DESCRIPTION

FIG. 1 is a perspective view of the front and right sides
of an electric battery showing my new design;
FIG. 2 is a left side elevation view thereof;
FIG. 3 is a rear elevation view thereof; and
FIG. 4 is a bottom plan view thereof.
The drawings are lined to show color.



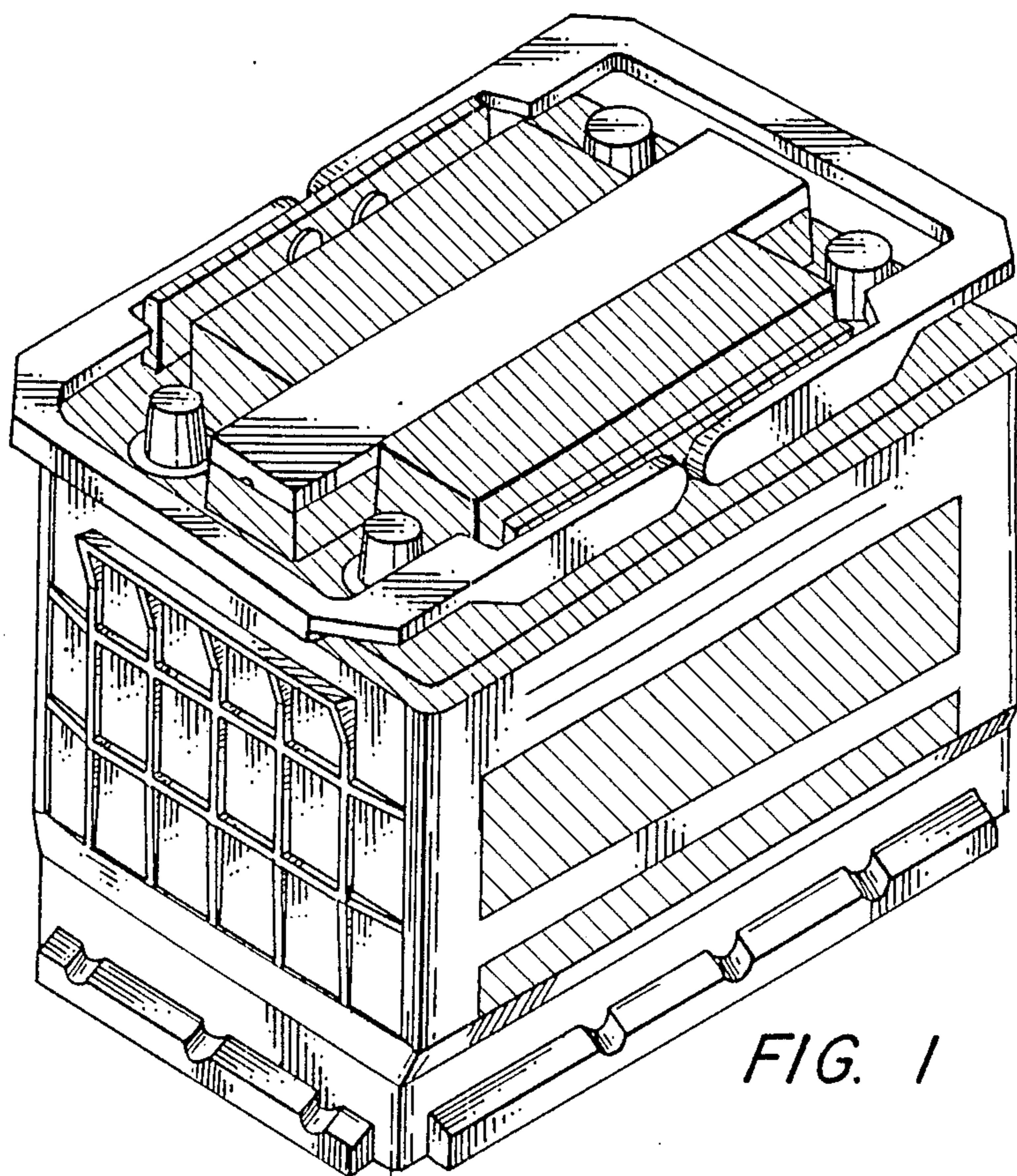


FIG. 1

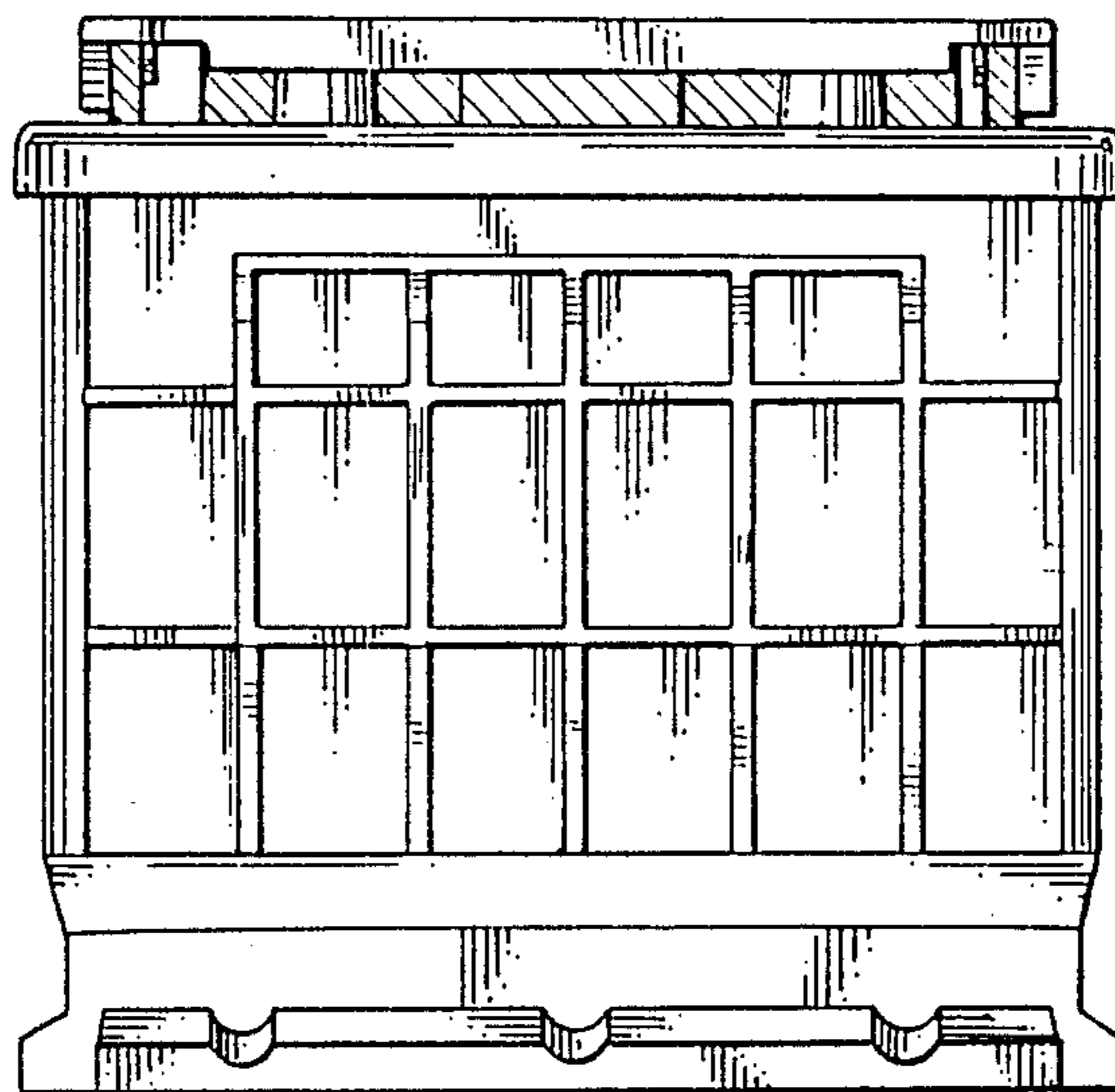


FIG. 2

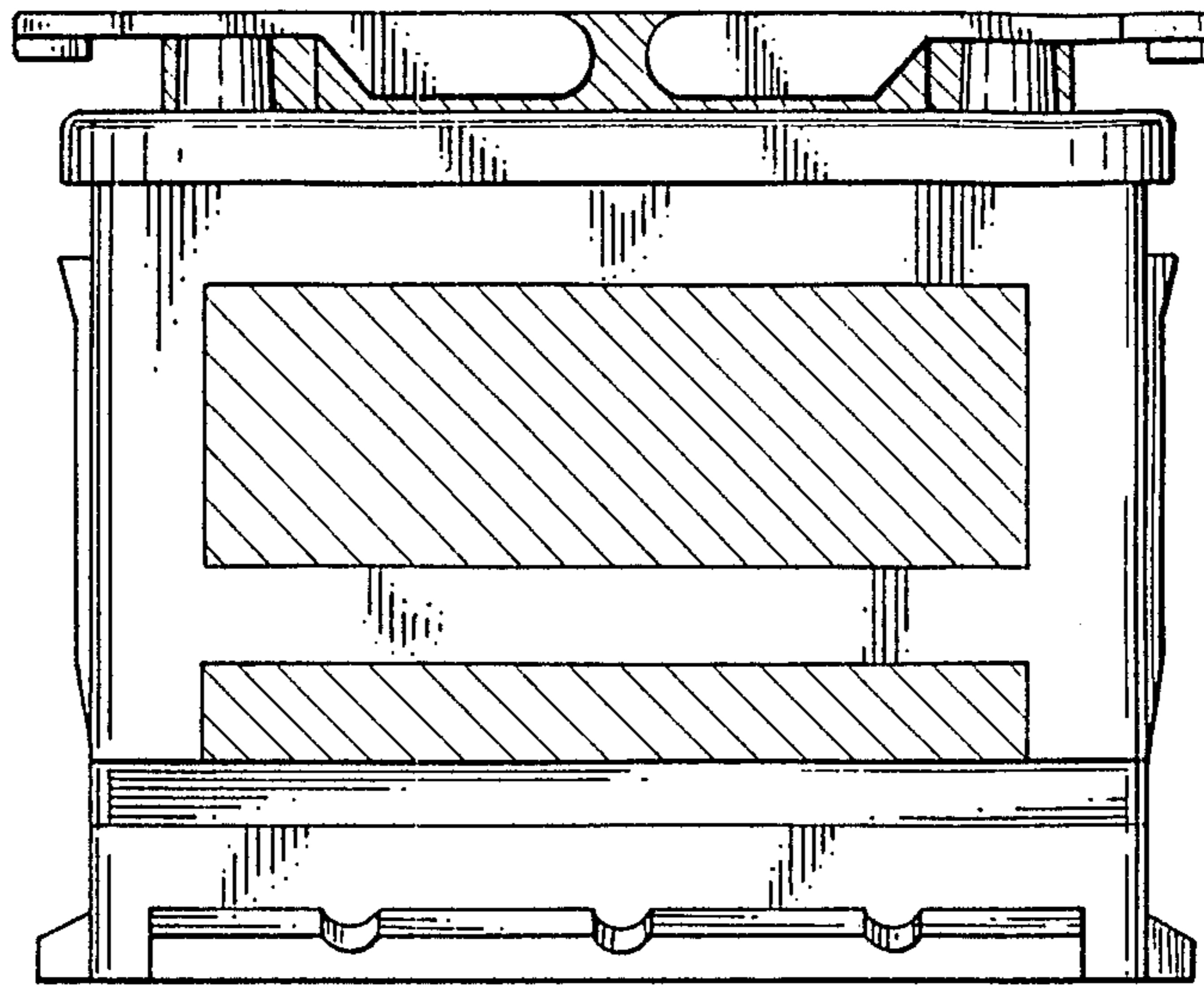


FIG. 3

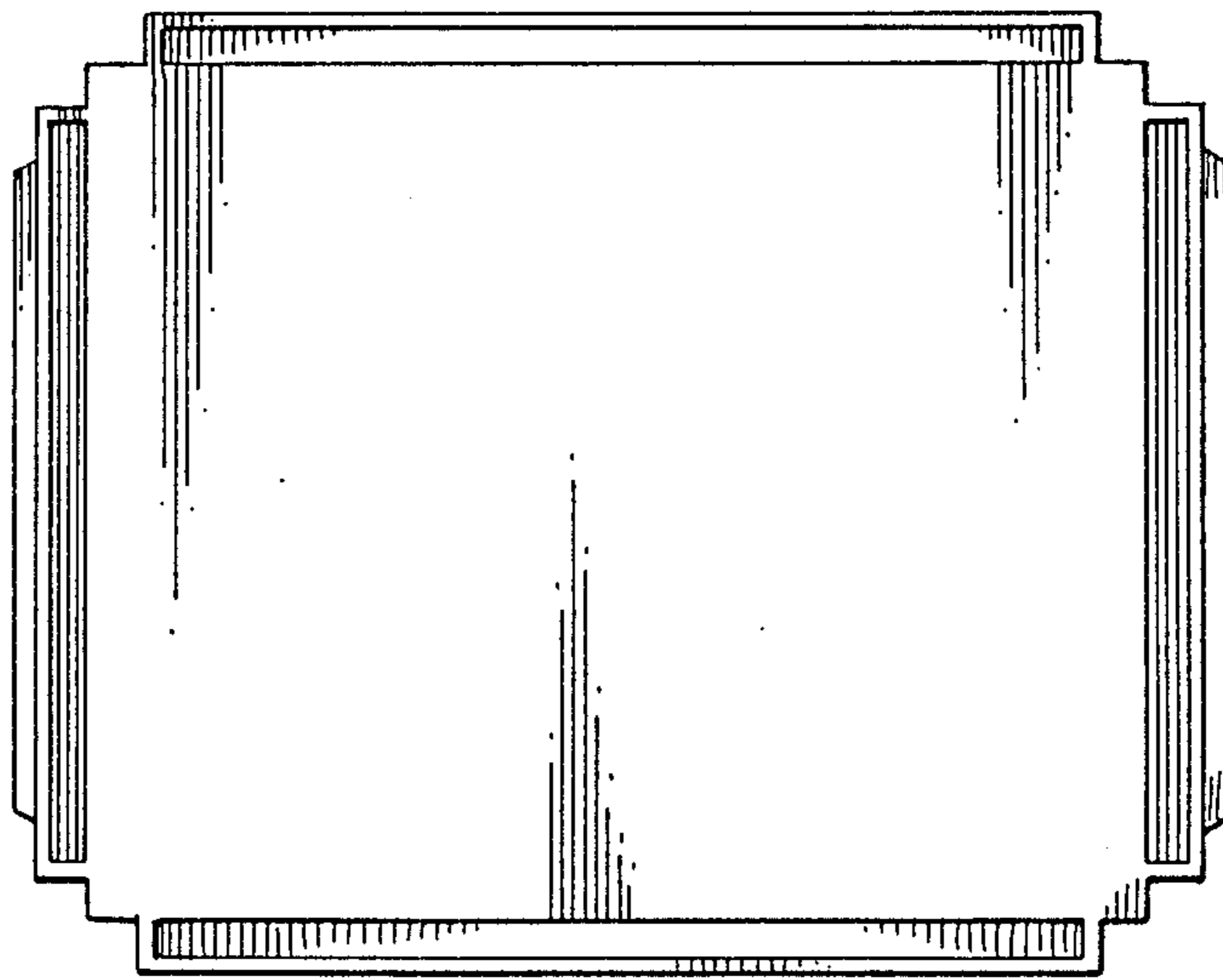


FIG. 4