

[54] SLIDER PULL TAB FOR SLIDE FASTENER

[75] Inventor: Hiroo Minami, Uozu, Japan

[73] Assignee: Yoshida Kogyo K. K., Tokyo, Japan

[**] Term: 14 Years

[21] Appl. No.: 83,966

[22] Filed: Aug. 11, 1987

[30] Foreign Application Priority Data

May 13, 1987 [JP] Japan 62-18666

[52] U.S. Cl. D11/221

[58] Field of Search D11/221, 201, 200;
24/381, 385, 415, 417, 427-431

[56] References Cited

U.S. PATENT DOCUMENTS

2,008,062 7/1935 Corner D11/221

2,063,879 12/1936 Norton D11/221

2,157,381 5/1939 Carlile D11/221

Primary Examiner—Louis S. Zarfes

Assistant Examiner—R. Seifert

Attorney, Agent, or Firm—Hill, Van Santen, Steadman & Simpson

[57] CLAIM

The ornamental design for slider pull tab for slide fastener, as shown and described.

DESCRIPTION

FIG. 1 is a front elevational view of a slider pull tab for slide fasteners showing my new design.

FIG. 2 is a top plan view;

FIG. 3 is a bottom plan view;

FIG. 4 is a right side elevational view;

FIG. 5 is a cross-sectional view taken on line 5-

FIG. 6 is a cross-sectional view taken on line 6-6; and

FIG. 7 is a front elevational view; the broken line showing of a slide fastener is for illustrative purposes only and forms no part of the claimed design.

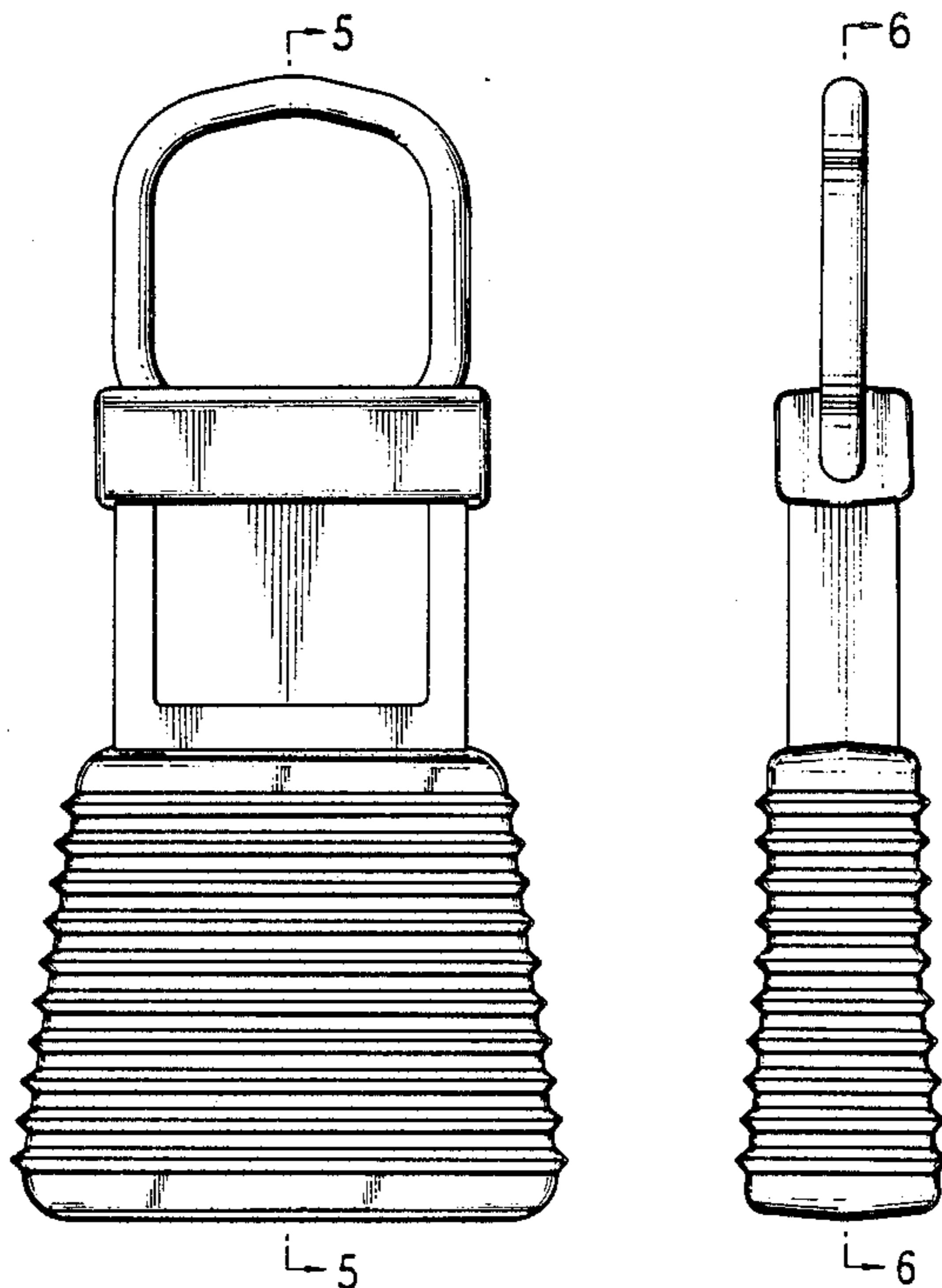


FIG. 1

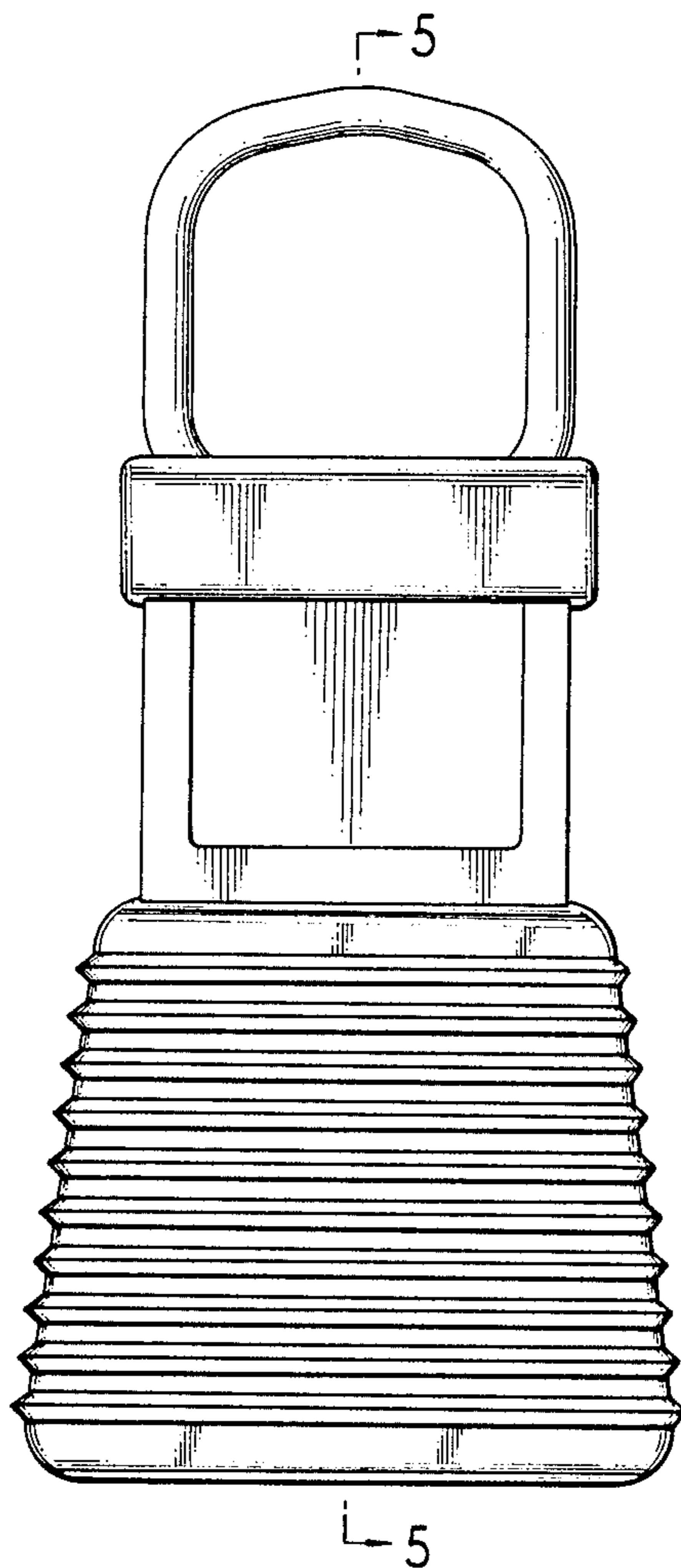


FIG. 4

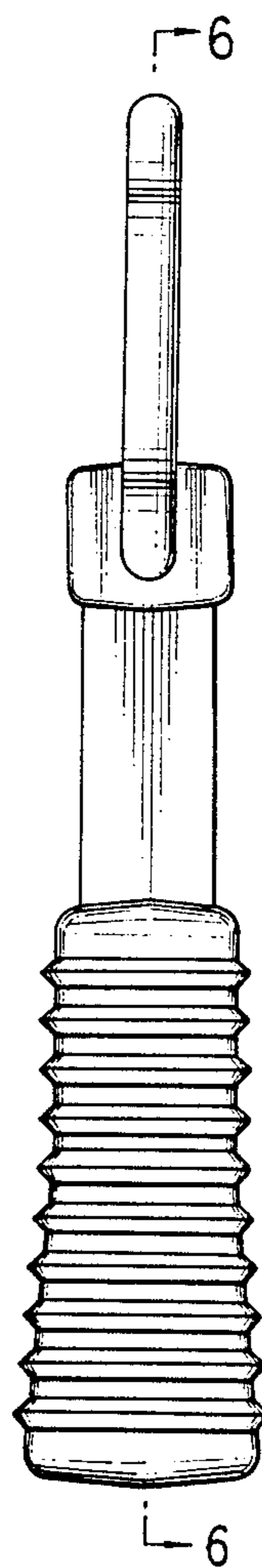


FIG. 2

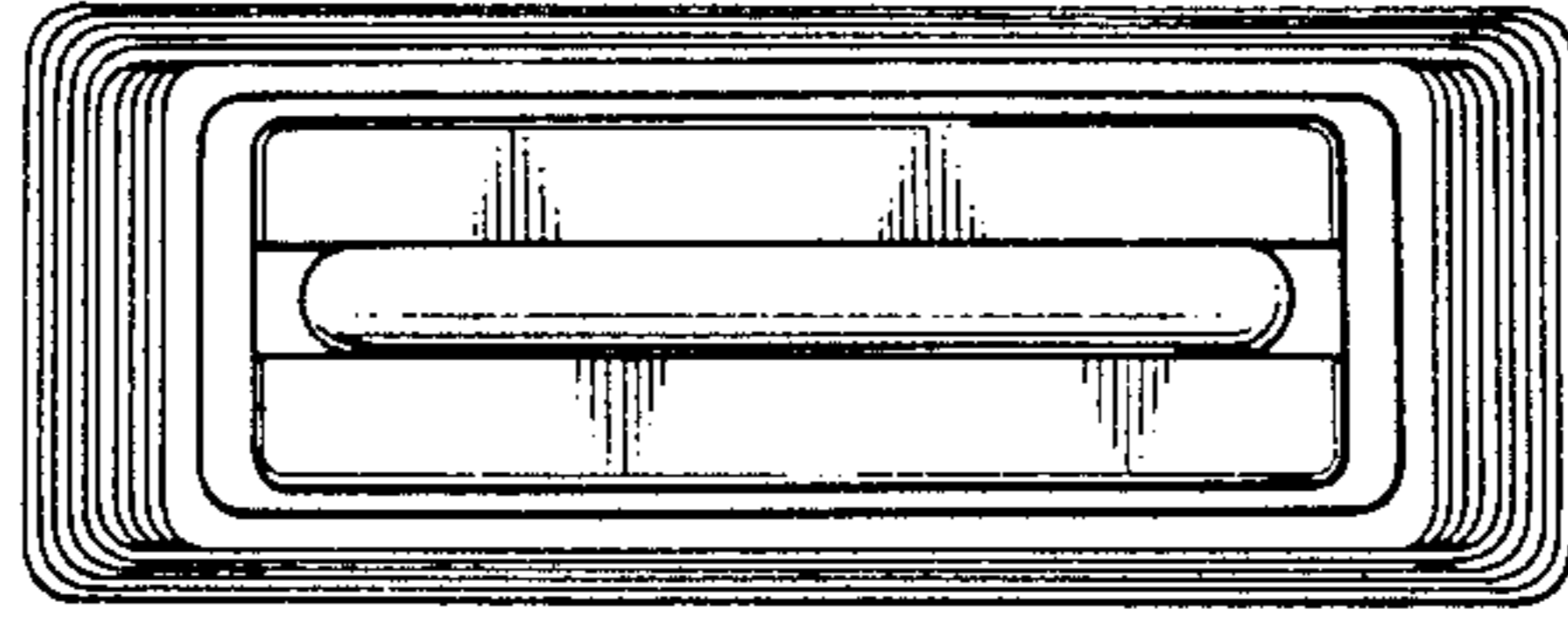


FIG. 3

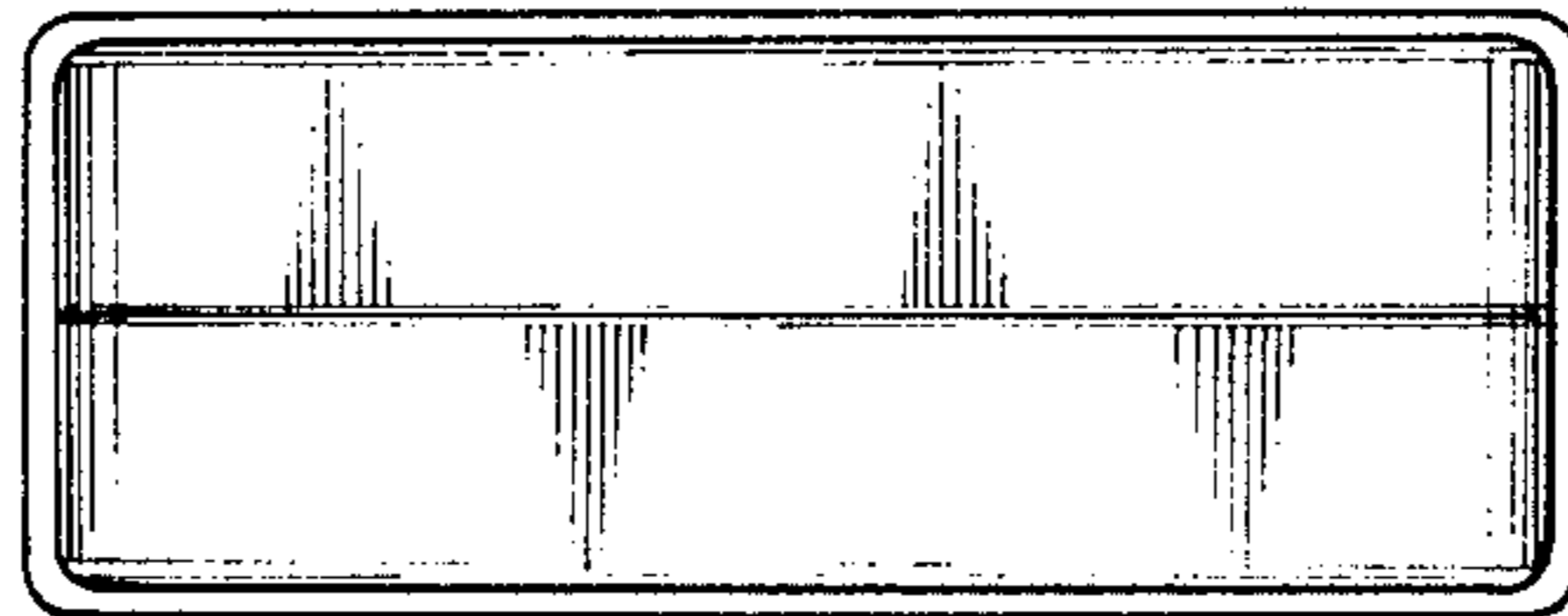


FIG. 6

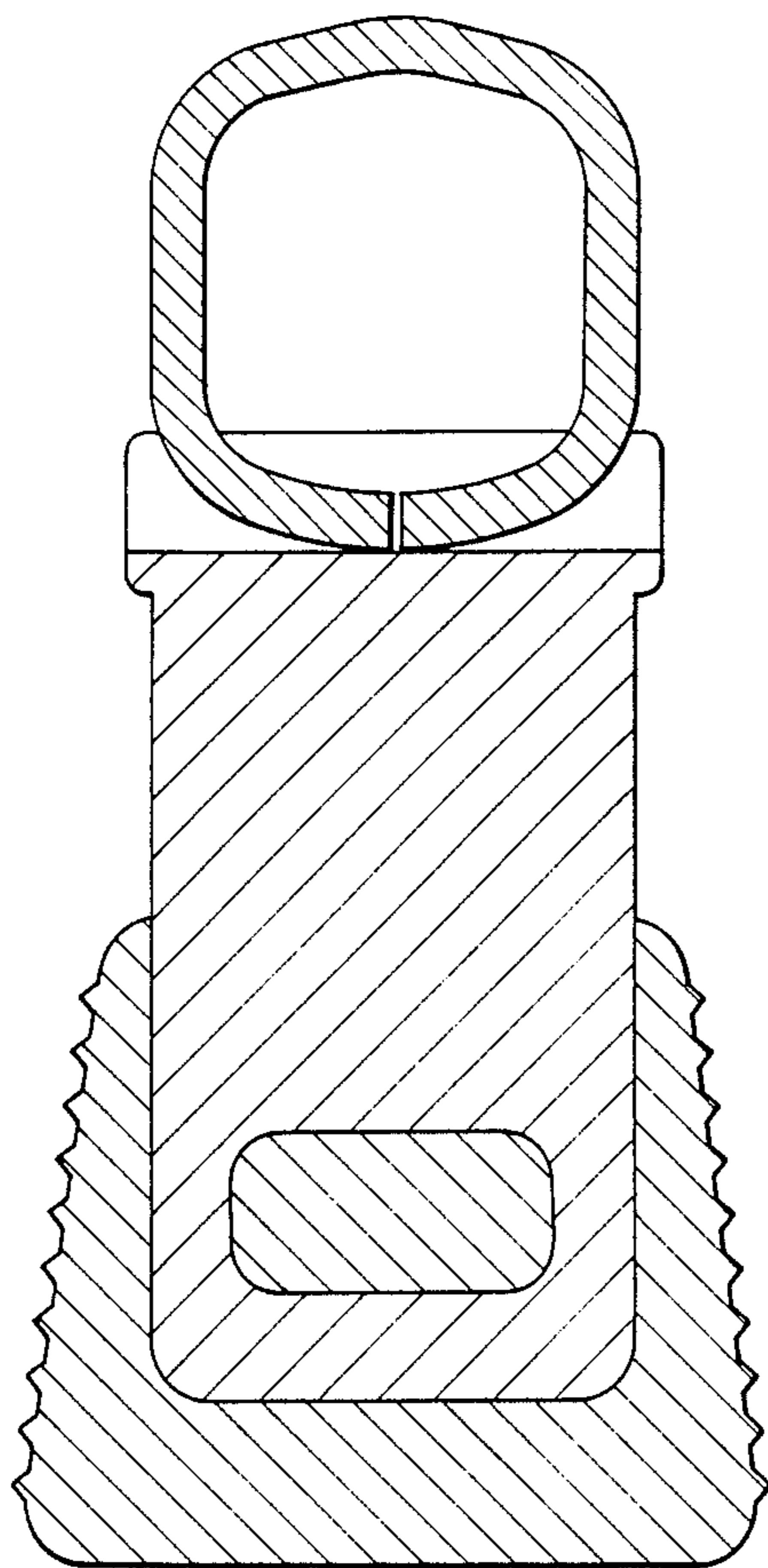


FIG. 5

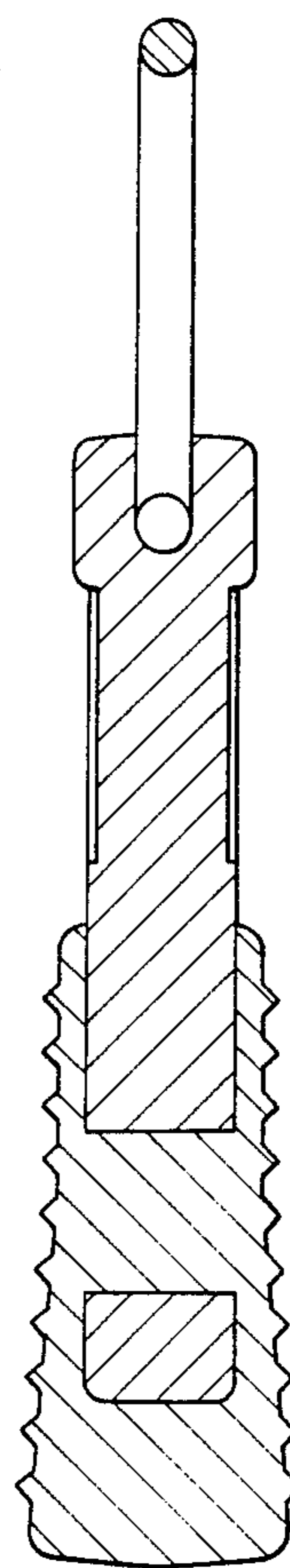


FIG. 7

