

[54] **ICE CREAM PACKAGE**

[75] **Inventor: Daniele Colla, Monticelli Terme, Italy**

[73] **Assignee: Italgel S.p.A., Parma, Italy**

[**] **Term: 14 Years**

[21] **Appl. No.: 883,905**

[22] **Filed: Jul. 9, 1986**

[30] **Foreign Application Priority Data**

Jan. 17, 1986 [IT] Italy 20525/86[U]
[52] **U.S. Cl.** **D9/414**
[58] **Field of Search** D9/305, 417, 433, 415, D9/419, 418, 414, 434, 455; 206/45.21-45.29, 45.3, 45.31, 45.32, 45.33, 170, 145.14, 551, 218, 601, 277, 607, 491, 434, 822; 229/106, 107, 108, 111, 113, 114, 16 D, 40, 20, 41 R, 41 D, 87 R, 87 F, 917.8, DIG. 7, DIG. 13; D1/116; 221/33

[56] **References Cited**

U.S. PATENT DOCUMENTS

D. 202,920	11/1965	Muesing	D9/414 X
D. 236,807	9/1975	Schmit	D9/417
3,084,843	4/1963	Urban	229/113
3,366,312	1/1968	Lowenberg et al.	229/8
4,420,080	12/1983	Nakamura	206/607

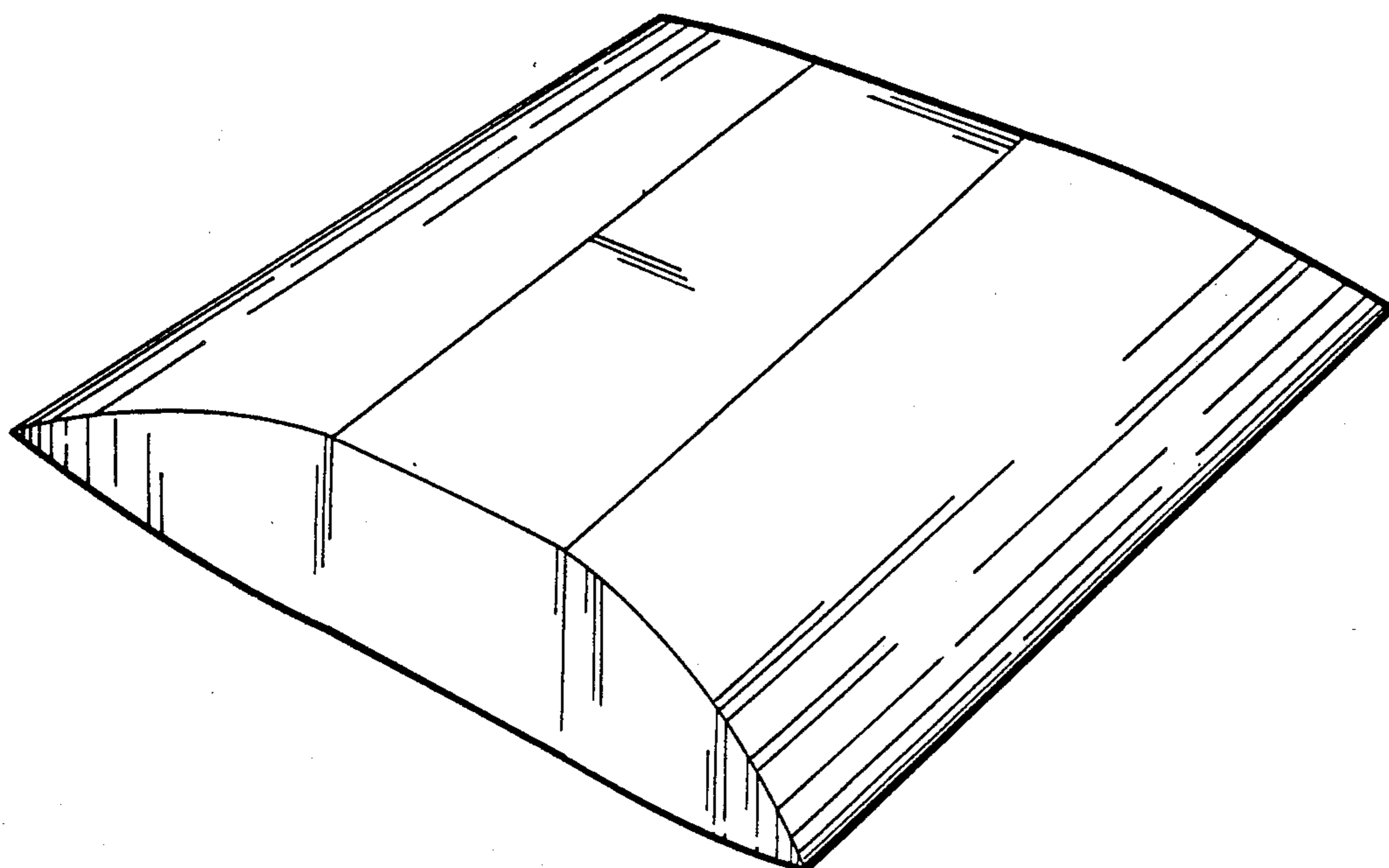
Primary Examiner—Bernard Ansher
Assistant Examiner—Prabhakar Deshmukh
Attorney, Agent, or Firm—Notaro & Michalos

[57] **CLAIM**

The ornamental design for an ice cream package, as shown and described.

DESCRIPTION

FIG. 1 is a perspective view of an ice cream package showing my new design;
FIG. 2 is a top plan view thereof, the bottom plan view is similar to the top plan view thereof;
FIG. 3 is a front elevation thereof, the rear side elevation is similar to the front elevation shown; and
FIG. 4 is a right side elevation thereof, the left side elevation is similar to the right side elevation shown.



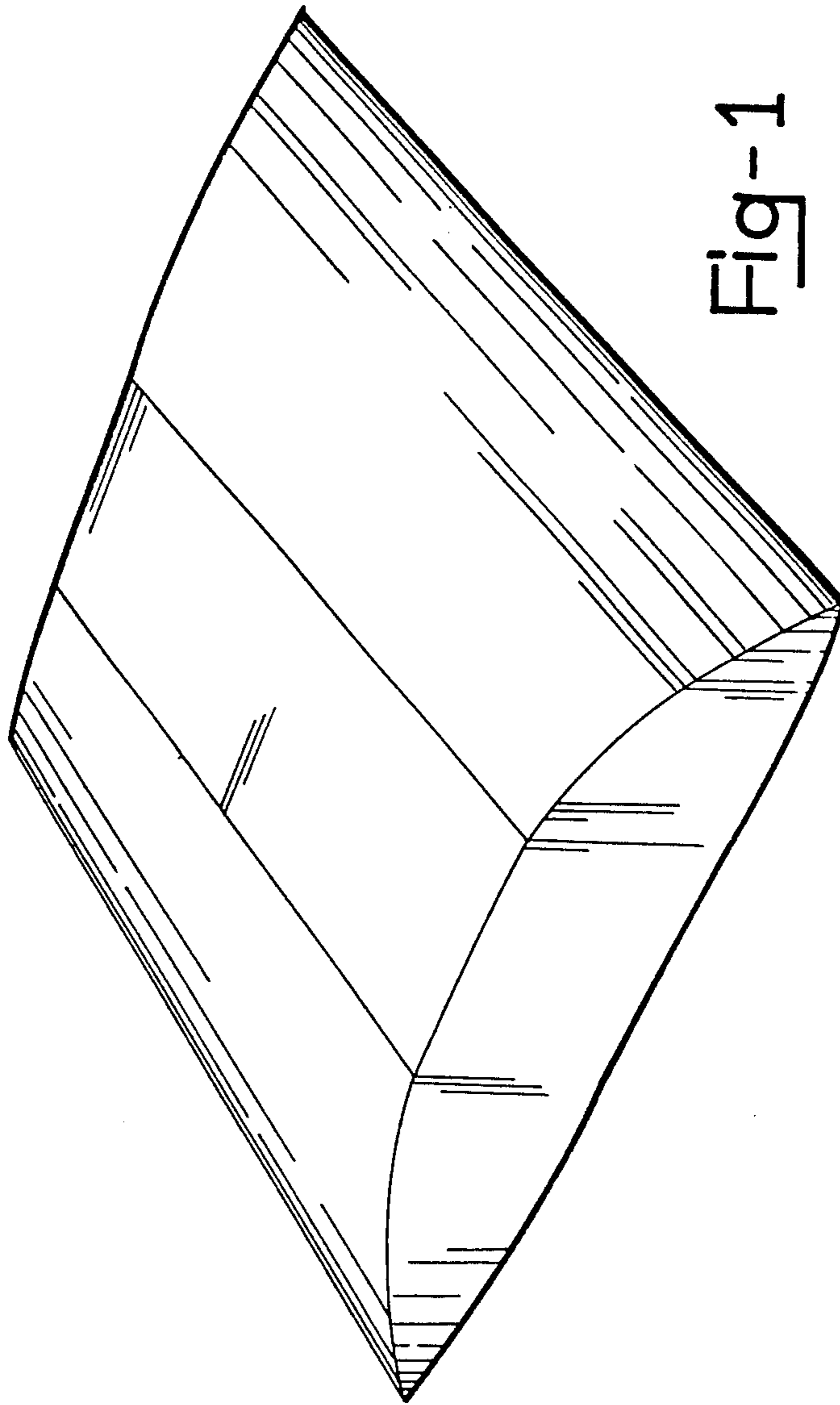


Fig-1

Fig-2

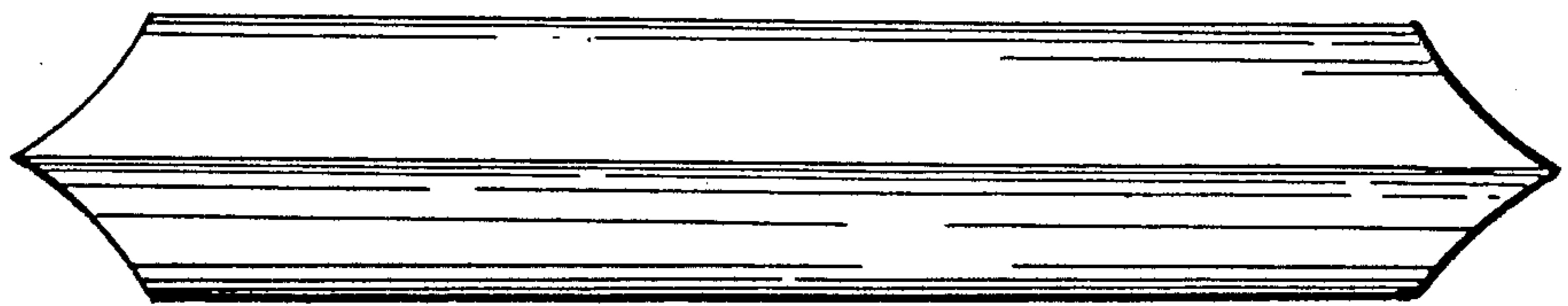
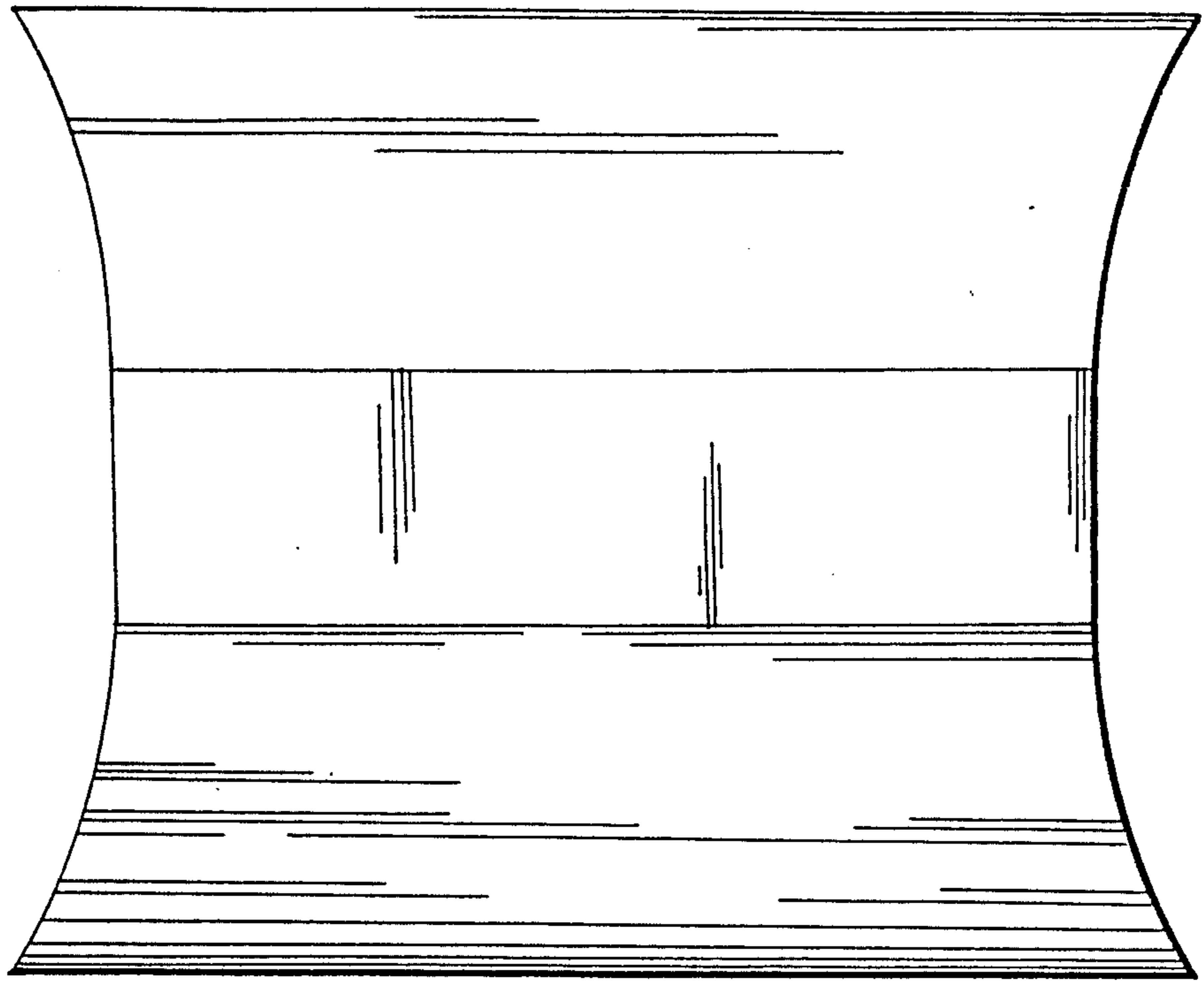


Fig-3

Fig-4

