

United States Patent [19]
Lange

[11] **Patent Number: Des. 303,494**

[45] **Date of Patent: ** Sep. 19, 1989**

[54] **SCREW**

[75] **Inventor: Edwin L. Lange, Bullcreek, Australia**

[73] **Assignees: Kenneth Gordon Kavanagh; Edward Ian Kavanagh, both of Cottesloe, Australia**

[**] **Term: 14 Years**

[21] **Appl. No.: 101,559**

[22] **Filed: Sep. 28, 1987**

[30] **Foreign Application Priority Data**

Mar. 31, 1987 [AU] Australia 1085/87

[52] **U.S. Cl. D8/387**

[58] **Field of Search D8/387, 397; 411/378, 411/403, 405, 427**

[56] **References Cited**

U.S. PATENT DOCUMENTS

D. 205,374 7/1966 Mushlin D8/397
2,227,084 12/1940 Hassig 411/378
4,274,323 6/1981 Resnicow 411/427

OTHER PUBLICATIONS

Camcar Fastener Cat., p. 3, screw H.
Eskay 1980 Stock List, p. 13, socketbolt (upper right).

Primary Examiner—B. J. Bullock
Attorney, Agent, or Firm—John S. Hale

[57] **CLAIM**

The ornamental design for a screw, as shown.

DESCRIPTION

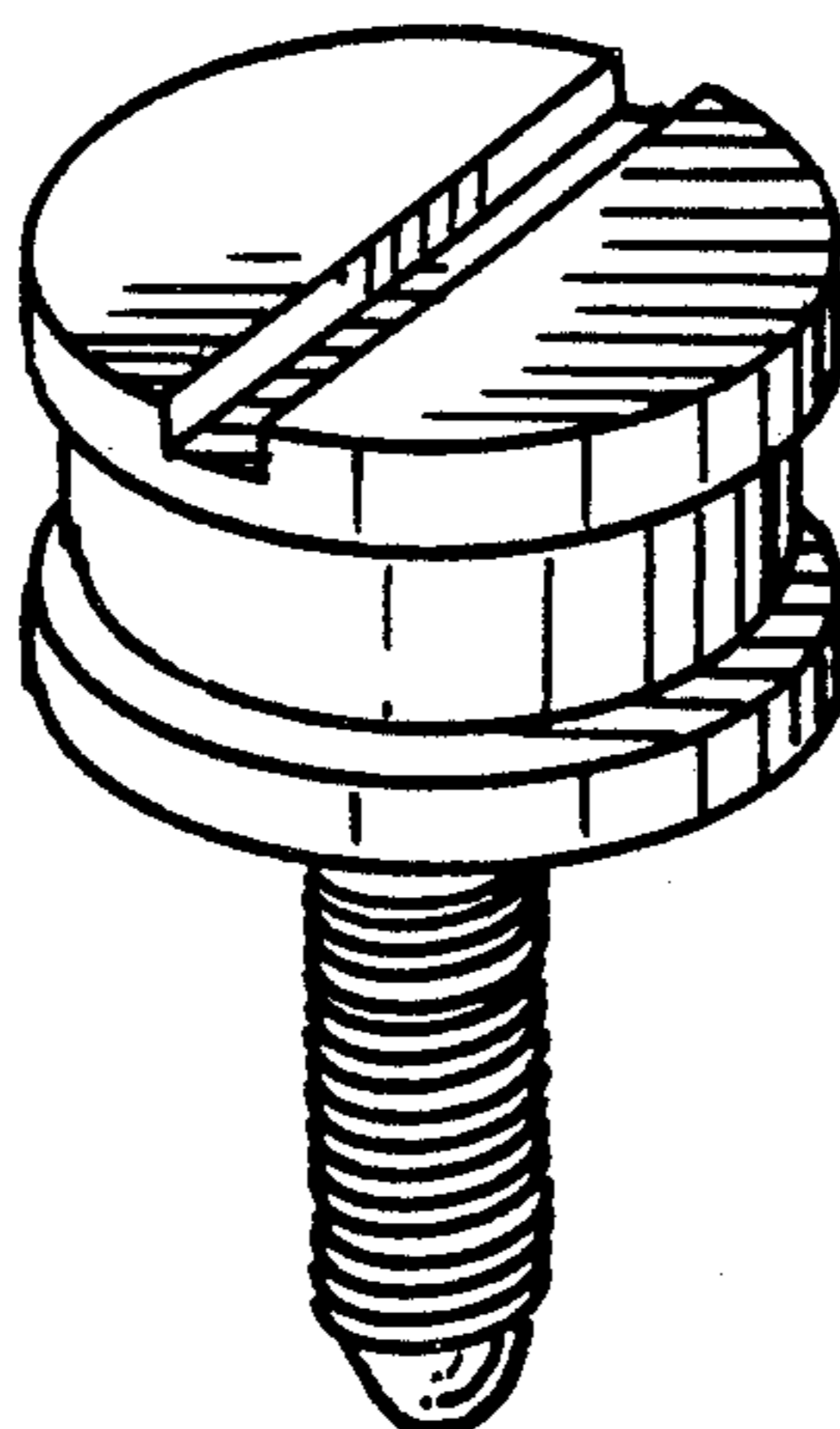
FIG. 1 is an upper perspective view of a screw showing my new design;

FIG. 2 is a lower perspective view thereof;

FIG. 3 is a top plan view thereof;

FIG. 4 is a bottom plan view thereof;

FIG. 5 is a side elevational view thereof.



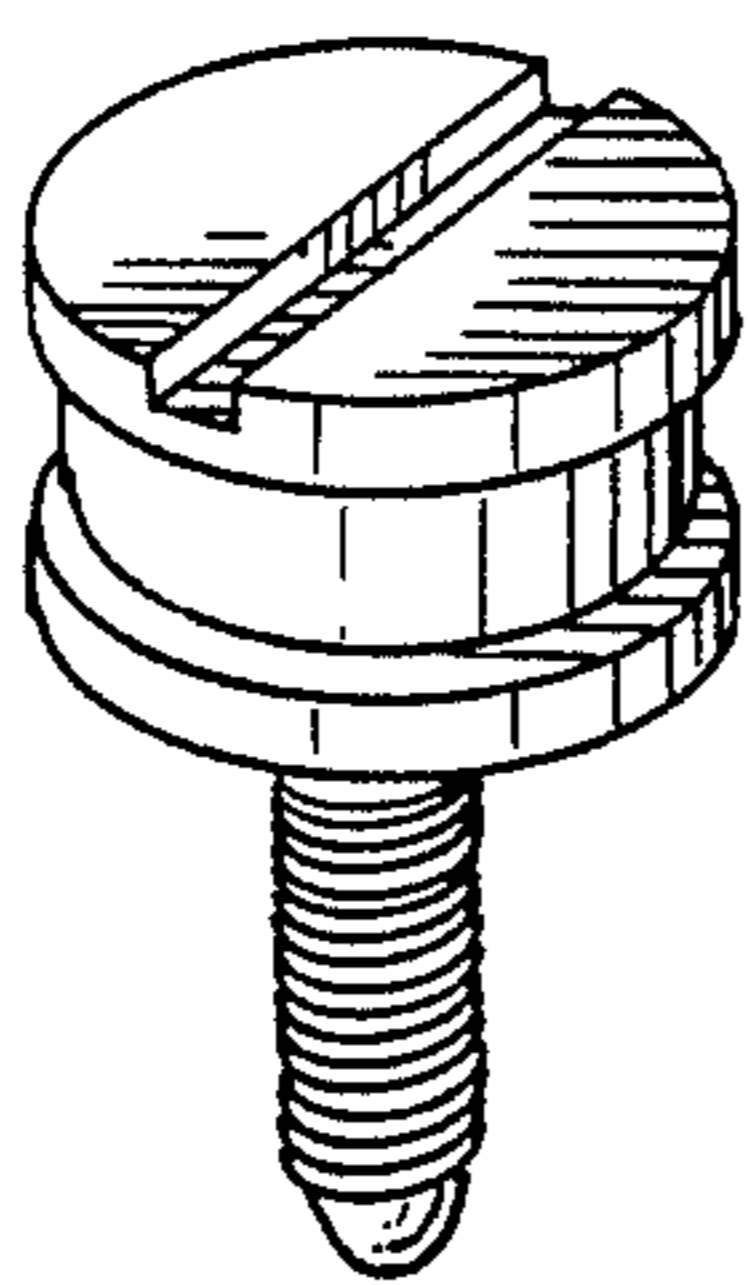


FIG. 1

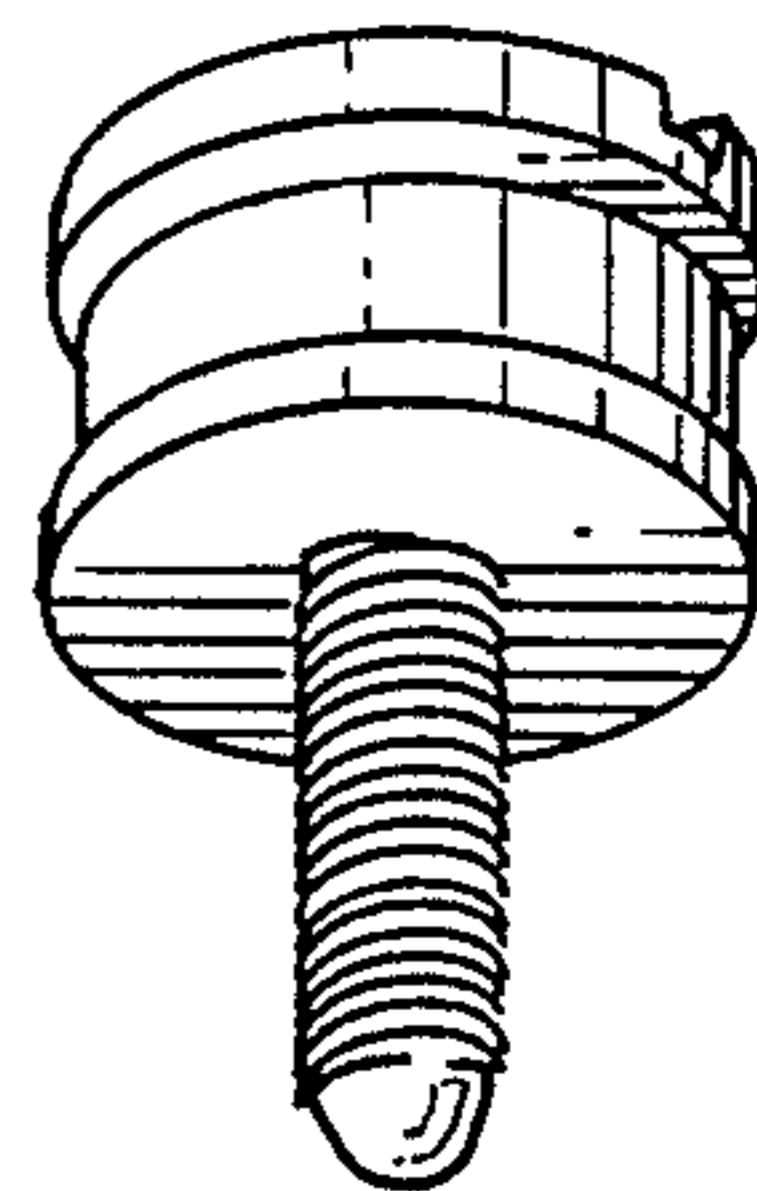


FIG. 2

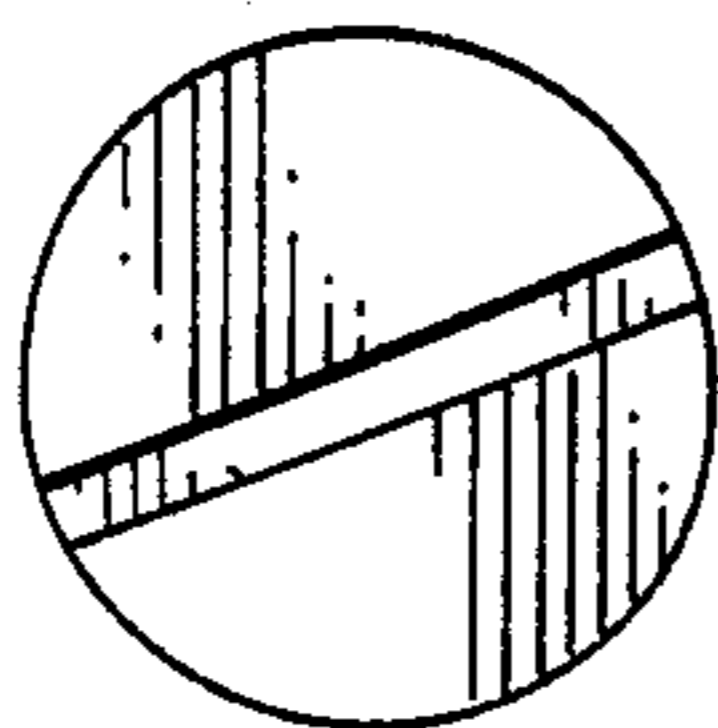


FIG. 3

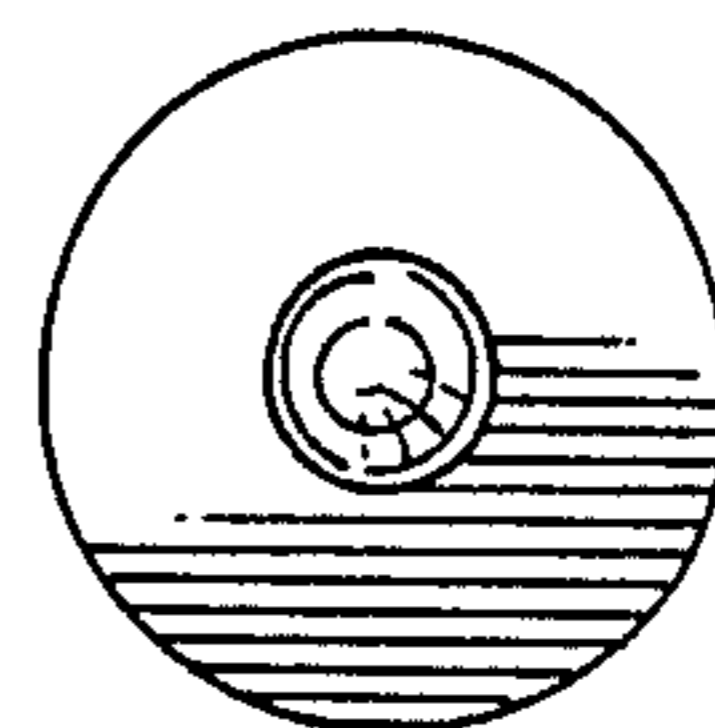


FIG. 4

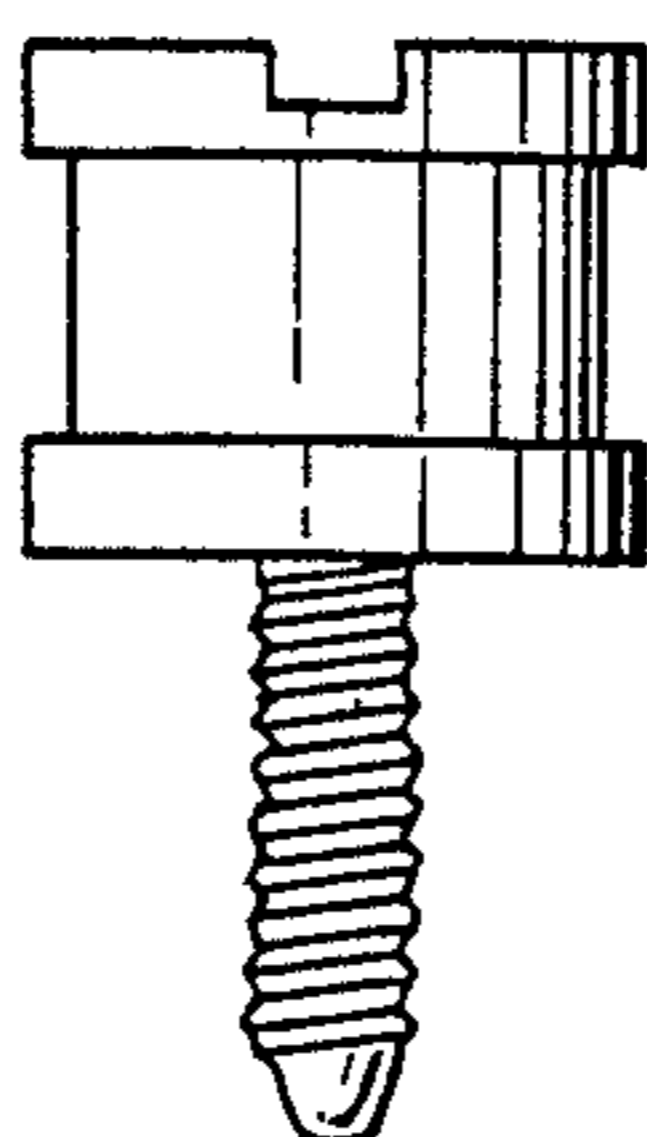


FIG. 5