

[54] **HANDLE STEM**

[75] **Inventor: Duane L. Mosch, Owatonna, Minn.**

[73] **Assignee: Truth Incorporated, Owatonna, Minn.**

[\*\*] **Term: 14 Years**

[21] **Appl. No.: 922,543**

[22] **Filed: Oct. 23, 1986**

[52] **U.S. Cl. .... D8/321; D8/308**

[58] **Field of Search ..... D8/306, 307, 308, 300,  
D8/315-317, 321; 16/110 R, 111 R, 114 R, 121,  
124; D23/254; 292/347, 357**

[56] **References Cited**

**U.S. PATENT DOCUMENTS**

D. 44,099	5/1913	Gribko	.....	D8/308
D. 76,903	11/1928	Smith	.....	D23/254
D. 82,968	1/1931	Bales	.....	D8/308
D. 271,560	11/1983	Valli	.....	D8/306
2,967,728	1/1961	Falk	.....	292/357

**FOREIGN PATENT DOCUMENTS**

2507662	12/1982	France	.....	16/110 R
---------	---------	--------	-------	----------

**OTHER PUBLICATIONS**

Paul Associates Cat., p. 50, lever #140.

A page from an undated catalog of Marks Hardware Company.

Two pages of an undated catalog of Santile International Corporation regarding hardware of R. S. Schäfer.

A cover page and three pages from an undated catalog of Jado.

*Primary Examiner*—B. J. Bullock

*Attorney, Agent, or Firm*—Wood, Dalton, Phillips, Mason & Rowe

[57] **CLAIM**

The ornamental design for a handle stem, as shown and described.

**DESCRIPTION**

FIG. 1 is a perspective view of a handle stem showing my new design;

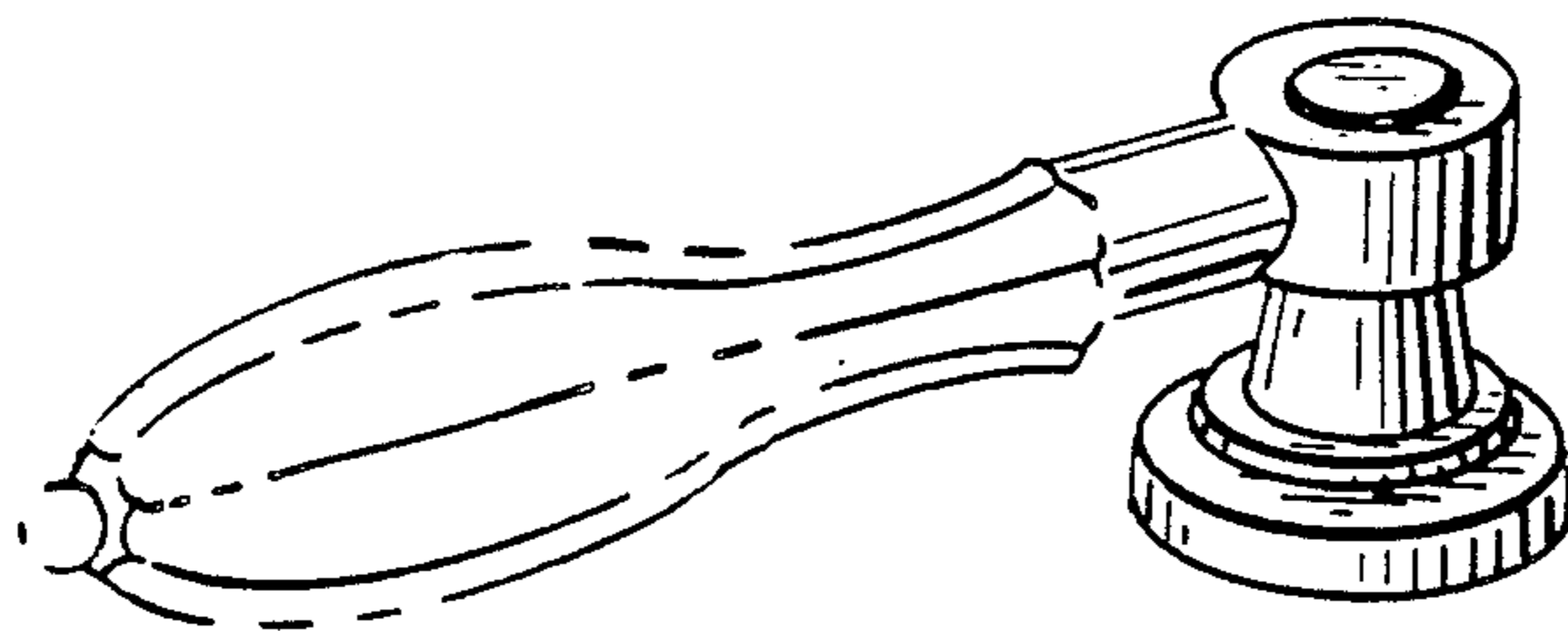
FIG. 2 is a front view;

FIG. 3 is a bottom view, the top being a mirror image;

FIG. 4 is a left end view;

FIG. 5 is a right end view.

The broken line showing of the lever is for illustrative purposes only.



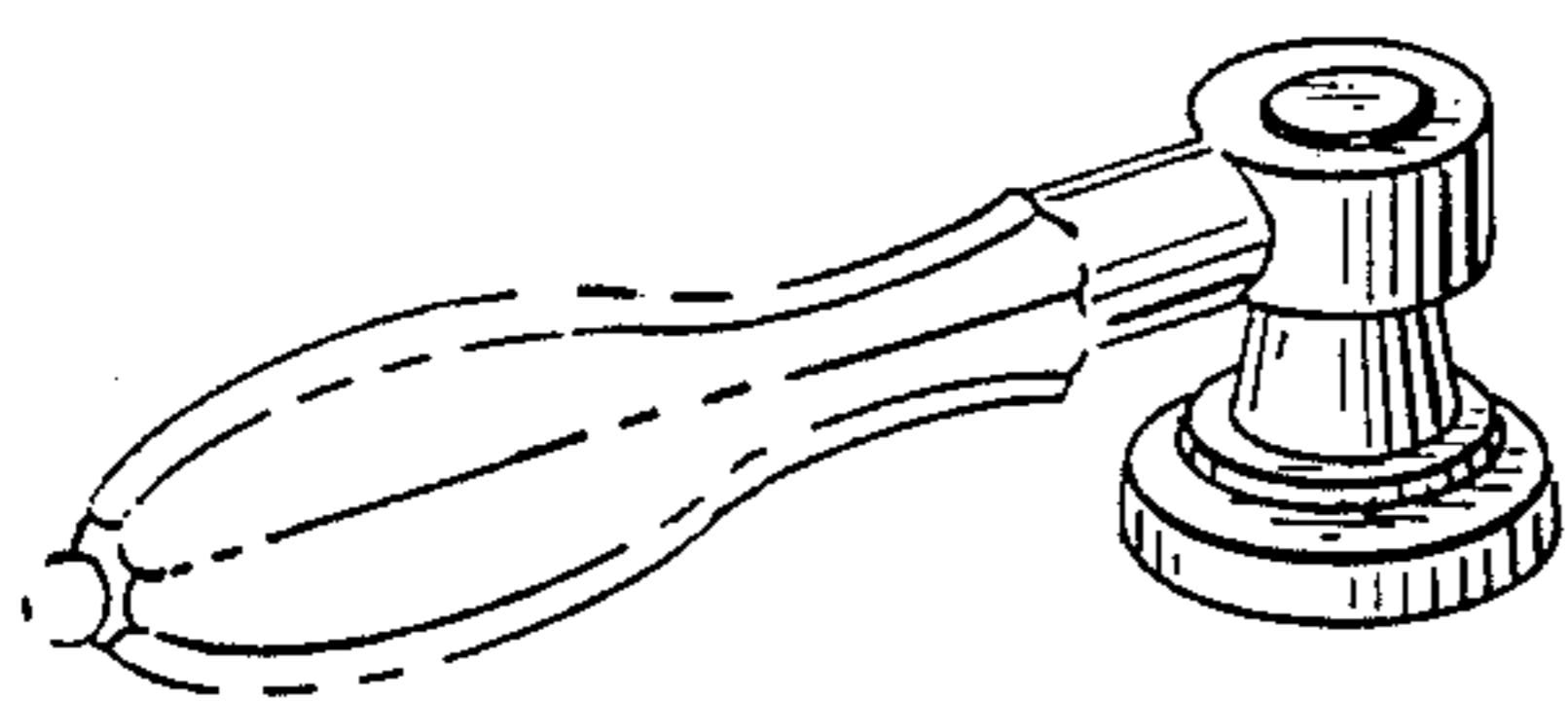


FIG. 1

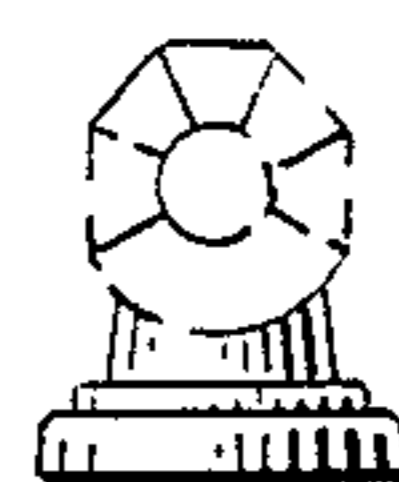


FIG. 4

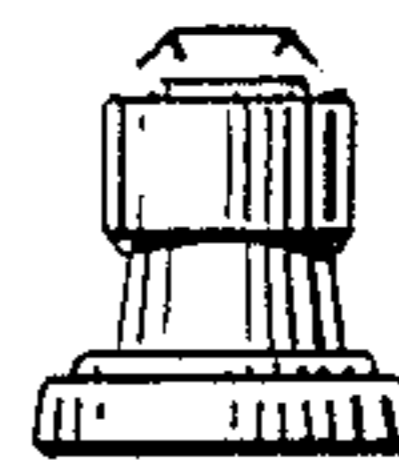


FIG. 5



FIG. 2

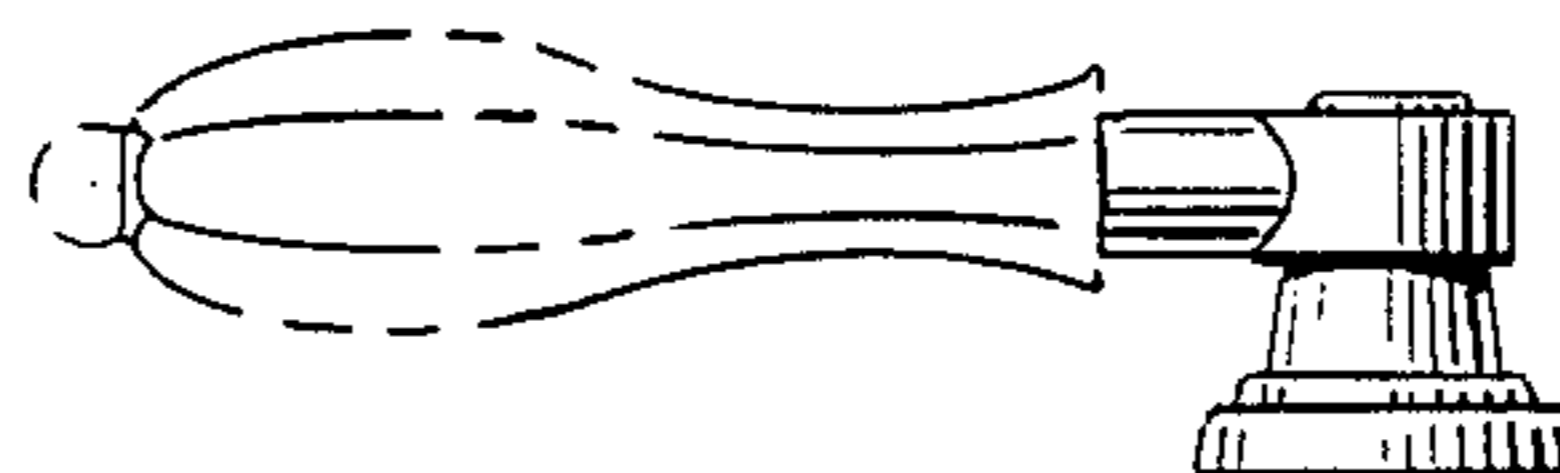


FIG. 3

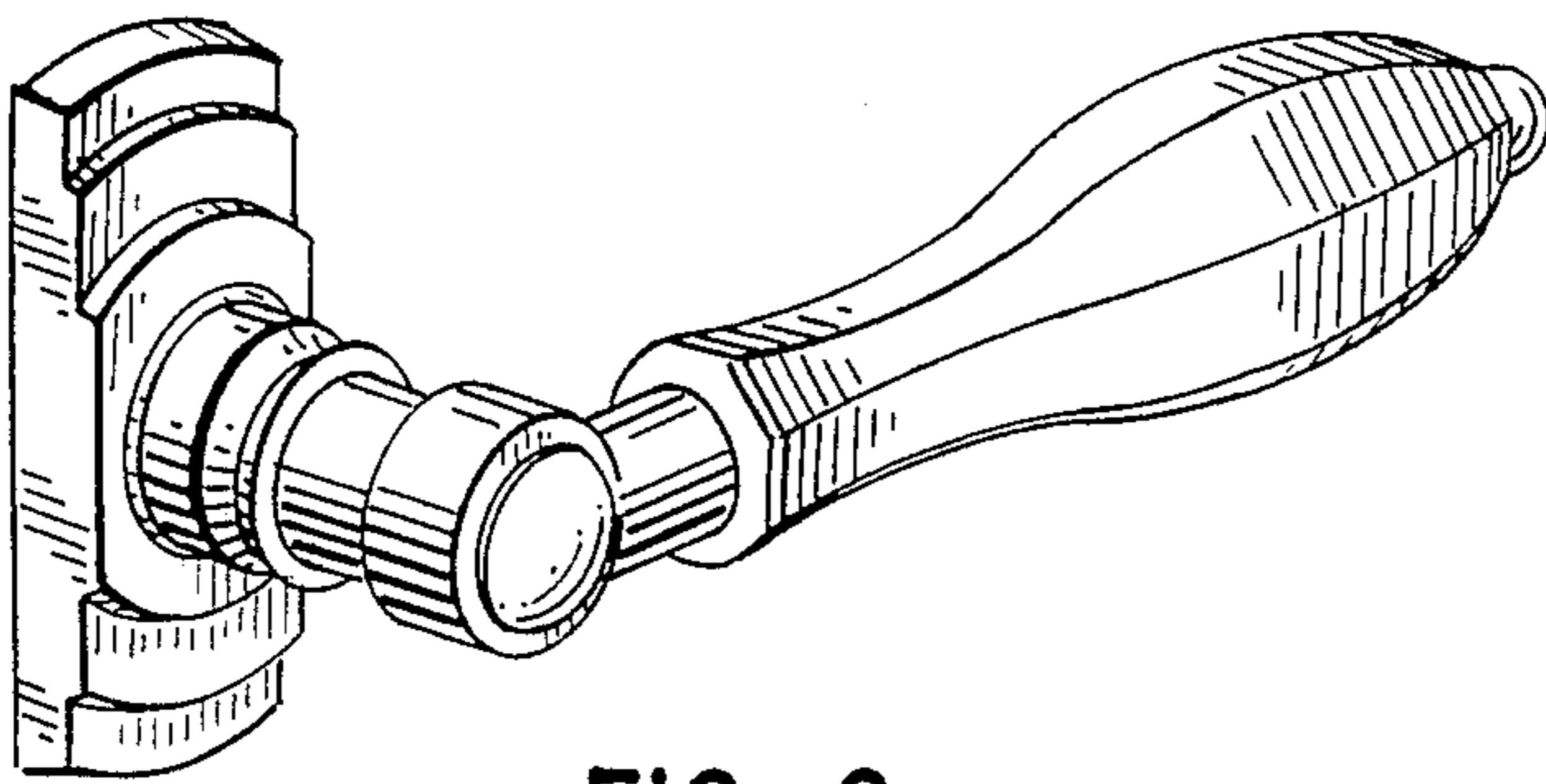


FIG. 6

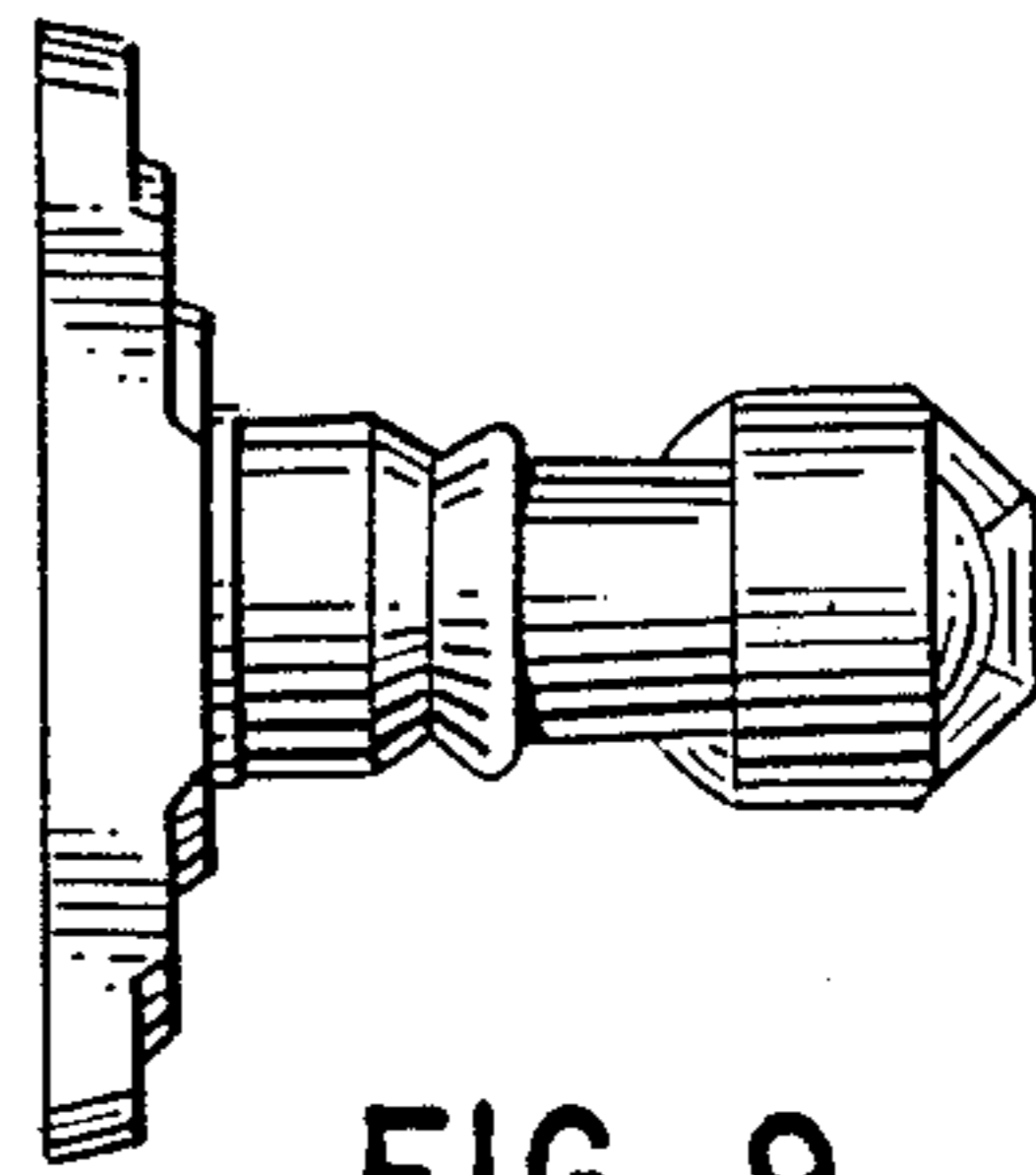


FIG. 9

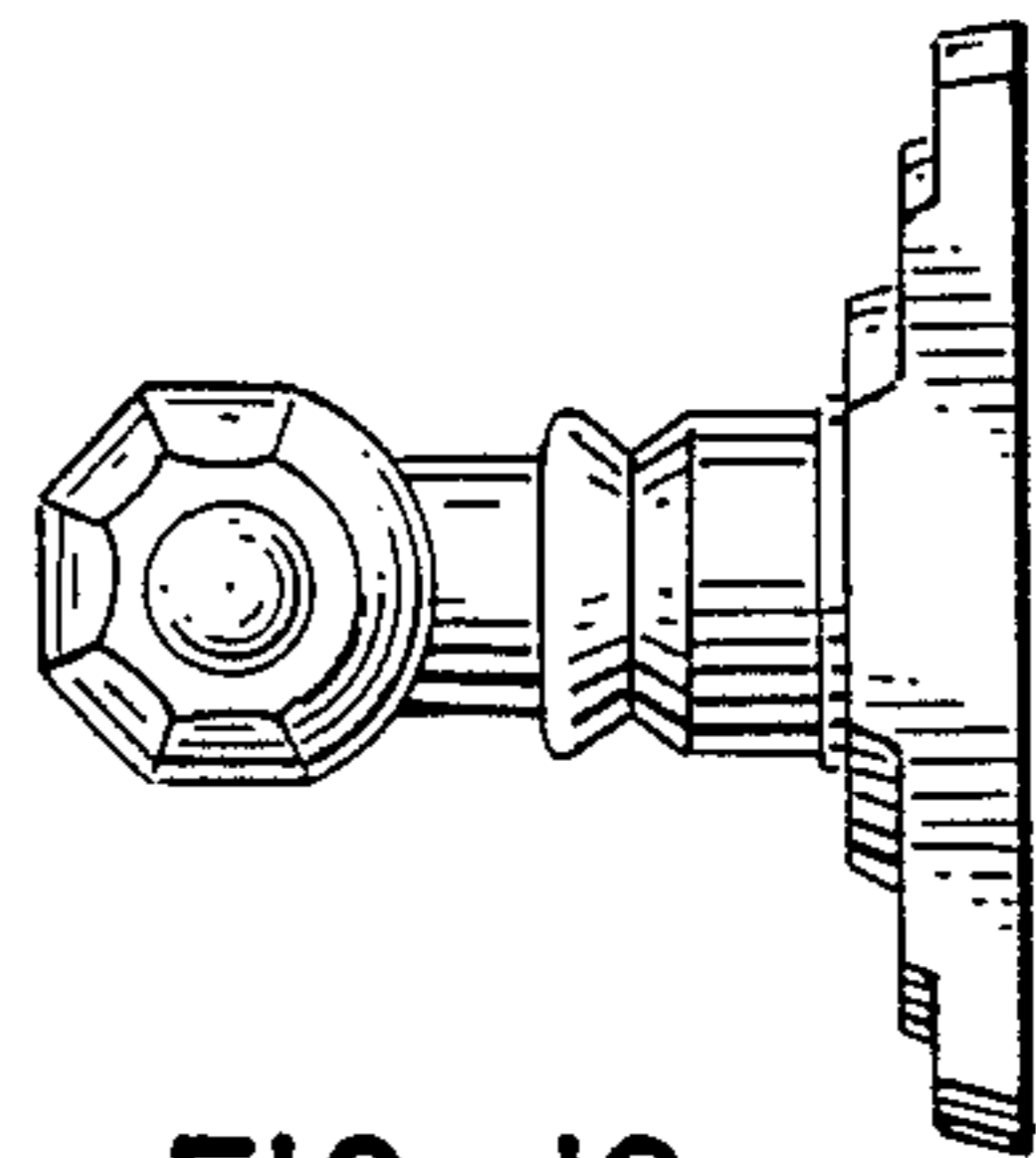


FIG. 10

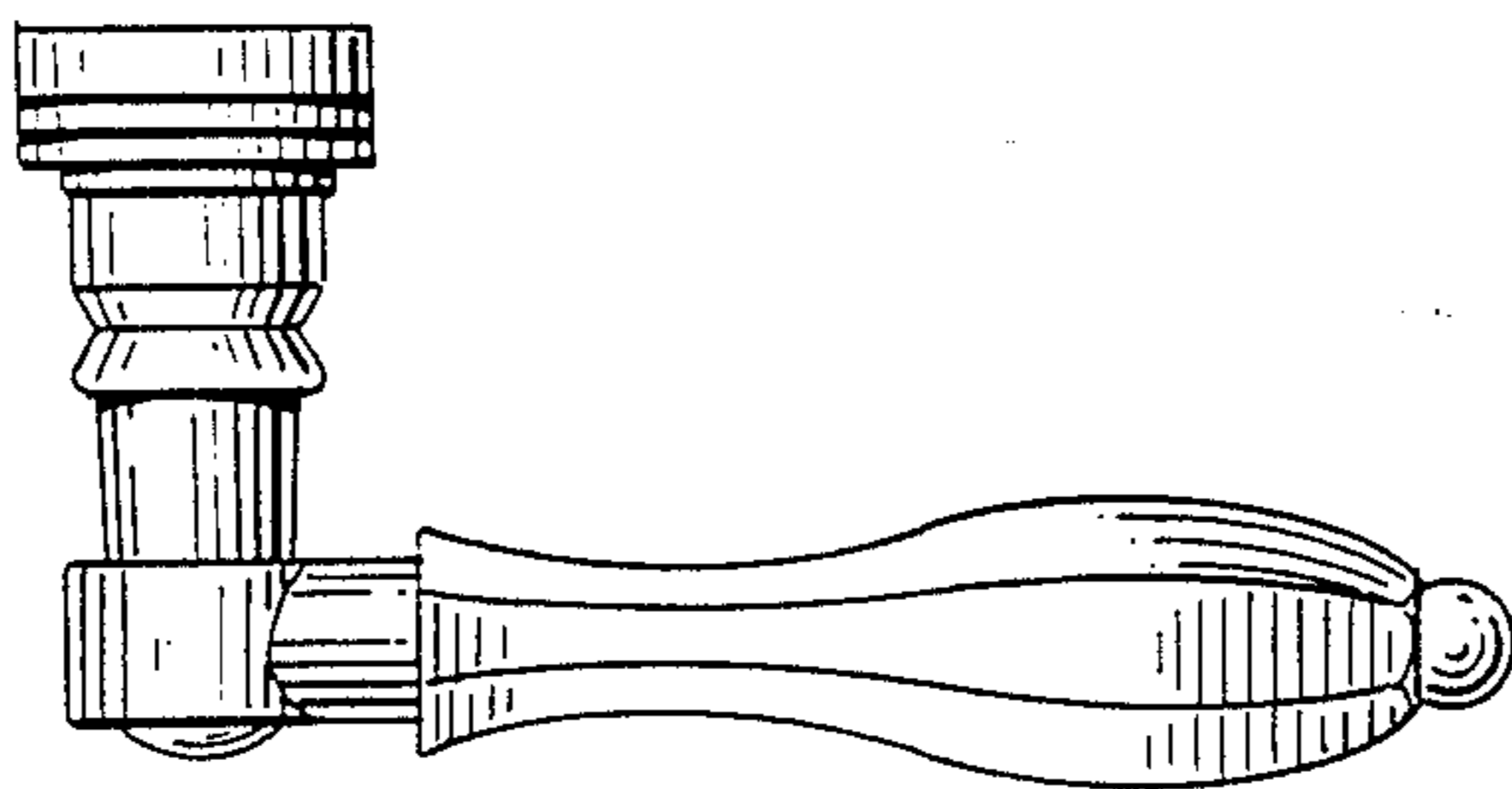


FIG. 7

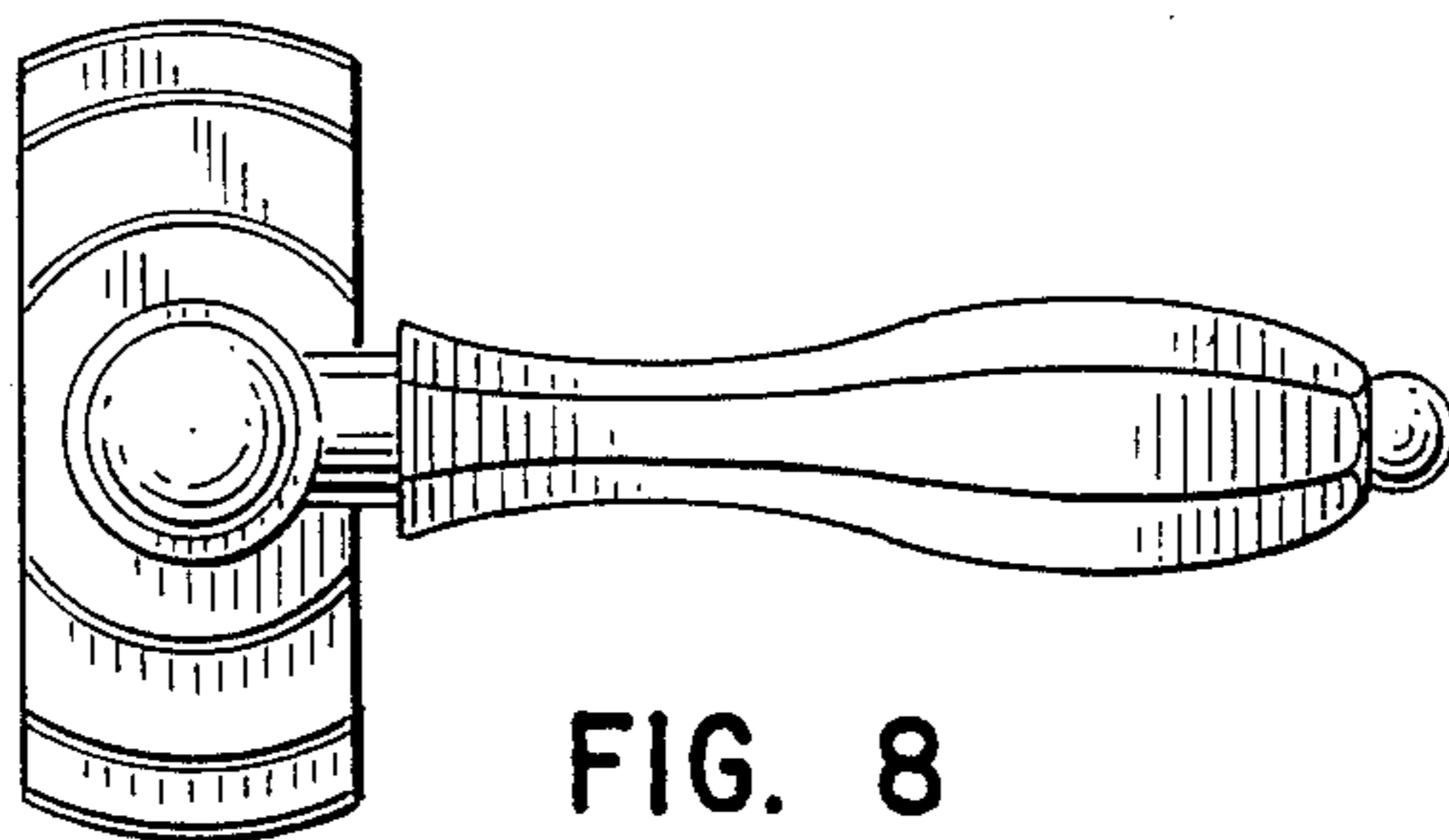


FIG. 8