

[54] HAND HELD DRILL WITH INTEGRAL LIGHT SOURCE

[76] Inventor: David N. Fonck, 1301 Agnes Ave., Joliet, Ill. 60435

[\*\*] Term: 14 Years

[21] Appl. No.: 104,484

[22] Filed: Oct. 5, 1987

[52] U.S. Cl. .... D8/68

[58] Field of Search ..... D8/61, 68, 69; 81/54, 81/57.11, 57.14, 429; 173/163, 170; 408/124, 125, 127; 310/50

[56] References Cited

U.S. PATENT DOCUMENTS

- D. 189,000 10/1960 Clay ..... D8/68
- D. 209,442 11/1967 Greene ..... D8/69
- D. 231,597 5/1974 Dinse ..... D8/68
- 4,448,098 5/1984 Totsu ..... 81/57.11

OTHER PUBLICATIONS

OK Machine & Tool Corporation , Wire Wrapping Tool.

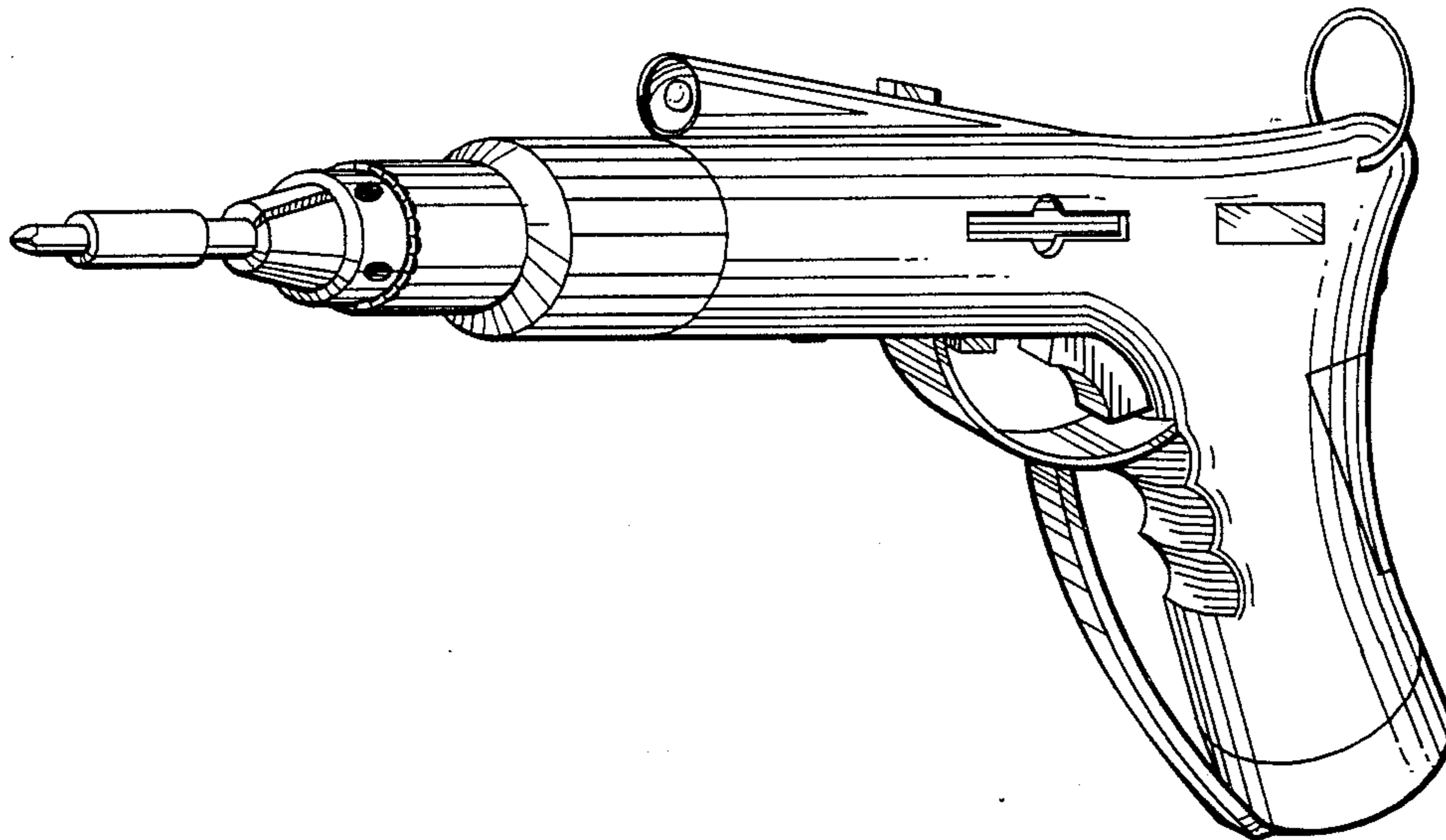
Primary Examiner—Bruce W. Dunkins  
Assistant Examiner—Clare E. Heflin  
Attorney, Agent, or Firm—Jerry T. Kearns

[57] CLAIM

The ornamental design for a hand held drill with integral light source, as shown and described.

DESCRIPTION

FIG. 1 is a front elevational view of a hand held drill with integral light source showing my new design; FIG. 2 is a rear elevational view thereof; FIG. 3 is a left side elevational view thereof; FIG. 4 is a right side elevational view thereof; FIG. 5 is a top plan view thereof; FIG. 6 is a bottom plan view thereof; and, FIG. 7 is a perspective view thereof.



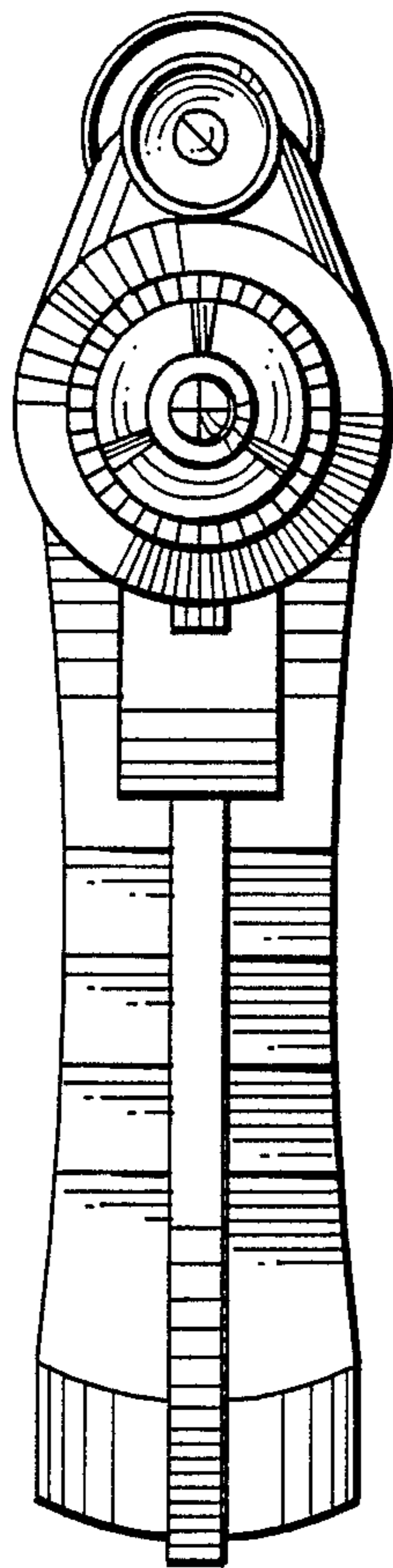


Fig. 1

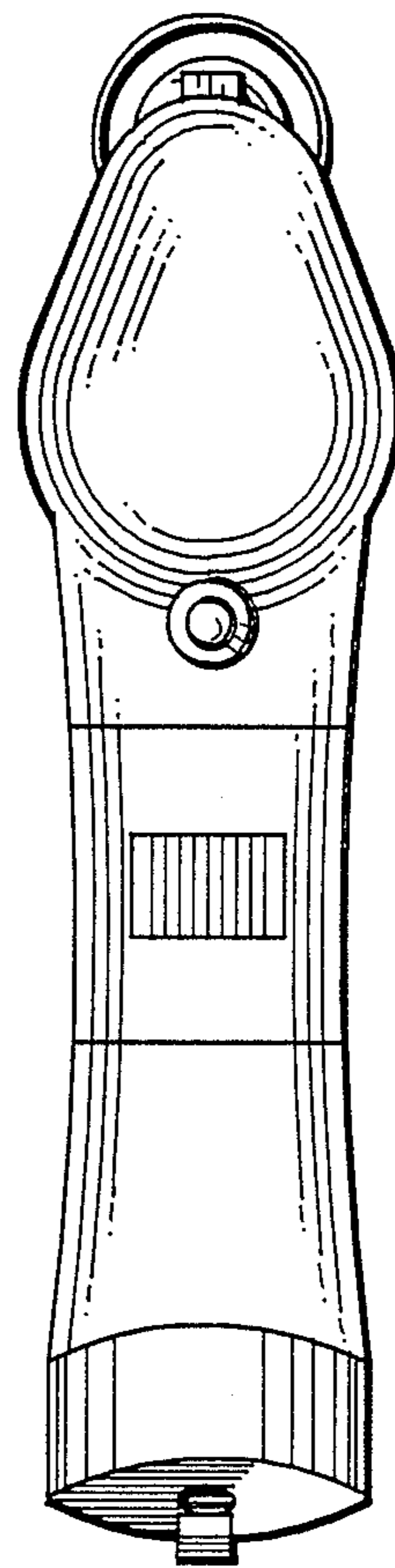


Fig. 2

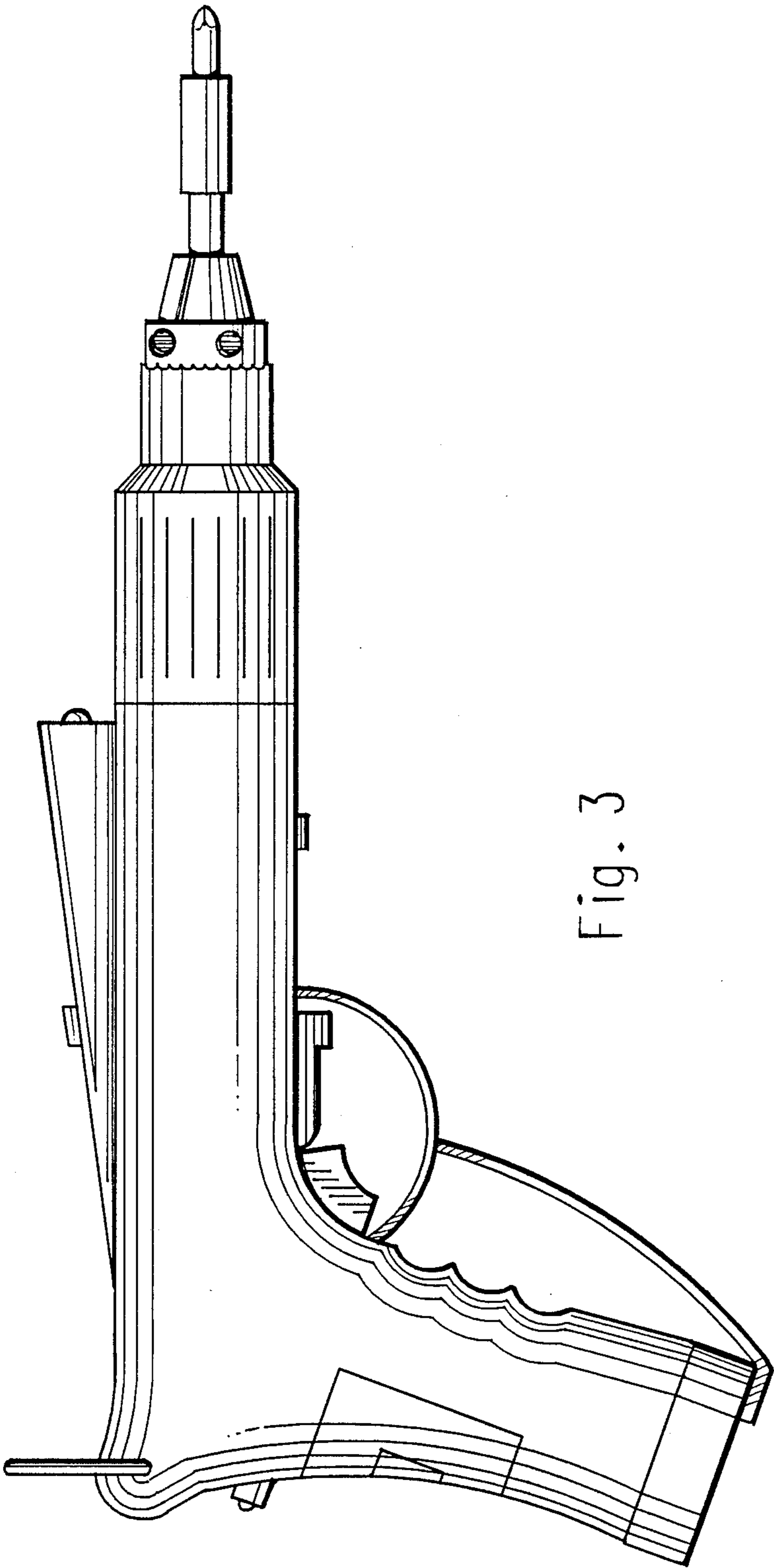


Fig. 3

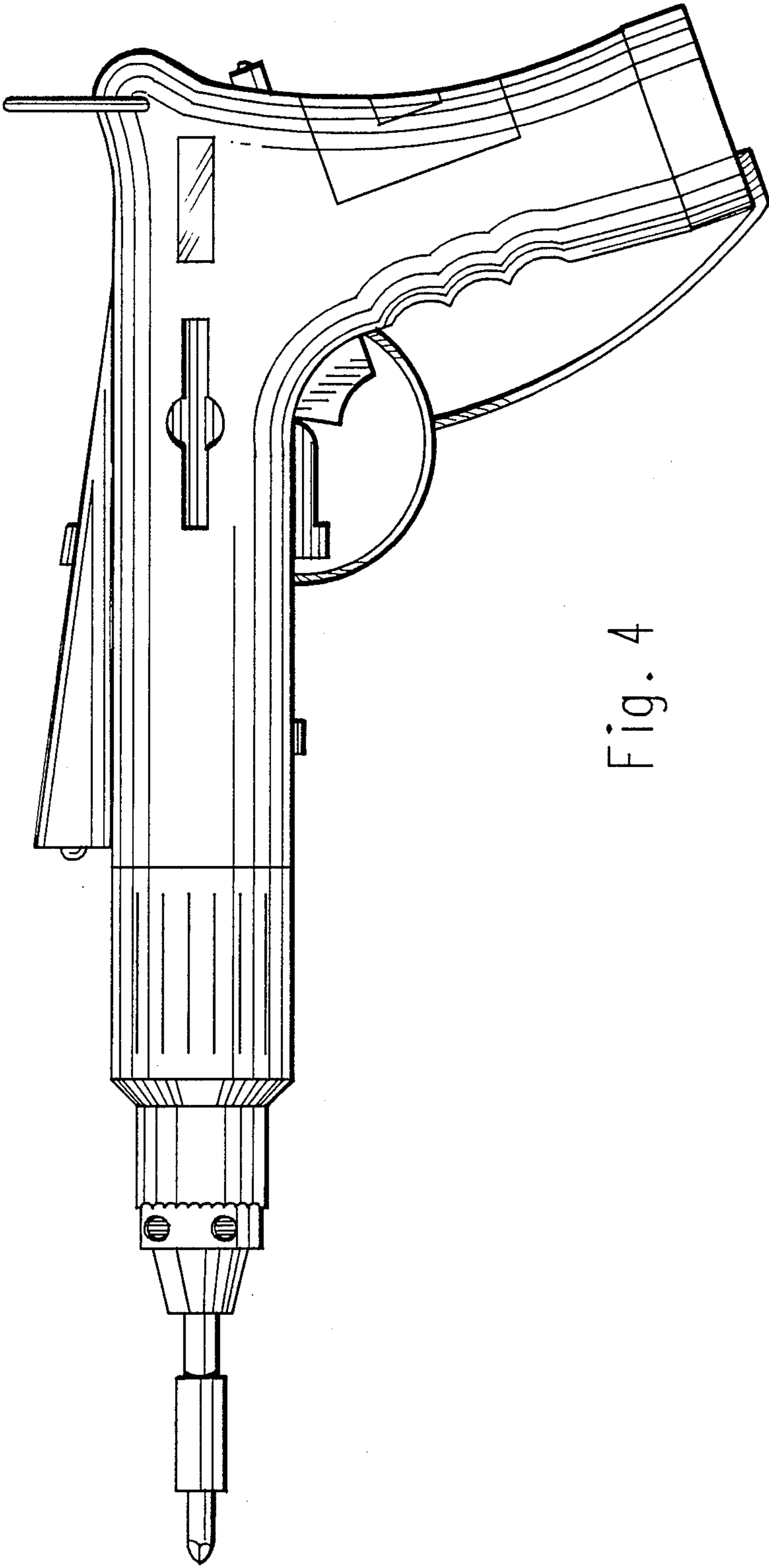


Fig. 4

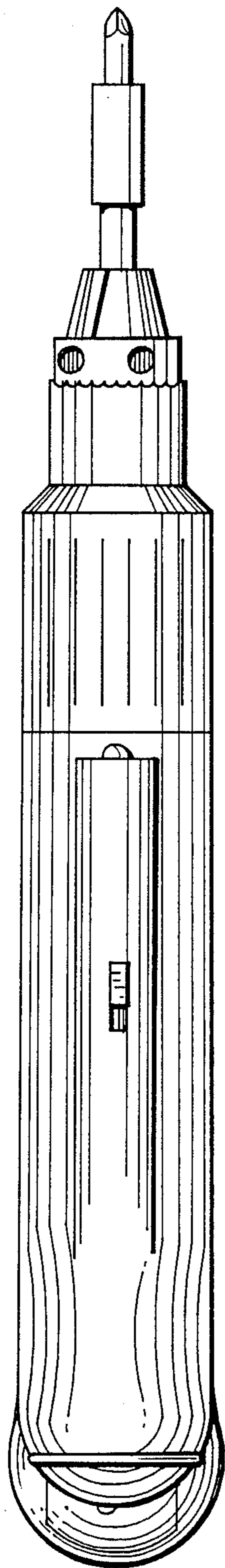


Fig. 5

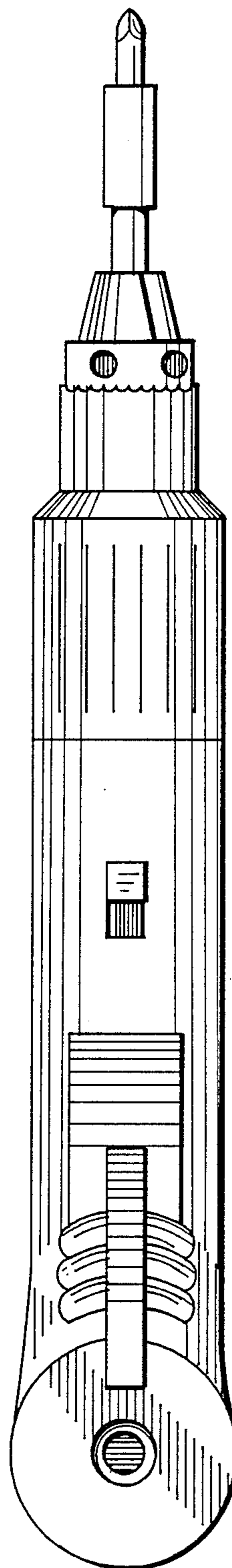


Fig. 6

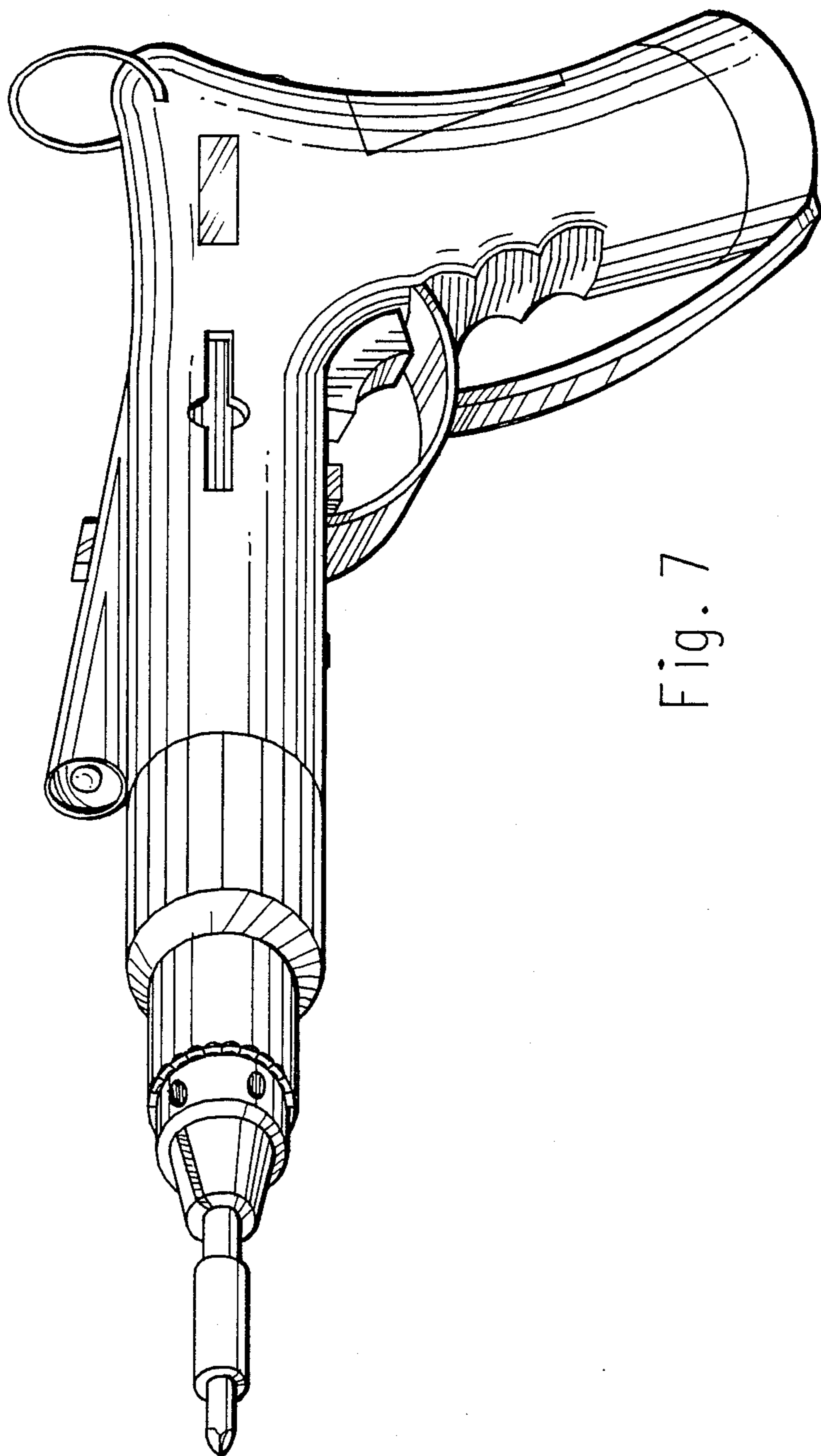


Fig. 7