

[54] PORTABLE PIPE END PREPARATION  
TOOL WITH RIGHT ANGLE FEED  
CONTROL

[75] Inventors: William E. Sandford, Camino; Terry  
B. Linton, Orangevale, both of Calif.

[73] Assignee: Tri Tool Inc., Rancho Cordova,  
Calif.

[\*\*] Term: 14 Years

[21] Appl. No.: 813,476

[22] Filed: Dec. 26, 1985

[52] U.S. Cl. .... D8/61

[58] Field of Search ..... D15/122, 130;  
D8/61-70; 409/175; 408/80, 81; 82/4 C

4,319,503 3/1982 Saine et al. .... 82/4 C  
4,364,290 12/1982 Astle ..... 82/4 C  
4,434,689 3/1984 Nall et al. .... 82/4 C  
4,459,883 7/1984 Astle ..... 82/4 C  
4,470,734 9/1984 Miller ..... 409/175

Primary Examiner—Bruce W. Dunkins  
Assistant Examiner—Clare E. Heflin  
Attorney, Agent, or Firm—Bacon & Thomas

[57] CLAIM

The ornamental design for a portable pipe end prepara-  
tion tool with right angle feed control, as shown and  
described.

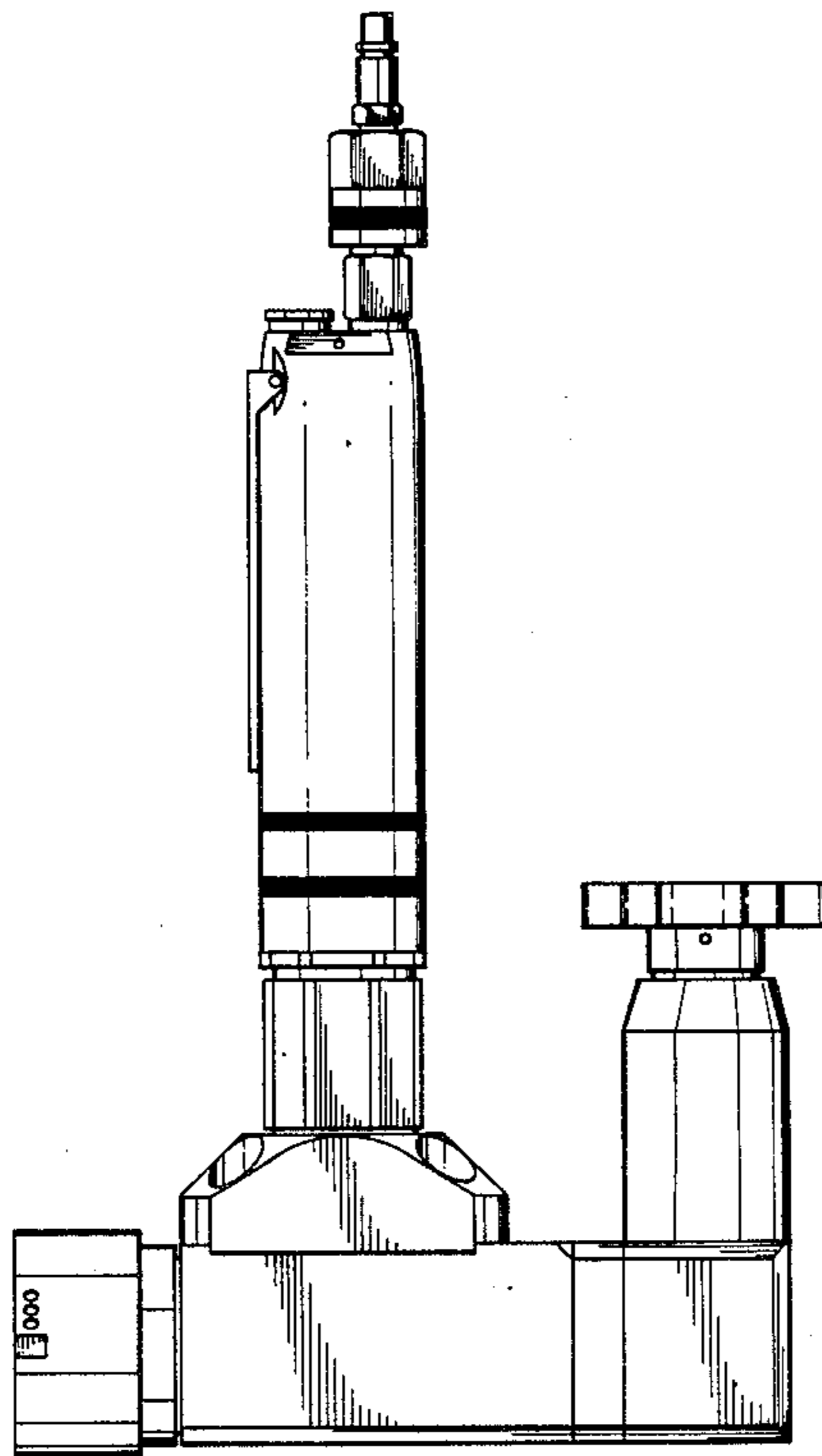
DESCRIPTION

FIG. 1 is a left side elevational view of a portable pipe end  
preparation tool with right angle feed control  
showing our new design;  
FIG. 2 is a right side elevational view thereof;  
FIG. 3 is a front elevational view thereof;  
FIG. 4 is a rear elevational view thereof;  
FIG. 5 is a top plan view thereof;  
FIG. 6 is a bottom plan view thereof.

[56] References Cited

U.S. PATENT DOCUMENTS

D. 276,881 12/1984 Astle ..... D15/130  
D. 276,882 12/1984 Astle ..... D8/61  
4,114,484 9/1978 Feamster, III ..... 82/4 C  
4,257,289 3/1981 Groothium ..... 82 4 C/



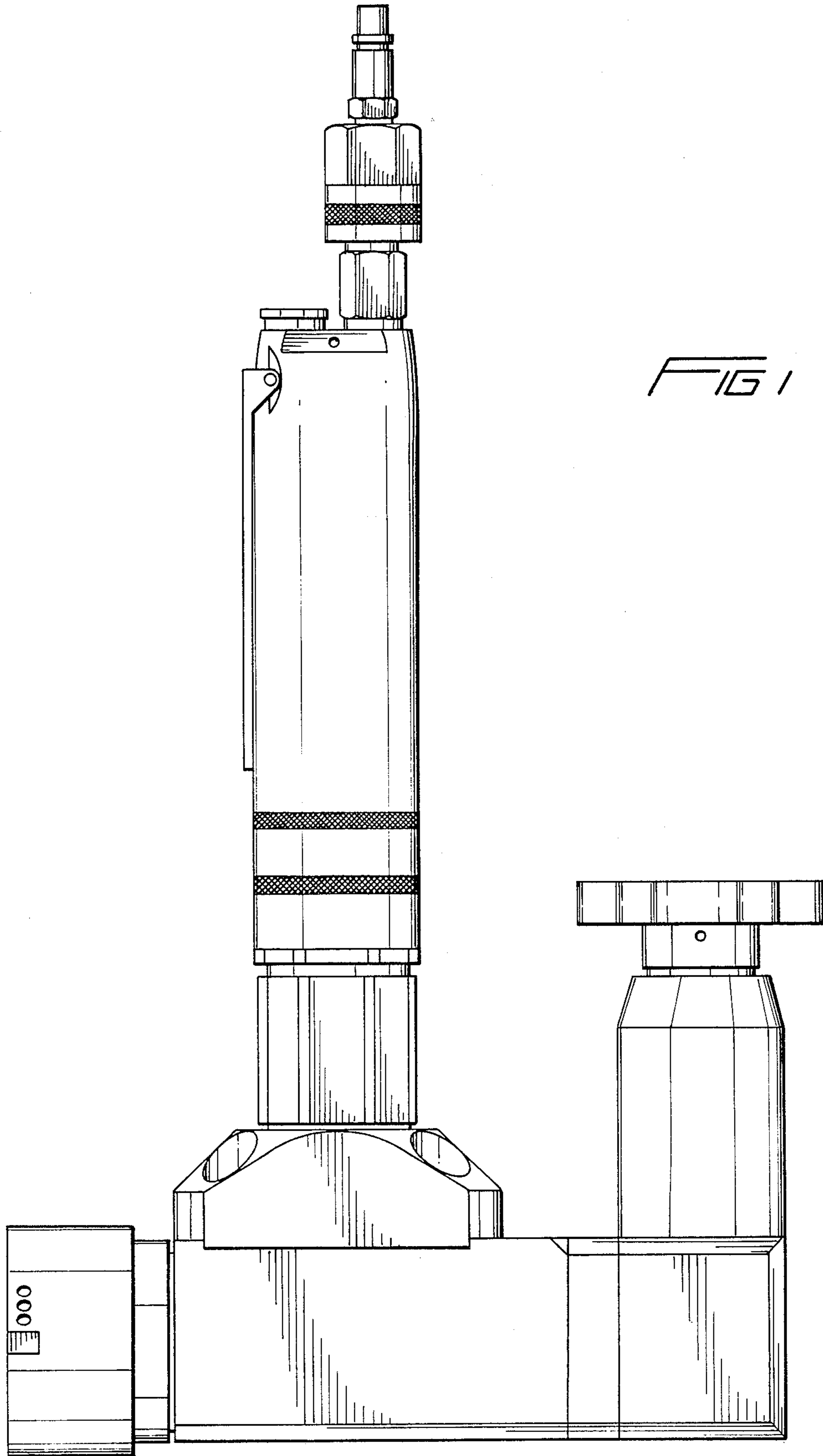
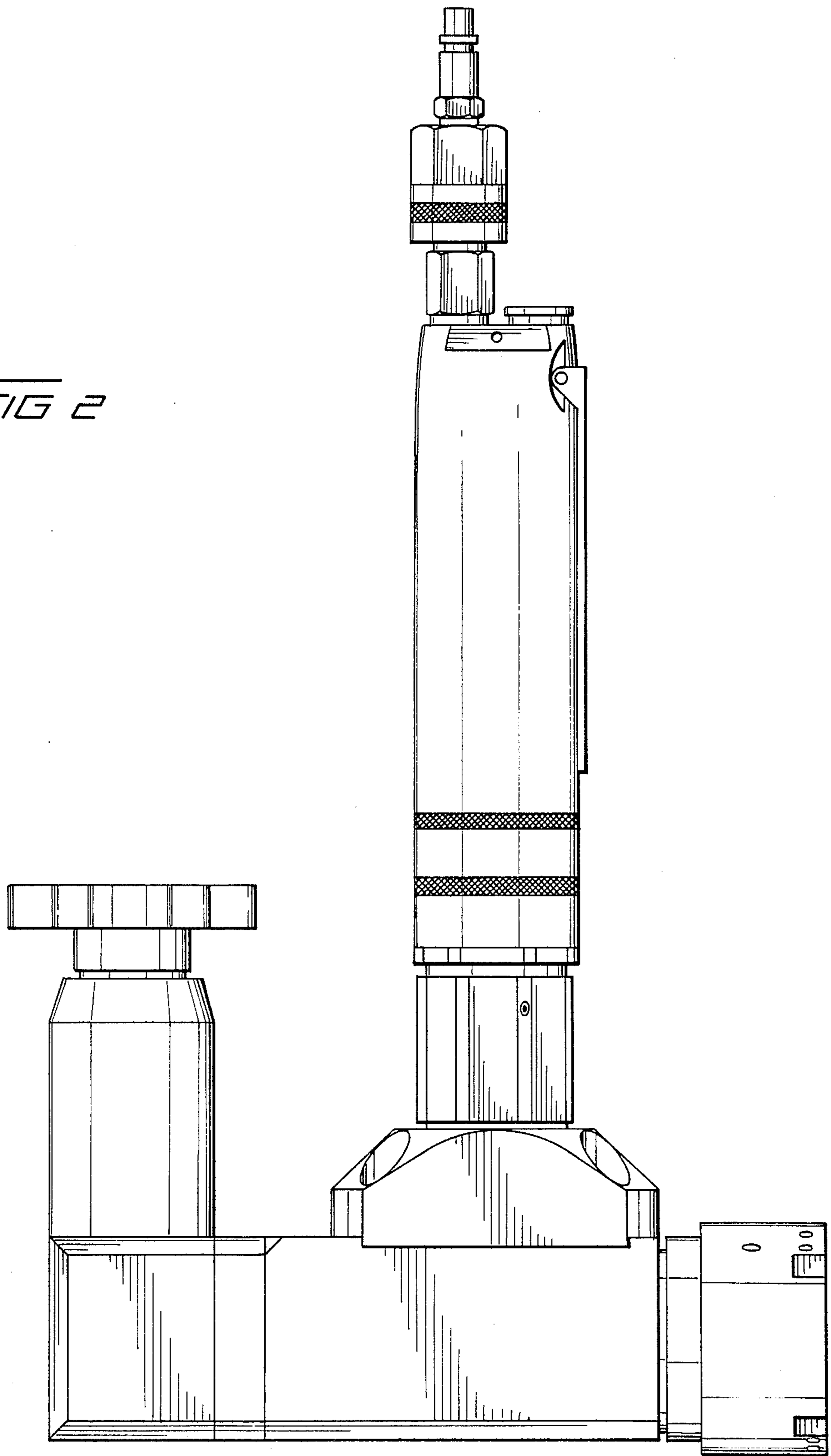


FIG 2



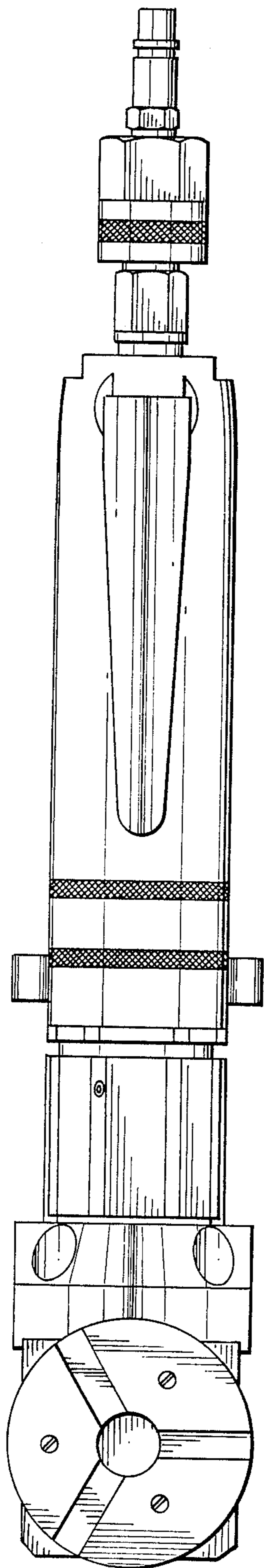


FIG 3

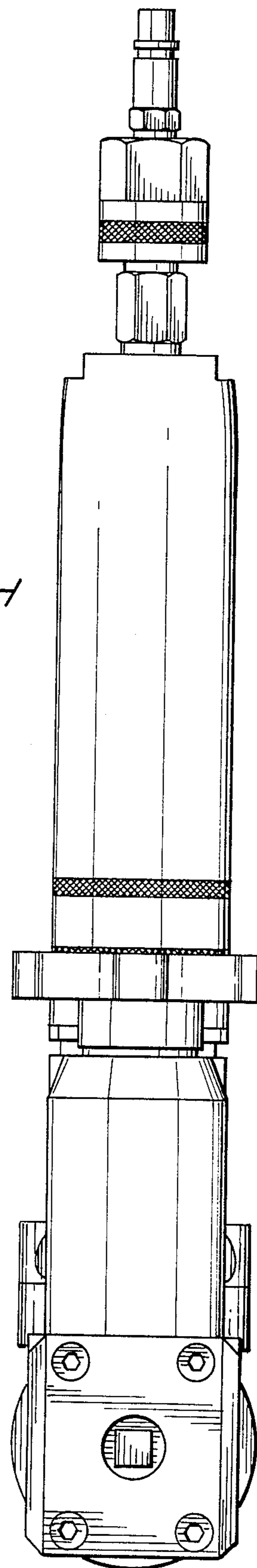


FIG 4

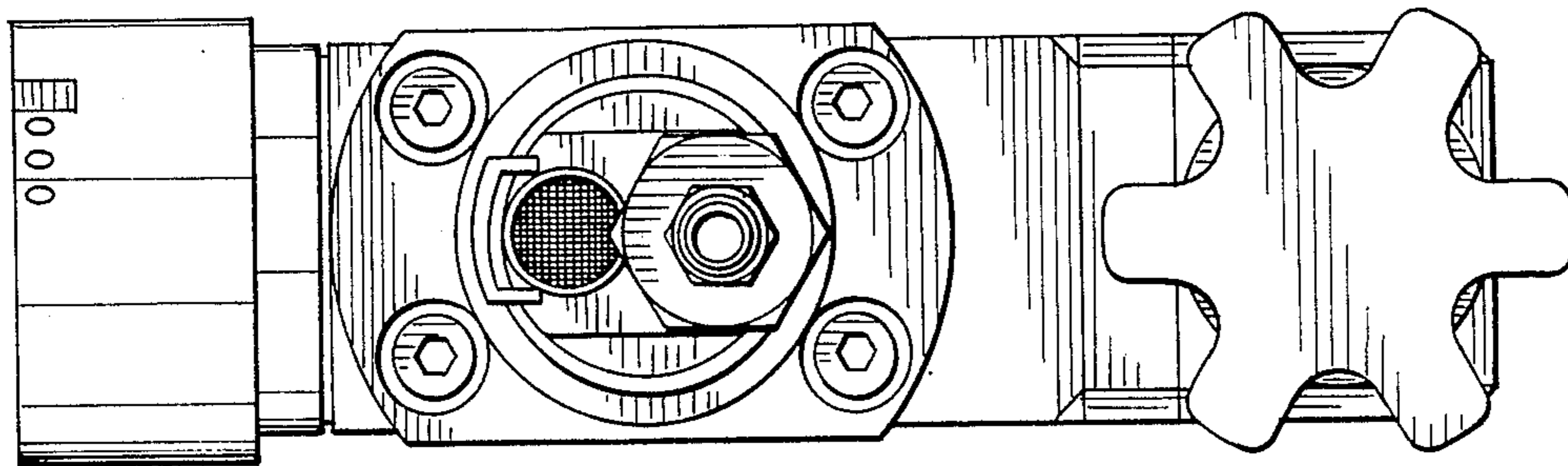


FIG 5

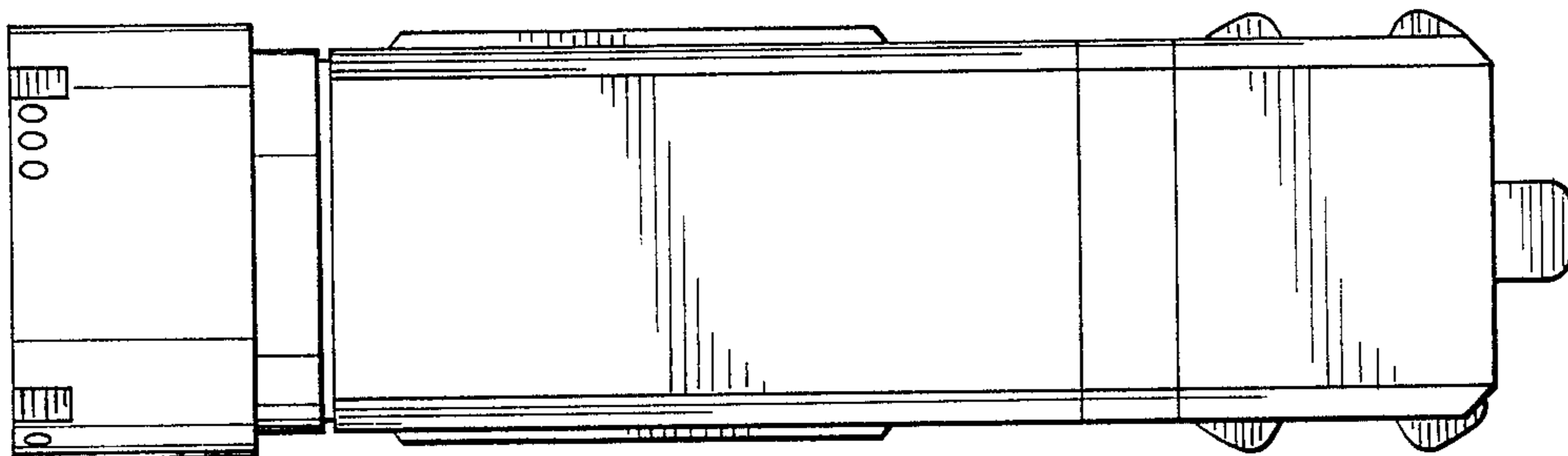


FIG 6