

[54] **SCISSORS**

[76] **Inventor: Ming L. Wang, No. 6-58, Lane Jwi-Chong, Village Paisa, Hwa-tang Shian, Jian-Hwa Hsien, Taiwan**

[**] **Term: 14 Years**

[21] **Appl. No.: 851,101**

[22] **Filed: Apr. 14, 1986**

[52] **U.S. Cl. D7/57**

[58] **Field of Search D8/57; 30/145-146, 30/230, 256-257, 261; 7/135**

[56] **References Cited**

U.S. PATENT DOCUMENTS

738,994 9/1903 Grant D8/57 X

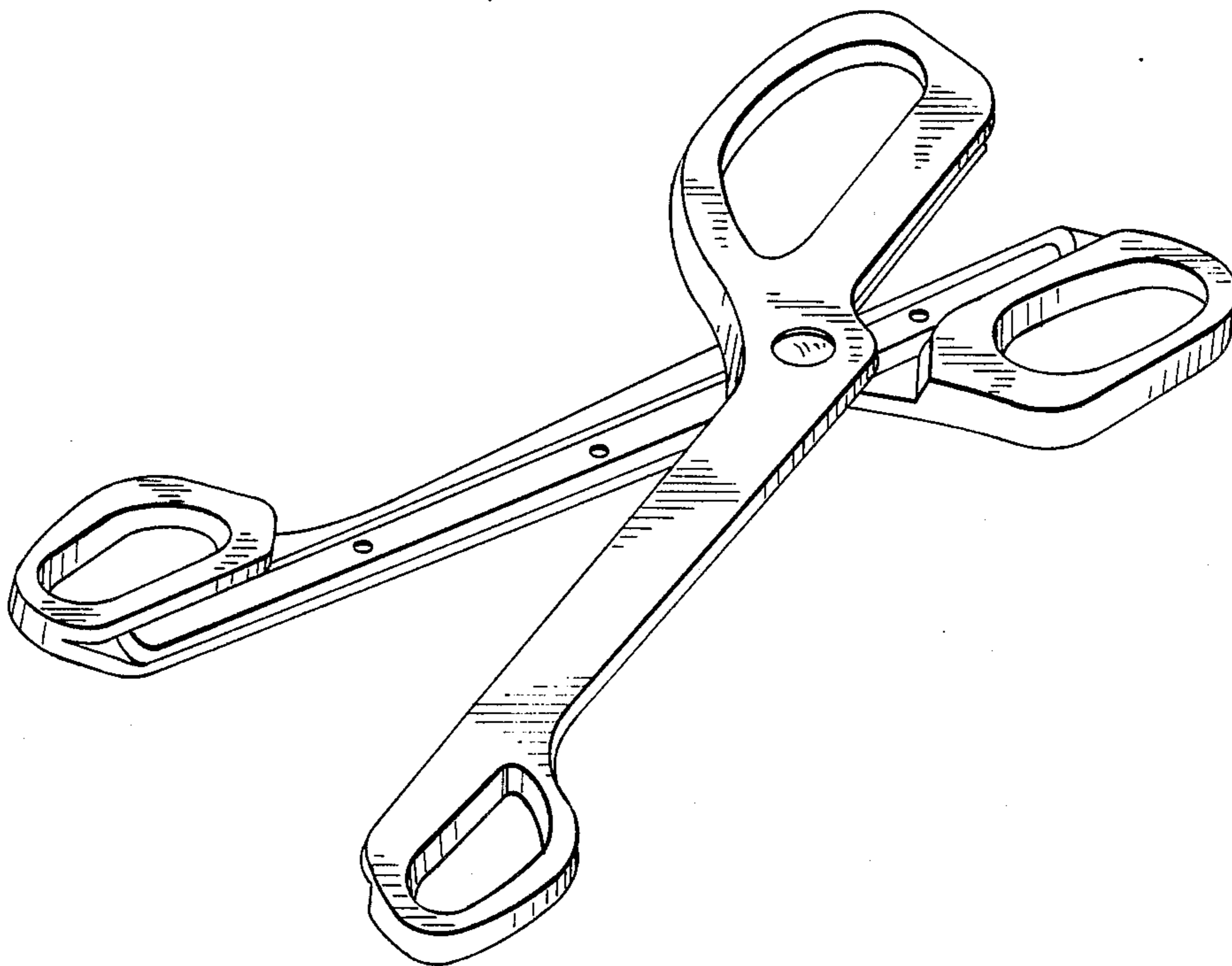
*Primary Examiner—B. J. Bullock
Assistant Examiner—Terry A. Pfeffer
Attorney, Agent, or Firm—Bacon & Thomas*

[57] **CLAIM**

The ornamental design for a scissors, as shown and described.

DESCRIPTION

FIG. 1 is a perspective view of the scissors design; FIG. 2 is a front elevational view thereof, the opposite side being a mirror image; FIG. 3 is a right side elevational view thereof; FIG. 4 is a top plan view thereof, the opposite side being a mirror image; FIG. 5 is a left side elevational view thereof; and FIG. 6 is a perspective view thereof in an open position.



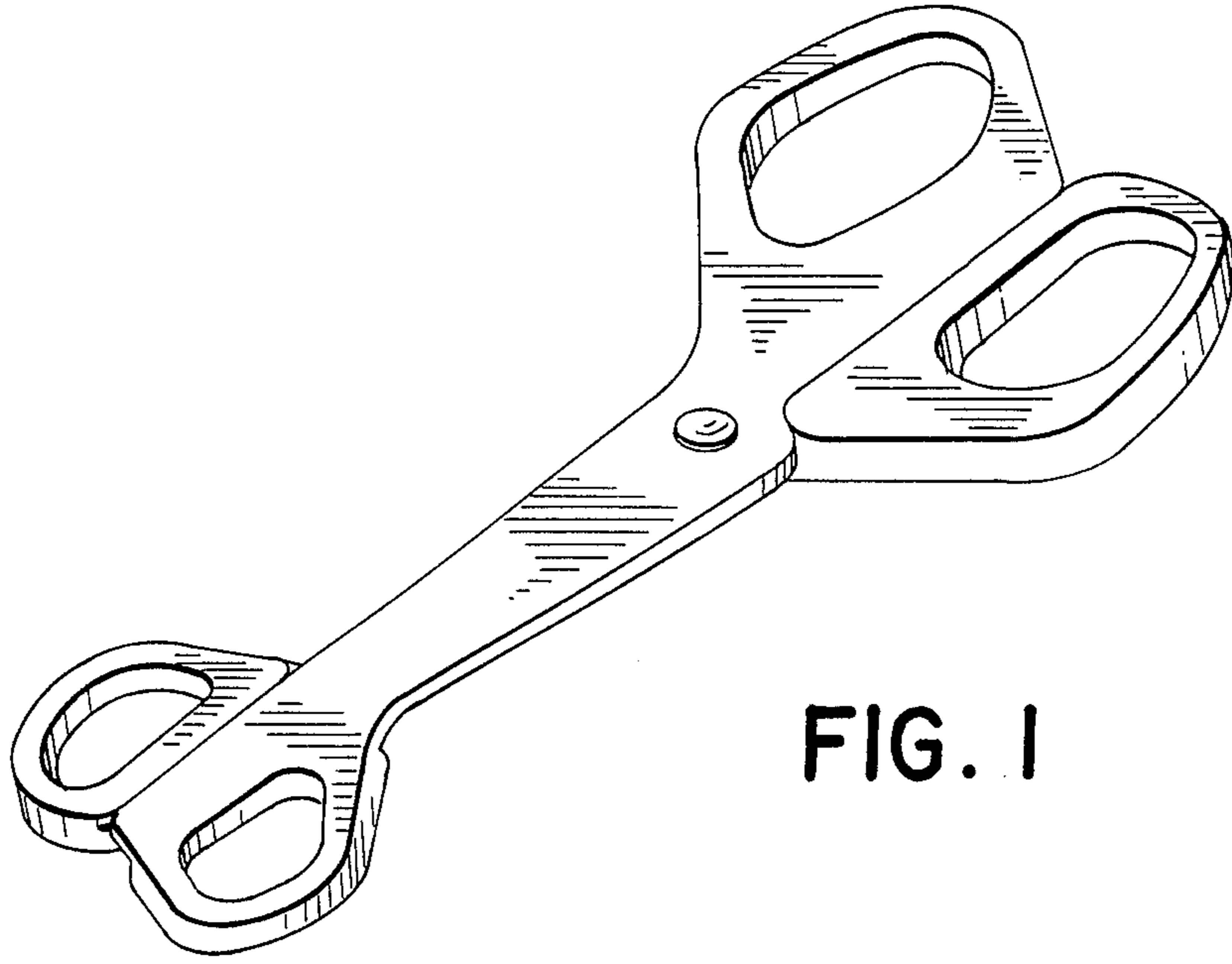


FIG. 1

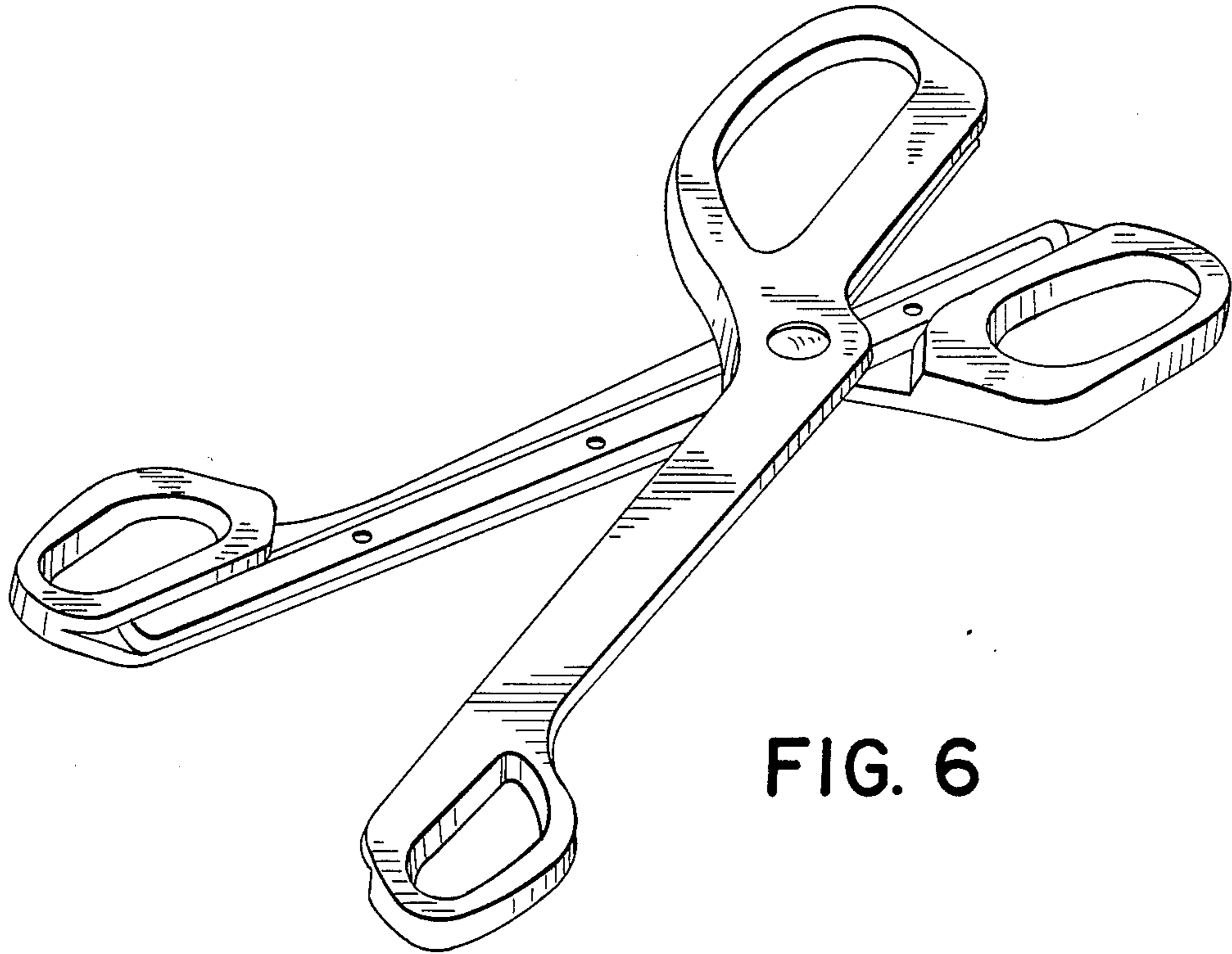


FIG. 6

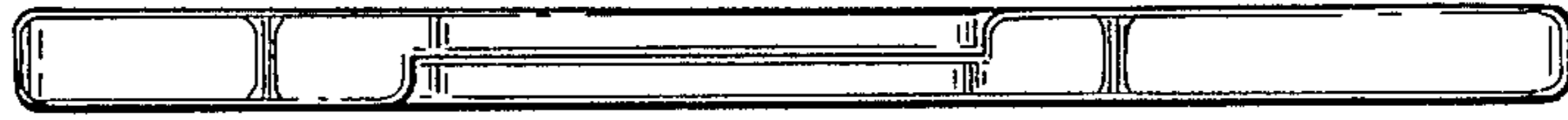


FIG. 4

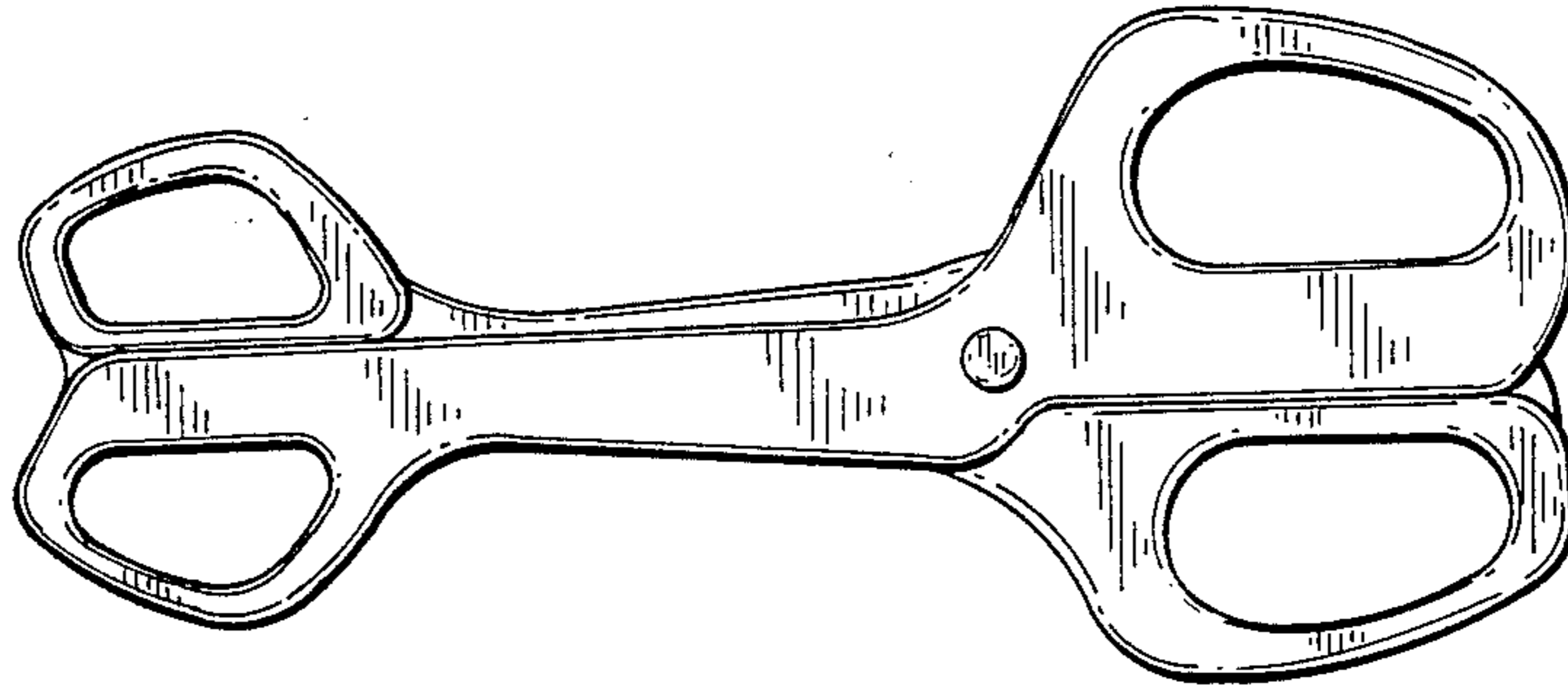


FIG. 2



FIG. 5



FIG. 3