

United States Patent [19]

Savell

[11] Patent Number: Des. 303,481

[45] Date of Patent: ** Sep. 19, 1989

[54] OUTDOOR GRIDDLE

[76] Inventor: James L. Savell, Box 189, Hwy. 400,
Wilson, Tex. 79381

[**] Term: 14 Years

[21] Appl. No.: 135,759

[22] Filed: Dec. 21, 1987

[52] U.S. Cl. D7/363

[58] Field of Search D7/402-403,
D7/409, 337; 126/25 R, 25 A, 25 AA, 25 B, 27,
29-30, 37 R, 38, 41 R, 9 R, 9 B, 275 R; 211/106,
134, 175, 181

[56] References Cited

U.S. PATENT DOCUMENTS

D. 154,195 6/1949 Beck .
D. 184,799 4/1959 Clemens D6/511
D. 243,436 2/1977 Vida D7/332
4,054,123 10/1977 Corter 126/25 R

4,178,844 12/1979 Ward et al. 211/175
4,475,528 10/1984 Kuchenbrod 126/29
4,688,542 8/1987 Isbell 126/25 A

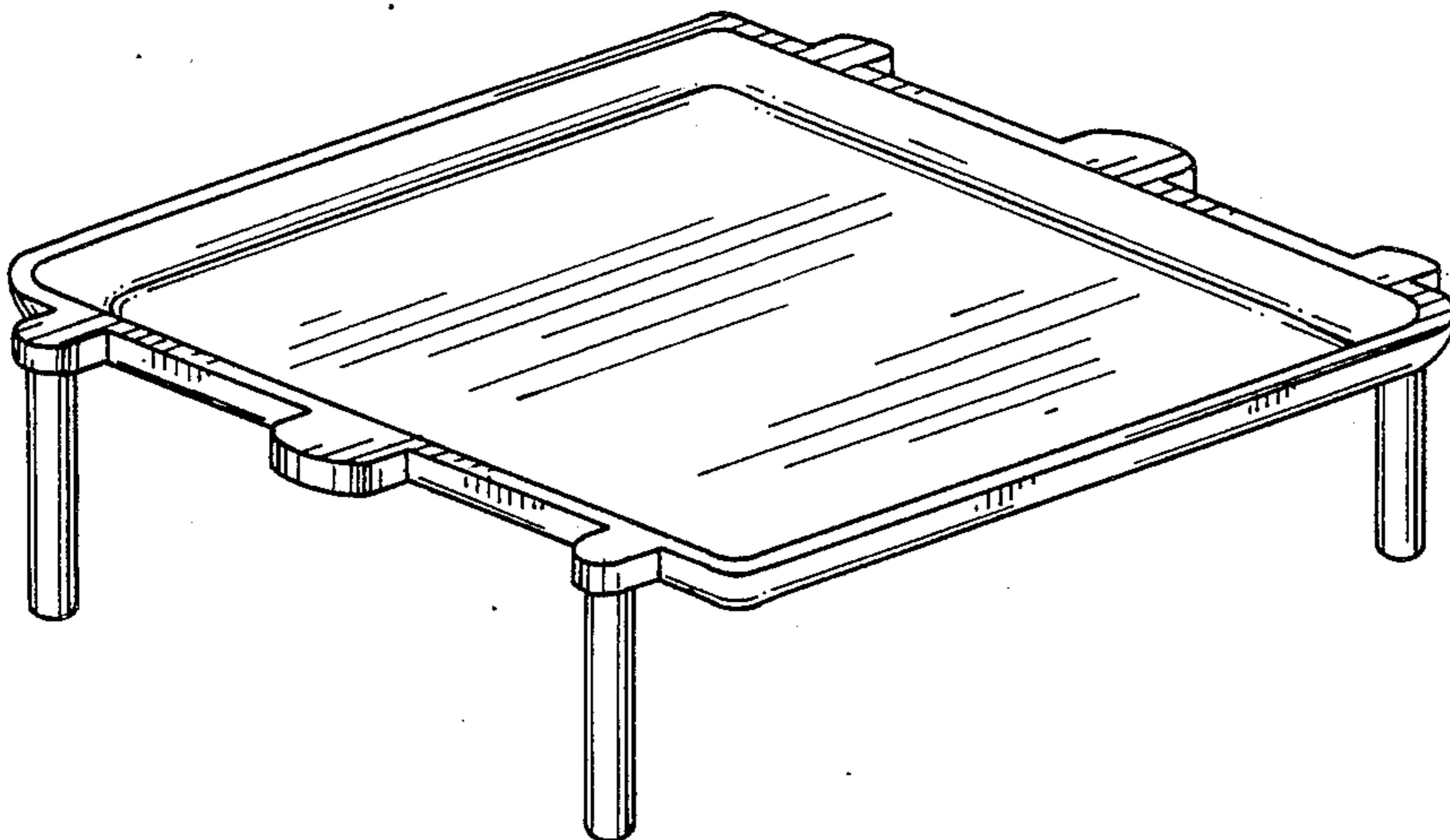
Primary Examiner—Bruce W. Dunkins
Assistant Examiner—Ruth Takemoto
Attorney, Agent, or Firm—Norman B. Rainer

[57] CLAIM

The ornamental design for an outdoor griddle, as shown and described.

DESCRIPTION

FIG. 1 is a top perspective view of an outdoor griddle showing my new design;
FIG. 2 is a top plan view thereof;
FIG. 3 is a sectional view thereof taken along line 3—3 of FIG. 2; and
FIG. 4 is a side elevational view thereof, the opposite side being identical.



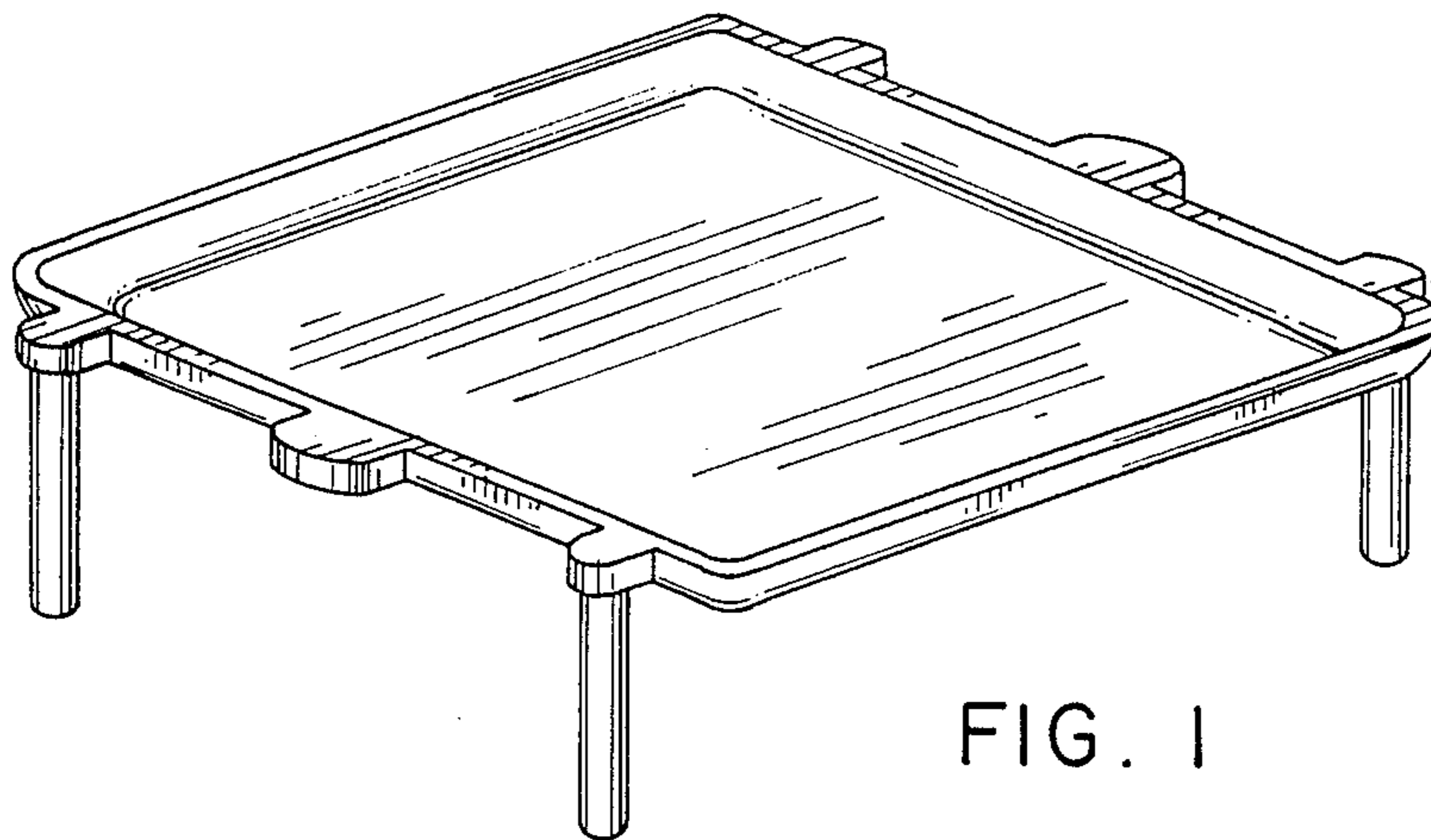


FIG. 1

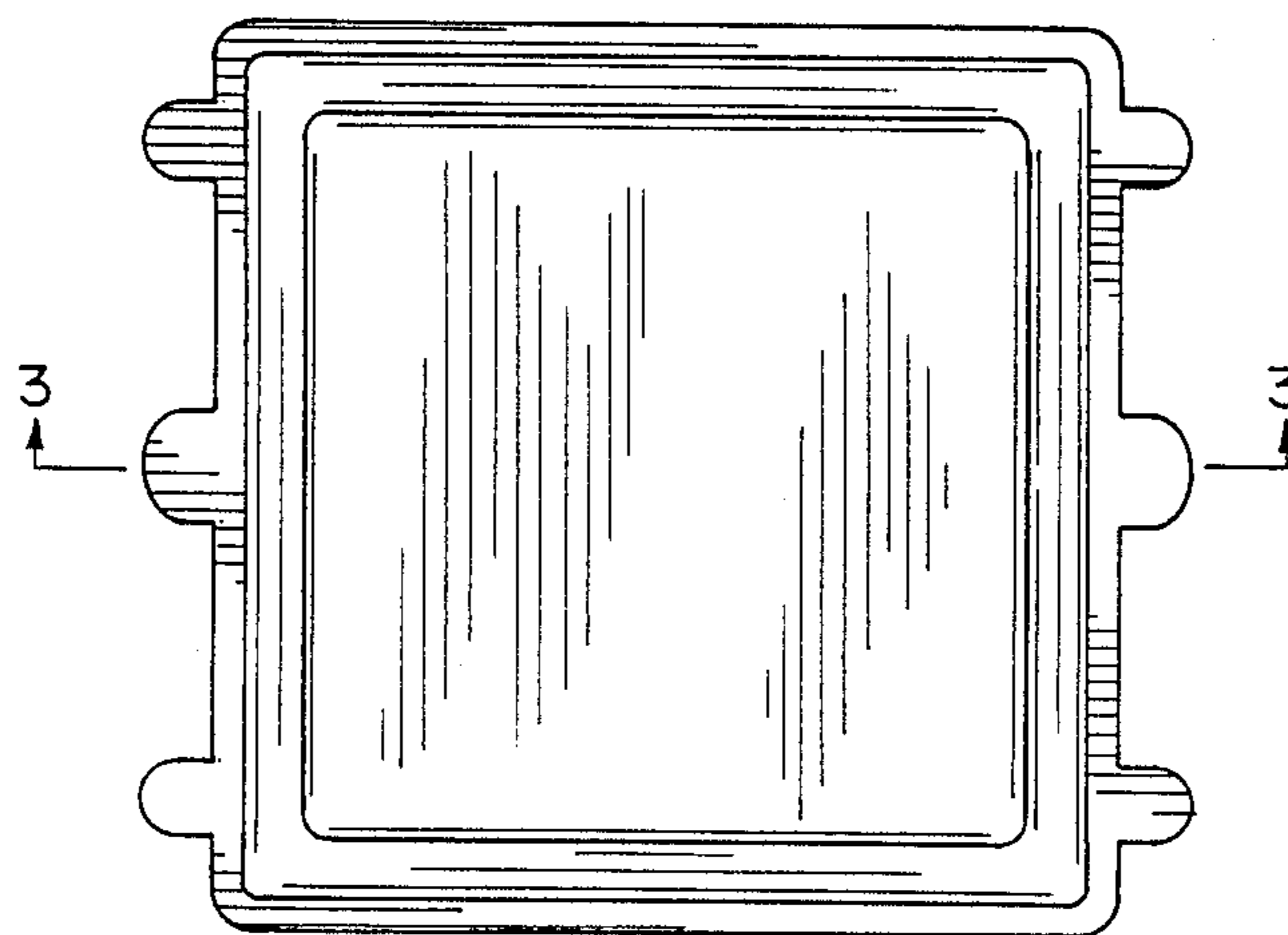


FIG. 2

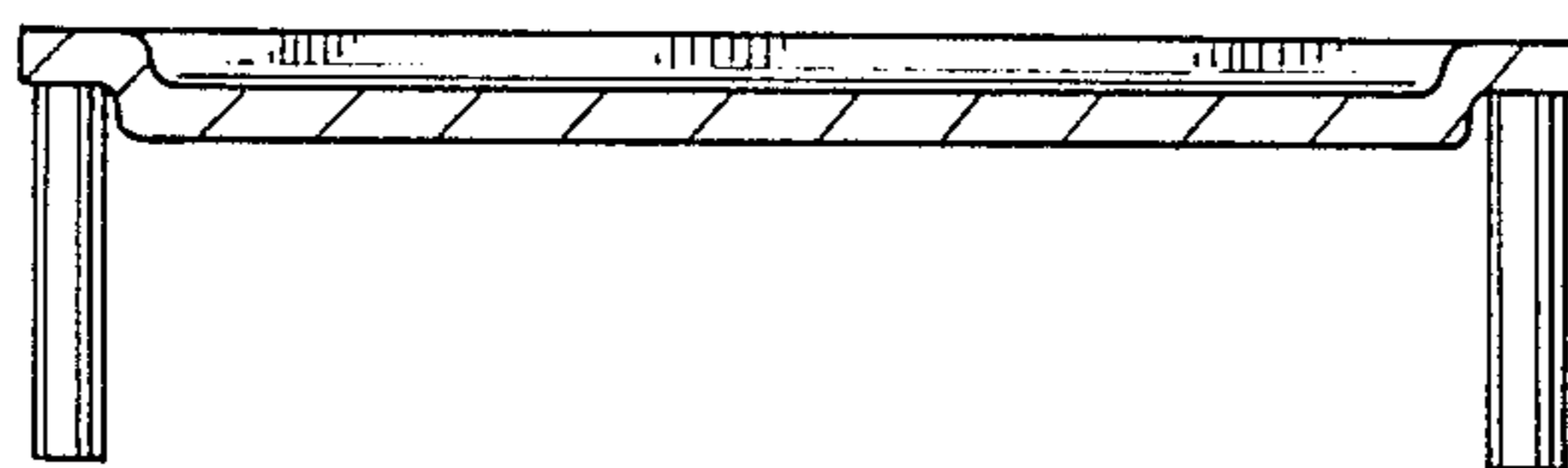


FIG. 3

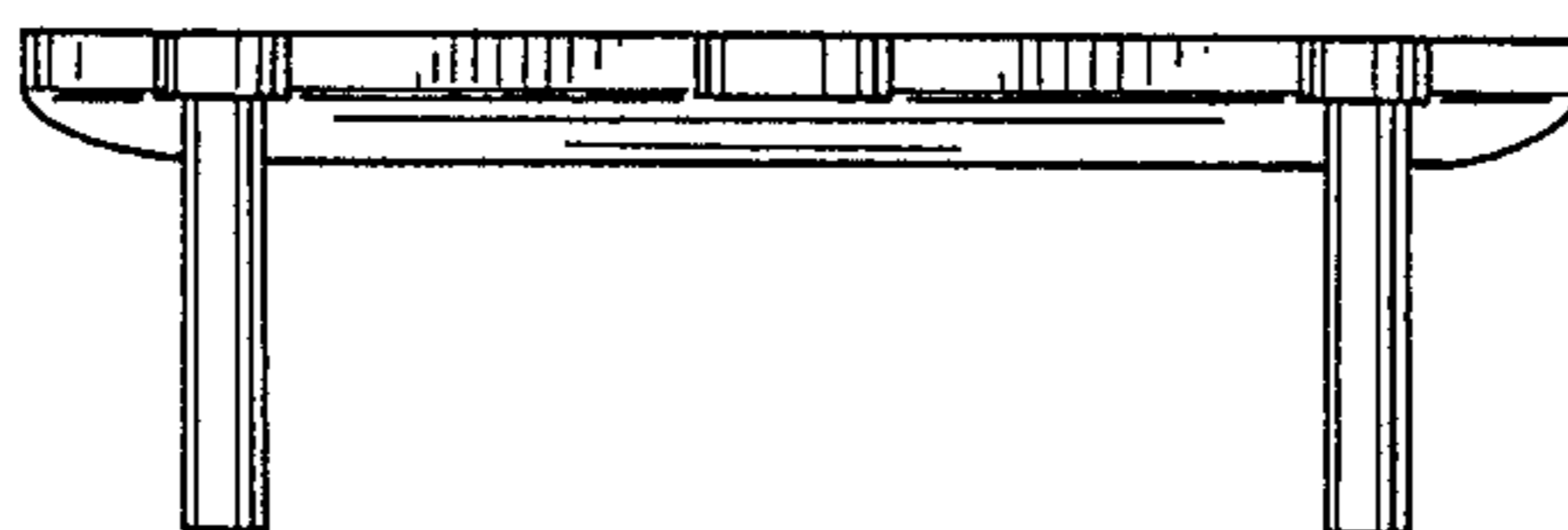


FIG. 4