

[54] ELECTRIC COFFEE MAKER

D. 296,180 6/1988 Jack ..... D7/309  
4,081,659 3/1978 Kemp ..... D7/309 X  
4,644,856 2/1987 Borgmann ..... D7/309 X

[75] Inventor: Masao Tsuji, Old Lyme, Conn.

[73] Assignee: North American Philips Corporation,  
New York, N.Y.

Primary Examiner—Winifred E. Herrmann  
Attorney, Agent, or Firm—Algy Tamoshunas

[\*\*] Term: 14 Years

[57] CLAIM

[21] Appl. No.: 943,286

The ornamental design for an electric coffee maker, as shown.

[22] Filed: Dec. 17, 1986

[52] U.S. Cl. .... D7/309

[58] Field of Search ..... D7/309, 300, 305, 308,  
D7/311

DESCRIPTION

FIG. 1 is a front elevational view of an electric coffee maker showing my new design;  
FIG. 2 is a right side elevational view thereof;  
FIG. 3 is a top plan view thereof;  
FIG. 4 is a bottom plan view thereof;  
FIG. 5 is a rear elevational view thereof; and  
FIG. 6 is a left side elevational view thereof.

[56] References Cited  
U.S. PATENT DOCUMENTS  
D. 253,572 12/1979 Rinaldi ..... D7/309

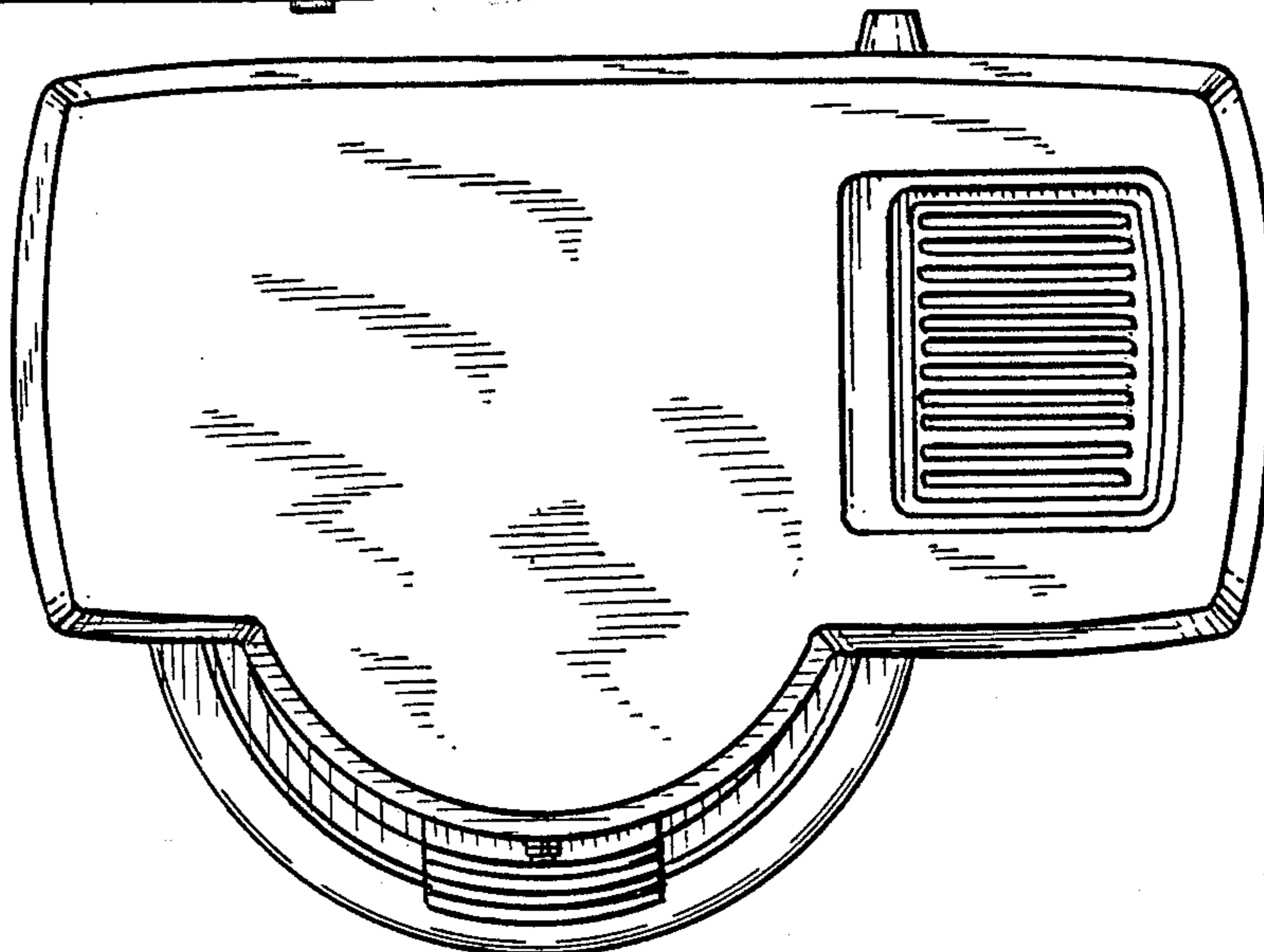
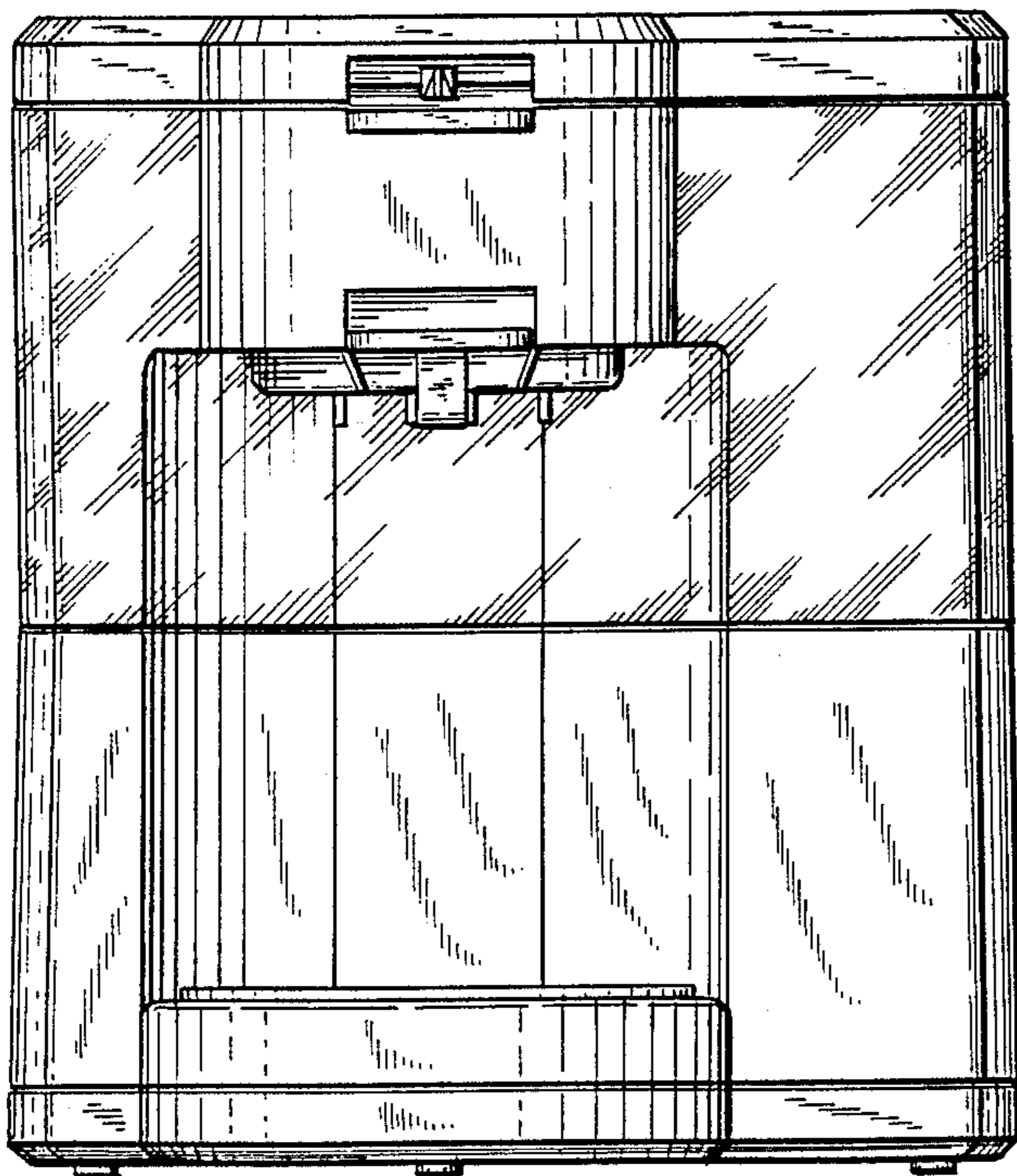


FIG. 2

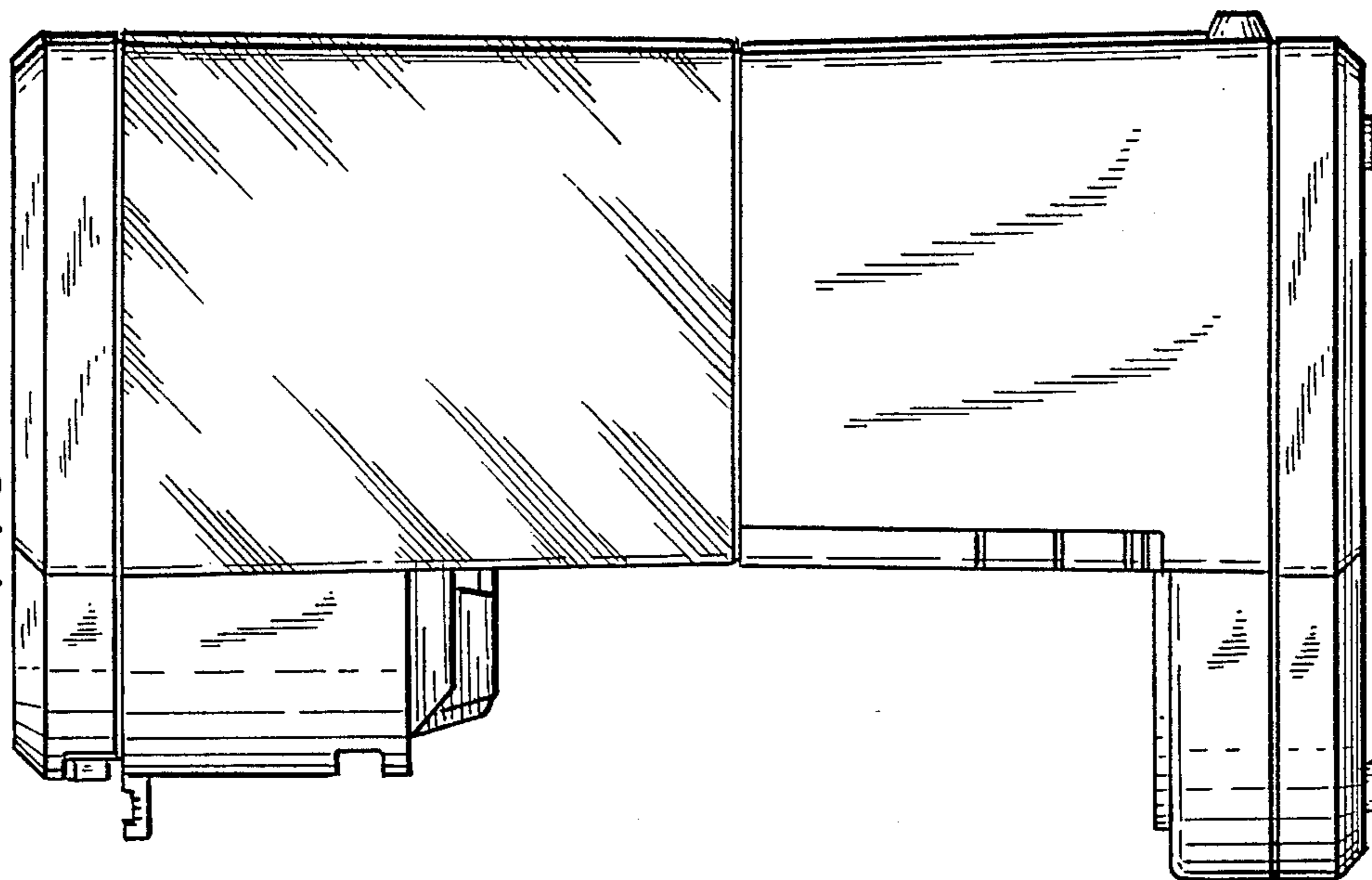


FIG. 1

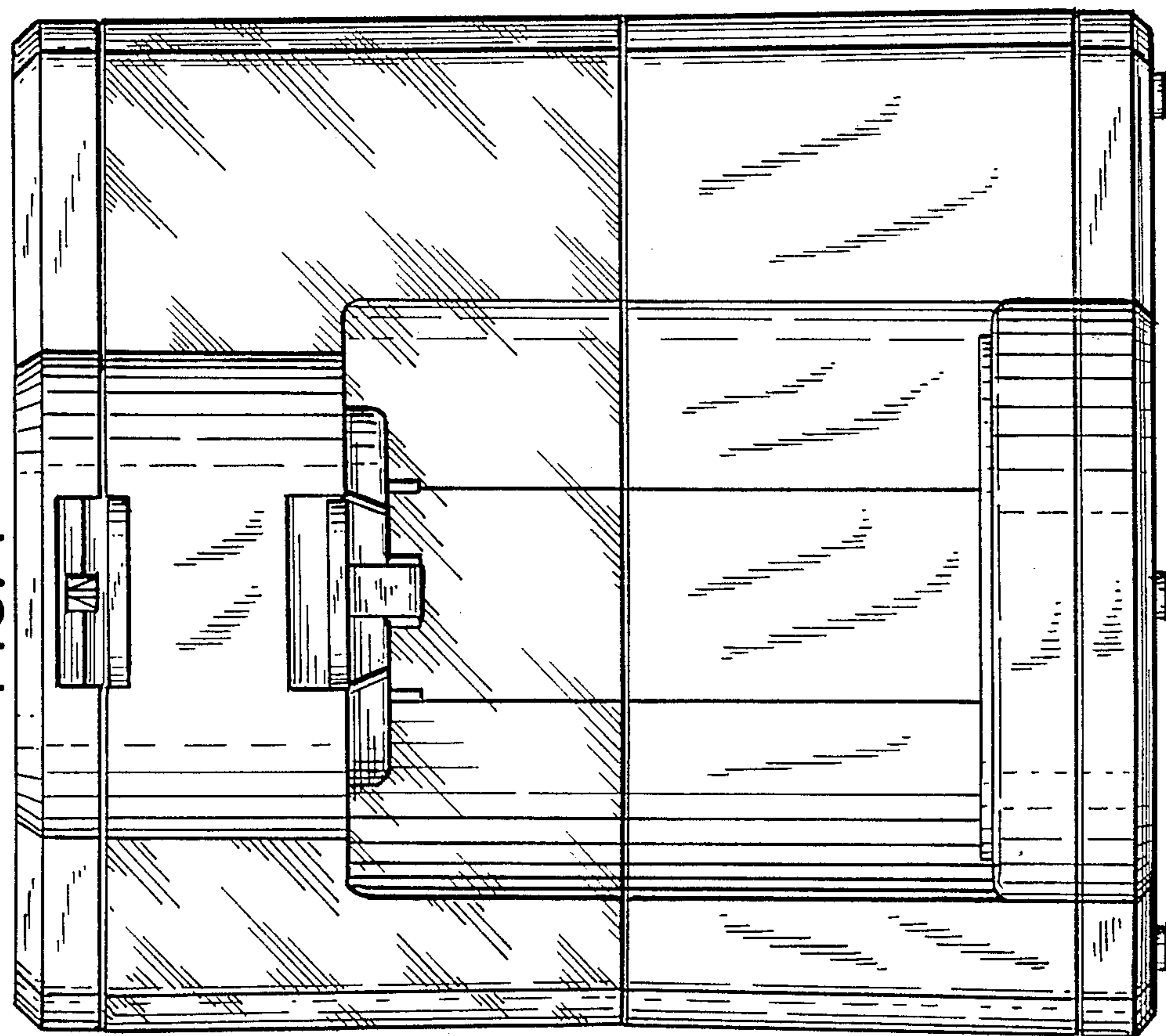


FIG. 3

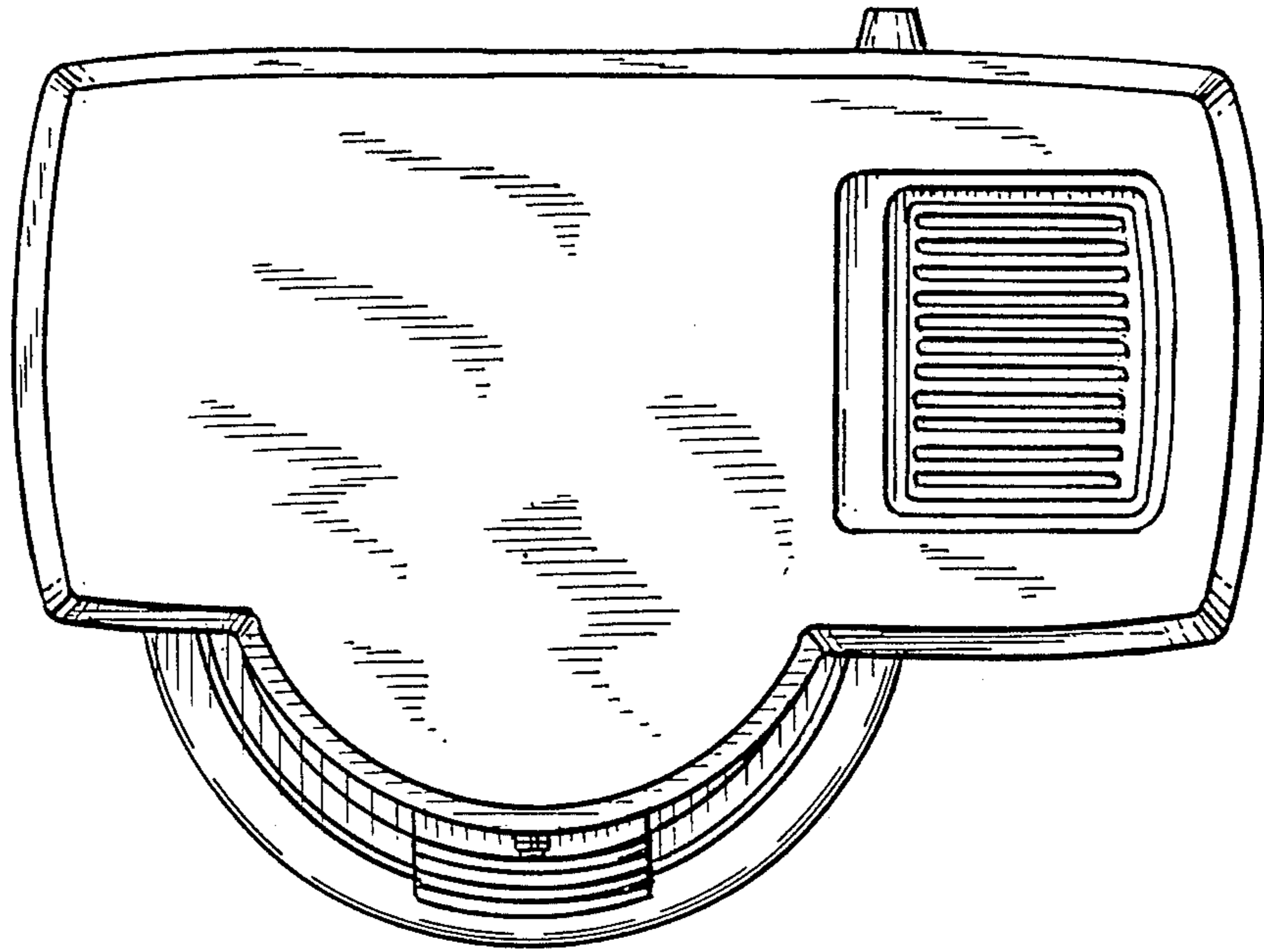


FIG. 4

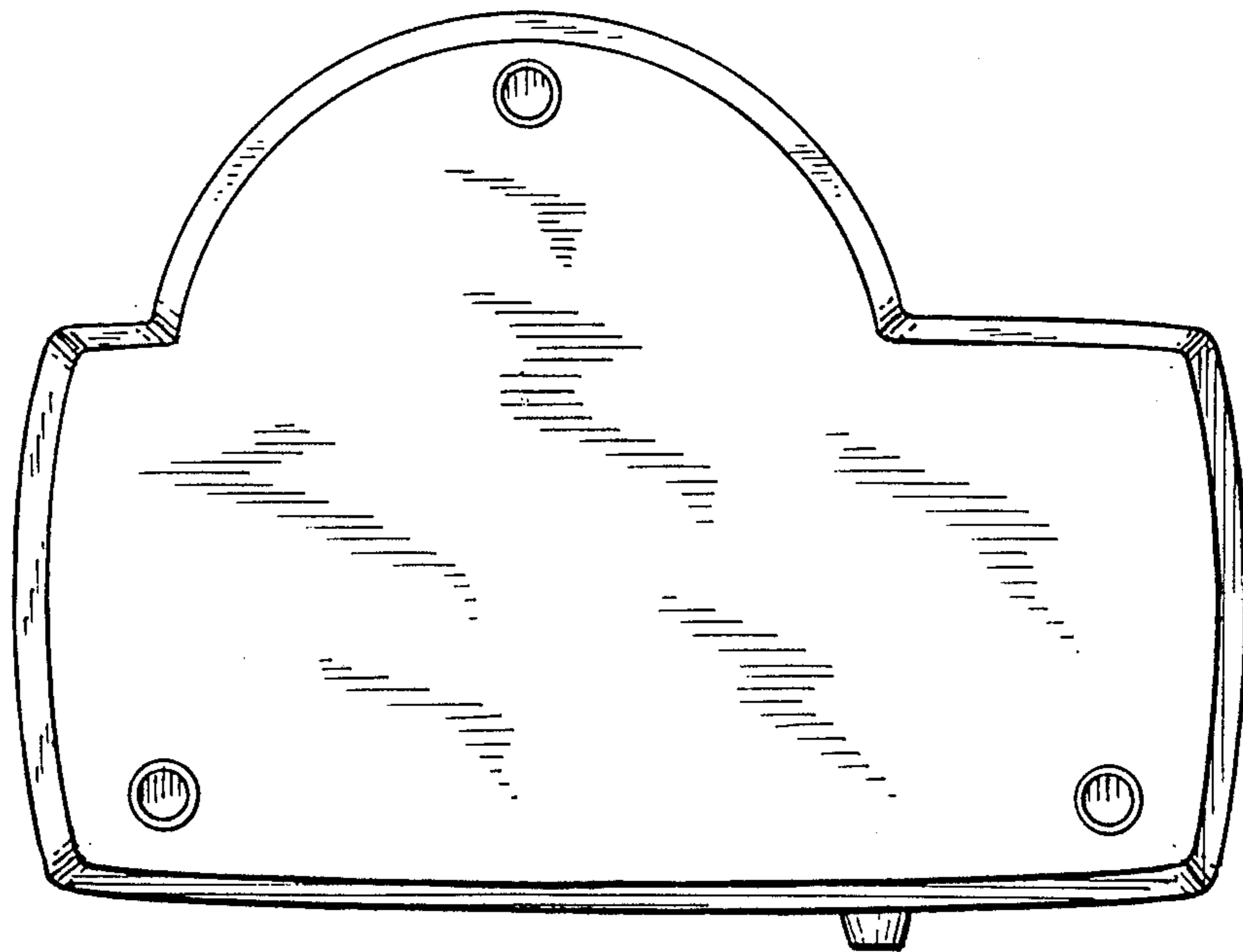


FIG. 6

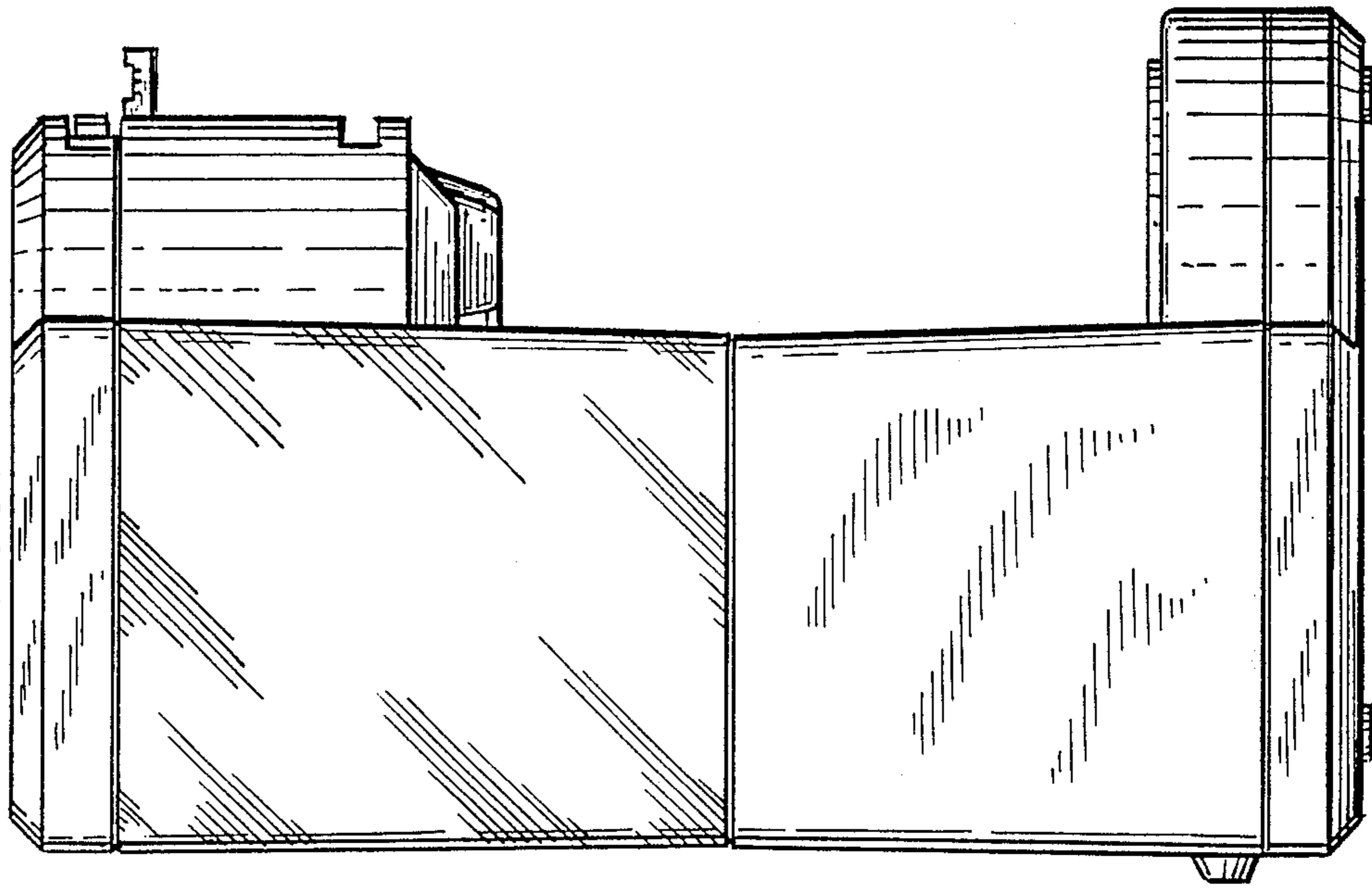


FIG. 5

