

# United States Patent [19]

Ramsey et al.

[11] Patent Number: **Des. 303,471**

[45] Date of Patent: **\*\* Sep. 19, 1989**

[54] TOWEL BAR

[75] Inventors: **Roger H. Ramsey, Copley; Mitchell L. Wilgus, Akron, both of Ohio**

[73] Assignee: **Stanadyne, Inc., Windsor, Conn.**

[\*] Notice: The portion of the term of this patent subsequent to Sep. 19, 2003 has been disclaimed.

[\*\*] Term: **14 Years**

[21] Appl. No.: **3,310**

[22] Filed: **Jan. 13, 1987**

[52] U.S. Cl. .... **D6/549**

[58] Field of Search ..... **D6/512, 524, 546, 549, D6/550; 211/123; 248/251; 108/29**

[56] **References Cited**

### U.S. PATENT DOCUMENTS

D. 27,608	8/1897	Clark	.....	D8/367
D. 66,320	12/1924	Baker	.....	D6/549
D. 121,897	8/1940	Hager	.....	D8/367
D. 206,050	10/1966	Anders	.....	D6/549
D. 256,862	9/1980	Ryan et al.	.....	D6/549
D. 259,753	7/1981	Fleischman et al.	.....	D6/549

D. 296,844	7/1988	Ramsey et al.	.....	D6/323
3,643,884	2/1972	Curtin	.....	242/55.2

### OTHER PUBLICATIONS

Amerock Catalogue (1984), p. 14, Towel Rod and Tissue Holder.

Londonware Catalogue (1981), p. 7, "Wall Accessory Group".

*Primary Examiner*—Wallace R. Burke

*Assistant Examiner*—Brian N. Vinson

*Attorney, Agent, or Firm*—Kinzer, Plyer, Dorn, McEachran & Jambor

[57] **CLAIM**

The ornamental design for a towel bar, as shown and described.

### DESCRIPTION

FIG. 1 is a front elevational view of a towel bar showing our new design;

FIG. 2 is a left side elevational view thereof;

FIG. 3 is a right side elevational view thereof;

FIG. 4 is a top plan view thereof; and

FIG. 5 is a bottom plan view thereof.

The bar element is shown broken-away in FIGS. 1, 4 and 5 to indicate indeterminate length.

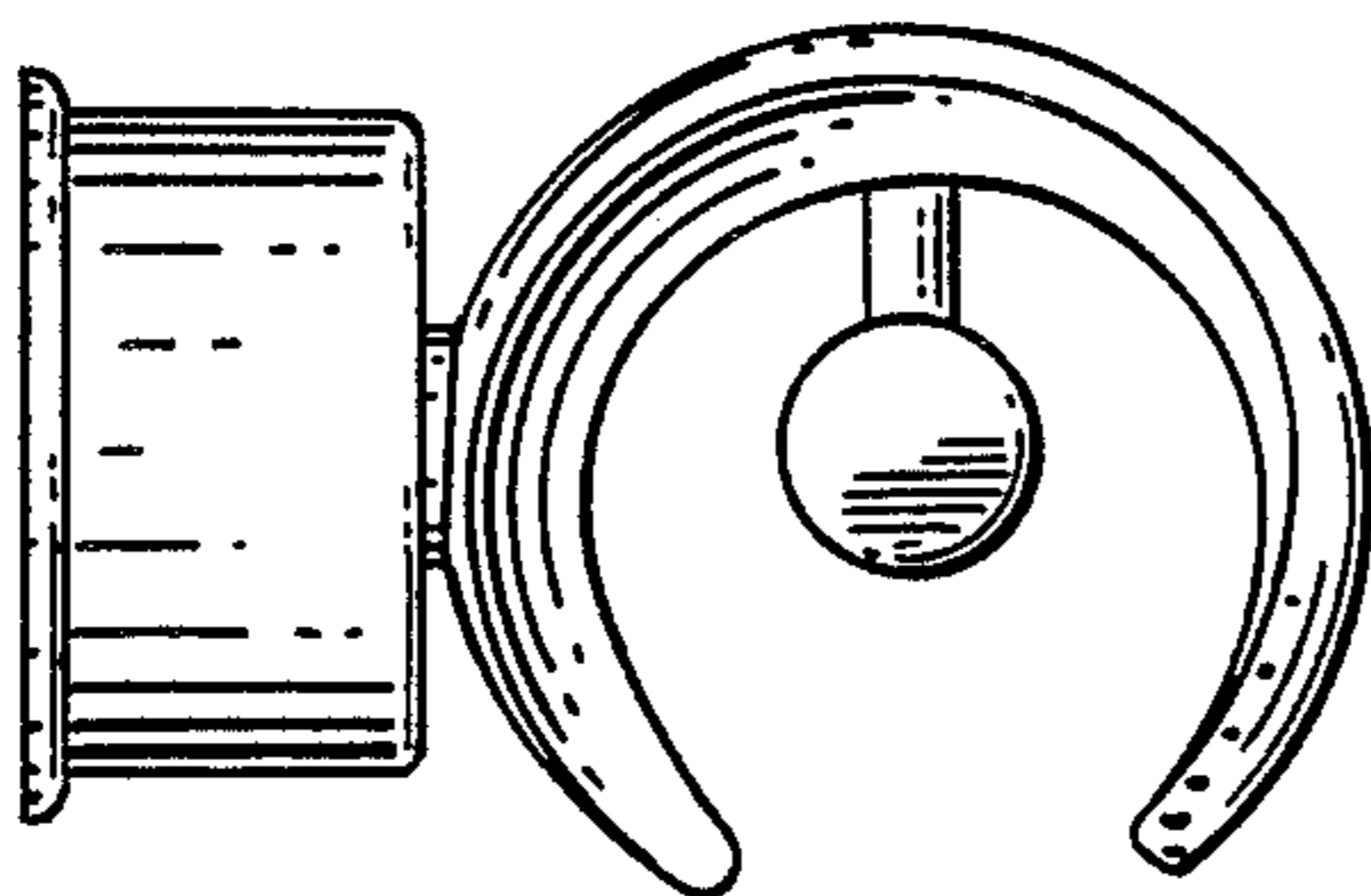
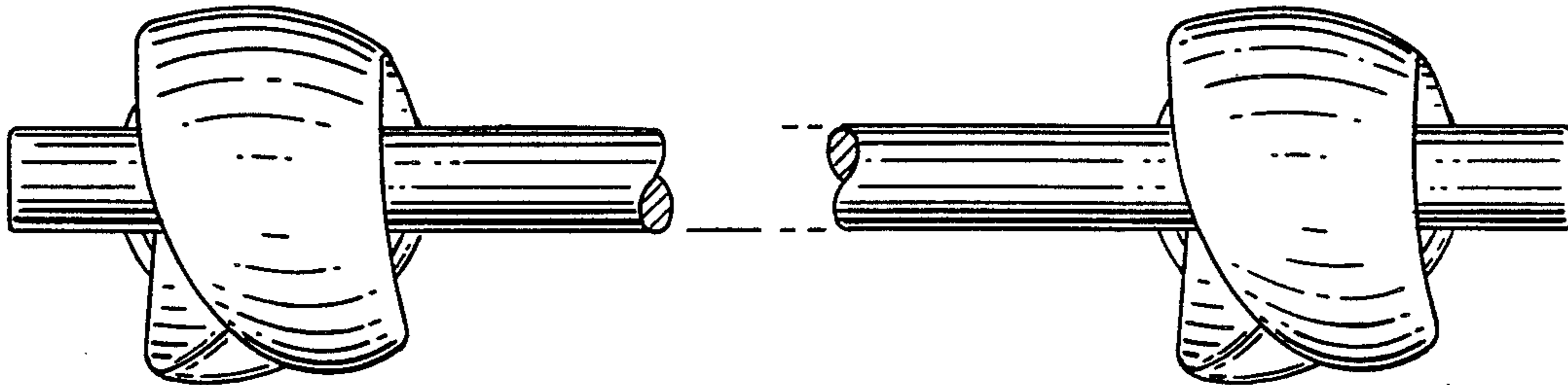


FIG. 1.

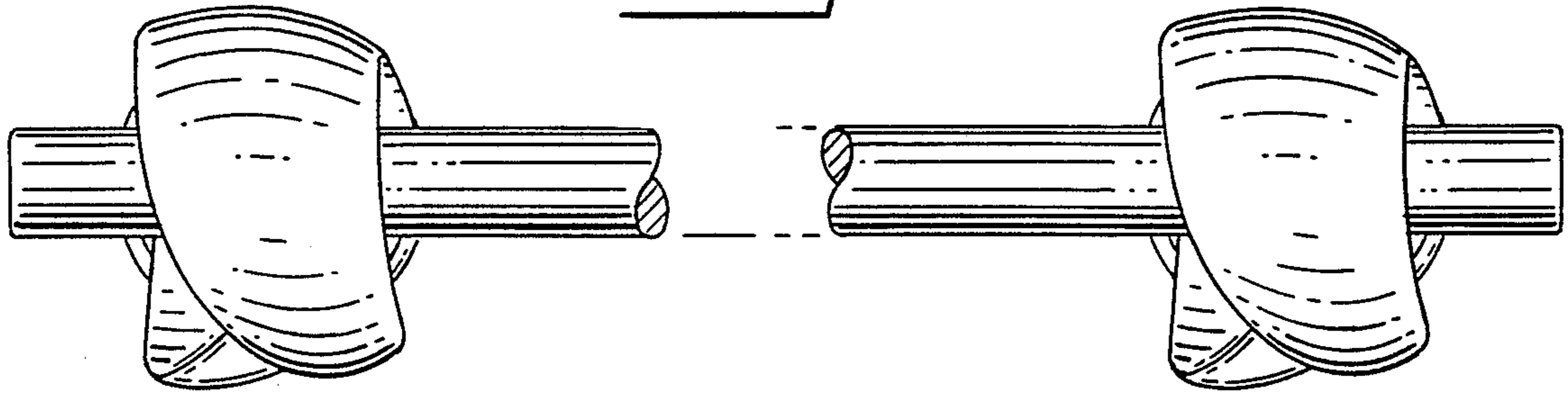


FIG. 2.

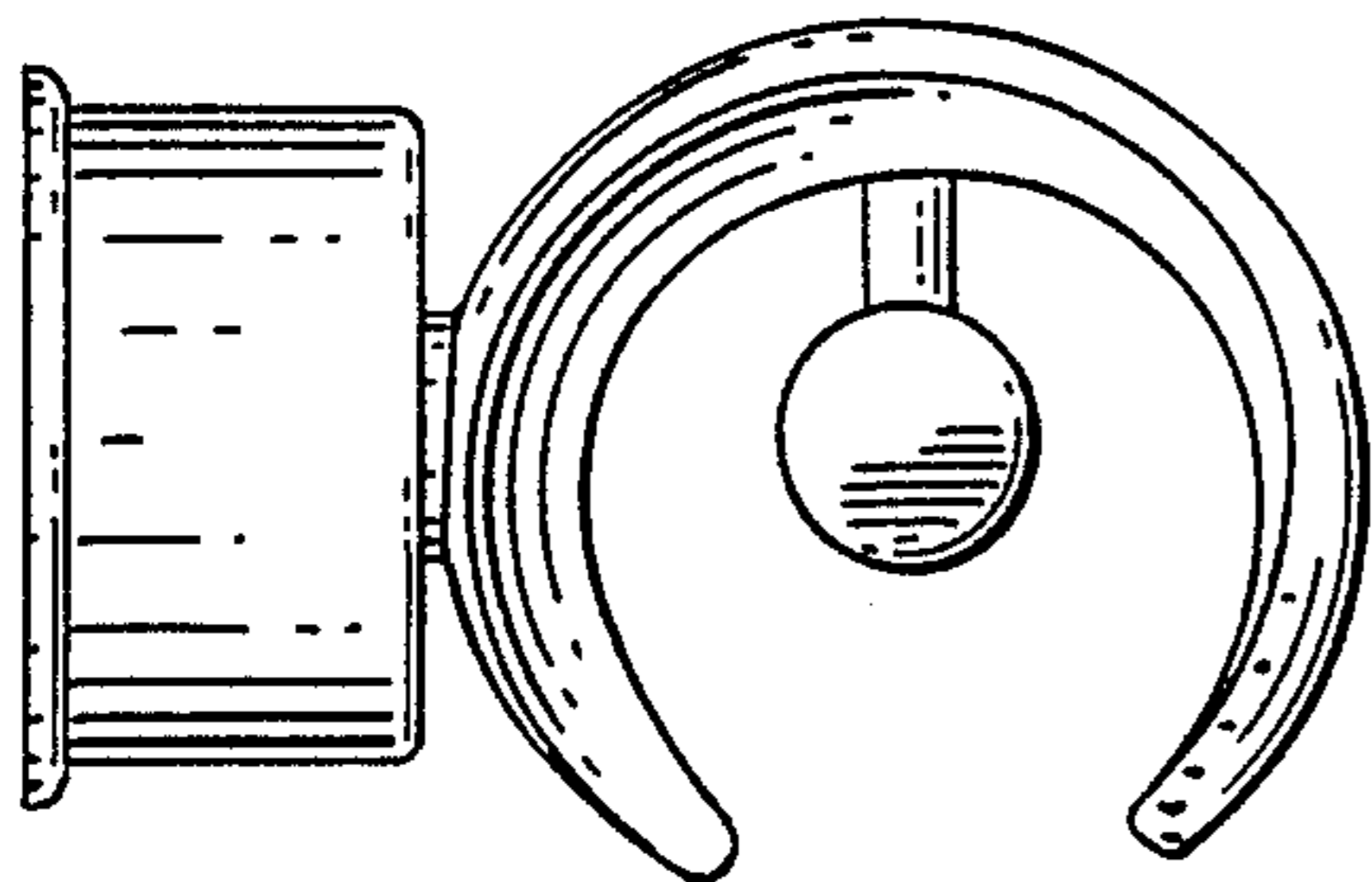


FIG. 3.

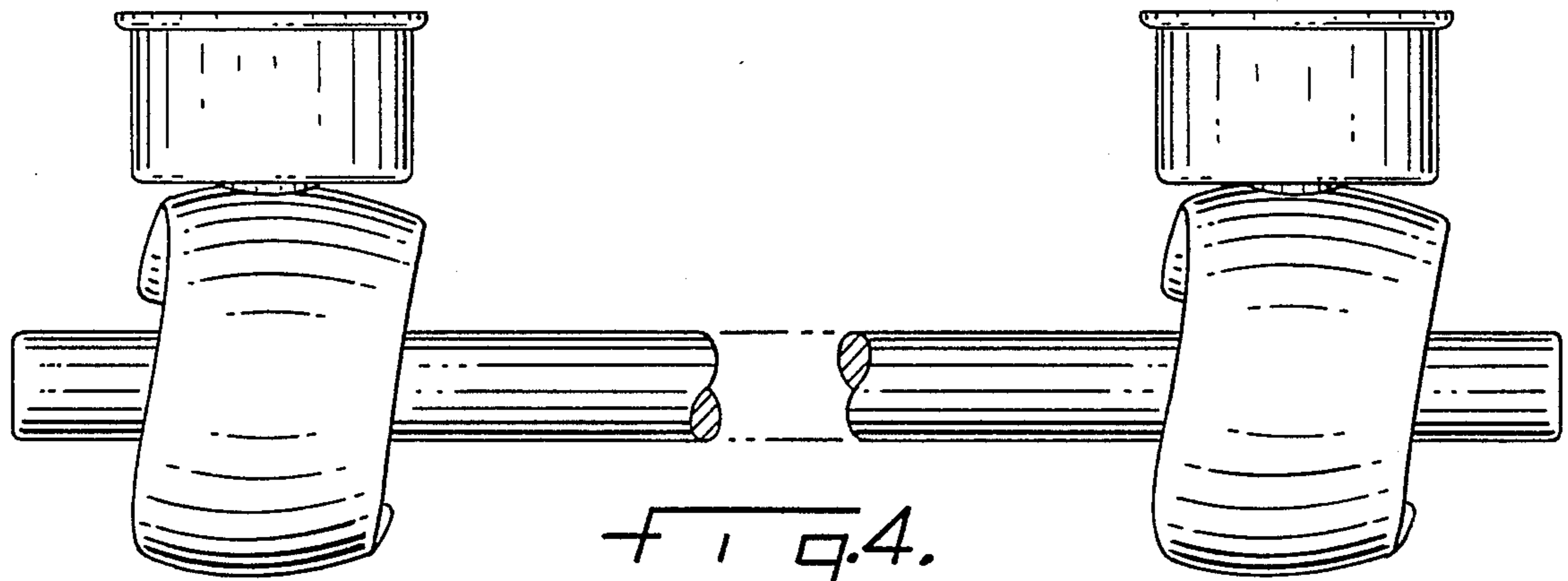
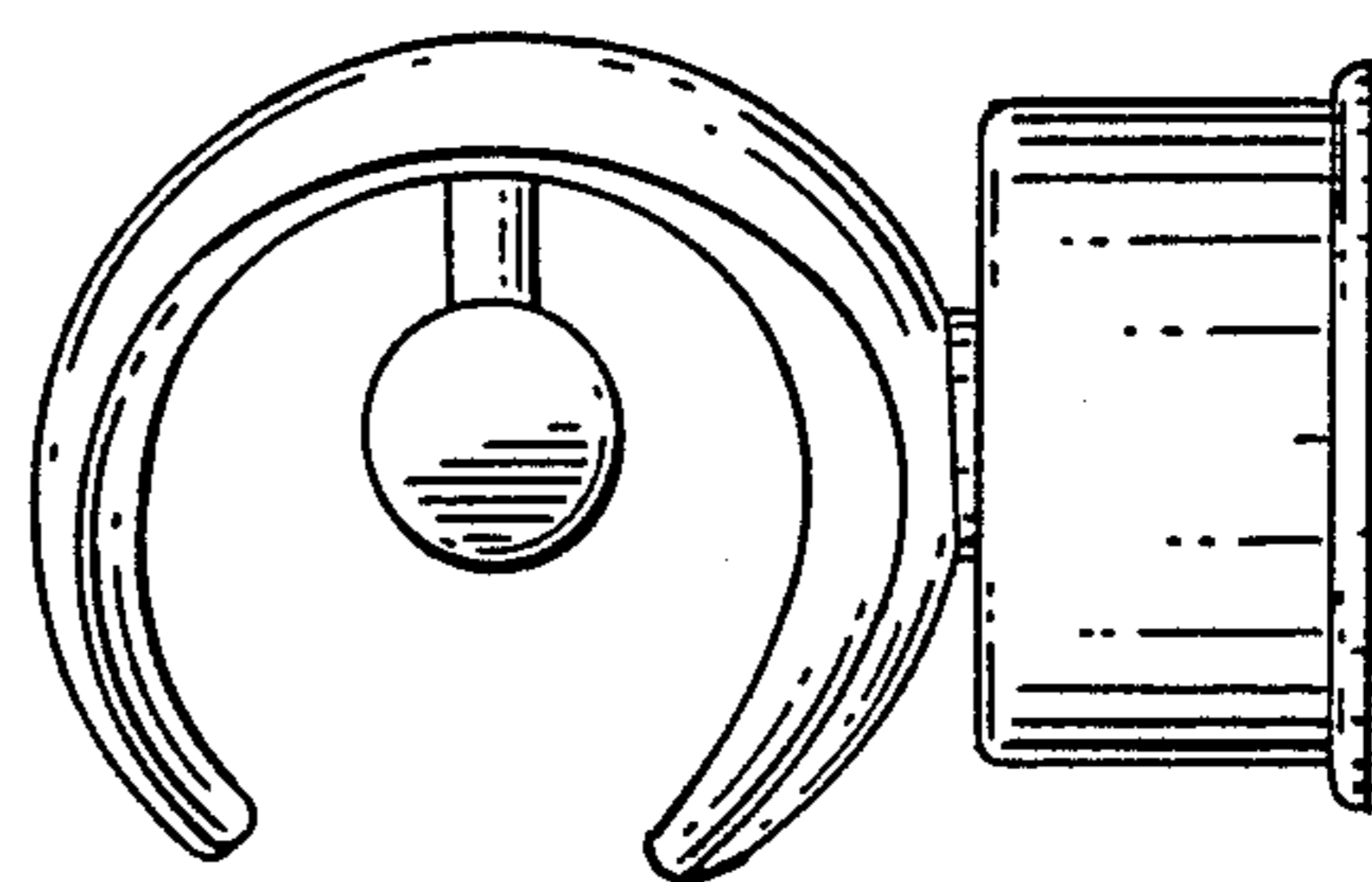


FIG. 4.

FIG. 5.

