

[54] TOWEL RACK

[75] Inventor: Regina Razumov, San Diego, Calif.

[73] Assignee: Harden Industries, Inc., Los Angeles, Calif.

[**] Term: 14 Years

[21] Appl. No.: 141,883

[22] Filed: Jan. 11, 1988

[52] U.S. Cl. D6/546; D6/566

[58] Field of Search D6/512, 524, 546, 548-549, D6/553, 566, 574; 108/29; 211/16, 123, 90, 204

[56] References Cited

U.S. PATENT DOCUMENTS

D. 43,274	11/1912	Goodwin	D6/553	X
D. 276,388	11/1984	Miller et al.	D6/548	
2,633,998	4/1953	Derman	108/29	X
3,295,471	1/1967	Cook	211/106	X

OTHER PUBLICATIONS

Tubular Specialties Catalogue (1983) p. 15, No. 815, "Towel Rack".

Tubular Specialties Catalogue, 2424-S "Straddle Bar".

Primary Examiner—Wallace R. Burke

Assistant Examiner—Brian N. Vinson

Attorney, Agent, or Firm—Matthew F. Jodziewicz

[57] CLAIM

The ornamental design for a towel rack, as shown and described.

DESCRIPTION

FIG. 1 is a front elevational view of a towel rack, showing my new design;

FIG. 2 is a left side elevational view thereof, the right side being a mirror image of that shown;

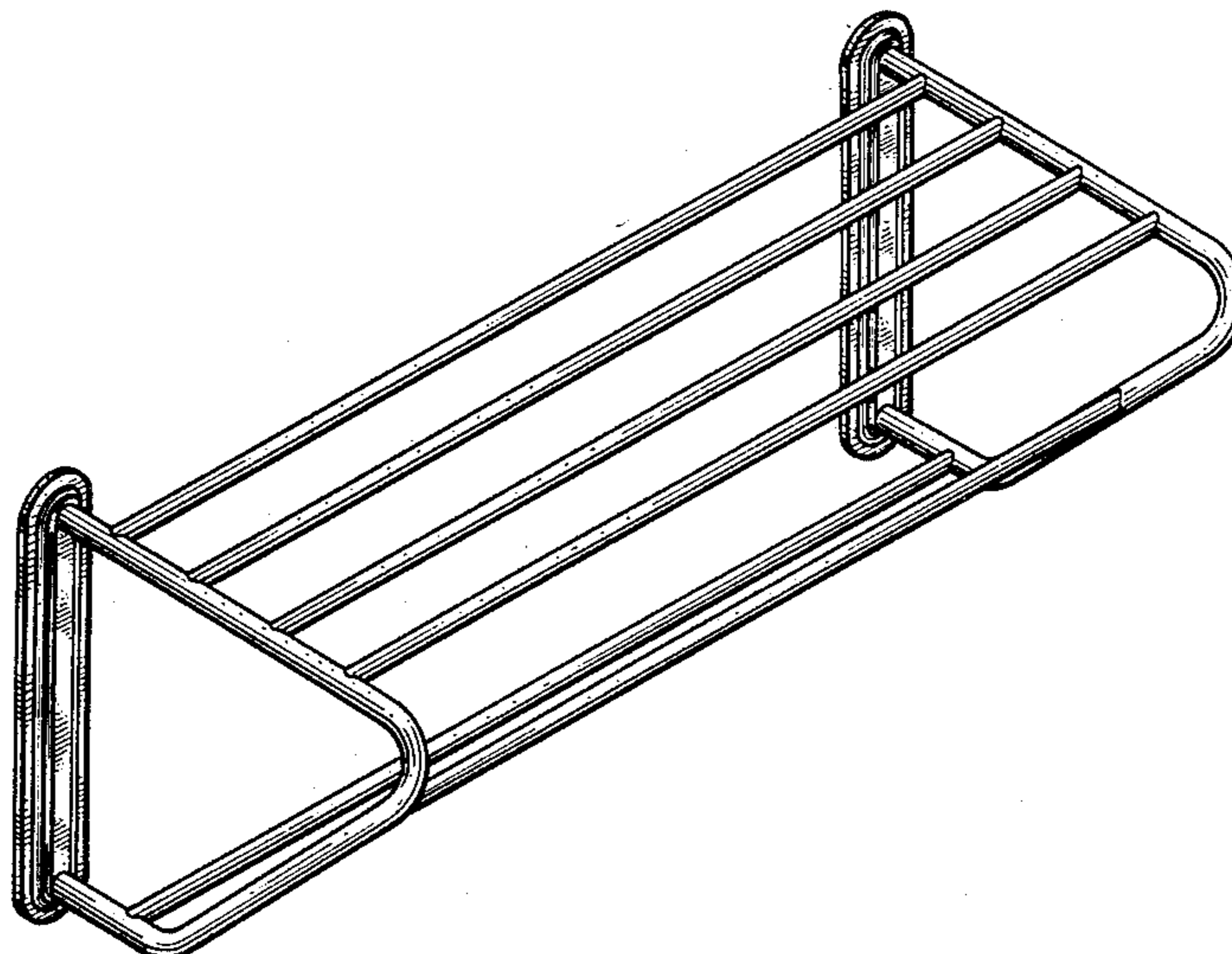
FIG. 3 is a rear elevational view thereof;

FIG. 4 is a top plan view thereof;

FIG. 5 is a bottom plan thereof;

FIG. 6 is a vertical cross-sectional view thereof, taken in the direction of line 6—6 of FIG. 1; and

FIG. 7 is a perspective view thereof.



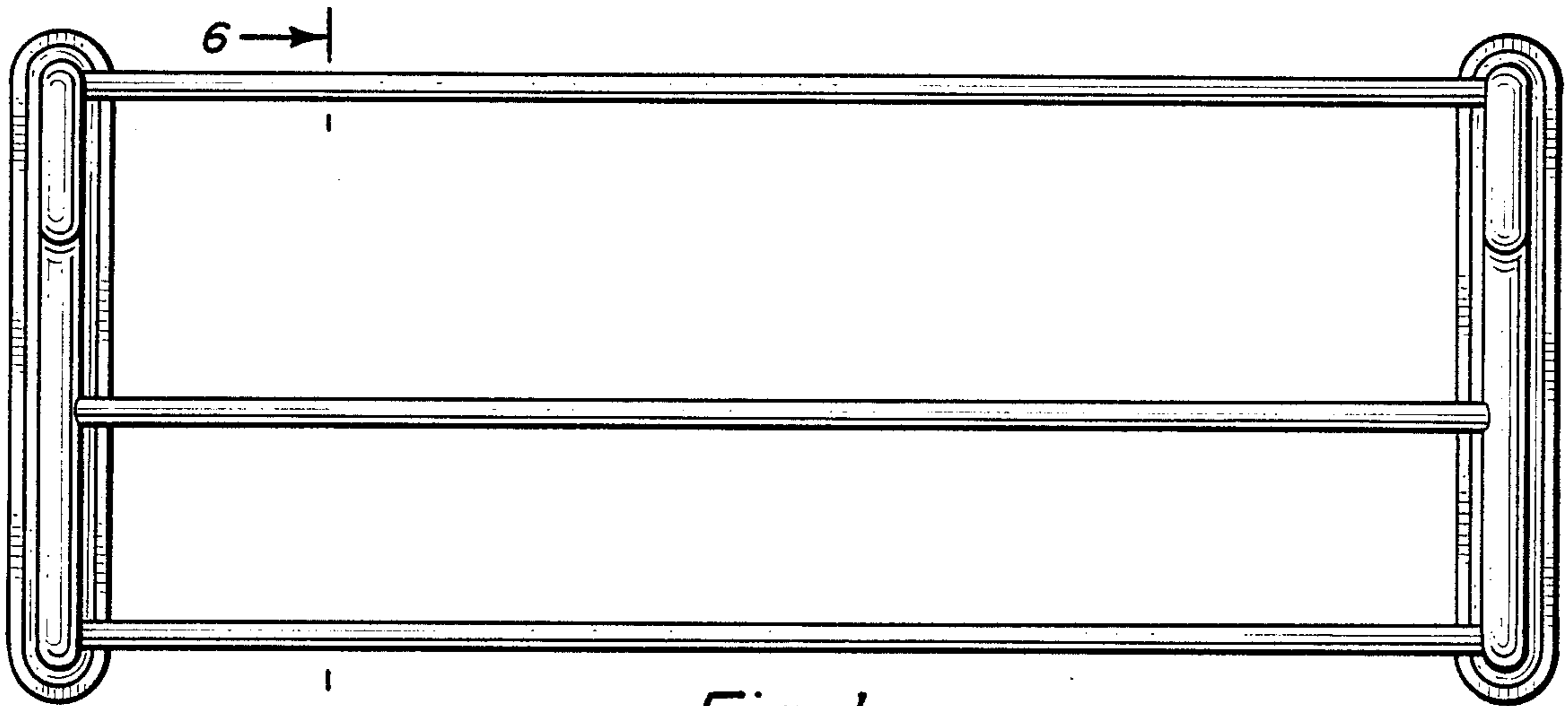


Fig. 1.

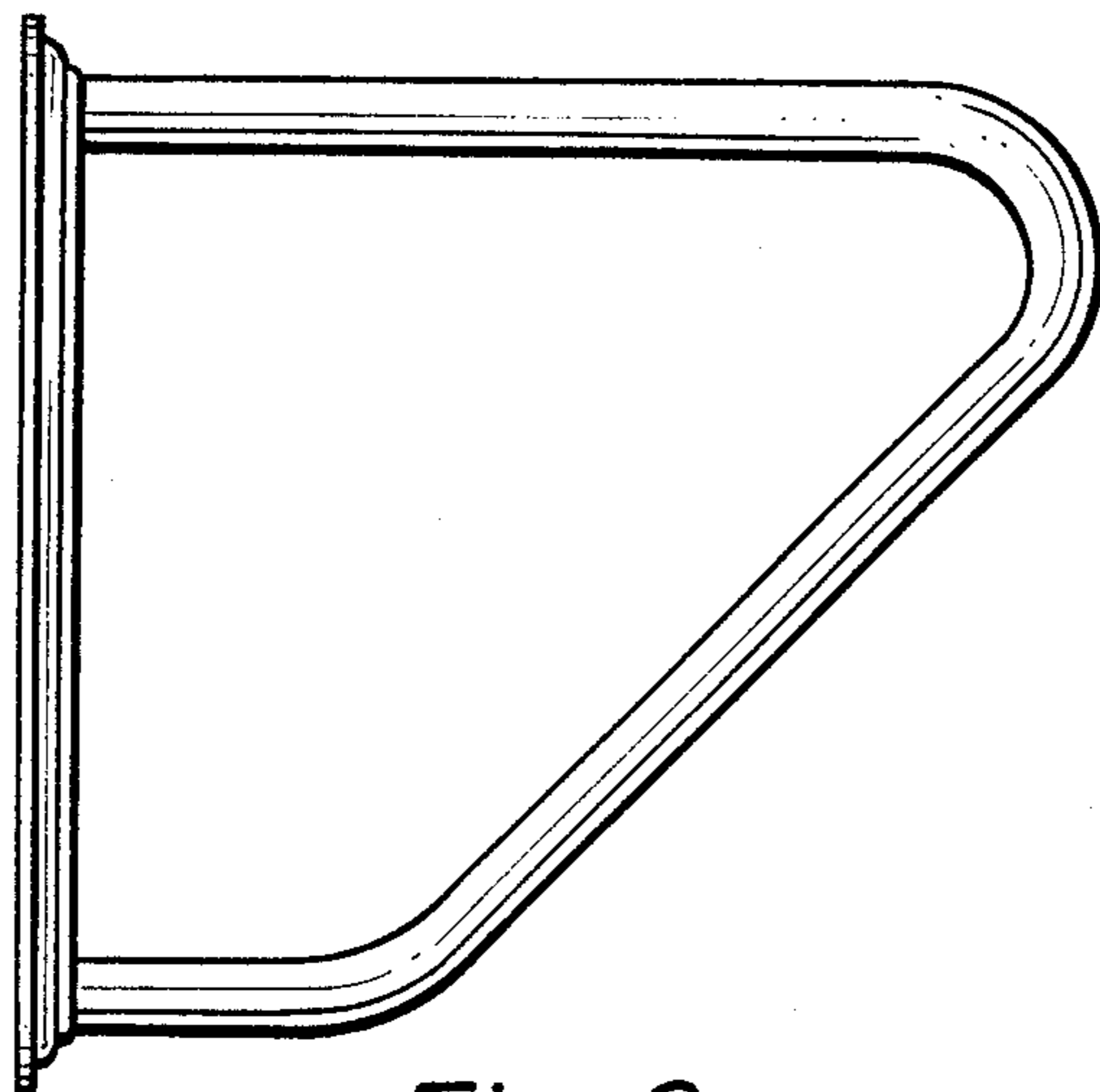
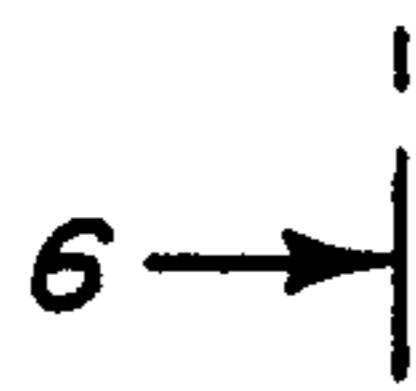


Fig. 2.

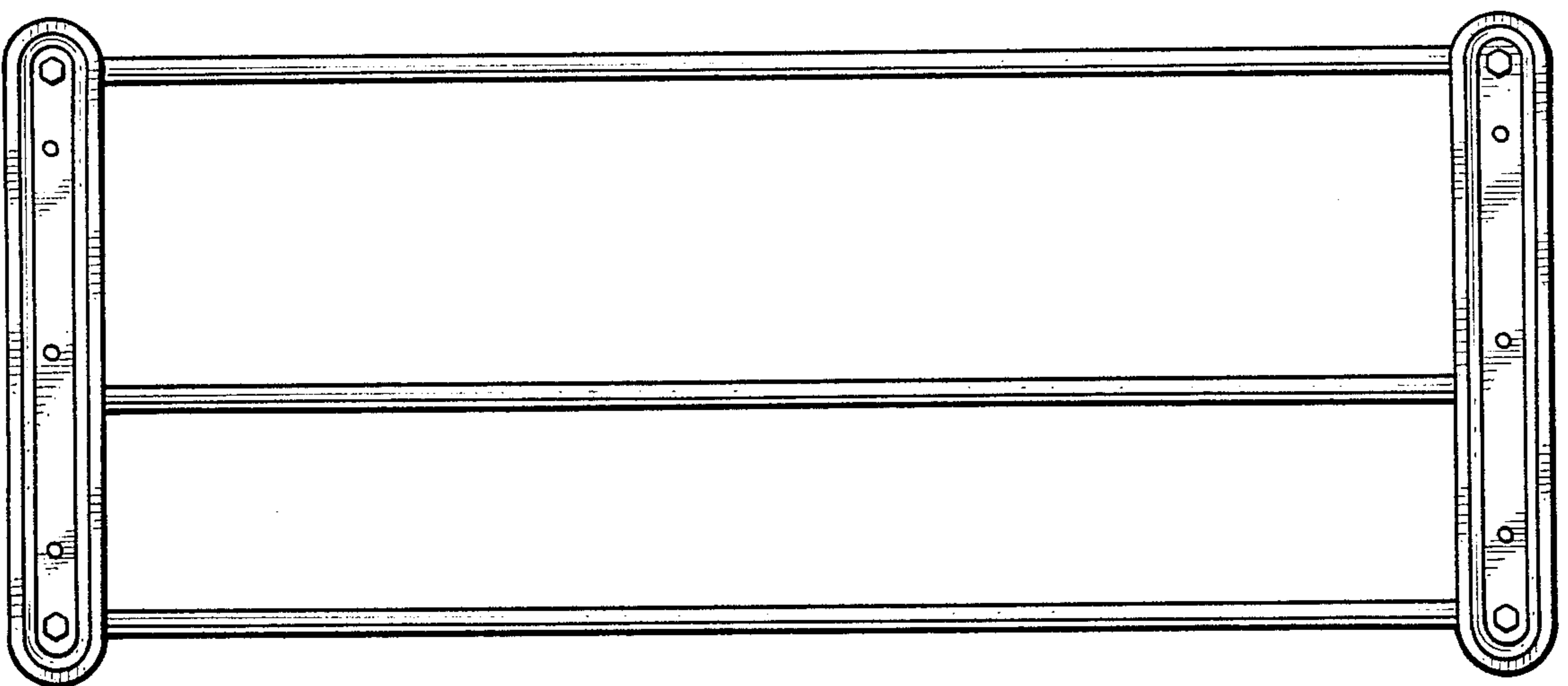


Fig. 3.

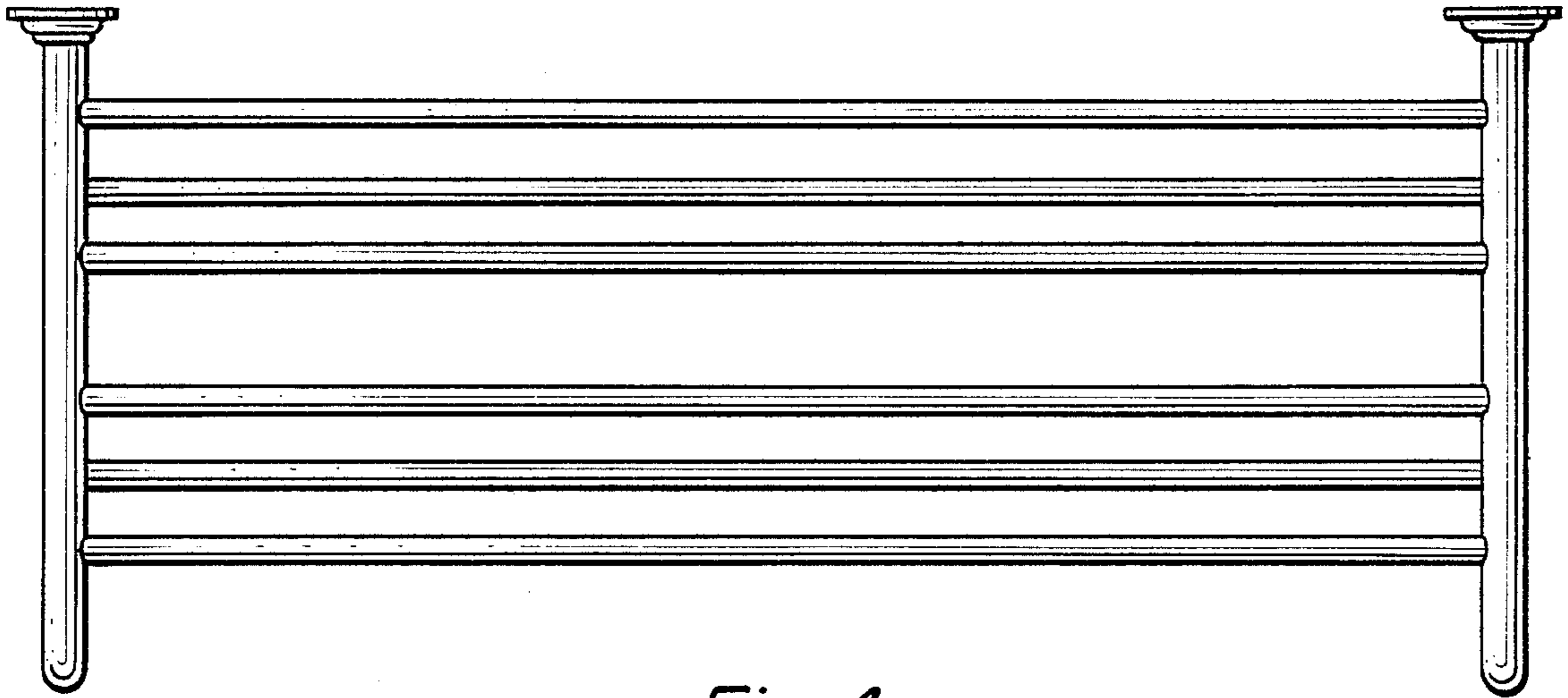


Fig. 4.

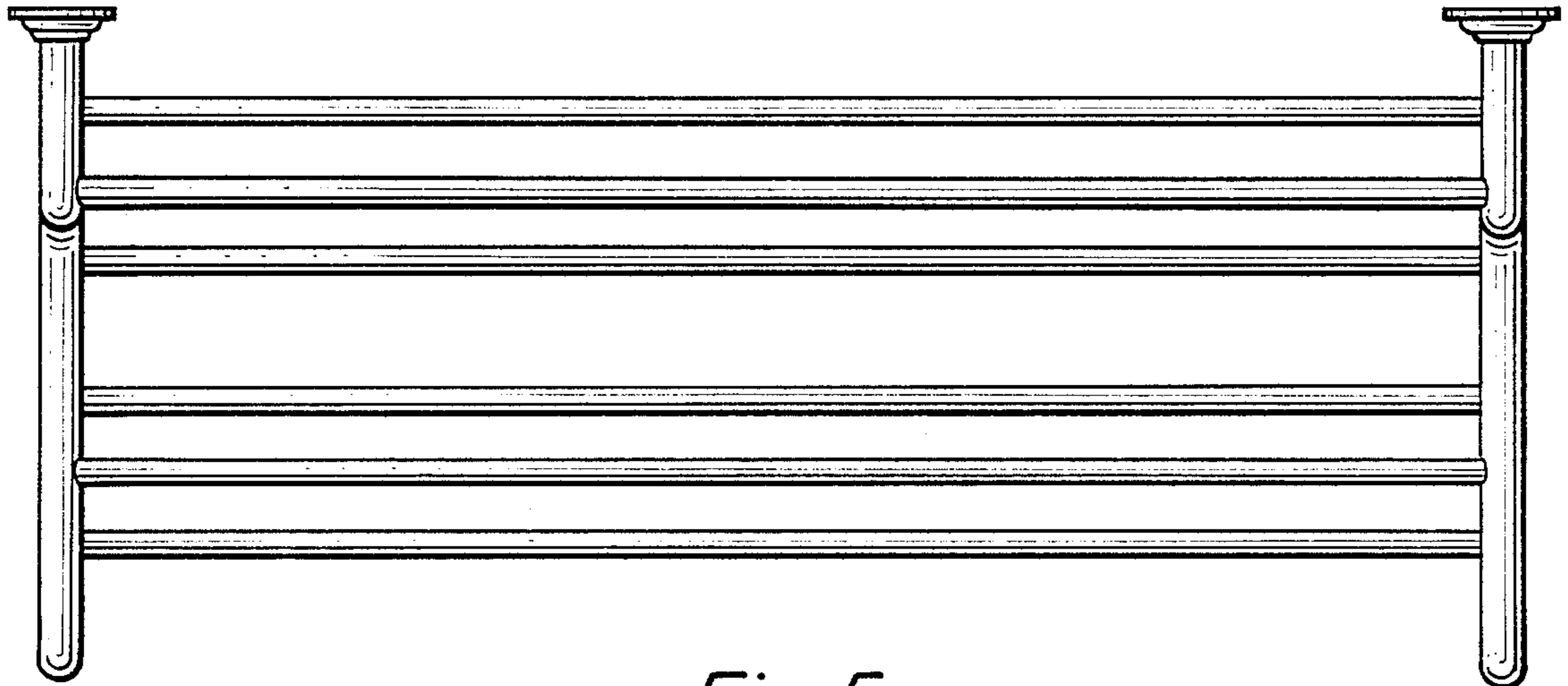


Fig. 5.

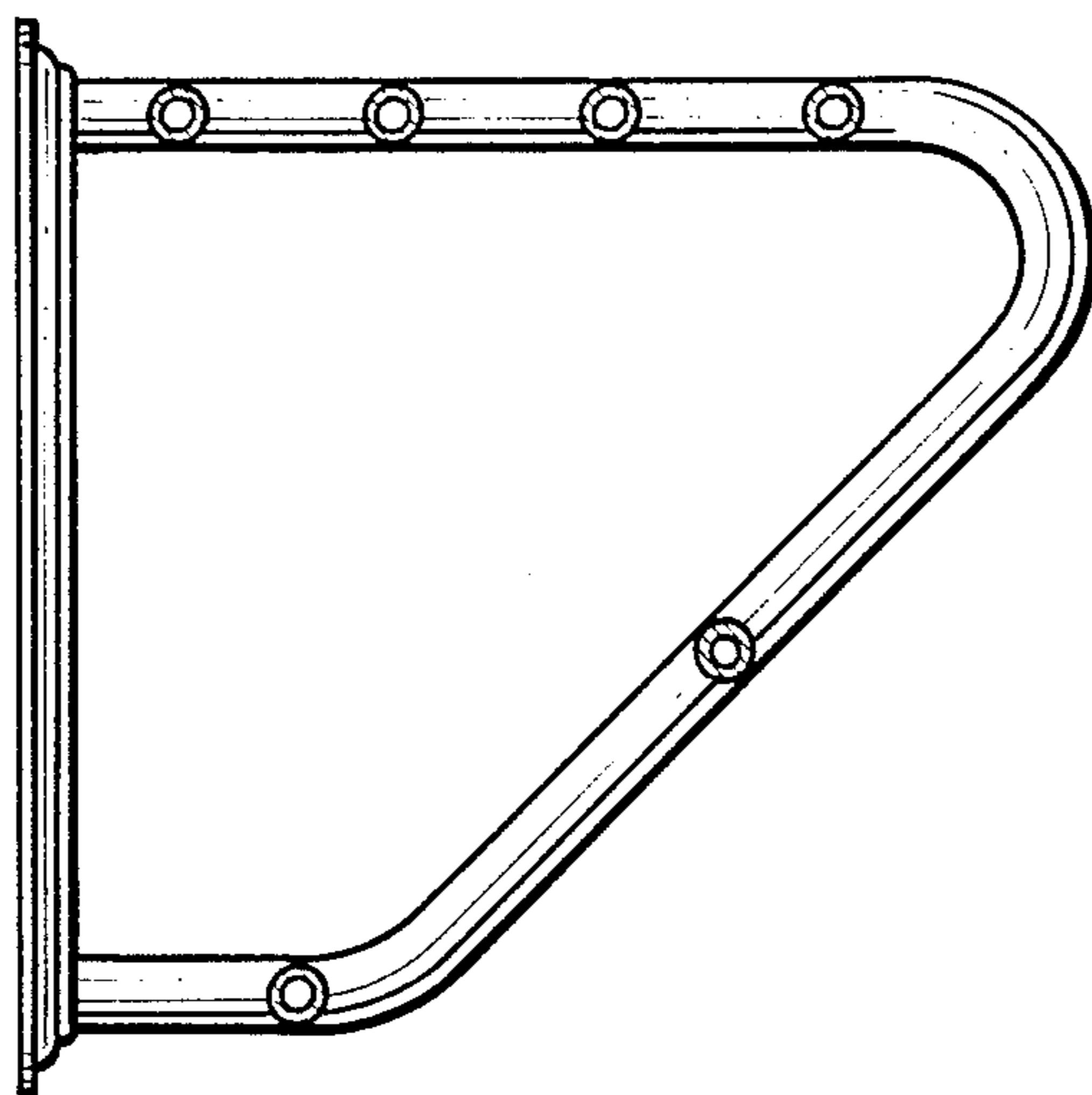


Fig. 6.

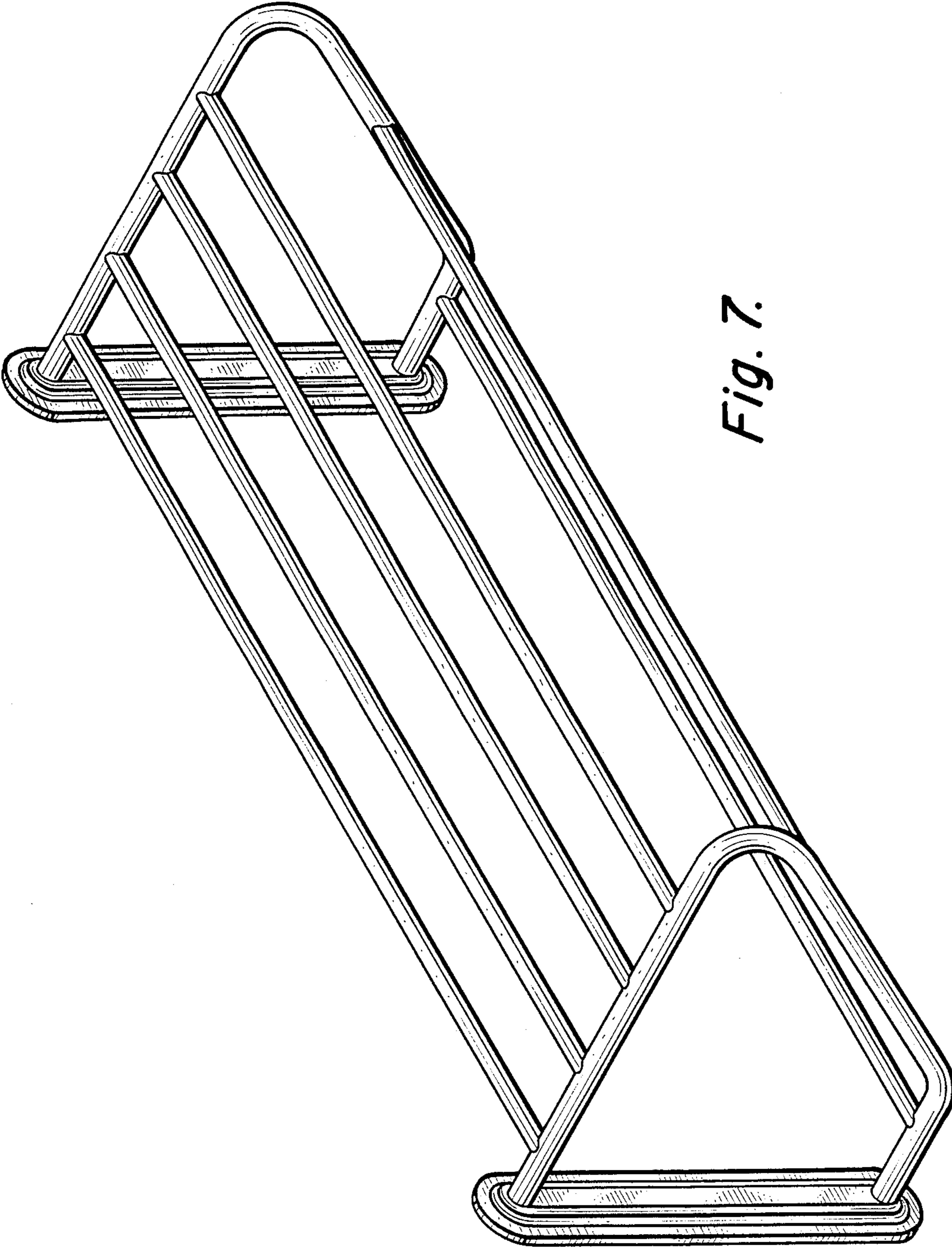


Fig. 7.