

United States Patent [19]

Ramsey et al.

[11] Patent Number: Des. 303,469

[45] Date of Patent: ** Sep. 19, 1989

[54] TOWEL RING

[75] Inventors: Roger H. Ramsey, Copley; Mitchell L. Wilgus, Akron, both of Ohio

[73] Assignee: Stanadyne, Inc., Windsor, Conn.

[*] Notice: The portion of the term of this patent subsequent to Sep. 19, 2003 has been disclaimed.

[**] Term: 14 Years

[21] Appl. No.: 3,312

[22] Filed: Jan. 13, 1987

[52] U.S. Cl. D6/546

[58] Field of Search D6/512, 524, 546, 550; 211/123, 16; 248/251; 108/29; D8/367

[56] References Cited

U.S. PATENT DOCUMENTS

D. 27,608 8/1897 Clark D8/367
D. 121,897 8/1940 Hager D8/367
D. 162,393 3/1951 Donaldson D6/546

D. 262,842 2/1982 Morey D6/546
D. 296,844 7/1988 Ramsey et al. D6/323
2,576,873 11/1951 Zelov 211/16 X

OTHER PUBLICATIONS

Londonware Catalogue (1981) p. 7—"Wall Accessory Group".

Primary Examiner—Wallace R. Burke
Assistant Examiner—Brian N. Vinson
Attorney, Agent, or Firm—Kinzer, Plyer, Dorn, McEachran & Jambor

[57] CLAIM

The ornamental design for a towel ring, as shown and described.

DESCRIPTION

FIG. 1 is a front elevational view of a towel ring showing our new design;
FIG. 2 is a left side elevational view thereof;
FIG. 3 is a right side elevational view thereof;
FIG. 4 is a top plan view thereof; and
FIG. 5 is a bottom plan view thereof.

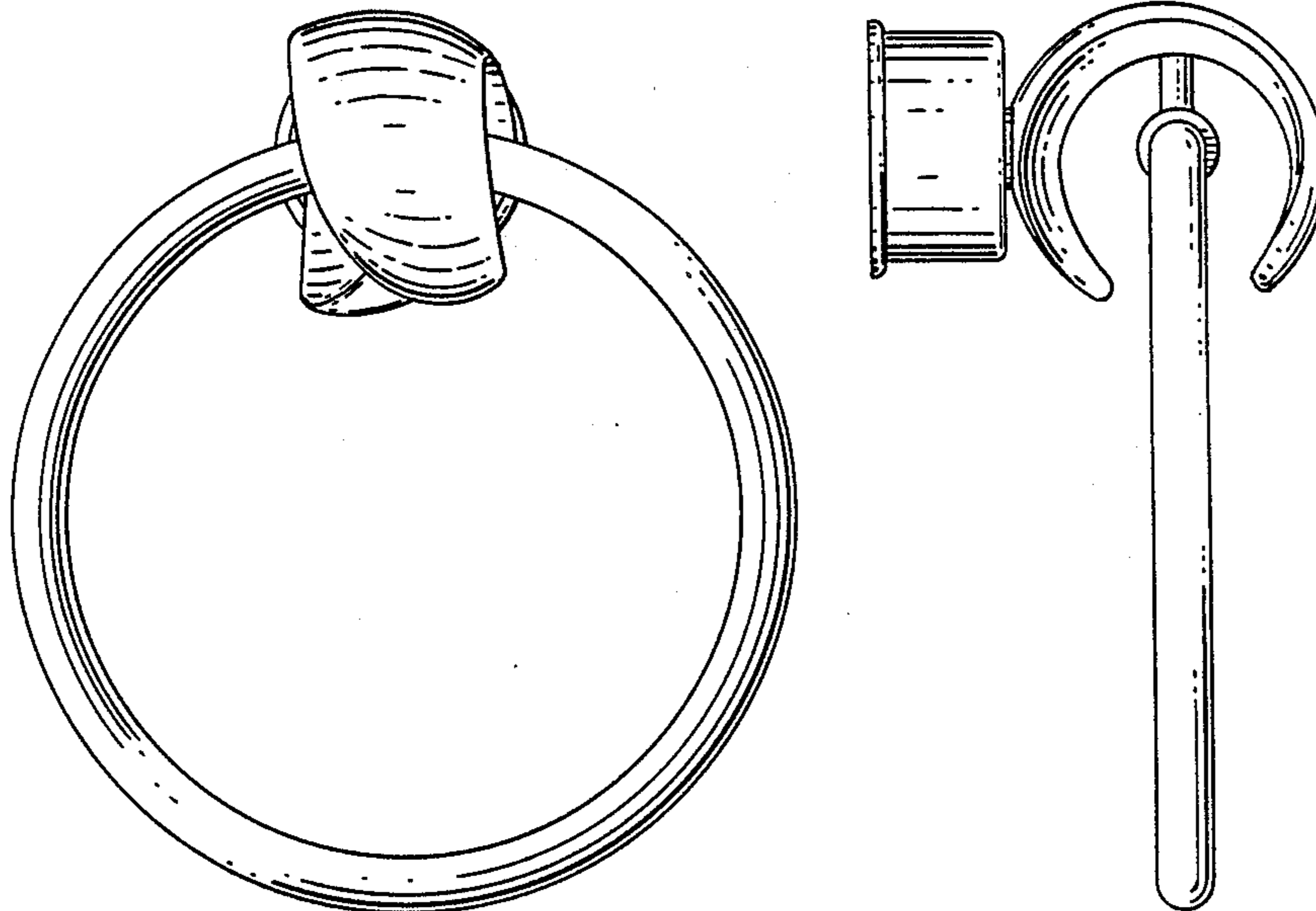


FIG. 1.

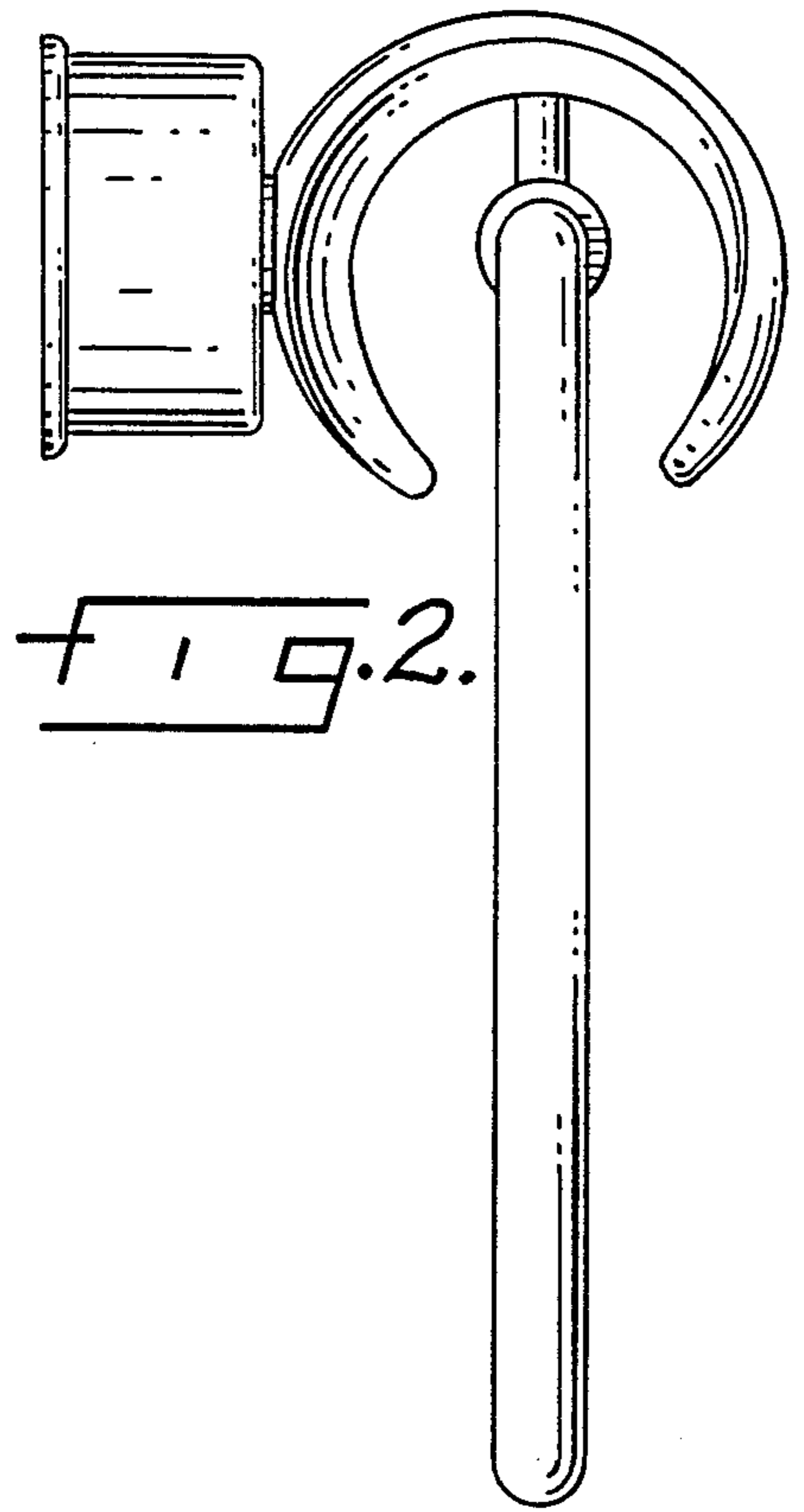
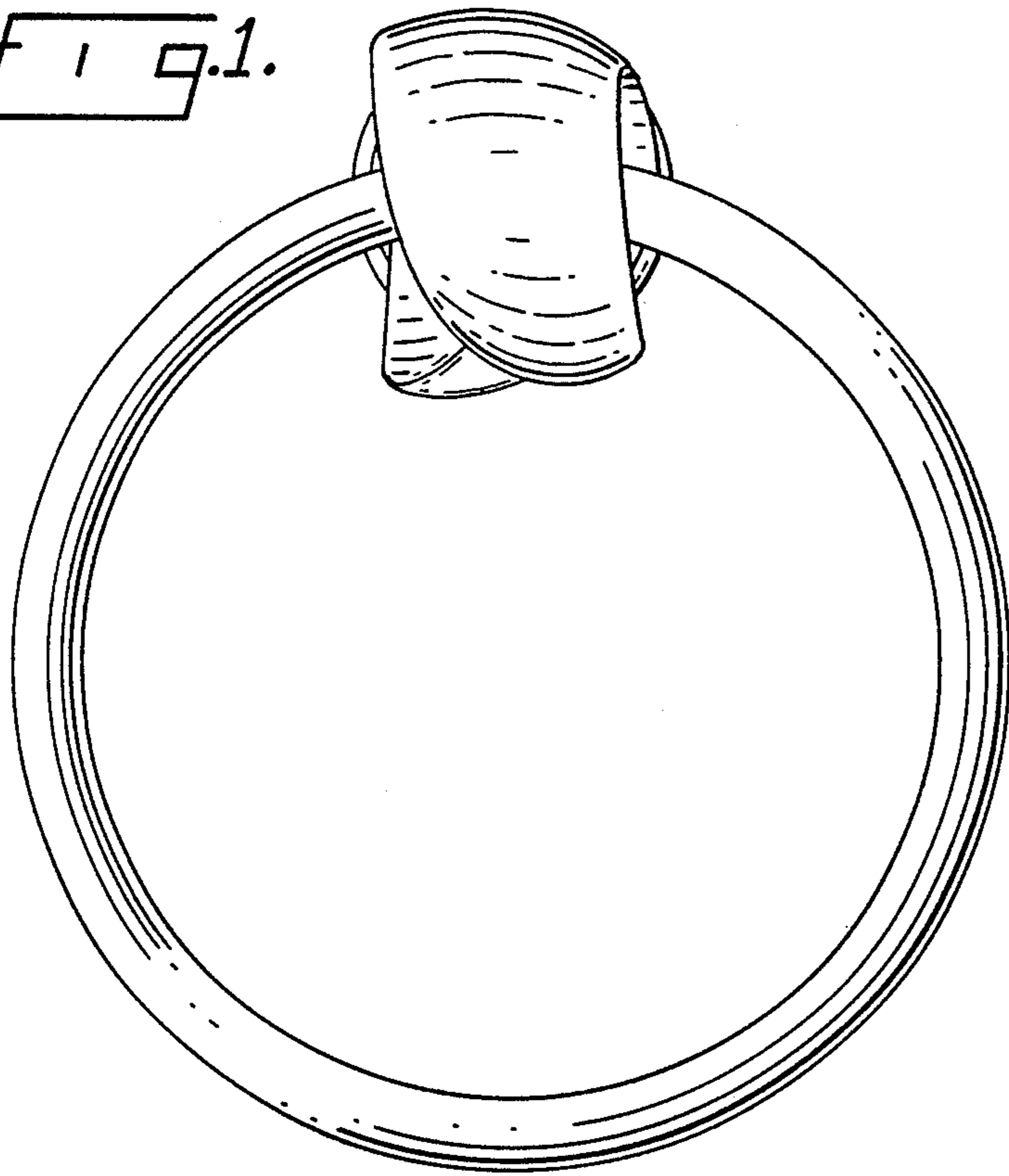


FIG. 2.

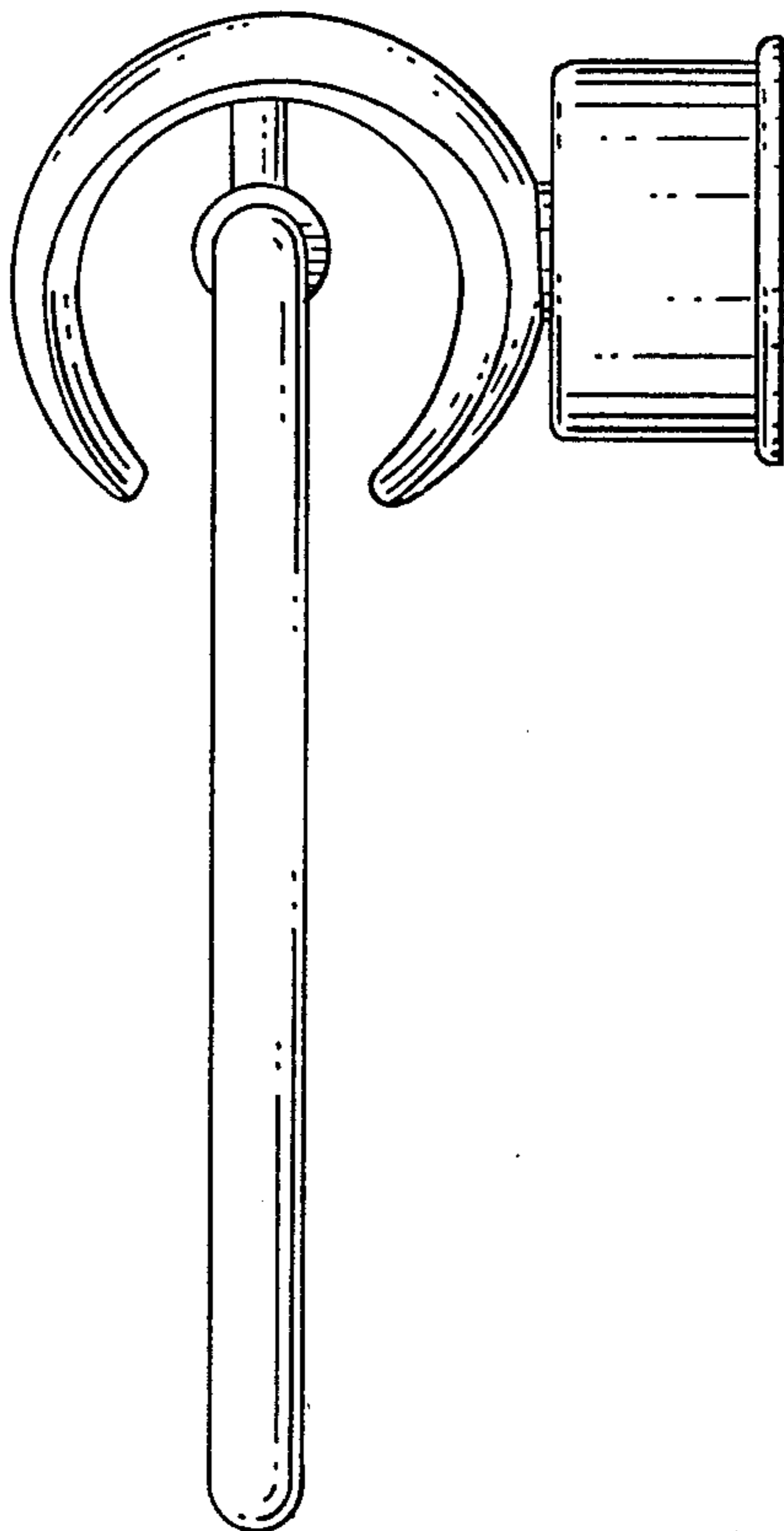


FIG. 3.

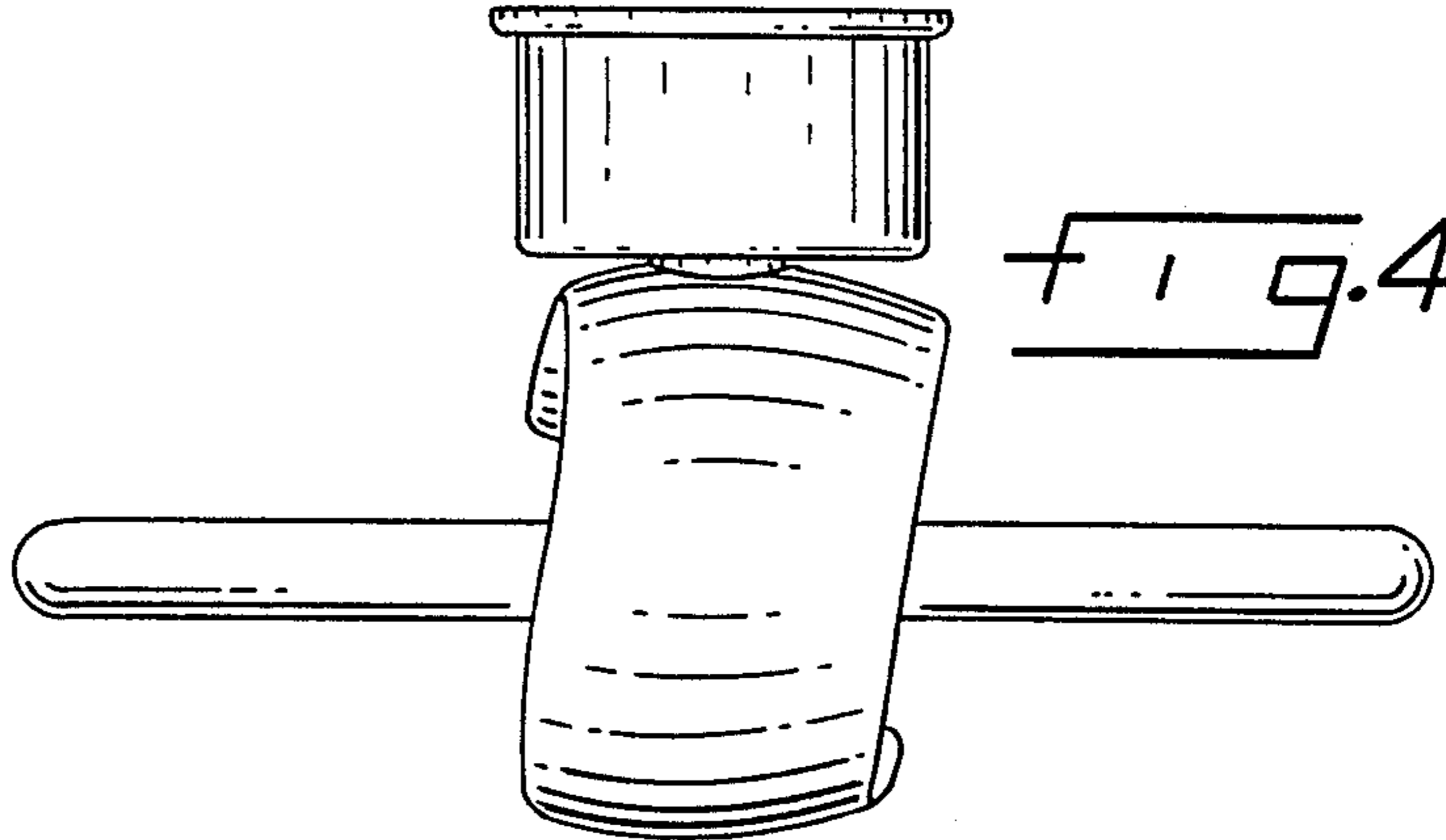


FIG. 4.

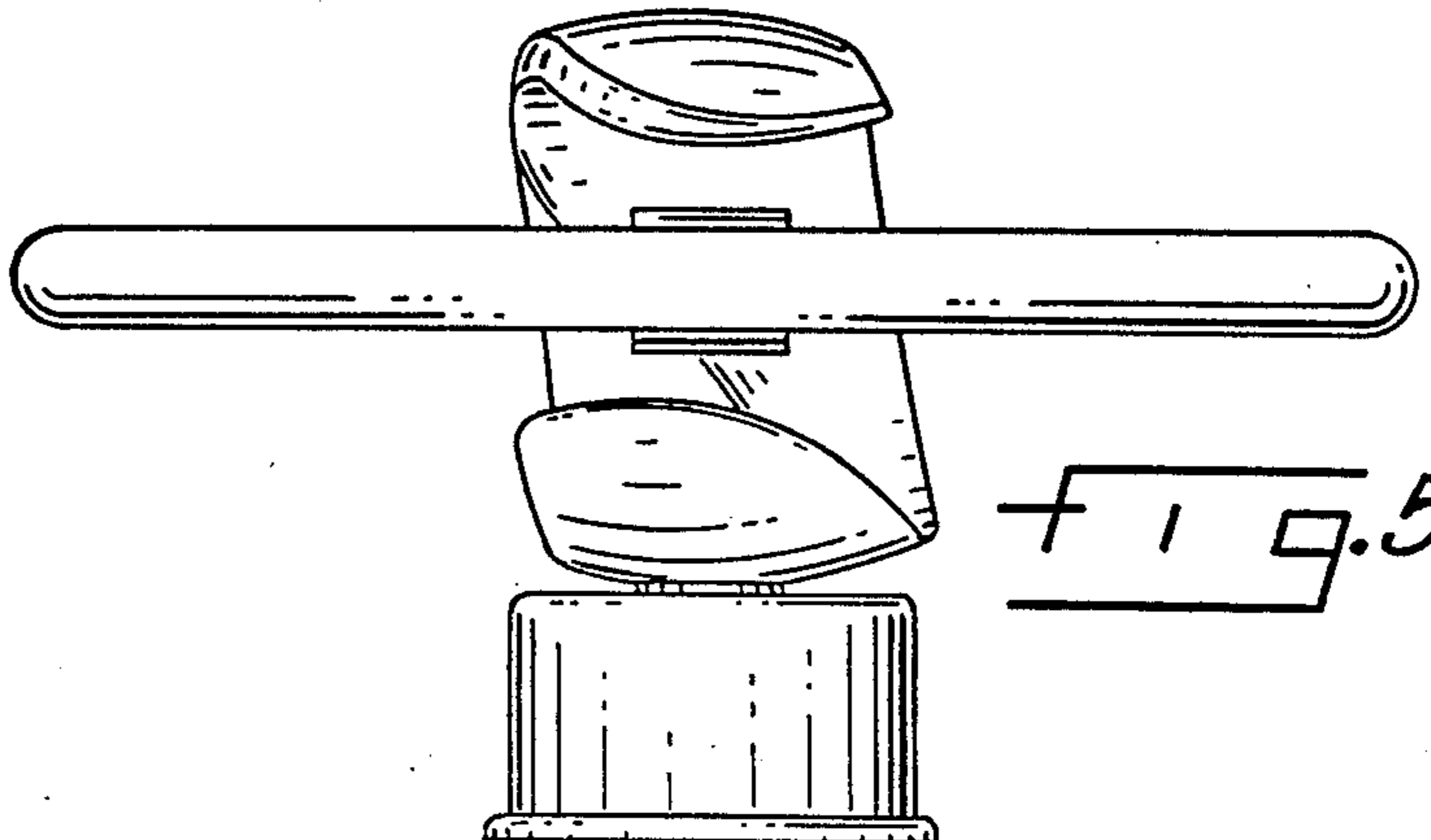


FIG. 5.